

CORE

MILANO

WALL

One of the original curved-canopy range hoods, Milano has become an icon by virtue of its timeless design. Including Zephyr's DCBL Suppression System®, Milano takes range hood design and performance to higher

grounds. Outfitted with two Bloom™ HD LED light bulbs and electronic LCD controls, Milano is as relevant today as it was the day we introduced it in 2001. Canopies available in clear glass and stainless steel.

ZEPHYR

ZEPHYRONLINE.COM

DCBL
SUPPRESSION SYSTEM®

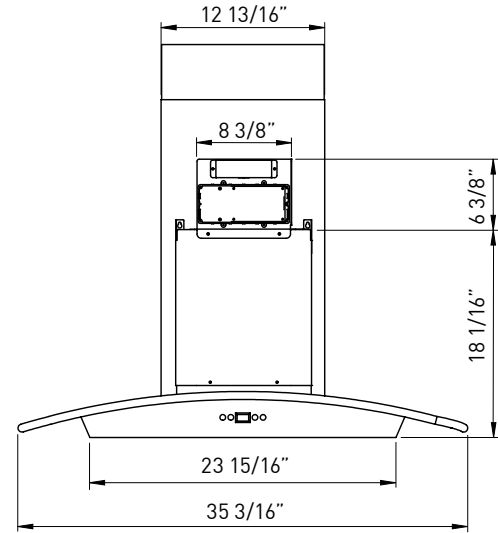
ACT™

Min. - Max. CFM	INTERNAL BLOWER STANDARD	INTERNAL BLOWER with ACT™ AIRFLOW CONTROL TECHNOLOGY™*		
	250 - 715	250 - 590	250 - 390	250 - 290
Min. - Max. Sones	0.8 - 5.8	0.8 - 4.5	0.8 - 3	0.8 - 1.2

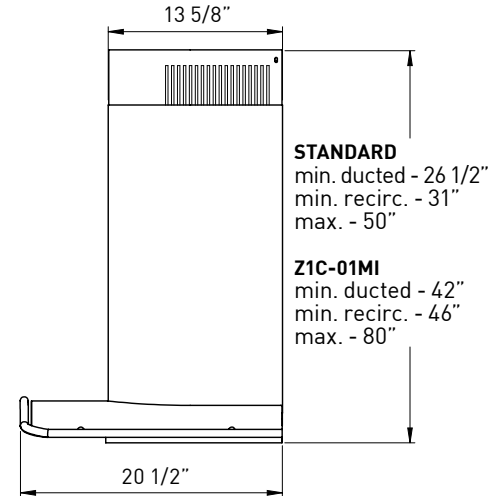
*AIRFLOW CONTROL TECHNOLOGY™ (ACT™) is an exclusive feature built into specific Zephyr hoods which can limit the maximum blower CFM to meet local code requirements.



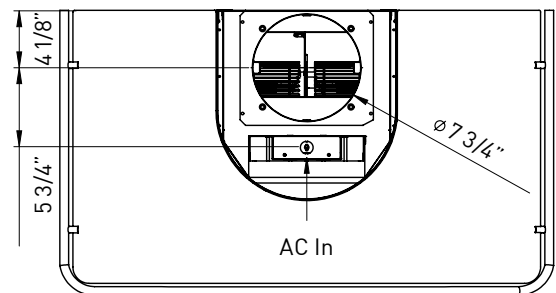
Optional Wireless Remote Control



FRONT



SIDE



TOP

MODEL

Glass canopy	ZMI-M90BG
Stainless Steel canopy	ZMI-M90BS

Size

Blower CFM (Min. - Max.)	250 - 715
Sones (Min. - Max.)	0.8 - 5.8
ACT 590 CFM (Min. - Max.)	250 - 590
ACT 590 Sones (Min. - Max.)	0.8 - 4.5
ACT 390 CFM (Min. - Max.)	250 - 390
ACT 390 Sones (Min. - Max.)	0.8 - 3
ACT 290 CFM (Min. - Max.)	250 - 290
ACT 290 Sones (Min. - Max.)	0.8 - 1.2

FEATURES

DCBL Suppression System®	Yes
ACT™ Technology	Yes
Controls	Electronic LCD
Speed Levels	5 + Burst
Auto Delay-Off	Yes
Lighting	Bloom™ HD LED, 6W x2
Dual-Level Lighting	Yes
Filters	Aluminum Mesh x1
Recirculating Option	Yes
Extension Duct Cover Option	Yes, Up to 12' Ceiling
ADA Compliant	Yes (with remote accessory)

DUCT SPECIFICATIONS

Vertical Internal Blower	8" Round
Horizontal Internal Blower	NA
AC POWER	120V, 60Hz at Max. 4A

OPTIONAL ACCESSORIES

Wireless Remote Control	RC-0001
Recirculating Kit	ZRC-00MI
Extension Duct Cover	Z1C-01MI
Make-Up Air Kit	MUA008A

MOUNTING HEIGHT RANGE* 26" - 34"

WARRANTY 3 years parts, 1 year labor

CEILING HEIGHT		8'	8.5'	9'	9.5'	10'	10.5'	11'	12'
STANDARD DUCT COVER	Ducted Mounting Height*	26" - 33.5"	26" - 34"	26" - 34"	28" - 34"	34" - 34"	NA	NA	NA
	Recirc Mounting Height*	26" - 29"	26" - 34"	26" - 34"	28" - 34"	34" - 34"	NA	NA	NA
EXTENSION DUCT COVER	Ducted Mounting Height*	NA	NA	26" - 30"	26" - 34"	26" - 34"	26" - 34"	26" - 34"	28" - 34"
	Recirc Mounting Height*	NA	NA	26" - 26"	26" - 32"	26" - 34"	26" - 34"	26" - 34"	28" - 34"

*Mounting height refers to distance between top of a 36" tall cooking surface and bottom of hood.

DCBL SUPPRESSION SYSTEM® DCBL Suppression System® offers up to 77% less noise, up to 30% more CFM, and up to 77% more energy efficiency for the most advanced range hood technology.

ACT™ AIRFLOW CONTROL TECHNOLOGY™ (ACT™) is an exclusive feature built into specific Zephyr hoods which can limit the maximum blower CFM to meet local code requirements.

Specifications subject to change, check zephyronline.com for up-to-date information.
Zephyr Ventilation | 2277 Harbor Bay Parkway, Alameda, CA 94502 | 888.880.VENT

NOV18.0101

