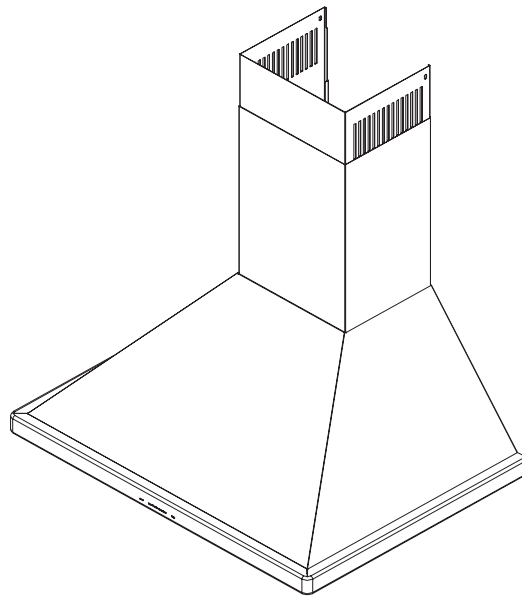


# Use, Care, and Installation Guide

## Siena

ZSI-E30BS

ZSI-E36BS



Model number: \_\_\_\_\_

Serial Number: \_\_\_\_\_

AUG18.0201 © Zephyr Ventilation LLC.





**SAFETY NOTICE** ..... 2-3

**LIST OF MATERIALS** ..... 4

**INSTALLATION**

    Ducting Calculation Sheet ..... 5

    Mounting Height & Clearance ..... 6

    Ducting Options ..... 7

    Hood Specifications ..... 8

    Mounting the Range Hood ..... 9

    Horizontal Ducting Conversion ..... 10-11

    Ductless Recirculating ..... 12

**FEATURES & CONTROLS**

    ICON Touch Controls ..... 13-14

**MAINTENANCE**

    LED Light Strips ..... 14

    Cleaning, Filter Care, Parts List ..... 15

**TROUBLESHOOTING** ..... 16

**ACT CONVERSION** ..... 17

**FAN CURVE DIAGRAMS** ..... 18-19

**WIRING DIAGRAM** ..... 20

**WARRANTY** ..... 21

**PRODUCT REGISTRATION** ..... 22

**Important Safety Notice**

**WARNING**

TO REDUCE THE RISK OF FIRE OR ELECTRIC SHOCK, DO NOT USE THIS FAN WITH ANY SOLID-STATE CONTROL DEVICE.

**WARNING**

TO REDUCE THE RISK OF FIRE ELECTRIC SHOCK, OR INJURY TO PERSONS, OBSERVE THE FOLLOWING:

- a. Use this unit only in the manner intended by the manufacturer, if you have questions, contact the manufacturer.
- b. Before servicing or cleaning unit, switch power off at service panel and lock panel to prevent power from being switched on accidentally. When the service disconnecting means cannot be locked, securely fasten a prominent warning device, such as a tag, to the service panel.

**CAUTION**

For general ventilating use only. Do not use to exhaust hazardous or explosive materials and vapors. Take care when using cleaning agents or detergents. Suitable for use in household cooking area.

**WARNING**

TO REDUCE THE RISK OF RANGE TOP GREASE FIRE:

- a. Never leave surface units unattended at high settings. Boilovers cause smoking and greasy spillovers that may ignite. Heat oils slowly on low or medium settings.
- b. Always turn hood ON when cooking at high heat or when flaming food
- c. Clean ventilating fans frequently. Grease should not be allowed to accumulate on fan or filter.
- d. Use proper pan size. Always use cookware appropriate for the size of the surface element.
- e. Keep fan, filters and grease laden surfaces clean.
- f. Use high setting on hood only when necessary.
- g. Don't leave hood unattended when cooking.
- h. Always use cookware and utensils appropriate for the type of and amount of food being prepared.

**WARNING**

TO REDUCE THE RISK OF INJURY TO PERSONS IN THE EVENT OF A RANGE TOP FIRE, OBSERVE THE FOLLOWING:

- a. SMOTHER FLAMES with a close-fitting lid, cookie sheet, or metal tray, then turn off the burner. BE CAREFUL TO PREVENT BURNS. If the flames do not go out immediately, EVACUATE AND CALL THE FIRE DEPARTMENT.
- b. NEVER PICK UP A FLAMING PAN – You may be burned.
- c. DO NOT USE WATER, including wet dishcloths or towels – a violent steam explosion will result.
- d. Use an extinguisher ONLY if:
  - 1. You know you have a Class ABC extinguisher, and you already know how to operate it.
  - 2. The fire is small and contained in the area where it started.
  - 3. The fire department is being called.
  - 4. You can fight the fire with your back to an exit

**WARNING**

TO REDUCE THE RISK OF FIRE, ELECTRIC SHOCK OR INJURY TO PERSONS, OBSERVE THE FOLLOWING:

- a. Installation work and electrical wiring must be done by qualified person(s) in accordance with all applicable codes and standards. Including fire-rated construction.
- b. Sufficient air is needed for power combustion and exhausting of gases through the flue (chimney) of fuel burning equipment to prevent back-drafting. Follow the heating equipment manufacturer's guideline and safety standards such as those published by the National Fire Protection Association (NFPA) and the American Society for Heating, Refrigeration and Air Conditioning Engineers (ASHRAE) and the local code authorities.
- c. When cutting or drilling into wall or ceiling, do not damage electrical wiring and other hidden utilities.
- d. Ducted fans must always vent to the outdoors.
- e. NEVER place a switch where it can be reached from a tub or shower.
- f. Make sure the power is off before installing, wiring or maintenancing.

**WARNING**

TO REDUCE THE RISK OF FIRE, USE ONLY METAL DUCTWORK.

**CAUTION**

To reduce risk of fire and to properly exhaust air outside - Do not vent exhaust air into spaces within walls, ceilings, attics, crawl spaces or garages.

**OPERATION**

Always leave safety grilles and filters in place. Without these components, operating blowers could catch onto hair, fingers and loose clothing.

The manufacturer declines all responsibility in the event of failure to observe the instructions given here for installation, maintenance and suitable use of the product. The manufacturer further declines all responsibility for injury due to negligence and the warranty of the unit automatically expires due to improper maintenance.

**\*NOTE: Please check [www.zephyronline.com](http://www.zephyronline.com) for revisions before doing any custom work.**

**ELECTRICAL REQUIREMENTS**

**Important:**

Observe all governing codes and ordinances.

It is the customer's responsibility:

- To contact a qualified electrical installer.
- To assure that the electrical installation is adequate and in conformance with National Electrical Code, ANSI/NFPA 70 latest edition\* or CSA standards C22.1-94, Canadian Electrical Code, Part 1 and C22.2 No.0-M91 - latest edition\*\* and all local codes and ordinances.

If codes permit and a separate ground wire is used, it is recommended that a qualified electrician determine that the ground path is adequate.

Do not ground to a gas pipe.

Check with a qualified electrician if you are not sure the range hood is properly grounded.

Do not have a fuse in the neutral or ground circuit.

\*National Fire Protection Association Batterymarch Park, Quincy, Massachusetts 02269

\*\* CSA International 8501 East Pleasant Valley Road, Cleveland, Ohio 44131-5575

This appliance requires a 120V 60Hz electrical supply and connected to an individual properly grounded branch circuit protected by a 15 or 20 ampere circuit breaker or time delay fuse. Wiring must be 2 wire with ground. Please also refer to Electrical Diagram on product.

This appliance is equipped with a cord having a grounding wire with a grounding plug. The plug must be plugged into an outlet that is properly installed and grounded.

ZSI-E30BS / ZSI-E36BS - 439 Watts, 3.7 Amps

Power consumption shown above is the default power specs. Hoods with Zephyr's proprietary Airflow Control Technology (ACT) enabled will consume less power. See wiring diagram at the end of this manual for more information.

Prop. 65 Warning for California Residents



**WARNING:**

Cancer and Reproductive Harm - [www.P65Warnings.ca.gov](http://www.P65Warnings.ca.gov)

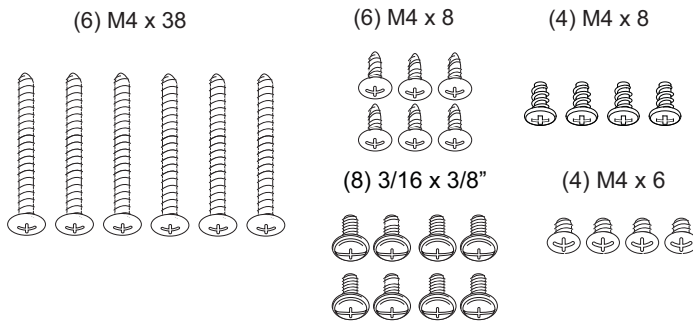
# List of Materials

**MODELS:** ZSI-E30BS, ZSI-E36BS

## PARTS SUPPLIED

- 1 - Hood with internal blower
- 2 - Baffle filters
- 1 - Duct cover assembly (*top and bottom*)
- 1 - Duct cover wall bracket
- 1 - 9W Brite Strip™ LED
- 1 - 8" round backdraft damper
- 1 - 3-1/4" x 10" rectangular collar (rear ducting only)
- 2 - Rear ducting motor mount brackets
- 1 - Top Cover Plate (rear ducting only)
- 1 - Hardware package



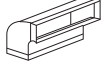
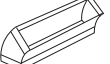


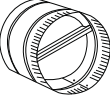


## HARDWARE PACKAGE CONTENTS



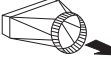
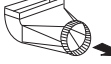
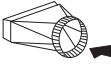
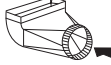
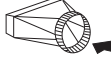
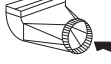
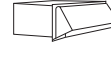


## PARTS NOT SUPPLIED

- Ducting, conduit and all installation tools
- Cable connector (if required by local codes)
- Duct cover extension accessory
- Recirculating kit accessory

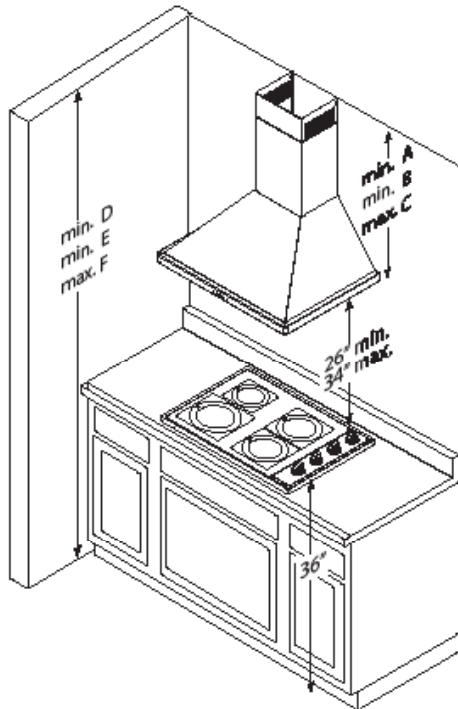
# Installation – Ducting Calculation Sheet

Duct pieces		Equivalent number length x used =	Total
	3-1/4" x 10" Rect., straight	1 Ft. x ( ) =	Ft.
	6", 7", 8", 10" Round, straight	1 Ft. x ( ) =	Ft.
	3-1/4" x 10" Rect. 90° elbow	15 Ft. x ( ) =	Ft.
	3-1/4" x 10" Rect. 45° elbow	9 Ft. x ( ) =	Ft.
	3-1/4" x 10" Rect. 90° flat elbow	24 Ft. x ( ) =	Ft.
	7" to 6" or 8" to 7" Round tapered reducer	25 Ft. x ( ) =	Ft.
	6", 7", 8" Round in-line damper	15 Ft. x ( ) =	Ft.
	6", 7", 8", 10" Round, 90° elbow	15 Ft. x ( ) =	Ft.
	6", 7", 8", 10" Round, 45° elbow	9 Ft. x ( ) =	Ft.
Subtotal column 1 =			Ft.

**Maximum Duct Length:** For satisfactory air movement, the total duct length should not exceed 100 equivalent feet.

Duct pieces		Equivalent number length x used =	Total
	3-1/4" x 10" Rect. to 6" round transition	5 Ft. x ( ) =	Ft.
	3-1/4" x 10" Rect. to 6" round transition 90° elbow	20 Ft. x ( ) =	Ft.
	6" round to 3-1/4" x 10" rect. transition	1 Ft. x ( ) =	Ft.
	6" round to 3-1/4" x 10" rect. transition 90° elbow	16 Ft. x ( ) =	Ft.
	7" round to 3 1/4" x 10" rect. transition	8 Ft. x ( ) =	Ft.
	7" round to 3-1/4" x 10" rect. transition 90° elbow	23 Ft. x ( ) =	Ft.
	3-1/4" x 10" Rect. wall cap with damper	30 Ft. x ( ) =	Ft.
	6", 7", 8", 10" Round, wall cap with damper	30 Ft. x ( ) =	Ft.
	6", 7", 8", 10" Round roof cap	30 Ft. x ( ) =	Ft.
Subtotal column 2 =			Ft.
Subtotal column 1 =			Ft.
Total ductwork =			Ft.

# Installation – Mounting Height & Clearance



Hood Heights	Standard Duct Cover	Extension Duct Cover
minimum ducted (A)	27-1/2"	46-1/2"
minimum recirculating (B)	32"	50-1/2"
maximum (C)	42"	79"
<b>Ceiling Heights</b>		
minimum ducted (D)	89-1/2" (7' 5-1/2")	108-1/2" (9' 1/2")
minimum recirculating (E)	94" (7' 10")	112-1/2" (9' 4-1/2")
maximum (F)	112" (9' 4")	149" (12' 5")

## DUCTING

A minimum of 8" round duct is recommended to maintain maximum air flow efficiency.

Always use rigid type metal ducts only. Flexible ducts could restrict air flow by up to 50%.

Use calculation worksheet on page 5 to compute total duct work.

ALWAYS, when possible, reduce the number of transitions and turns. If a long duct run is required, increase duct size from 8" to 10".

If turns or transitions are required: Install as far away from opening and as far apart, between 2, as possible.

Minimum mount height between range top to hood bottom should be no less than 26".

Maximum mount height should be no higher than 34".

It is important to install the hood at the proper mounting height. Hoods mounted too low could result in heat damage and fire hazard; while hoods mounted too high will be hard to reach and will lose its performance and efficiency.

If available, also refer to range manufacturer's height clearance requirements and recommended hood mounting height above range. Always check your local codes for any differences.

Duct cover extension kit available for ceiling heights up to 12 feet. Turn to page 15 for part number and ordering information.

### DAMAGE-SHIPMENT / INSTALLATION:

- Please fully inspect unit for damage before installation.
- If the unit is damaged in shipment, return the unit to the store in which it was bought for repair or replacement.
- If the unit is damaged by the customer, repair or replacement is the responsibility of the customer.
- If the unit is damaged by the installer (if other than the customer), repair or replacement must be made by arrangement between customer and installer.



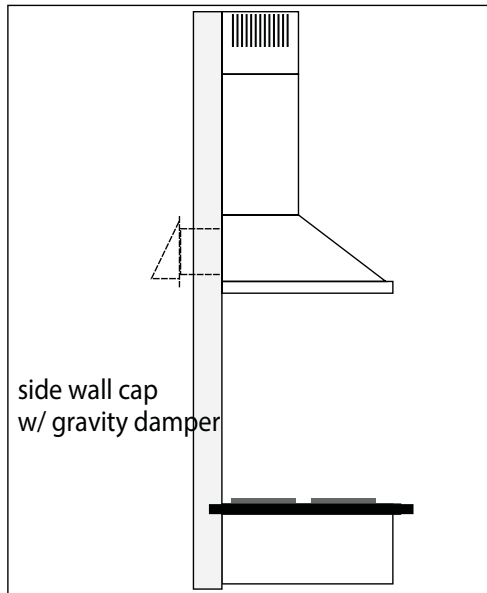
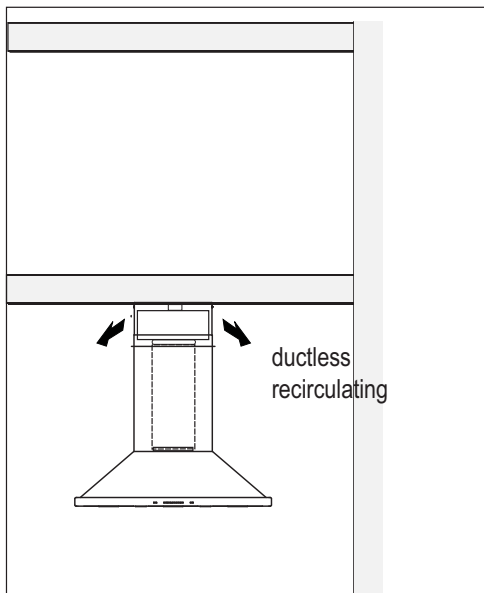
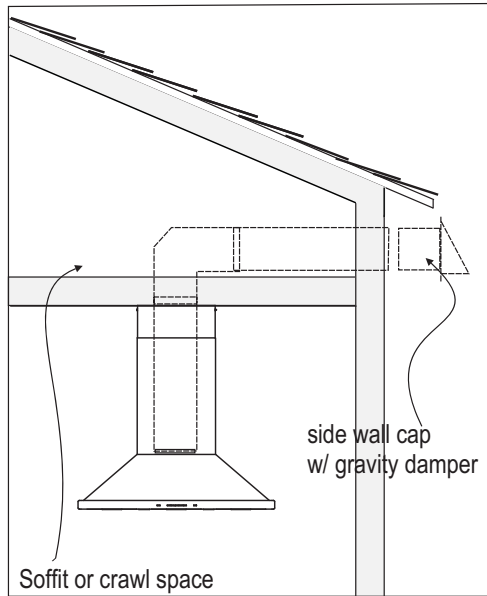
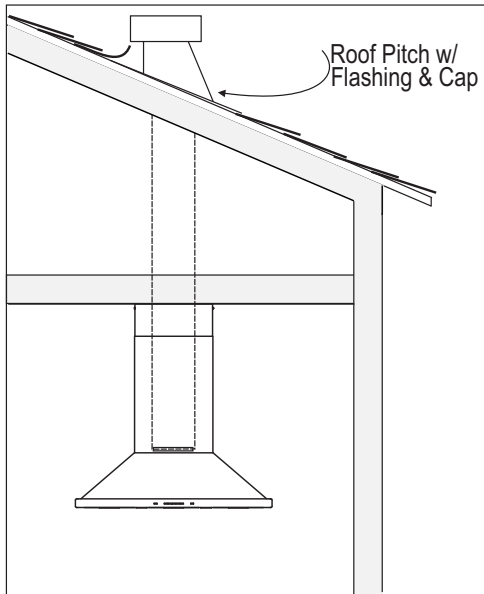
**WARNING FIRE HAZARD**

NEVER exhaust air or terminate duct work into spaces between walls, crawl spaces, ceiling, attics or garages. All exhaust must be ducted to the outside, unless using the recirculating option.

Use single wall rigid Metal ductwork only.

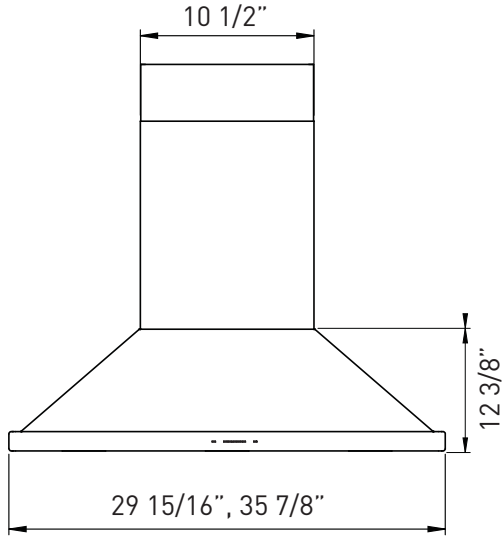
Fasten all connections with sheet metal screws and tape all joints w/ certified Silver Tape or Duct Tape.

**Some Ducting Options**

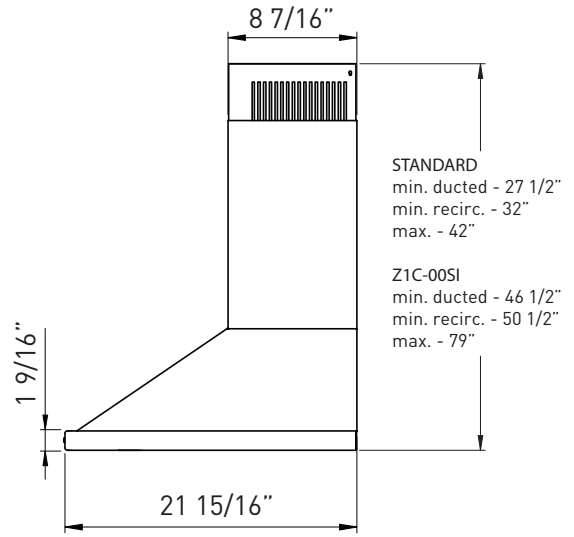


# Installation – Hood Specifications

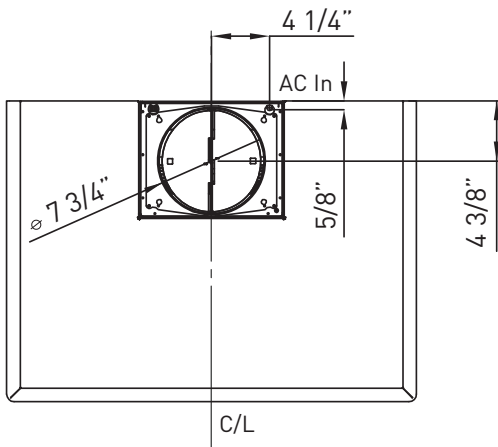
**Front of Hood**



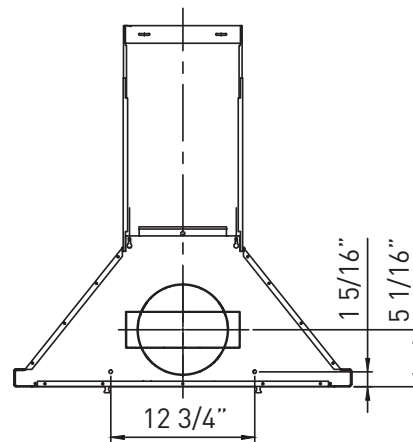
**Side of Hood**



**Top of Hood**



**Back of Hood**



**⚠ CAUTION: At least two installers are required due to the weight and size of the hood.**

1. Measure from range top to hood bottom and mark line A. (26" minimum from range top).
2. Plum and mark center line.
3. Mark mounting height line B. (1-5/16" from line A)
4. Mark mounting height line C. (13-1/8" from line A)
5. Mark mounting spread from C/L on line B 12-3/4"
6. Mark mounting spread from C/L on line C 9-7/16"
7. Fasten (2) M4 x 38 screws into studs on line C. Do not fasten screws all the way. **Note: wood blocking may need to be added behind the drywall if no studs are present. Wall anchors may also be used but check local codes for compliance. Failure to use suitable wall anchors and screws to hold the weight of the hood could result in personal injury or damage to cooking surface or counter.**
8. Install 8" round duct collar with backdraft damper to top of body of hood by (4) M4x8 flat screws.
9. If ducting hood through rear of hood body, cut access hole in wall and prepair ducting.
10. Hang hood onto screws and hand tighten. (FIG. A) Use the last M4 x 38 screws to further secure the hood to the wall from inside the hood on line B.
11. Center and attach duct cover bracket to wall below ceiling or soffit using (2) M4 x 38 screws.
12. Position electrical outlet within the space covered by the telescopic duct covers and where it will not interfere with the round duct. (FIG. B)
13. \*Install duct work and duct tape.
14. Power up hood and check for leaks around duct tape.
15. Place telescopic duct covers onto hood and extend inner (top) duct cover upwards and secure to duct cover bracket using (2) M4x8 screws.

\*If using hood in recirculating mode you must secure air diverter plate onto wall before installing duct work and duct covers. Turn to page 12 for more details.

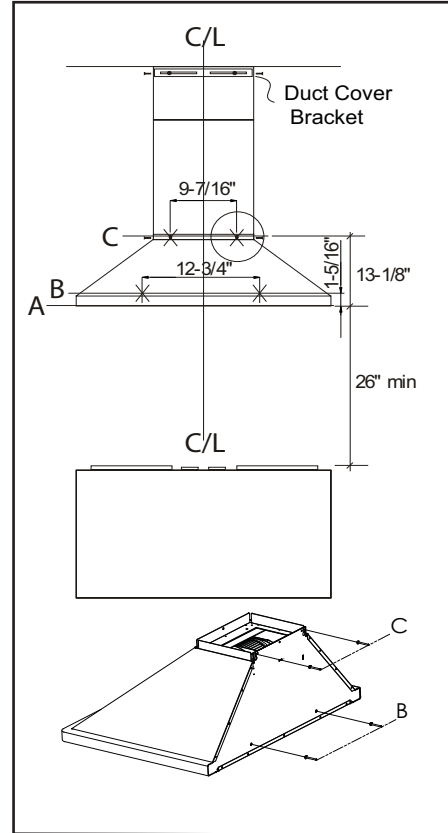


FIG. A

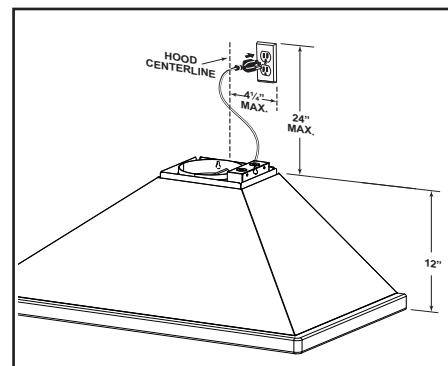


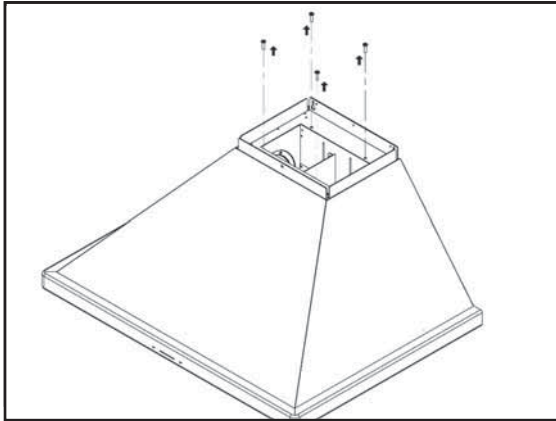
FIG. B

**⚠ WARNING: Electrical wiring must be done by a qualified person(s) in accordance with all applicable codes and standards. This range hood must be properly grounded. Turn off electrical power at service entrance before wiring.**

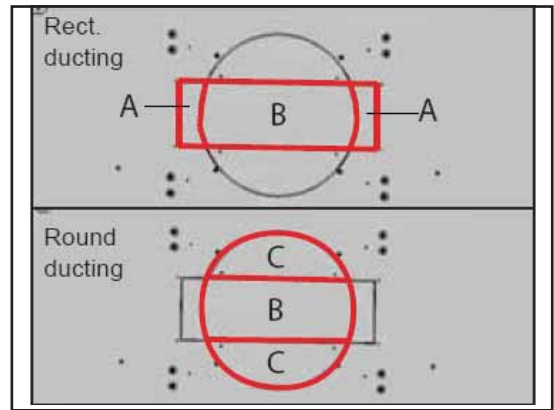
# Installation – Horizontal Ducting Conversion

This range hood is equipped standard with a 8" round vertical duct option. To convert from 8" round vertical to 8" round horizontal ducting or 3-1/4" x 10" rectangular horizontal ducting please following the instructions below.

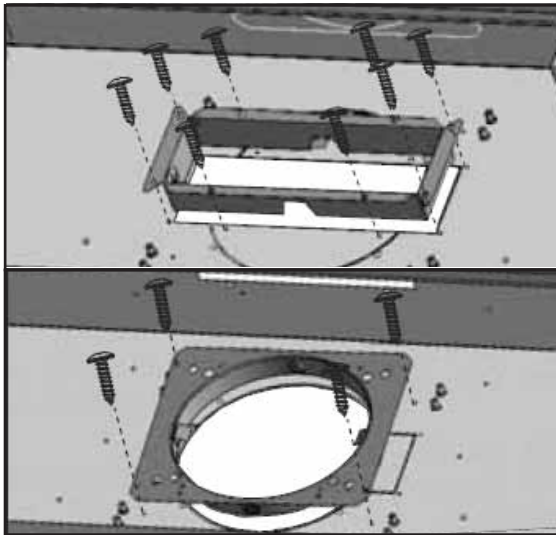
## VERTICAL TO HORIZONTAL DUCTING CONVERSION



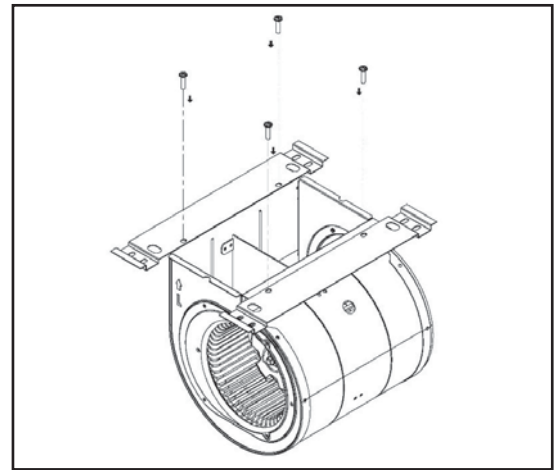
1. Remove (4) screws attaching motor to hood body.



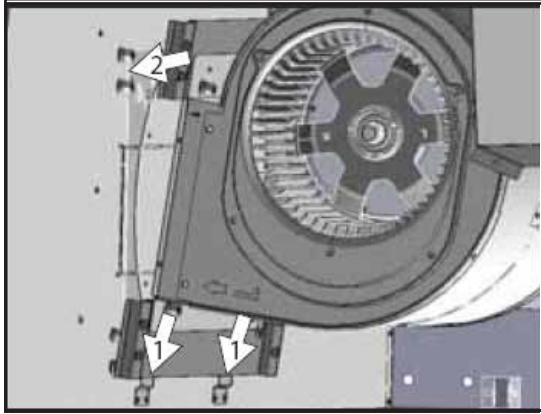
2. Remove knock out plate A & B for rectangular ducting or knock out plates B & C for round ducting.



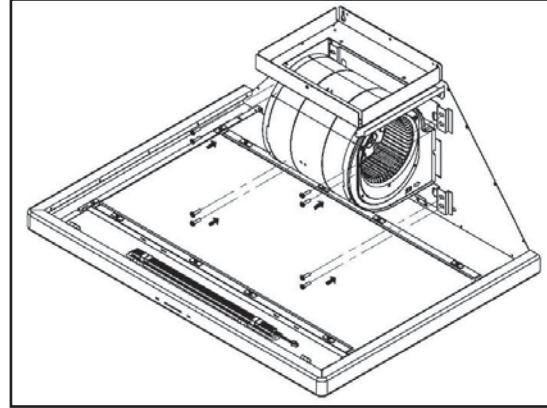
3. Attach rectangular or round duct collar to interior of hood body by (4) screws.



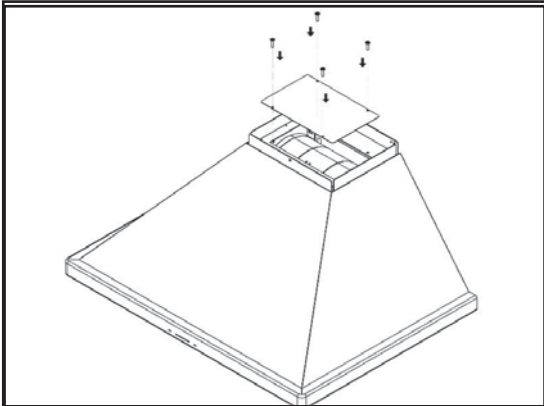
4. Attach rear ducting brackets to motor by (4) screws.



5. Position blower with brackets as shown. Be sure to tuck back of blower bracket into tabs at back of hood. Secure single blower plate to back of hood using (4) screws removed from step 2.



6. Attach motor to back of hood body by (8) screws.



7. From outside hood body, attach top cover plate to top of hood body using (4) M4 x 8 screws.

Ductless recirculating is intended for applications where an exhaust duct work is not possible to be installed. When converted, the hood functions as a recirculating hood rather than an exhaust hood. Fumes and exhaust from cooking are drawn and filtered by a set of optional charcoal filters. The air is then purified and re-circulated back within the home.

We recommend to ALWAYS exhaust air outside of the home by employing existing or installing new duct work, if possible. The hood is most effective and efficient as an exhaust hood. Only when the exhaust option is not possible should you recourse to converting the hood into a recirculating hood.

When converted to be a recirculating hood, a set of charcoal filters are required on top of its standard Baffle Filter set. Order according to its Part number below. The standard Baffle Filters are intended to capture residue from cooking and the optional charcoal filters help to purify fumes exhausted from cooking for re-circulation.

### RECIRCULATING KIT (REQUIRED IF NO DUCTING IS USED)

Kit includes charcoal filters, charcoal filter brackets and air diverter plate.

Hood Model	Part No.	Filters in Pkg.
ZSI-E30BS	ZRC-00SI	2
ZSI-E36BS	ZRC-00SI	2

1. Secure air diverter plate to wall below duct cover wall bracket. (FIG.C)
2. Remove baffle filters from hood. Place charcoal filter over the back side of baffle filter.
3. Secure charcoal filters to back side of baffle filters by three brackets for each filter.
4. Re-install baffle filters.
5. Turn on charcoal filter change indicator on control panel. (refer to details on page 14.) The microprocessor in the controls will indicate the need to change the charcoal filters after 120 hours of continuous use. Order replacement charcoal filters per the list below.

NOTE: See manual included with recirculating kit for more detailed instructions.

### Charcoal Filter Replacements

Hood Model	Part No.	Qty to Order
ZSI-E30BS	Z0F-C091	2
ZSI-E36BS	Z0F-C091	2

DO NOT WASH CHARCOAL FILTERS. Charcoal filters may need to be changed more often depending on cooking habits.

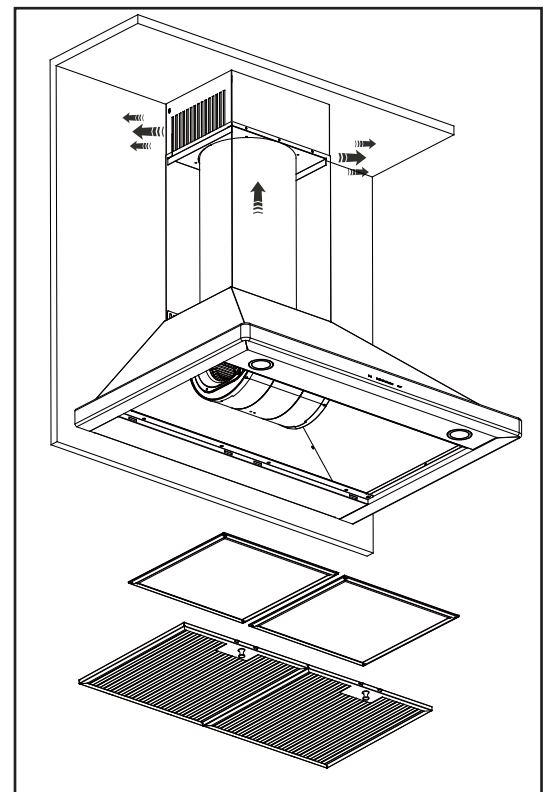
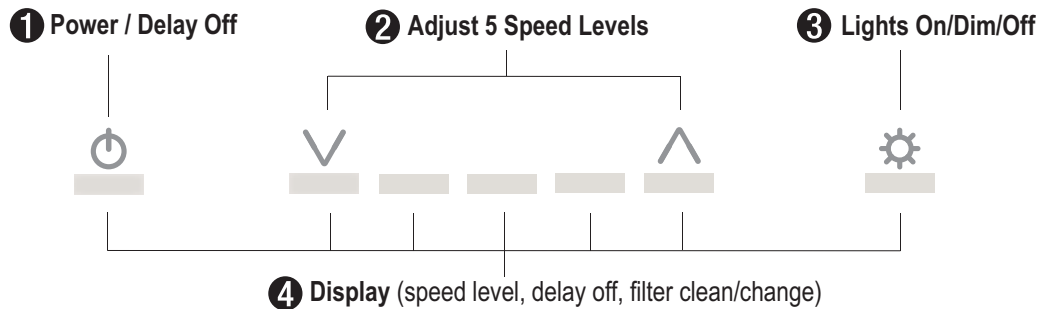


FIG C



## 1 POWER / DELAY OFF BUTTON

### Power Button Function

- Button will turn power on and off for entire hood (fan and lights).
- Hood will remember the last speed and light level it was turned off at.  
(Example: Press Button to turn off hood when on fan speed 4 and high lights. Press Button again and the hood will turn back on at speed 4 and high lights level.)

### Delay Off Button Function

- With the fan on press and hold the Button for two seconds. The fan will change to speed 1 and the 5 minute delay off timer will start.  
 + LEDs will illuminate and slowly blink in accordance with the time remaining until the fan and lights automatically turn off.
- Pressing Button while Delay Off Function is enabled will turn the hood off and cancel the Delay Off Function.

### ACT Verification

- Airflow Control Technology (ACT) allows the installer to set the maximum fan CFM to align with local codes and regulations.
  - To verify the maximum fan CFM:
    - With hood off, hold the Button for two seconds. If all five fan speed indicators illuminate = default maximum CFM. If four fan speed indicators illuminate = 390 maximum CFM. If 3 fan speed indicators illuminate = 290 maximum CFM.

## 2 SPEED SELECTION BUTTON

### Fan Speed Decrease Button

- Press this button to decrease fan speed. 5, 4, 3, 2, 1.
- If fan is On Speed 1 and this button is pressed, fan will power Off.

### Fan Speed Increase Button

- Press this button to increase fan speed. Fan On, 1, 2, 3, 4, 5.
- If hood is Off and this button is pressed, fan will turn On Speed 1.

### Act Enabled Speed Selections

- When ACT is enabled, the number of fan speeds will be reduced as follows:
  - 390 CFM = Maximum 4 speeds
  - 290 CFM = Maximum 3 speeds

**3 LIGHTS BUTTON** ⚙️

- Lights are two levels, High and Low.
- From off, press one time for High. Press again for Low. Press again to power lights off.

**4 DISPLAY INDICATORS****Mesh Filter Clean Reminder** *(always enabled)*

- After 30 hours of fan usage, the ▼ button indicator will begin to slowly blink indicating it is time to clean the mesh filters.
- **To reset:** With hood off: hold the ▼ button for three seconds. All LED indicators will blink two times confirming the 30 hour timer has been reset.

**Charcoal Filter Replace Indicator** *(disabled by default, must be enabled if recirculating hood)*

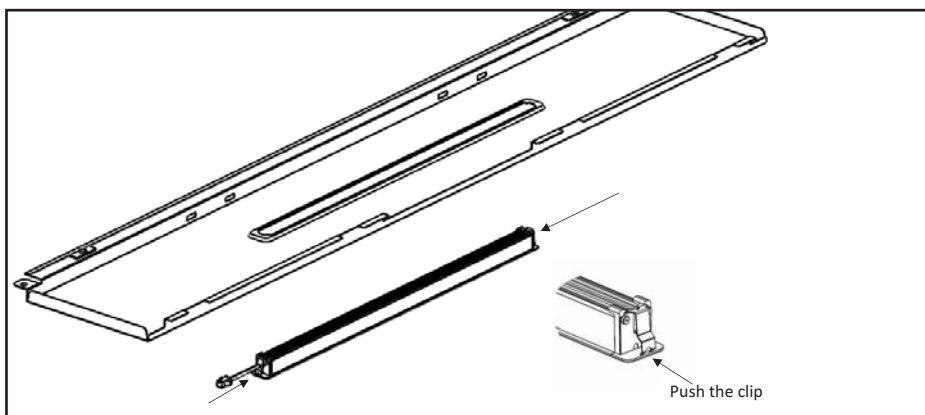
- To enable Charcoal Filter Replacement Reminder:
  - With hood off, hold ▲ button and ⚙️ button simultaneously for two seconds. All LED indicators will illuminate for three seconds confirming the Charcoal Filter Replace Reminder is enabled.
- To disable Charcoal Filter Replacement Reminder:
  - With hood off, hold ▲ button and ⚙️ button simultaneously for two seconds. All LED indicators will blink two times confirming the Charcoal Filter Replace Reminder is disabled.
- After 120 hours of fan usage the ▲ button will slowly blink indicating the charcoal filters need replacement.
- **To reset:** With hood off, hold the ▲ button for two seconds. All LED indicators will blink two times confirming the 120 hour timer has been reset.

**LED LIGHT STRIPS**

In the unlikely event that your LED strip fails, please contact Zephyr to order replacement parts. See list of parts and accessories page for part #'s and contact information.

To replace LED light strip

1. Remove aluminum mesh filters.
2. Remove light panel by two screws.
3. Disconnect LED light strip quick connector.
4. Push in the two side clips on the ends of the LED strip.
5. Push LED light strip through the light panel opening.





**SURFACE MAINTENANCE:**

Do not use corrosive detergents, abrasive detergents or oven cleaners.  
 Do not use any product containing chlorine bleach or any product containing chloride.  
 Do not use steel wool or abrasive scrubbing pads which will scratch and damage surface.

**Cleaning Stainless Steel**

Clean periodically with warm soapy water and clean cotton cloth or micro fiber cloth. Always rub in the direction of the stainless steel grain. To remove heavier grease build up use a liquid degreaser detergent.

After cleaning use a non-abrasive stainless steel polish/cleaners, to polish and buff out the stainless luster and grain. Always scrub lightly, with clean cotton cloth or micro fiber cloth and buff in the direction of the stainless steel grain.

**Hybrid Baffle Filters**

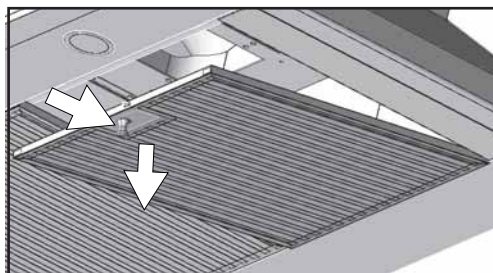
The hybrid baffle filters installed by the factory are intended to filter out residue and grease from cooking. They need not be replaced on a regular basis but are required to be kept clean.

Remove and clean by hand or in dishwasher using a non-phosphate detergent. Discoloration of the filter may occur if using phosphate detergents, or as a result of local water conditions - but this will not affect filter performance. This discoloration is not covered by the warranty. Spray degreasing detergent and leave to soak if heavily soiled.

Dry filters and re-install before using hood.

**Removing Baffle Filters**

1. Push in on spring loaded handle
2. Pull down on filter handle to remove filter



**LIST OF PARTS AND ACCESSORIES**

<b>DESCRIPTION</b>	<b>PART#</b>
<b>Replacement Parts</b>	
Baffle Filter (each)	50200050
<b>Optional Accessories</b>	
Recirculating Kit	ZRC-00SI
Replacement Charcoal Filter (each)	Z0F-C091
Duct Cover Extension Kit	Z1C-00SI
Universal Make-Up Air Damper	MUA008A

To order parts, visit us online at <http://store.zephyronline.com> or call us at 1.888.880.8368

# Troubleshooting

## TROUBLESHOOTING PROCEDURES FOR SIENA WALL

Issue	Cause	What to do
After installation, the unit doesn't work.	1. The power source is not turned ON.	1. Make sure the circuit breaker and the unit's power is ON.
	2. The power line and the cable locking connector is not connecting properly.	2. Check the power connection with the unit is connected properly.
	3. The wires on the control board are loose.	3. Make sure the wires on the control board are connected properly.
	4. The switch board and control board wirings are disconnected.	4. Make sure the wirings between the switch board and control board are connected properly.
	5. The switch board or control board is defective.	5. Change the switch board or control board.
Light works, but blower is not turning.	1. The blower cable is disconnected.	1. Check all wirings from the blower to be sure all cables are connected properly.
	2. The blower is defective, possibly seized.	2. Change the blower.
	3. The thermally protected system detects if the blower is too hot to operate and shuts the blower down.	3. The blower will function properly after the thermally protected system cool down.
	4. The switch board or control board is defective.	4. Change defective part.
The unit is vibrating.	1. The motor is not secure in place.	1. Tighten the motor in place.
	2. Damaged blower wheel.	2. Replace the blower.
	3. The hood is not secured in place.	3. Check the installation of the hood.
The unit is whistling.	1. The filter is not in the correct position.	1. Adjust the filters until the whistling stops.
	2. The duct pipe connections are not sealed or connected properly.	2. Check the duct pipe connections to be sure all connections are sealed properly.
The blower is working, but the lights are not.	1. Defective LED bulb.	1. Change the LED bulb.
	2. The LED bulb wire is loose.	2. Check bulb wire connections at the control board and the light bulbs. Reconnect any loose wires.
The unit turns on by itself.	1. A spot light or kitchen lamp is shining directly onto the switch controls.	1. The switch controls are light sensitive. A direct light source onto the switch controls may disrupt switch functions.
The speed levels of the blower sound the same.	1. Using the wrong size of ducting.	1. Change the ducting to at least 8" or higher.
The hood is not venting out properly.	1. The hood might be hanging too high from the cook top.	1. Adjust the distance between the cook top and the bottom of the hood within 26" and 34" range.
	2. The wind from the opened windows or opened doors in the surrounding area are affecting the ventilation of the hood.	2. Close all the windows and doors to eliminate the outside wind flow.
	3. Blockage in the duct opening or ductwork.	3. Remove all the blocking from the duct work or duct opening.
	4. The direction of duct opening is against the wind.	4. Adjust the duct opening direction.
	5. Using the wrong size of ducting.	5. Change the ducting to at least 8" or higher.
Mesh Filter is vibrating.	1. Mesh filter is loose.	1. Make sure the metal clips in the handle are not stuck. Or replace the mesh filter.
	2. Filter spring clip is loose or broken.	2. Uninstall and reinstall filter, push up on filter latch. Replace mesh filter if needed.

### Airflow Control Technology (ACT)

Some local codes limit the maximum amount of CFM a range hood can move. ACT allows you to control the maximum blower CFM of select Zephyr Ventilation range hoods without the need for expensive make up air kits. ACT enables the installer to easily set the maximum blower speed to one of two most commonly specified CFM levels; 390 or 290 CFM. The usage of ACT may not be necessary for your installation. Please check your local codes for CFM restrictions.

**By default the maximum blower CFM is set to 650.**



**CAUTION:**

Hood must be disconnected from main power prior to performing the conversion instructions listed below. Failure to do so could result in personal injury or damage to the product.

**To enable ACT**

1. Before hood installation, gain access to PC board by following the steps shown in FIG. D.
2. Change plastic jumper positioning as shown in FIG. E to set the desired maximum blower CFM.
3. Re-install PC board & continue with hood installation.
4. Remove the appropriate foil CFM sticker included with the hood literature and place inside the hood body below the wiring diagram or in another clearly visible location.

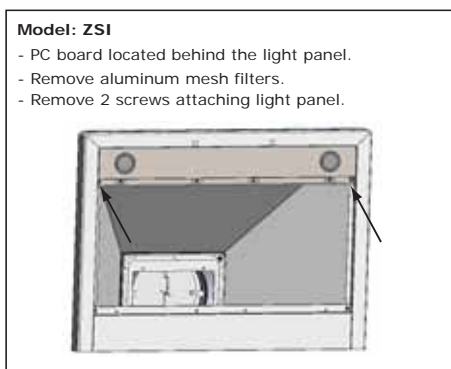
**NOTE:** After re-positioning the jumper and powering on the hood, the CFM cannot be changed again.

**To verify if your installer enabled ACT**

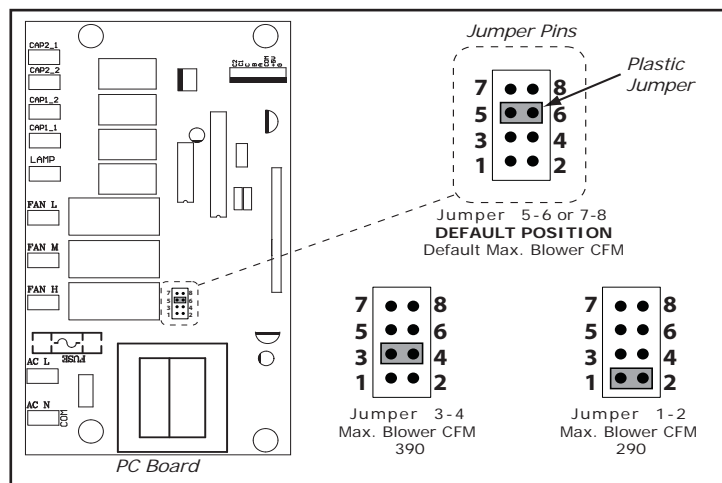
With hood off, press and hold the power button for three seconds. If 5 LEDs illuminate = default max. CFM, if 4 LEDs illuminate = max. 390 CFM, and if 3 LEDs illuminate = max. 290 CFM.

When ACT is enabled, the number of blower speeds will be reduced. 390 CFM = max. 4 speeds and 290 CFM = max. 3 speeds.

There should also be a foil label located inside the hood body near the wiring diagram that indicates the blower CFM.

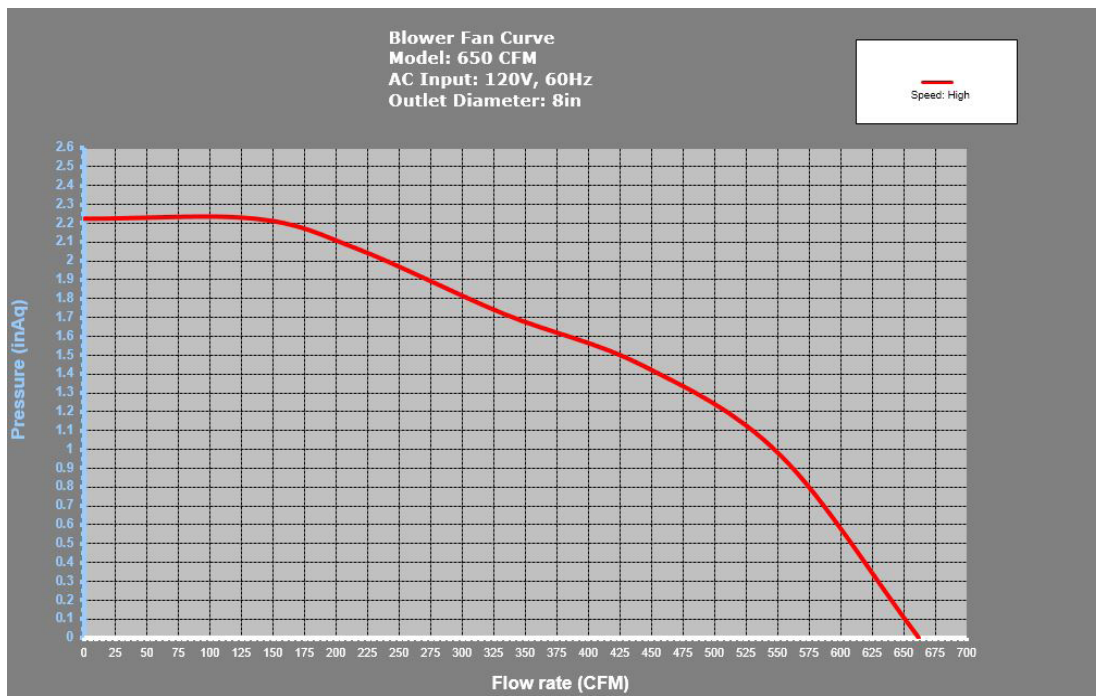


**FIG. D**

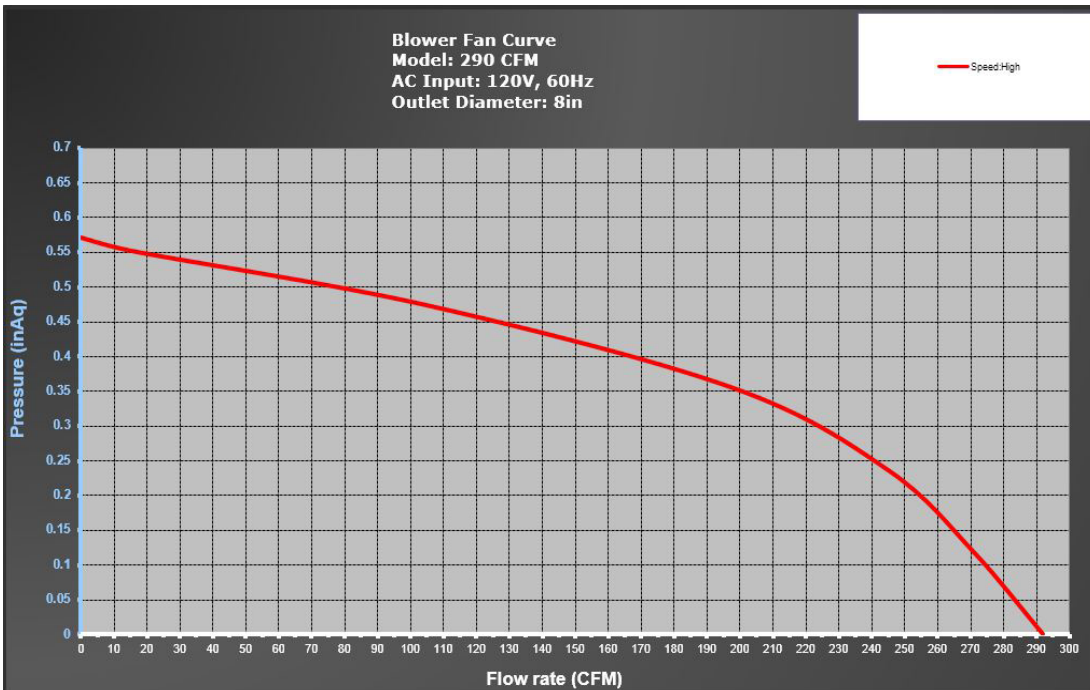
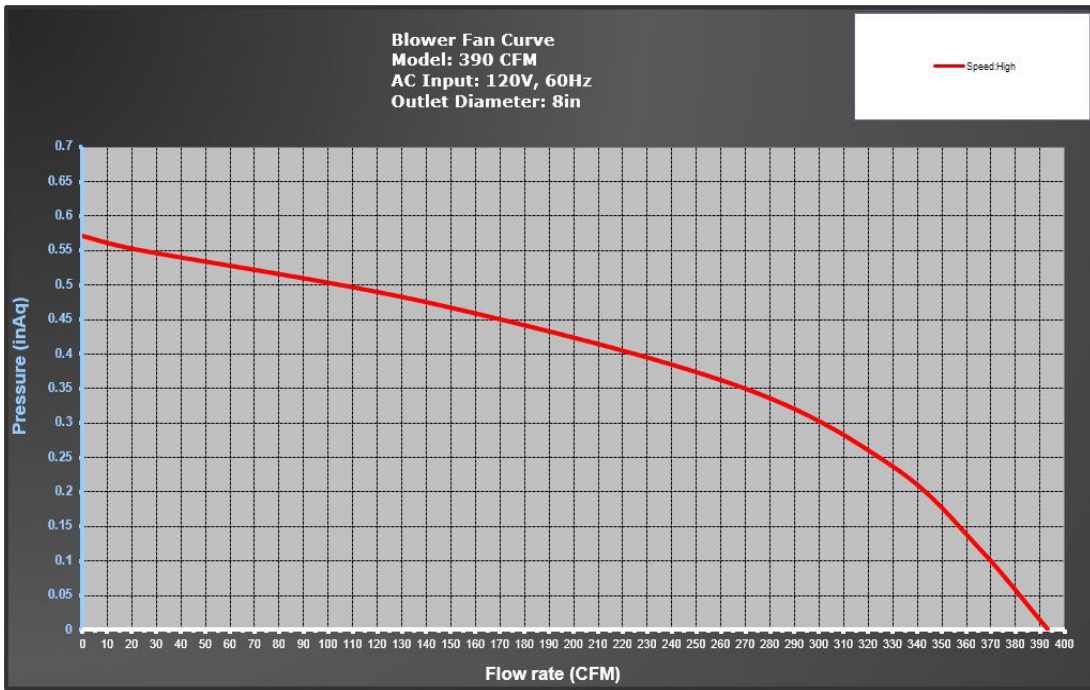


**FIG. E**

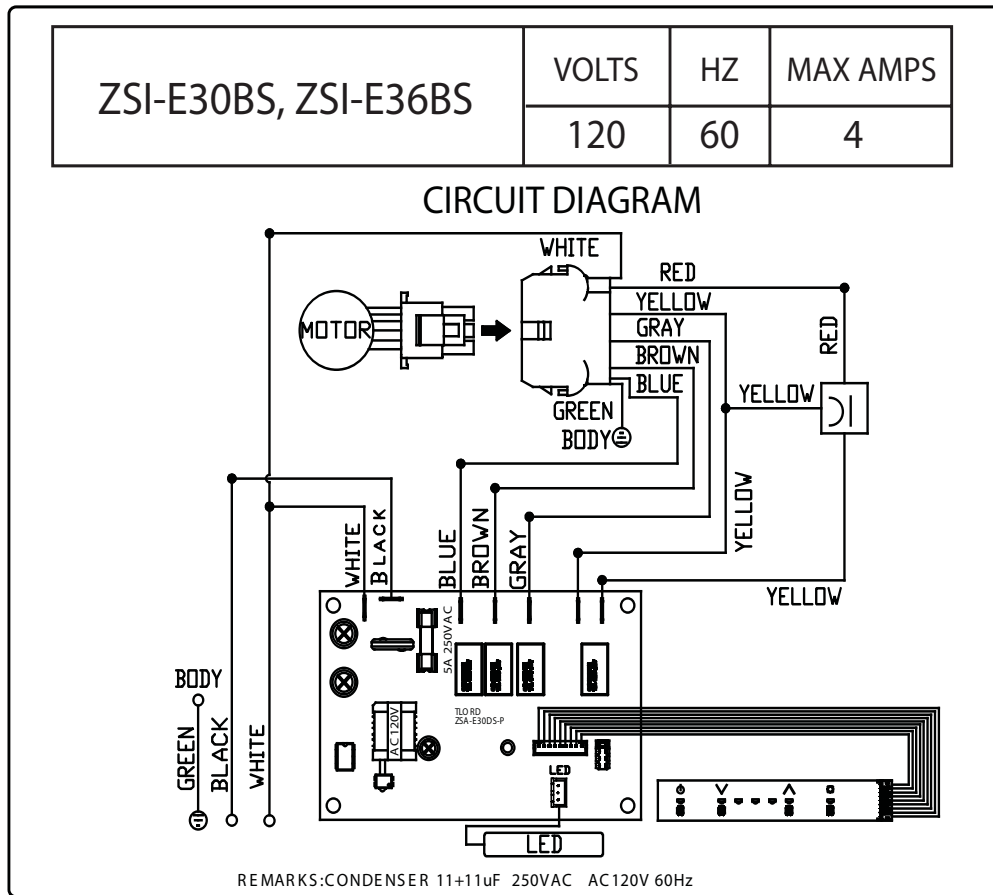
# Fan Curve Diagrams



# Fan Curve Diagrams



# Wiring Diagram



Power consumption shown for default 650 CFM blower configuration

ACT 390 CFM - Fan Max. 393W @ 3.3A

ACT 290 CFM - Fan Max. 365W @ 3.0A



**STAPLE YOUR RECEIPT HERE**  
**Proof of the original purchase date is needed to obtain service under warranty**

**TO OBTAIN SERVICE UNDER WARRANTY OR FOR ANY SERVICE RELATED QUESTIONS, please call:**  
**1-888-880-8368**

Zephyr Ventilation, LLC (referred to herein as “we” or “us”) warrants to the original consumer purchaser (referred to herein as “you” or “your”) of Zephyr products (the “Products”) that such Products will be free from defects in materials or workmanship as follows:

**Three Year Limited Warranty for Parts:** For three years from the date of your original purchase of the Products, we will provide, free of charge, Products or parts (including LED light bulbs, if applicable) to replace those that failed due to manufacturing defects subject to the exclusions and limitations below. We may choose, in our sole discretion, to repair or replace parts before we elect to replace the Products.

**One Year Limited Warranty for Labor:** For one year from the date of your original purchase of the Products, we will provide, free of charge, the labor cost associated with repairing the Products or parts to replace those that failed due to manufacturing defects subject to the exclusions and limitations below. After the first year from the date of your original purchase, you are responsible for all labor costs associated with this warranty.

**Warranty Exclusions:** This warranty covers only repair or replacement, at our option, of defective Products or parts and does not cover any other costs related to the Products including but not limited to: (a) normal maintenance and service required for the Products and consumable parts such as fluorescent, incandescent or halogen light bulbs, mesh and charcoal filters and fuses; (b) any Products or parts which have been subject to freight damage, misuse, negligence, accident, faulty installation or installation contrary to recommended installation instructions, improper maintenance or repair (other than by us); (c) commercial or government use of the Products or use otherwise inconsistent with its intended purpose; (d) natural wear of the finish of the Products or wear caused by improper maintenance, use of corrosive and abrasive cleaning products, pads, and oven cleaner products; (e) chips, dents or cracks caused by abuse or misuse of the Products; (f) service trips to your home to teach you how to use the Products; (g) damage to the Products caused by accident, fire, floods, acts of God; or (h) Custom installations or alterations that impact serviceability of the Products. If you are outside our service area, additional charges may apply for shipping costs for warranty repair at our designated service locations and for the travel cost to have a service technician come to your home to repair, remove or reinstall the Products. After the first year from the date of your original purchase, you are also responsible for all labor costs associated with this warranty. All Products must be installed by a qualified professional installer to be eligible for warranty repairs or service.

**Limitations of Warranty. OUR OBLIGATION TO REPAIR OR REPLACE, AT OUR OPTION, SHALL BE YOUR SOLE AND EXCLUSIVE REMEDY UNDER THIS WARRANTY. WE SHALL NOT BE LIABLE FOR INCIDENTAL, CONSEQUENTIAL OR SPECIAL DAMAGES ARISING OUT OF OR IN CONNECTION WITH THE USE OR PERFORMANCE OF THE PRODUCTS. THE EXPRESS WARRANTIES IN THE PRECEDING SECTION ARE EXCLUSIVE AND IN LIEU OF ALL OTHER EXPRESS WARRANTIES. WE HEREBY DISCLAIM AND EXCLUDE ALL OTHER EXPRESS WARRANTIES FOR THE PRODUCTS, AND DISCLAIM AND EXCLUDE ALL WARRANTIES IMPLIED BY LAW, INCLUDING THOSE OF MERCHANTABILITY AND FITNESS FOR A PARTICULAR PURPOSE.**

Some states or provinces do not allow limitations on the duration of an implied warranty or the exclusion or limitation of incidental or consequential damages, so the above limitations or exclusions may not apply to you. To the extent that applicable law prohibits the exclusion of implied warranties, the duration of any applicable implied warranty is limited to the same three-year and one-year periods described above if permitted by applicable law. Any oral or written description of the Products is for the sole purpose of identifying the Products and shall not be construed as an express warranty. Prior to using, implementing or permitting use of the Products, you shall determine the suitability of the Products for the intended use, and you shall assume all risk and liability whatsoever in connection with such determination. We reserve the right to use functionally equivalent refurbished or reconditioned parts or Products as warranty replacements or as part of warranty service. This warranty is not transferable from the original purchaser and only applies to the consumer residence where the Product was originally installed located in the United States and Canada. This warranty is not extended to resellers.

**To Obtain Service Under Limited Warranty:** To qualify for warranty service, you must: (a) notify us at the address or telephone number stated below within 60 days of the discovery of the defect; (b) give the model number and serial number; and (c) describe the nature of any defect in the Product or part. At the time of the request for warranty service, you must present evidence of your proof of purchase and proof of the original purchase date. If we determine that the warranty exclusions listed above apply or if you fail to provide the necessary documentation to obtain service, you will be responsible for all shipping, travel, labor and other costs related to the services. This warranty is not extended or restarted upon warranty repair or replacements.

Please check our website for any additional Product information, [www.zephyronline.com](http://www.zephyronline.com).

**Zephyr Ventilation Service Department, 2277 Harbor Bay Parkway, Alameda, CA 94502 1-888-880-8368**

# PRODUCT REGISTRATION

Congratulations on your Zephyr range hood purchase! Please take a moment to register your new range hood at [www.zephyronline.com/registration](http://www.zephyronline.com/registration)

## IT'S IMPORTANT

Prompt registration helps in more ways than one.

- Ensures warranty coverage should you need service.
- Ownership verification for insurance purposes.
- Notification of product changes or recalls.



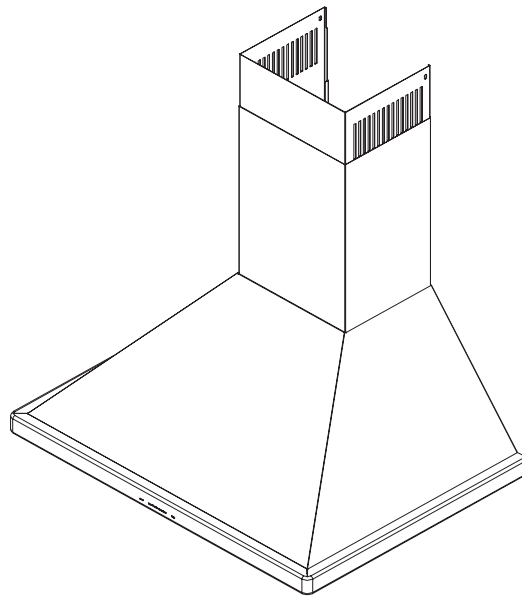
Zephyr Ventilation | 2277 Harbor Bay Pkwy. | Alameda, CA 94502 | 1.888.880.8368



## Siena

ZSI-E30BS

ZSI-E36BS



Model number: \_\_\_\_\_

Serial Number: \_\_\_\_\_





<b>MISE EN GARDE DE SÉCURITÉ</b> .....	2-3
<b>LISTE DU MATÉRIEL</b> .....	4
 <b>INSTALLATION</b>	
Feuille de calcul pour le conduit.....	5
Espace libre et hauteur de montage.....	6
Options d'installation pour le conduit.....	7
Spécifications de la hotte.....	8
Montage de la hotte.....	9
Conversion des conduits horizontaux.....	10-11
Recirculation d'air sans conduit.....	12
 <b>COMMANDES ET CARACTÉRISTIQUES</b>	
ICON Commandes .....	13-14
 <b>ENTRETIEN</b>	
Bande de lumière LED.....///// .....	14
Nettoyage et entretien des filtres .....	15
 <b>DÉPANNAGE</b> .....	16
 <b>CONVERSION D'ACT</b> .....	17
 <b>DIAGRAMMES DES COURBES CARACTÉRISTIQUES DES VENTILATEURS</b> .....	18-19
 <b>SCHÉMA DE CÂBLAGE</b> .....	20
 <b>GARANTIE</b> .....	21
 <b>ENREGISTRMENT DU PRODUIT</b> .....	22

**AVERTISSEMENT**

POUR RÉDUIRE LES RISQUES D'INCENDIE OU DE DÉCHARGE ÉLECTRIQUE, N'UTILISEZ PAS CET APPAREIL AVEC UN TABLEAU DE COMMANDE À SEMI-CONDUCTEURS.

**AVERTISSEMENT**

POUR RÉDUIRE LES RISQUES D'INCENDIE, DE DÉCHARGE ÉLECTRIQUE OU DE BLESSURE, RESPECTEZ CES CONSIGNES :

- N'utilisez cet appareil que de la manière prévue par le fabricant. Si vous avez des questions, communiquez avec le fabricant.
- Avant de procéder au nettoyage ou à l'entretien de l'appareil, éteignez l'alimentation du panneau électrique et bloquez le dispositif de déconnexion pour éviter que l'alimentation électrique ne soit accidentellement rallumée. Si le dispositif de sectionnement d'électricité ne peut être bloqué, attachez un avertissement (comme une étiquette) bien en vue sur le tableau électrique.

**ATTENTION**

Pour ventilation générale seulement. N'utilisez pas cet appareil pour évacuer des vapeurs et des matériaux explosifs ou dangereux. Prenez garde lors de l'utilisation d'agents nettoyants ou de détergents. Ne devrait être utilisé que dans la cuisine de votre maison.

**AVERTISSEMENT**

POUR RÉDUIRE LES RISQUES DE FEU DE GRAISSE SUR LA SURFACE DE CUISSON :

- Ne laissez jamais l'appareil sans surveillance lors de son utilisation à haute température. Les débordements par bouillonnement causent de la fumée et des déversements de graisse qui peuvent prendre feu. Faites chauffer l'huile à des températures basses ou moyennes.
- Allumez toujours la hotte lorsque vous cuisinez à haute température ou que vous faites flamber des aliments.
- Nettoyez fréquemment les ventilateurs de la hotte. La graisse ne devrait jamais s'accumuler dans les ventilateurs ou les filtres.
- Utilisez des poêlons aux dimensions adéquates. Utilisez toujours une batterie de cuisine correspondant aux dimensions de l'élément.
- Assurez-vous que le ventilateur, les filtres et les surfaces où la graisse pourrait s'accumuler sont toujours propres.
- Utilisez le réglage haut de la hotte seulement lorsque nécessaire.
- Ne laissez pas la hotte sans surveillance lorsque vous cuisinez.
- Utilisez toujours une batterie de cuisine et des ustensiles convenant au type et à la quantité de nourriture que vous préparez.

**AVERTISSEMENT**

POUR RÉDUIRE LES RISQUES DE BLESSURE LORS D'UN INCENDIE SUR LA SURFACE DE CUISSON :

- ÉTOUFFEZ LES FLAMMES avec un couvercle, une plaque à biscuits ou un plateau de métal et éteignez ensuite le brûleur. PRENEZ GARDE AUX RISQUES DE BRÛLURE. Si les flammes ne disparaissent pas, ÉVACUEZ LES LIEUX ET APPELEZ LE SERVICE D'INCENDIE.
- NE PRENEZ JAMAIS UN POÊLON EN FEU – Vous pourriez vous brûler.
- N'UTILISEZ PAS D'EAU, ou un linge à vaisselle mouillé – une violente explosion de vapeur s'ensuivra.
- Utilisez un extincteur SEULEMENT si :
  - Vous savez que vous possédez un extincteur de classe ABC et vous savez vous en servir.
  - Le feu est faible et ne s'est pas répandu depuis son point d'origine.
  - Vous avez appelé le service d'incendie.
  - Vous pouvez sortir facilement de l'endroit où vous combattez le feu.

**AVERTISSEMENT**

POUR RÉDUIRE LES RISQUES D'INCENDIE, DE DÉCHARGE ÉLECTRIQUE OU DE BLESSURE, SUIVEZ LES CONSIGNES SUIVANTES :

- Les travaux d'installation et de câblage électrique doivent être faits par une personne qualifiée selon les stipulations de tous les normes et standards en vigueur, dont les normes des constructions ayant une cote de résistance au feu.
- Pour prévenir les contre-explosions, une certaine quantité d'air est nécessaire pour la combustion et l'évacuation des gaz par le carneau (cheminée) de l'appareil de combustion. Respectez les directives du fabricant d'outillage de chauffage et les normes de sécurité comme celles publiées par la NFPA (Association nationale des services d'incendie), par la Société américaine des ingénieurs en chauffage, réfrigération et climatisation (ASHRAE) et par les normes des autorités locales.
- Lorsque vous coupez ou percez un mur ou un plafond, assurez-vous de ne pas endommager le câblage électrique ou toute autre installation technique dissimulée.
- Les ventilateurs canalisés doivent toujours évacuer l'air à l'extérieur.
- N'installez JAMAIS un interrupteur à une distance atteignable depuis un bain ou une douche.
- Assurez-vous que l'alimentation électrique est éteinte avant de procéder à l'installation, au câblage ou à l'entretien de l'appareil

## ATTENTION

POUR RÉDUIRE LES RISQUES D'INCENDIE, N'UTILISEZ QUE DES CONDUITS D'AÉRATION EN MÉTAL.

## ATTENTION

Pour réduire les risques d'incendie et pour évacuer l'air convenablement, assurez-vous de canaliser l'air à l'extérieur de la maison. N'installez pas l'échappement du conduit dans les espaces entre les murs, le plafond, le grenier, les vides sanitaires ou le garage.

## FONCTIONNEMENT

Laissez toujours les grilles de sûreté et les filtres en place. Sans ces éléments, les ventilateurs en marche pourraient accrocher des cheveux, des doigts ou des vêtements amples.

Le fabricant se dégage de toute responsabilité dans les cas de non-respect des instructions transmises dans le présent manuel pour l'installation, l'entretien et l'utilisation adéquate du produit. Le fabricant se dégage également de toute responsabilité pour des blessures qui résulteraient de la négligence lors de l'utilisation. De plus, la garantie prend fin automatiquement lors de l'entretien inapproprié de l'appareil.

**\*NOTE : Veuillez vérifier les actualisations du produit sur le site Web [www.zephyronline.com](http://www.zephyronline.com) avant de procéder à des travaux.**

## EXIGENCES ÉLECTRIQUES

### Important :

Respectez tous les codes et règlements en vigueur.

Il est de la responsabilité du client de :

- Communiquer avec un installateur-électricien qualifié.
- S'assurer que l'installation électrique est adéquate et qu'elle respecte le Code national de l'électricité, la plus récente édition\* du ANSI/NFPA 70 ou des normes du CSA C22.1-94, le Code canadien de l'électricité, section 1, la plus récente édition\*\* du code C22.2 No.0-M91 ainsi que tous les codes et règlements en vigueur.

Si les codes permettent l'utilisation d'un fil de garde isolé et que vous en utilisez un, il est recommandé qu'un électricien qualifié détermine si le cheminement du fil est adéquat.

N'effectuez pas la mise à la terre à un tuyau de gaz.

Demandez à un électricien qualifié si vous n'êtes pas certain que la hotte a été mise à la terre adéquatement.

N'introduisez aucun fusible dans le circuit neutre ou de mise à la terre.

\*National Fire Protection Association Batterymarch Park, Quincy, Massachusetts 02269

\*\* CSA International 8501 East Pleasant Valley Road, Cleveland, Ohio 44131-5575

Cet appareil requiert une alimentation électrique de 120V 60Hz. Il doit être connecté à un circuit terminal individuel dûment mis à la terre, protégé par un disjoncteur de circuit ou un fusible temporisé de 15 ou 20 ampères. Le câblage doit compter 2 fils avec mise à la terre. Veuillez vous référer au Diagramme électrique étiqueté sur l'appareil.

Un raccord de câble (non inclus) pourrait également être exigé par les normes et réglementations locales. Informez-vous des exigences et des normes locales. Achetez et installez le connecteur approprié si nécessaire.

ZSI-E30BS / ZSI-E36BS - 439 Watts, 3.7 Ampères

La consommation énergétique indiquée ci-dessus s'applique aux spécifications par défaut. Les hottes de Zephyr dont la technologie de contrôle du débit d'air (ACT) est activée consomment moins d'énergie. Consultez le schéma de câblage à la fin du manuel pour obtenir de plus amples renseignements.

Prop. 65 Avertissement pour les résidents californiens



## AVERTISSEMENT:

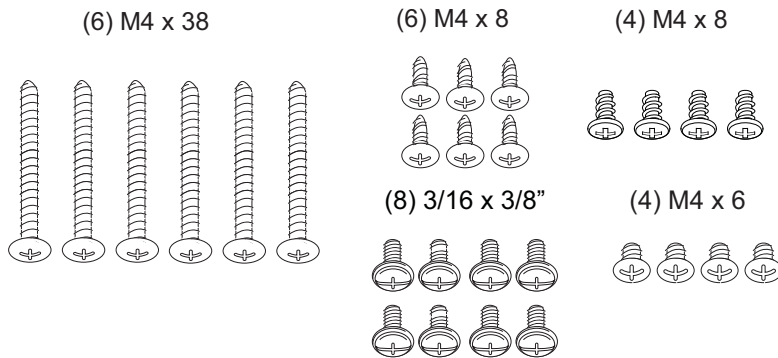
Cancer et troubles de l'appareil reproducteur  
[www.P65Warnings.ca.gov](http://www.P65Warnings.ca.gov)

**MODÈLES: ZSI-E30BS, ZSI-E36BS**

**PIÈCES FOURNIES**

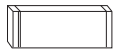

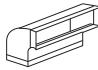
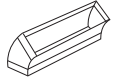

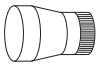
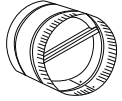


- 1 - Hotte avec ventilateur interne
- 2 - Filtres déflecteurs
- 1 - Ensemble de recouvrement de conduit (parties supérieure et inférieure)
- 1 - Support mural pour le recouvrement de conduit
- 1 - 9W Brite Strip™ LED
- 1 - Registre antirefoulement circulaire de 8"
- 1 - Registre antirefoulement rectangulaire de 3-1/4" x 10"
- 1 - Plaque Supérieure
- 2 - Supports de montage du moteur de conduit arrière
- 1 - Trousse de quincaillerie

**CONTENU DE LA TROUSSE DE QUINCAILLERIE**

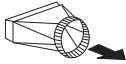
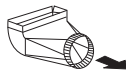
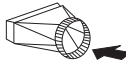
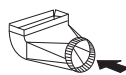
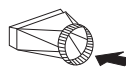
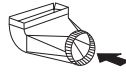
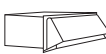
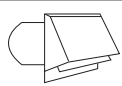



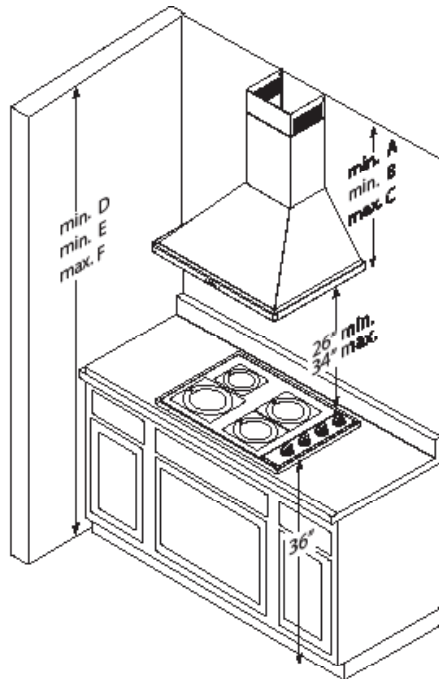
**PIÈCES NON FOURNIES**

- Conduit et tous les outils d'installation
- Raccord de câble (si exigé par les codes en vigueur)
- Accessoire – prolongement pour recouvrement de conduit
- Accessoire – recirculation d'air

Pièces de conduit		Longueur x Nombre utilisé =	Total
	3-1/4" x 10" rect., droit	1 pi x ( ) =	pi
	6", 7", 8", 10" circ., droit	1 pi x ( ) =	pi
	3-1/4" x 10" rect., coude à 90°	15 pi x ( ) =	pi
	3-1/4" x 10" rect., coude à 45°	9 pi x ( ) =	pi
	3-1/4" x 10" rect., coude plat à 90°	24 pi x ( ) =	pi
	7" to 6" or 8" to 7" circ. réducteur conique	25 pi x ( ) =	pi
	6", 7", 8" circ. bouchone de l'air	15 pi x ( ) =	pi
	6", 7", 8", 10" circ., coude à 90°	15 pi x ( ) =	pi
	6", 7", 8", 10" coude à 45°	9 pi x ( ) =	pi
Sous-total - colonne 1 =			pi

**Longueur maximale du conduit d'aération :**  
Pour un mouvement d'air convenable, la longueur totale d'un conduit d'aération ne devrait pas compter plus que l'équivalent de 100 pieds.

Pièces de conduit		Longueur x Nombre utilisé =	Total
	6" circ. à rect. de 3-1/4" x 10"	5 pi x ( ) =	pi
	6" circ. à rect. de 3-1/4" x 10", coude à 90°	20 pi x ( ) =	pi
	6" circ. à rect. de 3-1/4" x 10"	1 pi x ( ) =	pi
	6" circ. à rect. de 3-1/4" x 10", coude à 90°	16 pi x ( ) =	pi
	7" circ. à rect. de 3-1/4" x 10"	8 pi x ( ) =	pi
	7" circ. à rect. de 3-1/4" x 10", coude à 90°	23 pi x ( ) =	pi
	3-1/4" x 10" embout mural rect./registre	30 pi x ( ) =	pi
	6", 7", 8", 10" embout mural circ./registre	30 pi x ( ) =	pi
	6", 7", 8", 10" chapeau de toiture circ.	30 pi x ( ) =	pi
Sous-total - colonne 2 =			pi
Sous-total - colonne 1 =			pi
Total du conduit =			pi



Hauteur de la hotte	Recouvrement de conduit standard	Prolongement de rec. de conduit
min. avec conduit (A)	27-1/2"	46 1/2"
min. avec recirc. d'air (B)	32"	50-1/2"
maximum (C)	42"	79"
<b>Hauteur de plafond</b>		
min. avec conduit (D)	89-1/2" (7' 5-1/2")	108 1/2" (9' 1/2")
min. avec recirc. d'air (E)	94" (7' 10")	112-1/2" (9' 4-1/2")
maximum (F)	112" (9' 4")	149" (12' 5")

## CONDUIT D'AÉRATION

Un conduit circulaire de 8" doit être utilisé pour assurer une circulation d'air maximale.

N'utilisez que des conduits en métal rigide. Les conduits souples pourraient réduire la circulation d'air jusqu'à 50 %.

Utilisez la feuille de calcul de la page 5 pour obtenir la longueur totale du conduit.

Lorsqu'il est possible de le faire, diminuez TOUJOURS le nombre de pièces et de changements de direction. Si un long tronçon de conduit est nécessaire, augmentez le diamètre du conduit de 8" à 10".

Si des changements de direction ou des adaptateurs sont nécessaires, installez-les le plus loin possible de l'ouverture et le plus éloigné possible l'un de l'autre.

La hauteur de montage minimale ne devrait pas être moins de 26".

La hauteur de montage maximale ne devrait pas dépasser 34".

Il est important d'installer la hotte à la hauteur de montage adéquate. Les hottes installées trop basses pourraient être endommagées par la chaleur en plus de présenter des risques d'incendie plus élevés tandis que les hottes installées trop hautes seront difficiles à atteindre et verront leur efficacité et leur rendement réduits.

Si elles sont disponibles, consultez les exigences de hauteur d'espace libre requise par le fabricant de la cuisinière ainsi que la hauteur recommandée de montage de la hotte au-dessus de la surface de cuisson. Informez-vous toujours des normes et des réglementations locales en vigueur pour toute différence par rapport aux normes du fabricant.

Ensemble de recouvrement de conduit disponible pour les plafonds atteignant 12 pieds. N° de pièce et information pour commander disponibles à la page 15.

### ENDOMMAGEMENT LORS DE LA LIVRAISON/ INSTALLATION:

- Veuillez vous assurer que toutes les pièces de l'appareil ne sont pas endommagées avant l'installation.
- Si l'appareil est endommagé durant la livraison, retournez l'appareil à l'endroit où vous l'avez acheté pour réparation ou remplacement.
- Si l'appareil est endommagé par le client, la réparation ou le remplacement est à la charge du client.
- Si l'appareil est endommagé par l'installateur (si autre que le client), le client et l'installateur doivent venir à une entente pour la réparation ou le remplacement.



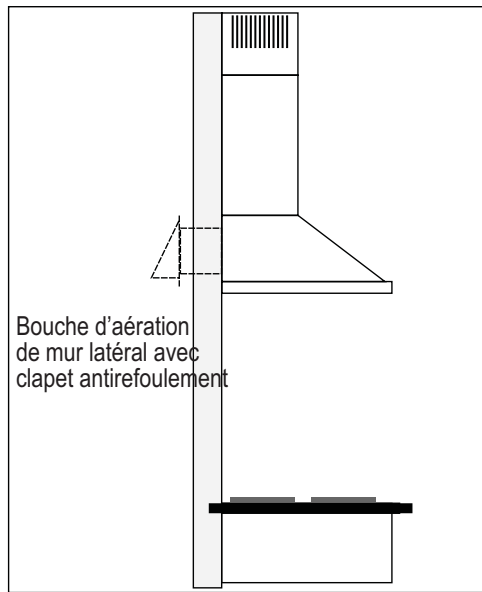
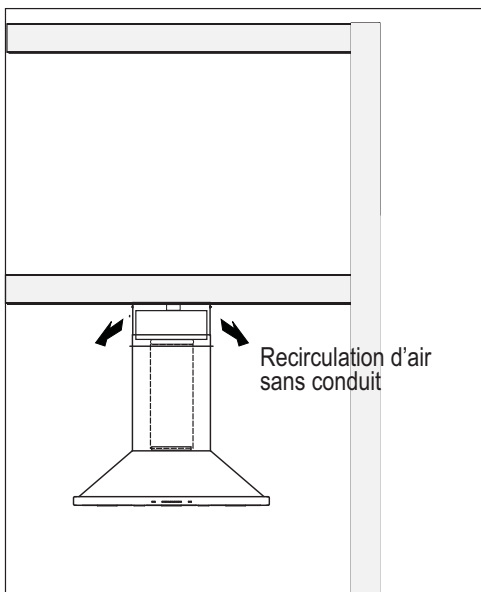
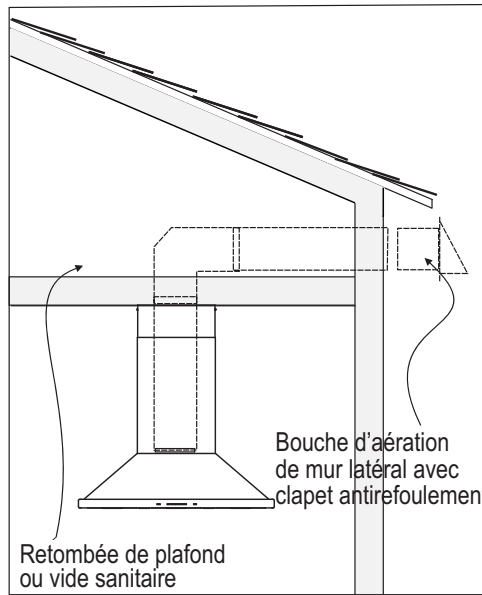
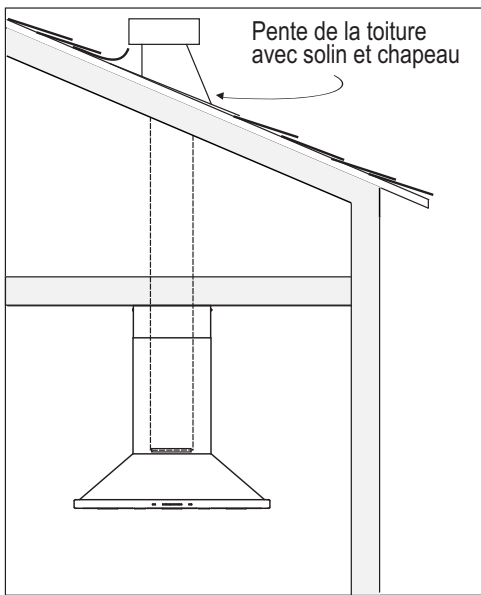
**AVERTISSEMENT DE RISQUE D'INCENDIE**

N'évacuez ou ne terminez JAMAIS l'échappement du conduit dans les espaces entre les murs, les vides sanitaires, le plafond, le grenier, ou le garage. Tous les échappements doivent être dirigés à l'extérieur de la maison, à moins que l'option de recirculation d'air ne soit utilisée.

N'utilisez que des conduits en métal pour cloison simple.

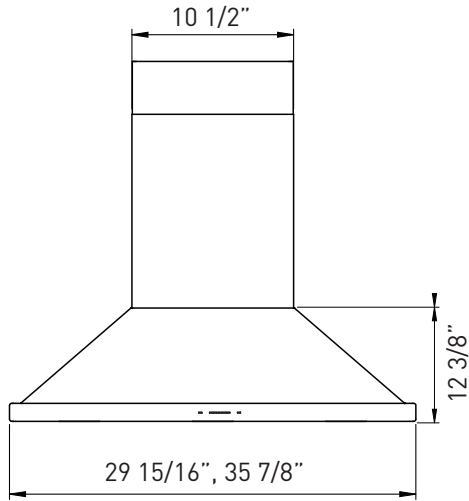
Fixez toutes les pièces du conduit avec des vis à tôle et isolez tous les joints avec du ruban adhésif en toile ou du ruban réflecteur certifié.

**Quelques options pour le conduit d'aération**

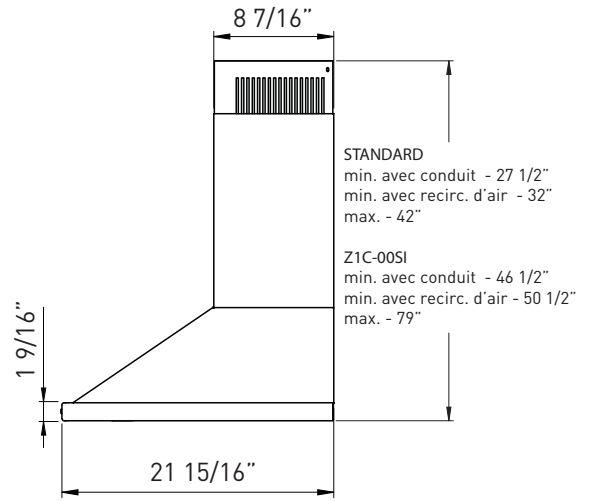


**Installation – Spécifications de la hotte**

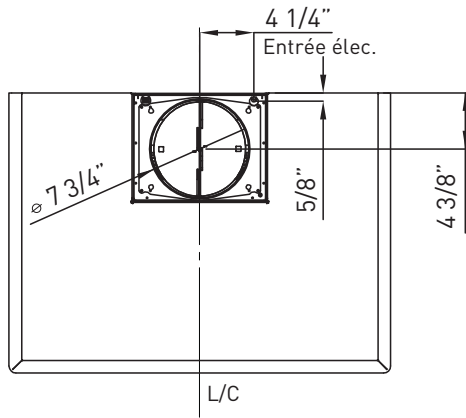
**Devant de la hotte**



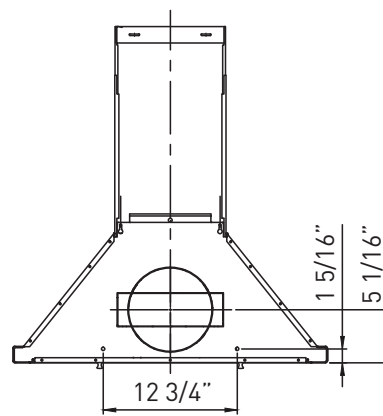
**Côté de la hotte**



**Dessus de la hotte**



**Arrière de la hotte**



**⚠ ATTENTION : Compte tenu du poids et des dimensions de la hotte, au moins deux installateurs sont nécessaires.**

1. Prenez la mesure entre la surface de la cuisinière et la base de la hotte; marquez la ligne A (min. 26" à partir du dessus de la cuisinière).
  2. Marquez la ligne centrale avec exactitude.
  3. Marquez la ligne de hauteur de montage B (à 1-5/16" de la ligne A).
  4. Marquez la ligne de hauteur de montage C (à 13-1/8" de la ligne A).
  5. Marquez la largeur de montage B à partir de la L/C (12-3/4").
  6. Marquez la largeur de montage C à partir de la L/C (9-7/16").
  7. Fixez (2) vis M4 x 38 aux poutres de la ligne C. Ne tournez pas les vis jusqu'au fond. **Note : Vous pourriez avoir à ajouter des renforcements de bois derrière la cloison sèche si aucune poutre n'est présente. Des dispositifs d'ancrage au mur peuvent également être utilisés, mais vérifiez d'abord les réglementations locales avant d'utiliser de tels dispositifs. Le fait de ne pas utiliser des ancrages muraux et des vis convenables pour soutenir le poids de la hotte pourrait entraîner des blessures ou endommager la surface de cuisson ou le comptoir.**
  8. Installez le collier du conduit circulaire de 8" avec registre antirefoulement sur la partie supérieure du bâti de la hotte à l'aide de quatre (4) vis à tête plate M4 x 8.
  9. Suspendez la hotte aux vis et serrez-les à la main (FIG. A #1). Utilisez la dernière vis M4 x 38 pour fixer plus solidement la hotte au mur à partir de l'intérieur de la hotte.
  10. Centrez et fixez à l'aide de (2) vis M4 x 38 le support de montage du recouvrement de conduit au mur juste en dessous du plafond ou de la retombée de plafond.
  11. Procédez à l'installation des composantes électriques.
  12. \*Installez le conduit et appliquez le ruban à conduit.
  13. Allumez la hotte et assurez-vous qu'il n'y a pas de fuites autour du ruban à conduit.
  14. Fixez les plaques de recouvrement coulissantes du conduit à la hotte et faites glisser la plaque de recouvrement intérieure (partie supérieure) vers le haut. Fixez-la au support de fixation du recouvrement de conduit à l'aide de deux (2) vis M4 x 8.
- \* Si vous utilisez le mode de reprise d'air, vous devez fixer la plaque du déflecteur d'air au mur avant d'installer le conduit et les pièces de recouvrement du conduit. Vous aurez également à installer des filtres à charbon et des supports. Consultez la page 10 pour obtenir plus de détails.

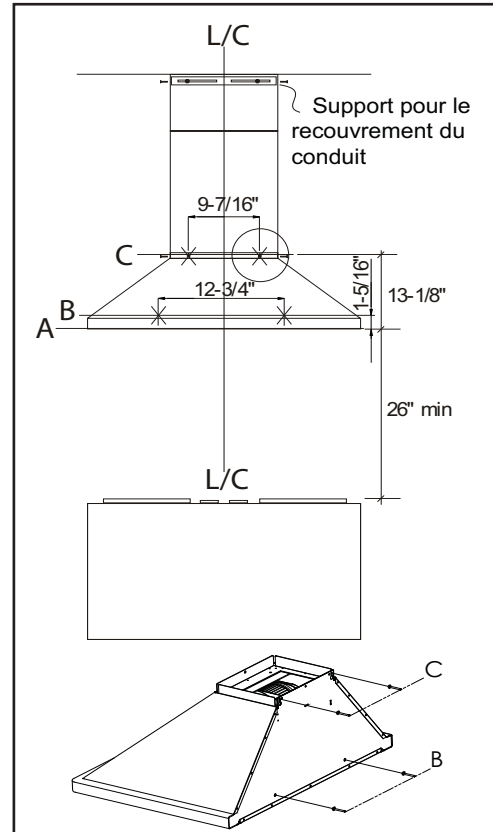


FIG. A

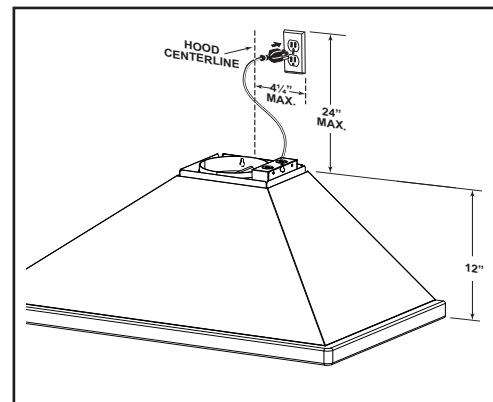
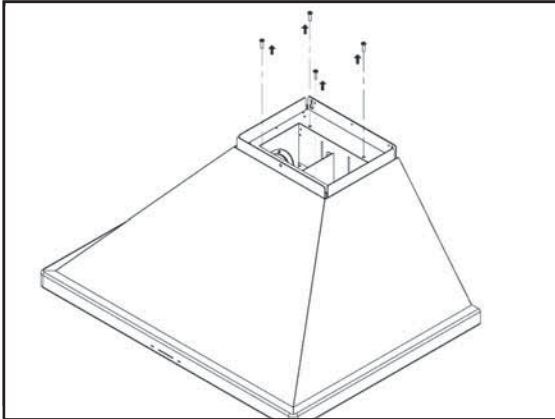


FIG. B

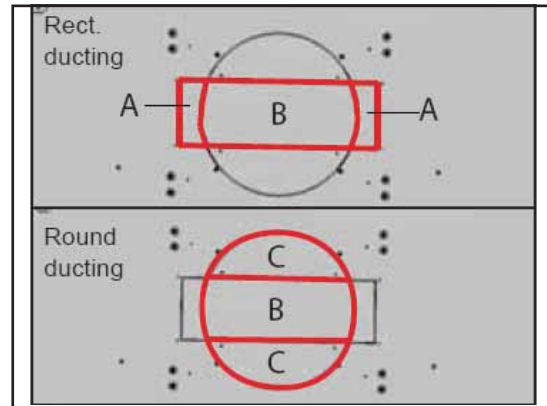
**⚠ AVERTISSEMENT : Le câblage électrique doit être réalisé par une personne qualifiée en conformité avec tous les codes et toutes les normes en vigueur. Cette hotte doit être mise à la terre convenablement. Coupez l'alimentation électrique du panneau électrique avant de procéder au câblage.**

Cette hotte de cuisinière est équipée de série d'un conduit vertical de 8 po. Pour convertir un conduit vertical rond de 8 po en un conduit horizontal rond de 8 po ou un conduit horizontal rectangulaire de 3 1/4 po x 10 po, veuillez suivre les instructions ci-dessous

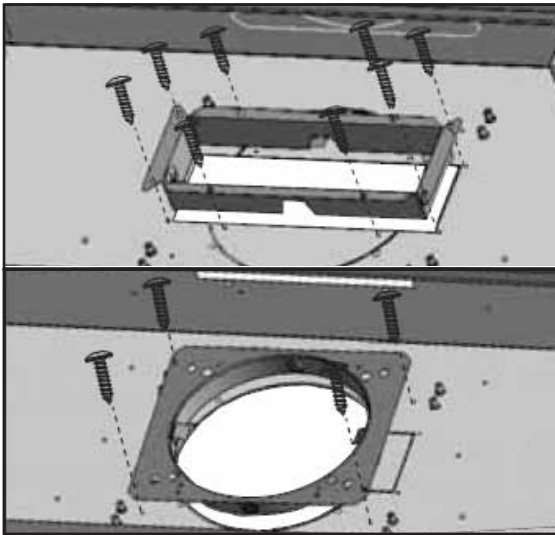
### CONVERSION VERTICALE À HORIZONTALE



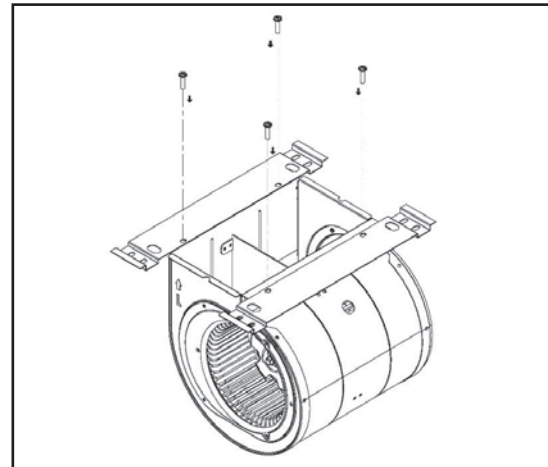
1. Retirez les 4 vis fixant le moteur au corps de la hotte.



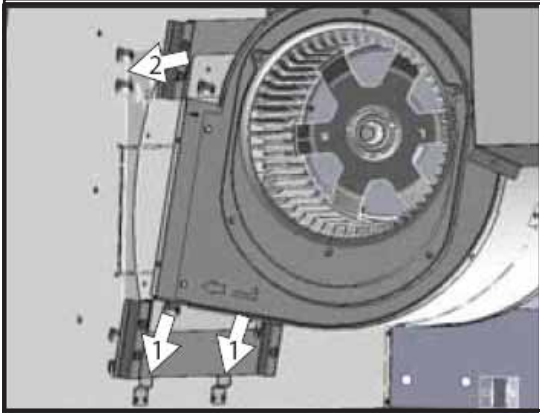
2. Enlevez la plaque à défoncer A & B pour les conduits rectangulaires ou défaites les plaques B et C pour les conduits ronds



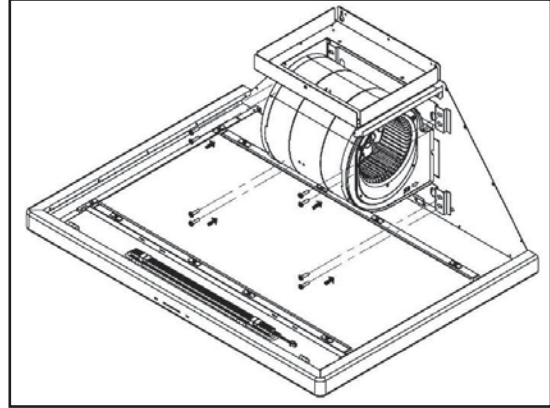
3. Fixez le collier de conduit rectangulaire ou rond à l'intérieur du corps de la hotte à l'aide de (4) vis.



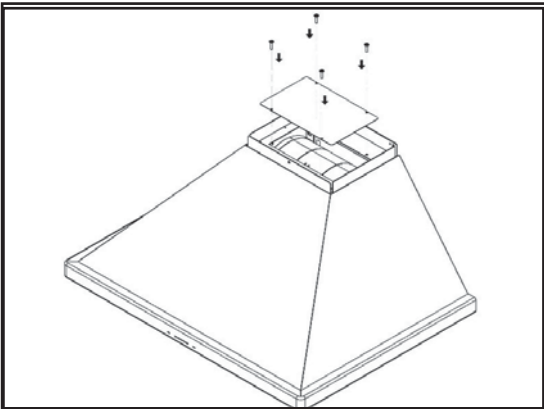
4. Fixez les supports de gaine arrière au moteur au moyen de (4) vis.



5. Positionnez le ventilateur avec les supports comme indiqué. Assurez-vous de replacer le support du ventilateur dans les languettes à l'arrière de la hotte. Fixez la plaque de soufflante unique à l'arrière de la hotte à l'aide de (4) vis retirées de l'étape 2.



6. Fixez le moteur à l'arrière du corps de la hotte à l'aide de (8) vis.



7. À partir du corps de la hotte extérieure, fixez la plaque de recouvrement supérieure au haut du corps de la hotte à l'aide de (4) vis de M4 x 8.

La configuration de reprise sans conduit a été conçue pour les applications où il est impossible d'installer un conduit d'aération. Lorsque transformée, la hotte fonctionne comme une hotte de recirculation d'air plutôt que comme un système d'évacuation d'air. Les vapeurs et fumées de cuisson sont aspirées et filtrées par un ensemble optionnel de filtres à charbon. L'air est ensuite purifié et redirigé à l'intérieur de la maison.

Nous recommandons de TOUJOURS évacuer l'air à l'extérieur de la maison en utilisant le conduit en place ou, s'il y a possibilité, en installant un nouveau conduit. La hotte est plus efficace lorsqu'utilisée comme système d'évacuation d'air. Vous ne devriez recourir à la configuration de recirculation d'air que lorsqu'il est impossible d'installer un conduit d'aération.

Lorsque la configuration de recirculation d'air est choisie, un ensemble de filtres à charbon doit être installé sur l'ensemble de filtres déflecteurs standards. Commandez-les en vous référant au numéro de pièce ci-dessous. Les filtres déflecteurs standards sont conçus pour capturer les résidus de cuisson et les filtres à charbon optionnels aident à la purification des vapeurs et fumées de la cuisson lors de la recirculation d'air.

### TROUSSE DE RECIRCULATION D'AIR (REQUIS SI AUCUN CONDUIT N'EST UTILISÉ)

L'ensemble comprend des filtres à charbon, des supports de filtres à charbon et un déflecteur d'air.

Modèle de hotte	Numéro de pièce	Filtres par paquet
ZSI-E30BS	ZRC-00SI	2
ZSI-E36BS	ZRC-00SI	2

1. Fixez la plaque du déflecteur d'air au mur, sous le support de recouvrement de conduit (FIG.C).
2. Enlevez les filtres déflecteurs de la hotte. Installez les filtres à charbon sur le côté arrière des filtres déflecteurs.
3. Fixez les filtres à charbon au côté arrière des filtres déflecteurs en utilisant deux attaches par filtre.
4. Remettez les filtres déflecteurs en place.
5. Activez l'indicateur de changement des filtres à charbon sur le tableau de commande (consultez les détails à la page 12). Le microprocesseur des commandes vous informera de la nécessité de changer les filtres à charbon après 120 heures d'utilisation. Commandez des filtres à charbon de remplacement apparaissant sur la liste ci-dessous.

NOTE : Consultez le manuel fourni avec la trousse de recirculation d'air pour obtenir de plus amples renseignements.

### Filtres à charbon de remplacement

Modèle de hotte	Numéro de pièce	Qtée à commander
ZSI-E30BS	Z0F-C091	2
ZSI-E36BS	Z0F-C091	2

NE NETTOYEZ PAS LES FILTRES À CHARBON. Vous pourriez avoir à changer les filtres à charbon plus souvent selon vos habitudes culinaires.

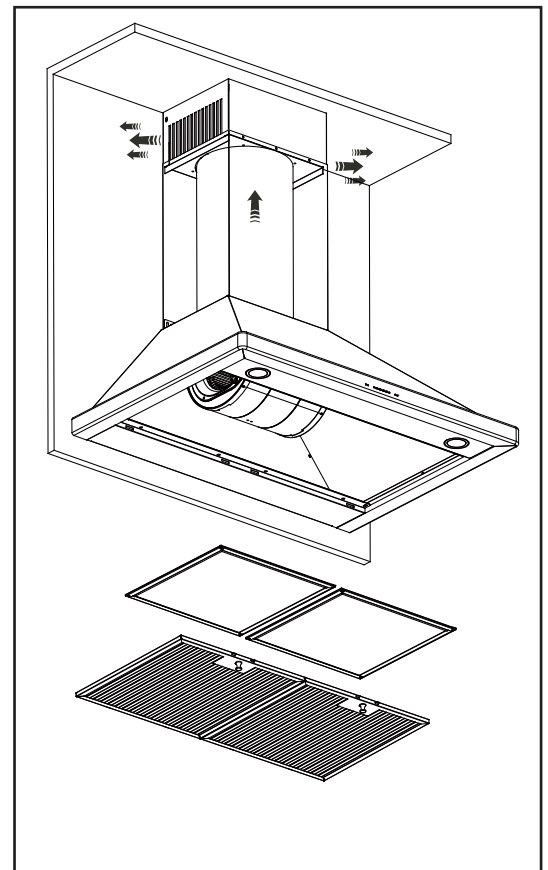
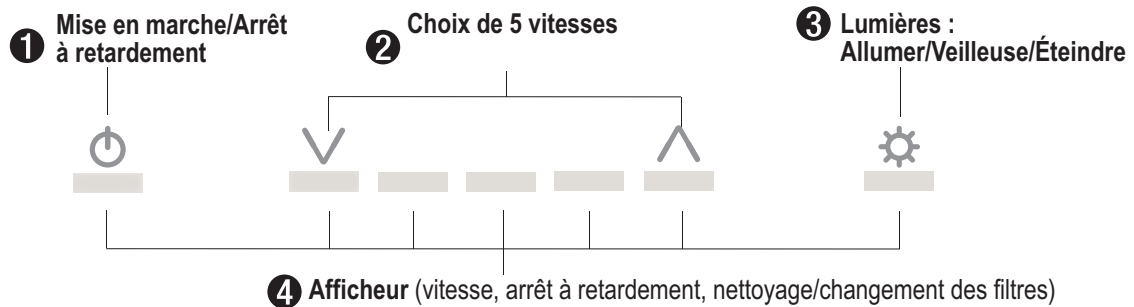


FIG.C



## 1 MISE EN MARCHE/ARRÊT À RETARDEMENT

### Fonction de la touche de mise en marche

- La touche permet d'allumer et d'éteindre toutes les fonctions de la hotte (ventilateurs et lumières).
- La hotte se rappelle la dernière vitesse et le dernier niveau d'éclairage utilisés.  
(Exemple : Appuyez sur la touche lorsque le ventilateur fonctionne à la vitesse 4 et que les lumières sont allumées à haute intensité. Si vous appuyez de nouveau sur la touche , le ventilateur repart à la vitesse 4 et les lumières se rallument à haute intensité.)

### Fonction de la touche d'arrêt à retardement

- Lorsque le ventilateur est en cours d'utilisation, appuyez sur la touche et maintenez-la enfoncée pendant deux secondes. Le ventilateur passe à la vitesse 1 et le compte à rebours de la minuterie de l'arrêt à retardement commence.  
Les DEL et s'illuminent et clignotent lentement en fonction du temps qu'il reste avant l'arrêt automatique du ventilateur et des lumières.
- Appuyez sur la touche lorsque la fonction d'arrêt à retardement est en cours d'utilisation pour éteindre la hotte et annuler la fonction d'arrêt à retardement.

### Vérification de la TCDA

- La technologie de contrôle du débit d'air permet à l'installateur d'ajuster la quantité maximale d'évacuation de  $\text{pi}^3/\text{min}$  du ventilateur afin de respecter les codes et règlements en vigueur.
  - Pour vérifier la quantité maximale d'évacuation de  $\text{pi}^3/\text{min}$  du ventilateur :
    - Lorsque la hotte est éteinte, appuyez sur la touche et maintenez-la enfoncée pendant deux secondes. Si cinq icônes de ventilateur s'illuminent, le réglage est ajusté au maximum. Si quatre icônes s'illuminent, le maximum est de  $390 \text{ pi}^3/\text{min}$ . Si trois icônes s'illuminent, le maximum est de  $290 \text{ pi}^3/\text{min}$ .

## 2 TOUCHE DE CHOIX DE VITESSE

### Touche de réduction de vitesse du ventilateur

- Appuyez sur cette touche pour réduire la vitesse du ventilateur. 5, 4, 3, 2, 1.
- Si le ventilateur est à la vitesse 1 et que vous appuyez sur cette touche, le ventilateur s'éteint.

### Touche d'augmentation de vitesse du ventilateur

- Appuyez sur cette touche pour augmenter la vitesse du ventilateur. 1, 2, 3, 4, 5.
- Si le ventilateur est éteint et que vous appuyez sur cette touche, le ventilateur s'allume à la vitesse 1.

### Choix de vitesse avec TCDA activée

- Lorsque la TCDA est activée, le nombre de vitesses du ventilateur est réduit comme suit :
  - $390 \text{ pi}^3/\text{min}$  = 4 vitesses maximum
  - $290 \text{ pi}^3/\text{min}$  = 3 vitesses maximum

**3 TOUCHE DE CONTROLE DES LUMIERES ✨**

- Il existe deux intensités : haute et basse.
- Lorsque les lumières sont éteintes, appuyez une fois pour les allumer à haute intensité. Appuyez de nouveau pour les mettre en veilleuse. Appuyez encore une fois pour les éteindre.

**4 AFFICHEUR****Rappel de nettoyage des filtres à tamis** *(toujours activé)*

- Après 30 heures d'utilisation du ventilateur, l'icône ▼ commence à clignoter lentement, indiquant qu'il est temps de nettoyer les filtres à tamis.
- **Pour réinitialiser** : Lorsque la hotte est éteinte : tenez la touche ▼ enfoncée pendant trois secondes. Tous les indicateurs DEL clignotent deux fois, confirmant la réinitialisation de la minuterie de 30 heures.

**Indicateur de remplacement des filtres à charbons** *(désactivé par défaut, doit être activé lors de l'utilisation du mode de recirculation d'air)*

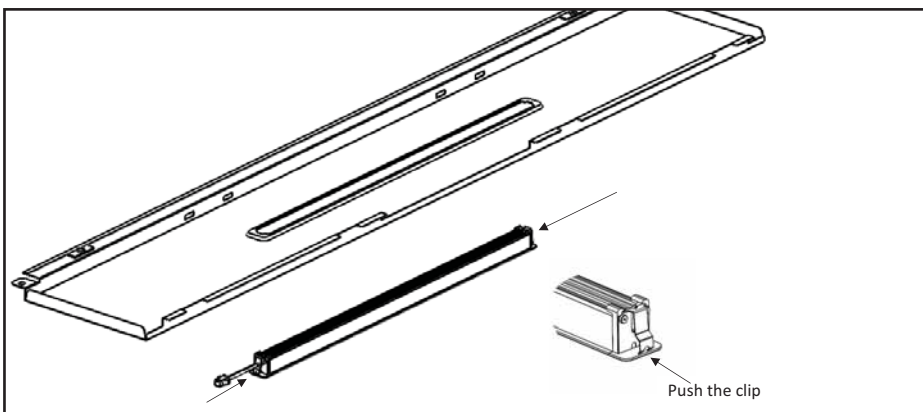
- Pour activer le rappel de remplacement des filtres à charbon :
  - Lorsque la hotte est éteinte, tenez les touches ▲ et ✨ enfoncées simultanément pendant deux secondes. Tous les indicateurs DEL s'illuminent pendant trois secondes, confirmant l'activation du rappel de remplacement des filtres à charbon.
- Pour désactiver le rappel de remplacement des filtres à charbon :
  - Lorsque la hotte est éteinte, tenez les touches ▲ et ✨ enfoncées simultanément pendant deux secondes. Tous les indicateurs DEL clignotent deux fois, confirmant la désactivation du rappel de remplacement des filtres à charbon.
- Après 120 heures d'utilisation du ventilateur, la touche ▲ clignote lentement, indiquant que les filtres à charbon doivent être remplacés.
- **Pour réinitialiser** : Lorsque la hotte est éteinte : tenez la touche ▲ enfoncée pendant deux secondes. Tous les indicateurs DEL clignotent deux fois, confirmant la réinitialisation de la minuterie de 120 heures.

**LED LIGHT STRIPS**

Dans l'éventualité peu probable d'une défaillance de votre bande LED, veuillez contacter Zephyr pour commander des pièces de rechange. Voir la liste des pièces et accessoires à la page pour les numéros de pièces et les coordonnées.

Pour remplacer la bande lumineuse LED

1. Retirez les filtres à mailles en aluminium.
2. Retirez le panneau d'éclairage à l'aide de deux vis.
3. Débranchez le connecteur rapide du bandeau lumineux à LED.
4. Appuyez sur les deux clips latéraux situés aux extrémités de la bande de LED.
5. Poussez le ruban lumineux à travers l'ouverture du panneau lumineux.





## ENTRETIEN DES SURFACES

Nettoyez régulièrement les surfaces de la hotte avec de l'eau savonneuse chaude et un chiffon de coton propre. N'utilisez pas de détergent abrasif ou corrosif, de laines d'acier ou de tampons à récurer; ils égratigneront et endommageront les surfaces.

Pour les taches plus tenaces, utilisez du produit dégraissant liquide.

Après le nettoyage, vous pouvez polir les surfaces avec des produits de polissage à acier inoxydable non abrasifs pour redonner de l'éclat et du lustre aux surfaces. Frottez toujours doucement, avec un chiffon de coton propre, et dans le sens du grain.

N'utilisez pas de produits à blanchir au chlore ou d'agents nettoyants « orange ».

### Filter défecteurs

Les filtres défecteurs installés par le fabricant ont pour fonction de filtrer les résidus et la graisse de cuisson. Ils ne nécessitent aucun remplacement sur une base régulière, mais doivent être gardés propres.

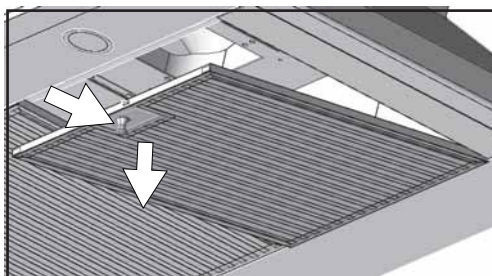
Enlevez-les et nettoyez-les à la main ou au lave-vaisselle avec de l'eau tiède. Vaporisez avec du détergent pour graisse et laissez tremper pour éliminer la saleté accumulée.

Séchez les filtres et réinstallez-les avant d'utiliser la hotte.

### Pour enlever les filtres défecteurs

1. Poussez sur les poignées à ressort
2. Tirez sur la poignée du filtre vers le bas pour enlever le filtre

Si les filtres se détériorent en raison de leur âge ou d'une utilisation prolongée, veuillez les remplacer par les pièces suivantes



## DESCRIPTION

### Pièces de remplacement

Filtre défecteur (unité)

## N° DE PIÈCE

50200050

### Accessoires optionnels

Trousse de recirculation d'air

ZRC-00SI

Filtre à charbon de remplacement (unité)

Z0F-C091

Trousse de prolongement de recouvrement de conduit

Z1C-00SI

Pour commander des pièces, visitez notre site Web au <http://www.zephyronline.com> ou communiquez avec nous par téléphone au 1-888-880-8368

## Dépannage

## PROCÉDURES DE DÉPANNAGE POUR LA HOTTE SIENA WALL

Problème	Cause	Solution
Après l'installation, l'appareil ne fonctionne pas.	1. Le bloc d'alimentation n'est pas allumé	1. Assurez-vous que l'alimentation du disjoncteur et de l'appareil est allumée
	2. La ligne électrique et le raccord de câble ne sont pas correctement branchés	2. Vérifiez que le branchement de l'appareil a été fait correctement
	3. Les câbles du tableau de commandes sont desserrés.	3. Assurez-vous que les câbles du tableau de commandes sont branchés correctement.
	4. Les fils électriques du tableau de contrôle et de commande sont débranchés	4. Assurez-vous que les fils électriques entre les tableaux de contrôle et de commande sont branchés convenablement
	5. Tableau de contrôle/commande défectueux	5. Remplacez le tableau de contrôle/commande
Les lumières fonctionnent, mais le ventilateur ne tourne pas.	1. Le câble du ventilateur est débranché.	1. Vérifiez tous les câbles du ventilateur pour vous assurer qu'ils sont adéquatement branchés.
	2. Le ventilateur est défectueux, possiblement bloqué	2. Remplacez le ventilateur
	3. Le système de protection thermique détecte que le moteur est trop chaud pour fonctionner et l'éteint.	3. Le moteur fonctionnera normalement lorsque le système de protection thermique aura refroidi
	4. Tableau de contrôle/commande défectueux	4. Remplacez la pièce défectueuse
L'appareil vibre.	1. Le moteur n'est pas bien fixé en place	1. Fixez solidement le moteur en place
	2. La roue du ventilateur est endommagée	2. Remplacez le ventilateur
	3. La hotte n'est pas bien fixée en place	3. Vérifiez l'installation de la hotte
L'appareil émet un sifflement.	1. L'un des filtres est mal placé.	1. Ajustez les filtres jusqu'à ce que le sifflement cesse.
	2. Les joints des tuyaux ne sont pas bien scellés ou les conduits ne sont pas connectés adéquatement.	2. Vérifiez les joints du conduit pour vous assurer qu'ils sont adéquatement scellés.
Le moteur fonctionne, mais pas les lumières.	1. L'ampoule LED est défectueuse	1. Remplacez l'ampoule LED
	2. Le câble de l'ampoule LED est desserré.	2. Vérifiez les connexions des câbles de l'ampoule au tableau de commande et au niveau des ampoules. Rebranchez les câbles qui sont desserrés.
Le ventilateur s'allume seul	1. Une lumière ou lampe de la cuisine éclaire directement le tableau de commande.	1. Le tableau de commande est sensible à la lumière. Une source de lumière directe sur le tableau de commande peut perturber les fonctions des interrupteurs.
Les différentes vitesses du ventilateur semblent toutes les mêmes.	1. Vous n'utilisez pas le bon diamètre de conduit.	1. Installez un conduit circulaire d'au moins 8".
La hotte ne fonctionne pas bien.	1. La hotte est possiblement installée trop haut par rapport à la cuisinière	1. Ajustez la distance entre la surface de la cuisinière et la base de la hotte entre 26" et 34"
	2. Du vent provenant d'une fenêtre ou d'une porte ouverte avoisinante nuit à la ventilation	2. Fermez toutes les portes et fenêtres pour éliminer les courants d'air
	3. L'ouverture du conduit ou le conduit lui-même est bloqué	3. Fermez toutes les portes et fenêtres pour éliminer les courants d'air
	4. L'ouverture du conduit est contre le vent	4. Ajustez l'orientation de l'ouverture du conduit
	5. Mauvaises dimensions de conduit d'aération	5. Remplacez le conduit par un conduit adéquat de 8" ou plus.
Le filtre en métal vibre.	1. Le filtre en métal est desserré	1. Assurez-vous que les attaches métalliques de la poignée ne sont pas bloquées. Ou remplacez le filtre à tamis.
	2. Le ressort du filtre est brisé ou desserré.	2. Désinstallez et réinstallez le filtre, poussez le loquet du filtre vers le haut. Remplacez le filtre s'il le faut.

### Technologie de contrôle du débit d'air (ACT)

Certains codes et règlements limitent la quantité maximale de  $\text{pi}^3/\text{min}$  qu'une hotte peut extraire. La ACT permet de contrôler la quantité maximale de  $\text{pi}^3/\text{min}$  qu'évacuent un éventail de hottes Zephyr, éliminant la nécessité d'acheter un dispositif d'air d'appoint dispendieux. La ACT permet à l'installateur d'ajuster facilement la vitesse maximale du ventilateur à l'un des niveaux de  $\text{pi}^3/\text{min}$  les plus fréquemment utilisés : 390  $\text{pi}^3/\text{min}$  ou 290  $\text{pi}^3/\text{min}$ . Il est possible que l'utilisation de la ACT ne soit pas requise pour votre installation. Veuillez vérifier les codes en vigueur dans votre région pour connaître les restrictions en matière de pieds cubes par minute.

**Par défaut, le nombre maximal de  $\text{pi}^3/\text{min}$  du ventilateur est de 650.**

### ATTENTION:

Avant de suivre les instructions apparaissant ci-dessous, veuillez débrancher la hotte de sa source d'alimentation. Le non-respect de cette consigne peut provoquer une lésion corporelle ou endommager l'appareil.

#### Pour activer ACT

1. Avant de procéder à l'installation de la hotte, accédez à la carte de circuits imprimés en suivant les étapes de la FIG. J.
2. Modifiez la position des cavaliers de plastique comme illustre sur la FIG. K pour ajuster le débit d'air au nombre maximal de  $\text{pi}^3/\text{min}$  désiré.
3. Reinstallez la carte de circuits imprimés au boîtier de la carte de circuits imprimés et continuez l'installation de la hotte.
4. Prenez l'étiquette d'aluminium appropriée indiquant le nombre de  $\text{pi}^3/\text{min}$  inclus avec les documents de la hotte et placez-le à l'intérieur du boîtier de l'appareil, sous l'étiquette du schéma de câblage ou à un autre endroit visible.

**NOTE:** Après avoir modifié la position du cavalier et branché l'appareil, le débit de la hotte ne peut être modifié à nouveau.

#### Pour vérifier si votre installateur a activé la ACT

Appuyez sur la touche de mise en marche et tenez-la enfoncée pendant trois secondes lorsque la hotte est éteinte. Si cinq indicateurs DEL s'allument, la hotte est réglée pour évacuer le maximum de  $\text{pi}^3/\text{min}$  par défaut; si trois indicateurs DEL s'allument, la hotte est réglée pour évacuer un maximum de 390  $\text{pi}^3/\text{min}$ ; si deux indicateurs DEL s'allument, la hotte est réglée pour évacuer un maximum de 290  $\text{pi}^3/\text{min}$ .

Si la ACT est activée, le nombre de vitesses du ventilateur est réduit, comme suit : 390  $\text{pi}^3/\text{min}$  = 4 vitesses max.; 290  $\text{pi}^3/\text{min}$  = 3 vitesses max.

Une étiquette en aluminium devrait également se trouver à l'intérieur du pavillon de la hotte, près du schéma de câblage indiquant le nombre de  $\text{pi}^3/\text{min}$  que peut évacuer le ventilateur.

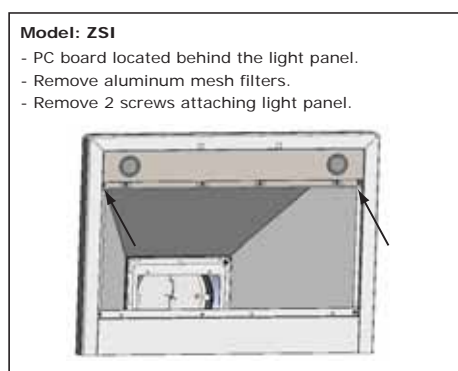


FIG. J

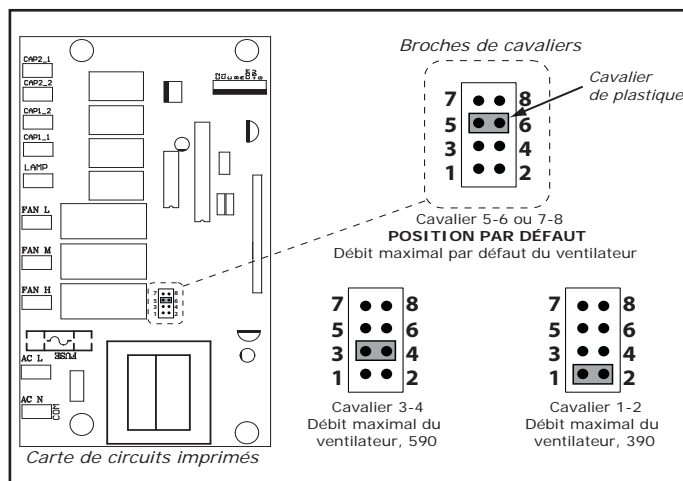
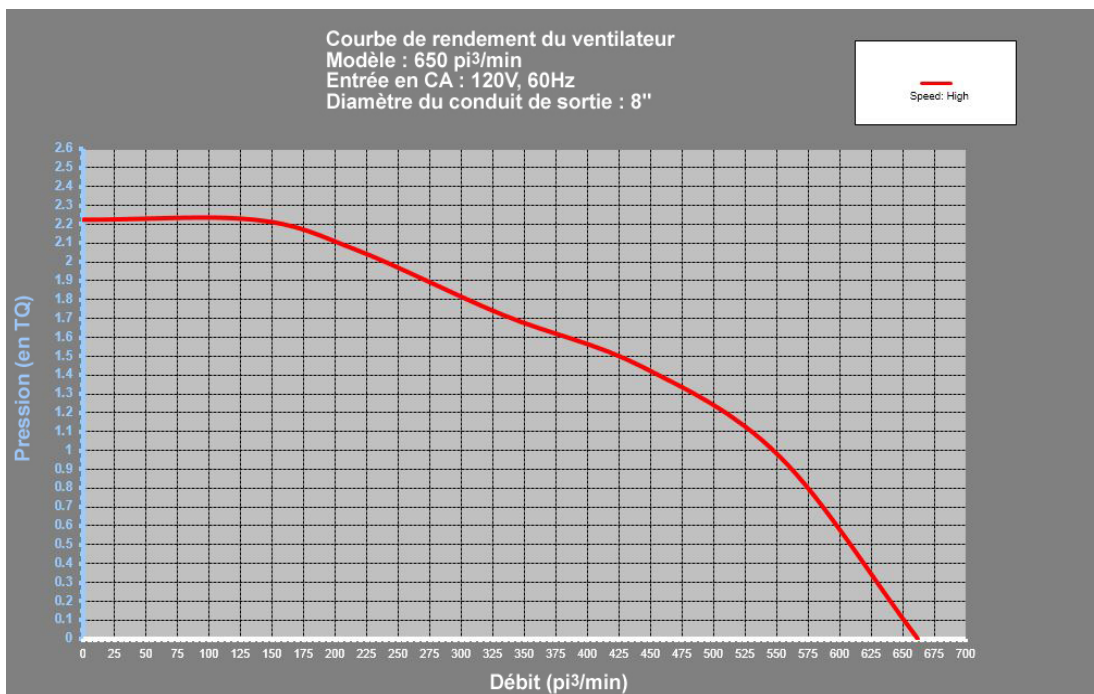


FIG. K

# Diagrammes des courbes caractéristiques des ventilateurs



# Diagrammes des courbes caractéristiques des ventilateurs

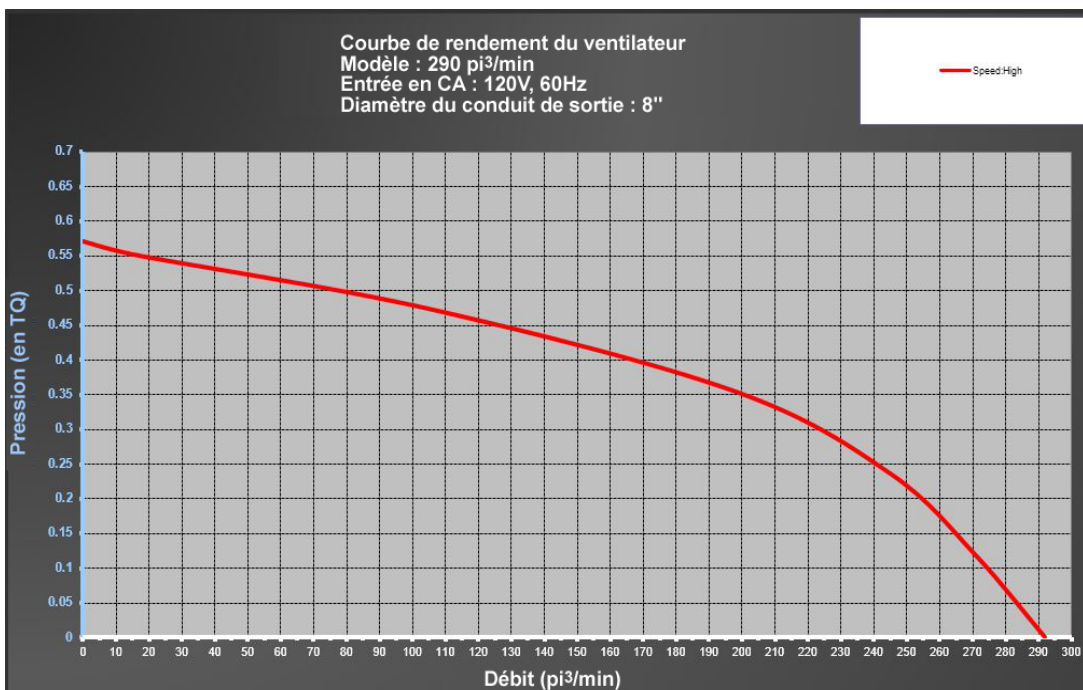
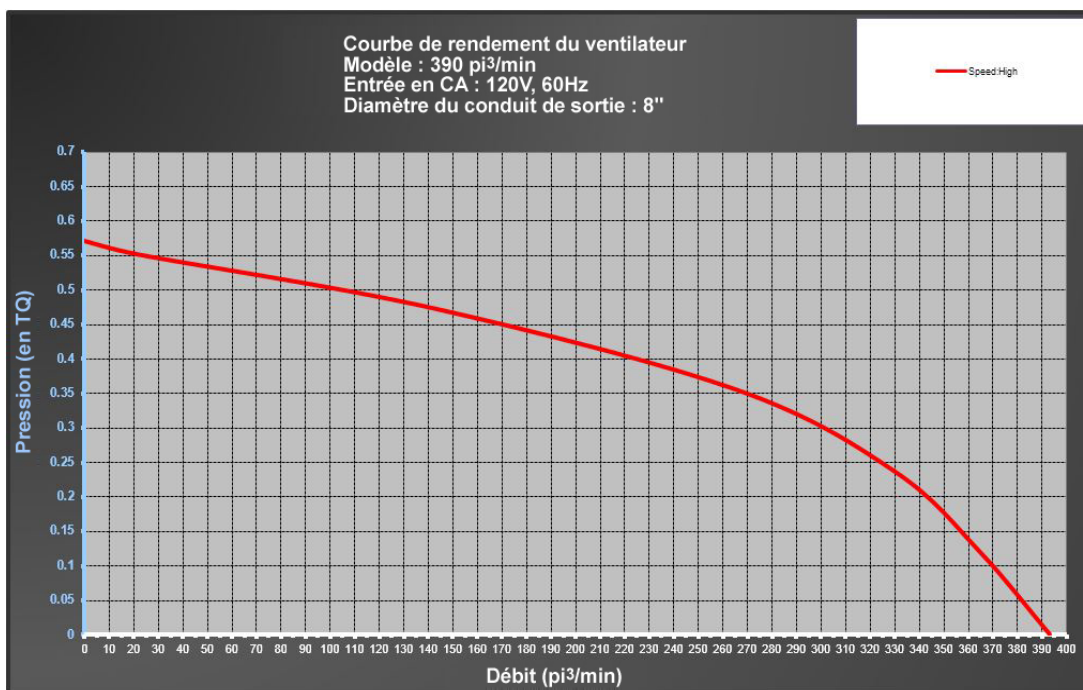
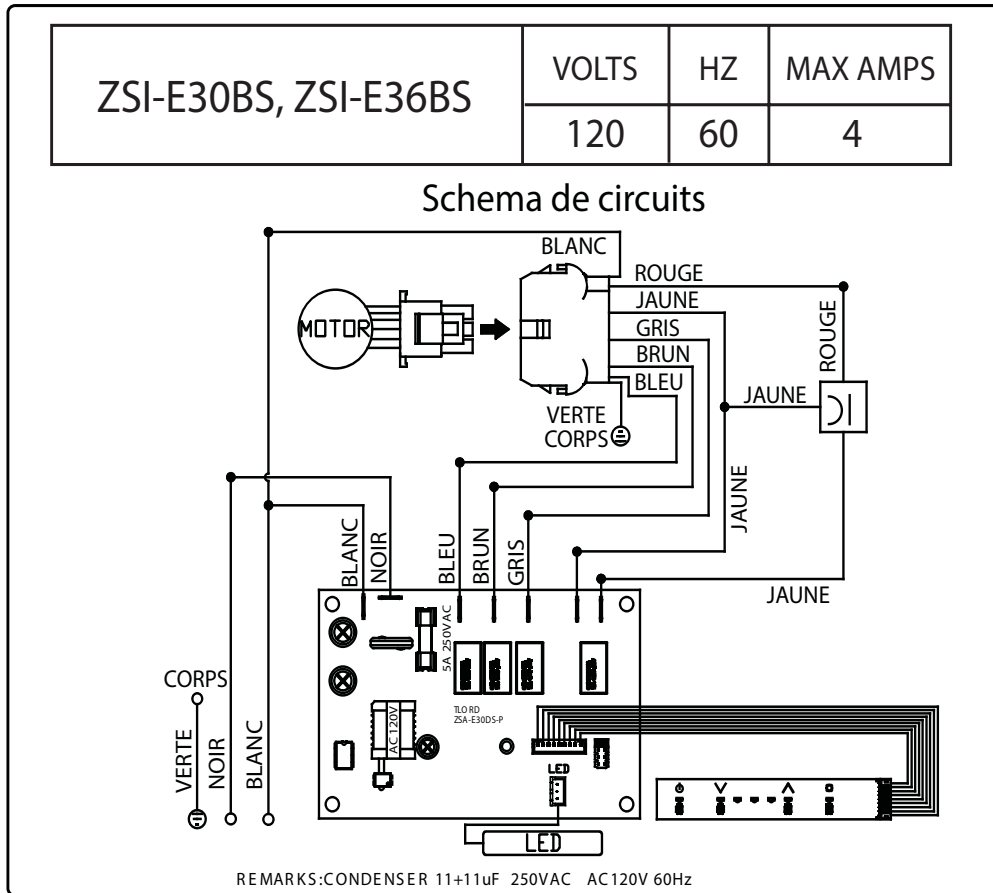


Schéma de câblage



Consommation énergétique avec configuration par défaut d'un ventilateur de 650 pi<sup>3</sup>/min.

ACT 390 pi<sup>3</sup>/min - Max. du ventilateur : 393W à 3,3 A

ACT 290 pi<sup>3</sup>/min - Max. du ventilateur : 365W à 3,0 A

**ZEPHYR**

Garantie limitée

**AGRAFEZ VOTRE REÇU ICI**

Une preuve de la date d'achat originale est nécessaire pour obtenir du service lorsque le produit est sous garantie

**POUR OBTENIR DU SERVICE SOUS GARANTIE OU POUR TOUTE QUESTION LIÉE À L'ENTRETIEN, veuillez communiquer avec nous au 1-888-880-8368**

Zephyr Ventilation, LLC (désigné aux présentes sous le nom de « nous ») garantit au premier acheteur (désigné aux présentes sous le nom de « vous » ou « votre ») de produits Zephyr (les « Produits ») que lesdits produits sont exempts de défauts de fabrication ou de main-d'œuvre selon les conditions suivantes :

**Garantie de trois ans sur les pièces :** Garantie de trois ans à partir de la date d'achat originale du Produit. Nous fournirons sans frais les Produits ou les pièces (y compris les ampoules LED, le cas échéant) de remplacement qui comportaient des défauts de fabrication. Nous pourrions choisir, à notre seule discrétion, de réparer ou de remplacer des pièces avant de prendre la décision de remplacer le Produit.

**Garantie limitée d'un an sur la main-d'œuvre :** Garantie d'un an à partir de la date d'achat originale du Produit. Nous fournirons sans frais les services de main-d'œuvre afférents à la réparation du Produit ou des pièces de remplacement qui comportaient des défauts de fabrication. Un an après la date d'achat originale, vous serez responsable de tous les frais de main-d'œuvre associés à la présente garantie.

**Exclusions de la garantie :** Cette garantie ne couvre que la réparation ou le remplacement, à notre gré, de pièces ou de Produits défectueux et ne couvre aucun autre coût afférent aux Produits, dont, sans s'y limiter, les frais liés : (a) à l'entretien normal des Produits et au remplacement des pièces consommables, comme les fluorescent, incandescence ou halogèneampoules, les filtres métalliques, les filtres à charbon et les fusibles; (b) à tout Produit ou pièce ayant été endommagé durant le transport ou étant le résultat d'un mauvais usage, d'une négligence, d'un accident, d'une installation incorrecte ou ne respectant pas les notices d'installation recommandées, d'un entretien ou d'une réparation inapproprié (dont ne nous sommes pas responsables); (c) à une utilisation commerciale ou ne correspondant pas à l'utilisation pour laquelle les Produits sont conçus; (d) à l'usure naturelle du fini, à l'usure due à un entretien inadéquat, à l'utilisation de produits nettoyants corrosifs ou abrasifs, de tampons nettoyeurs et de produits de nettoyage pour le four; (e) aux éclats, entailles ou fissures résultant d'un abus ou d'une mauvaise utilisation du Produit; (f) aux déplacements d'un technicien de service à votre domicile pour vous montrer comment utiliser les Produits; (g) aux dommages causés par un accident, un incendie, une inondation, un cas fortuit; ou (h) Les installations personnalisées ou modifications qui ont un impact maintenabilité du Produit. Si vous vous trouvez à l'extérieur du territoire que nous desservons, des frais supplémentaires pourraient s'appliquer pour la livraison des produits à nos points de service désignés pour une réparation sous garantie ou vous pourriez avoir à déboursier les frais de déplacement du technicien à votre domicile pour que le Produit soit réparé, enlevé ou réinstallé. Un an après la date d'achat originale du Produit, vous êtes également responsable de tous les frais de main-d'œuvre associés à la présente garantie.

**Restrictions de la garantie. NOTRE OBLIGATION DE RÉPARER OU DE REMPLACER, À NOTRE GRÉ, LE PRODUIT CONSTITUE VOTRE SEUL ET UNIQUE RECOURS SOUS LA PRÉSENTE GARANTIE. NOUS NE NOUS PORTONS PAS RESPONSABLES POUR TOUT DOMMAGE INDIRECT, ACCESSOIRE OU PARTICULIER RÉSULTANT OU AYANT UN LIEN AVEC L'UTILISATION OU LE RENDEMENT DES PRODUITS. LES GARANTIES EXPRESSES DE LA SECTION PRÉCÉDENTE SONT EXCLUSIVES ET TIENNENT LIEU DE TOUTE AUTRE GARANTIE EXPRESSE. PAR LES PRÉSENTES, NOUS REJETONS ET EXCLUONS TOUTE AUTRE GARANTIE EXPRESSE POUR LES PRODUITS ET TOUTES LES GARANTIES TACITES PRÉVUES PAR LA LOI, DONT CELLES RELATIVES À LA QUALITÉ MARCHANDE OU À L'ADEQUATION DU PRODUIT POUR UNE UTILISATION PARTICULIÈRE.** Certains États ou provinces n'autorisent pas les restrictions sur la durée d'une garantie implicite ou l'exclusion ou la restriction des dommages indirects ou accessoires; par conséquent, les exclusions et restrictions mentionnées ci-dessus pourraient ne pas s'appliquer à votre cas. Dans la mesure où une loi applicable interdit l'exclusion de garanties implicites, la durée de toute garantie implicite applicable se limite à la période de deux ans décrite ci-dessus. L'unique objectif de toute description orale ou écrite est de présenter les Produits et celle-ci ne devrait pas être interprétée comme une garantie expresse. Avant d'utiliser ou de permettre l'utilisation des Produits, vous devrez déterminer si les Produits conviennent aux utilisations prévues et vous devrez assumer tout risque et toute responsabilité relatifs à ces utilisations. Nous nous réservons le droit d'utiliser des pièces reconstruites ou remises à neuf pour remplacer l'une des fonctionnalités dans le cadre de la présente garantie ou de l'une des parties de la présente garantie. L'acheteur original ne peut transférer la présente garantie et celle-ci n'est valide qu'aux États-Unis et au Canada.

**Pour obtenir du service sous la garantie :** Pour avoir droit à du service sous garantie, vous devez : (a) nous avertir en utilisant l'adresse ou le numéro de téléphone inscrit ci-dessous dans les soixante jours suivant la détection du défaut; (b) donner le numéro du modèle, le numéro d'identification de la pièce ainsi que le numéro de série; et (c) décrire la nature de tout défaut de la pièce ou du Produit. Au moment de faire la demande de service sous garantie, vous devrez présenter votre preuve d'achat et la preuve de la date d'achat originale. Si nous déterminons que les exclusions de la garantie énumérées ci-dessus s'appliquent ou si vous vous trouvez dans l'incapacité de nous fournir la documentation nécessaire pour obtenir du service, vous serez responsable de tous les frais d'expédition, de déplacement, de main-d'œuvre ou de tout autre coût afférent au service.

Veuillez consulter notre site Web au [www.zephyronline.com](http://www.zephyronline.com) pour savoir si des révisions ont été apportées à la garantie.

**Zephyr Ventilation Service Department, 2277 Harbor Bay Parkway, Alameda, CA 94502 1-888-880-8368**

AUG14.0401

## ENREGISTRMENT DU PRODUIT

Nous vous félicitons d'avoir acheté une hotte Zephyr. Veuillez prendre un moment pour enregistrer votre nouvelle hotte au [www.zephyronline.com/registration](http://www.zephyronline.com/registration)

### C'EST IMPORTANT

Cet enregistrement rapide est utile à bien des égards.

- Il assure la couverture de votre garantie si vous avez besoin de service après-vente.
- À des fins d'assurance, il permet de confirmer que vous êtes le propriétaire.
- Il vous permet de recevoir des avis concernant des modifications ou des rappels de produits.



Zephyr Ventilation | 2277 Harbor Bay Pkwy. | Alameda, CA 94502 | 1.888.880.8368