

Electric Range

Installation manual

NE63*8****



SAMSUNG

Contents

Before you begin	2
Anti-tip device	2
About this manual	2
For your safety	3
Preparing to install the range	3
Prepare tools & Parts	3
Checking the installation site	4
To avoid breakage	6
Connecting the power	7
Step 1. Meeting electrical connection requirements	7
Step 2. Accessing the power cord connection	8
Step 3. Installing the power cord	9
Step 4. Installing the conduit	11
Step 5. Replacing the access cover	13
Installing the range	13
Installing the anti-tip device	13
Finalizing the installation	15

Before you begin

Anti-tip device

⚠ WARNING

To reduce the risk of tipping the appliance, the appliance must be secured by properly installed anti-tip devices packed with the appliance.



- A.** A child or adult can tip the range and be killed.
- B.** Install the anti-tip device to the structure and/or the range at rear right (or rear left) of the range bottom.
- C.** Engage the range to the anti-tip device by leveling leg at rear right (or rear left) of the range bottom.
- D.** Re-engage the anti-tip device if the range is moved.
- E.** See installation instructions for details.
- F.** Failure to do so can result in death or serious burns to children or adults.

About this manual

READ THESE INSTRUCTIONS COMPLETELY AND CAREFULLY.

Important note to the installer

- Read all instructions contained in these installation instructions before installing the range.
- Remove all packing materials from the oven compartments before connecting the electrical supply to the range.
- Observe all governing codes and ordinances.
- Be sure to leave these instructions with the consumer.

Important note to the consumer

Keep these instructions for the local electrical inspector's use.

- As when using any appliance generating heat, there are certain safety precautions you should follow.
- Be sure your range is installed and grounded properly by a qualified installer or service technician.
- For the range to ventilate properly, make sure the range's vents are not blocked or covered, and that there is enough clearance at the top, back, sides, and underneath the range. The vents allow the necessary exhaust for the range to operate properly with correct combustion and get the good cooking result.
- Make sure the wall coverings around the range can withstand the heat generated by the range.
- To eliminate the need to reach over the surface elements, avoid having cabinet storage space above the cooktop.
- The range should not be placed on a base.

For your safety

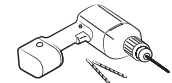
⚠ WARNING

- If the information in this manual is not followed exactly, a fire or electrical shock may result causing property damage, personal injury, or death.
- Before beginning the installation, switch the power off at the service panel and lock the service disconnecting switch to prevent power from being switched on accidentally. When the service disconnecting switch cannot be locked, securely fasten a prominent warning device, such as a tag, to the service panel.
- This appliance must be properly grounded.

Preparing to install the range

Prepare tools & Parts

The tools you will need



Drill



Adjustable Wrench



Pliers



1/4" Nut Driver



Phillips Screwdriver



Flat Screwdriver



Pencil



Level

What's included with your range



Anti-tip Bracket
Template



Anti-Tip Bracket



Screws (short: 2 ea,
long: 2 ea)

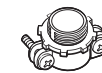


Filler Kit

Additional materials you may need



4-Wire Cord or 3-Wire Cord
(UL Approved 40 or 50 AMP)

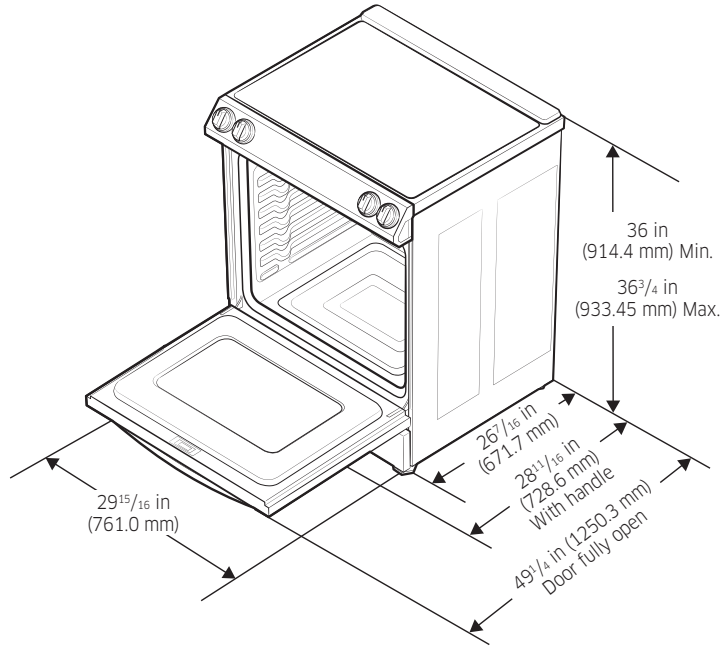


Strain Relief
(For Conduit Installation Only)

Before you begin

Preparing to install the range

Preparing to install the range



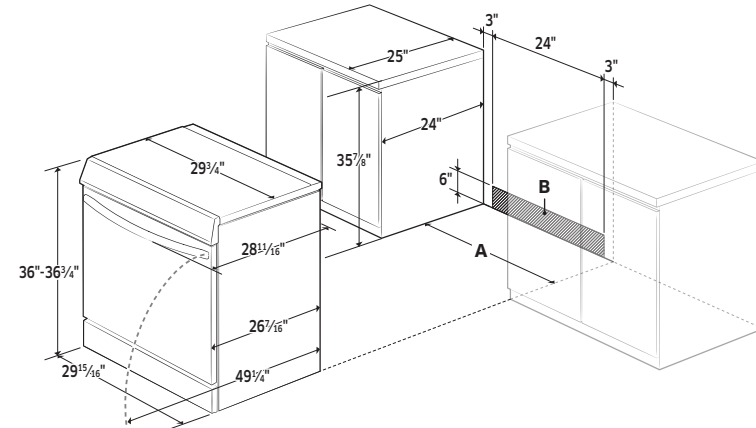
Checking the installation site

Clearances and dimensions

To install the range, refer to the following figure.

⚠ CAUTION

This range has been designed to comply with the maximum allowable wood cabinet temperatures of 194 °F. Make sure the wall covering, countertops, and cabinets around the range can withstand the heat (up to 194 °F) generated by the range. If not, discoloration, delamination, or melting may occur.



A : Cabinet opening min 30" (76.2 cm)

B : Acceptable electrical outlet area

IMPORTANT: If your cabinets are over 36 3/4" high, you must install this range on a hard, heat resistant support that raises the surface of the range so that it is about even with the countertop.

⚠ CAUTION

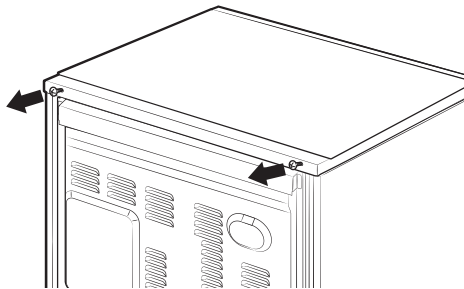
You must use the rear filler kit to install the range in a freestanding cutout cabinet. For more information, see "Optional rear filler kit" as shown below.

📄 NOTE

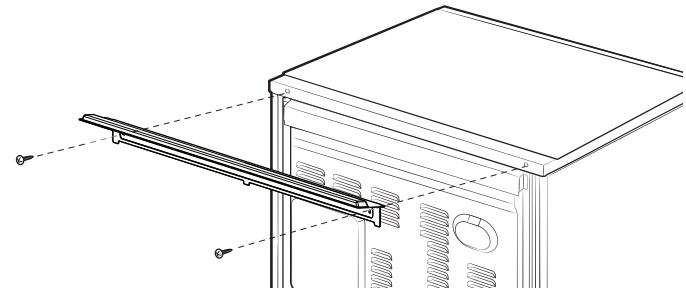
If you install the product in a kitchen island, you must maintain minimum 2-1/2" from cutout to back edge of the countertop and minimum 3" from cutout to side edges of the countertop.

Optional rear filler kit

Used to fill gap between the range back and wall. Adds a filler strip to the rear of the range. This kit can only be used when the opening in the countertop is 25" deep.



1. Unscrew the screws affixing the vent cover.



2. Assemble the filler strip to the back of the range using the removed screws.

📄 NOTE

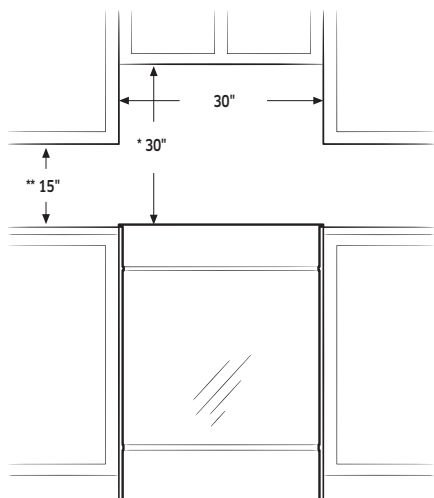
If the countertop depth is greater than 25", there will be a gap between the filler kit and the back wall.



Preparing to install the range

Minimum dimensions

IMPORTANT: To eliminate the risk of burns or fire caused by reaching over heated surface units, avoid having cabinet storage space located above the surface units. If you have cabinet storage space over the heating elements, you can reduce the risk by installing a range hood that projects horizontally a minimum of 5 inches beyond the bottom of the cabinets.



* A minimum of 30" is required between the top of the cooking surface and the bottom of an unprotected wood or metal cabinet; a minimum of 24" is required if the bottom of the wood or metal cabinet is protected by not less than 1/4" of flame retardant millboard covered with not less than no.28 MSG of sheet steel, 0.015" of stainless steel, 0.024" of aluminum, or 0.020" of copper.

** A minimum of 15" is required between the countertop and the adjacent cabinet bottom.

CAUTION

Vapors may come out from the vent. It is normal, but be careful as it may be hot. Depending on the material of your wall, hot vapors may leave stains on it.

To avoid breakage

CAUTION

Do NOT lift or handle the unit by the cooktop glass or door handle.

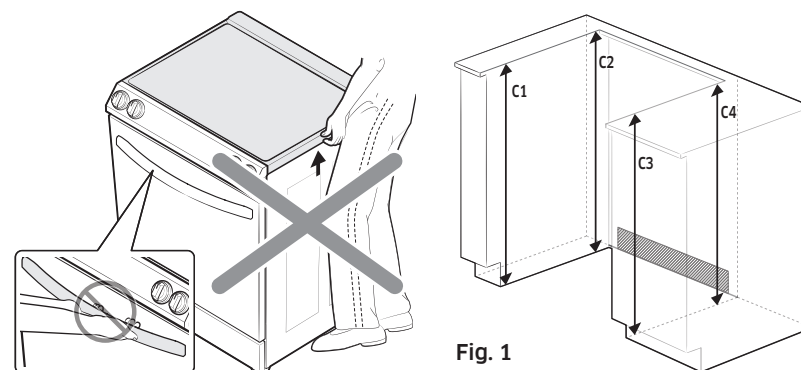


Fig. 1

1. The counter top around the cut-out should be flat and leveled.
2. Before installing the unit, measure the heights of the two cabinet sides (C1-C4), front and back (See Fig. 1) from the floor to the top of the counter.
3. Level the range using the four leveling legs so that the height from the floor to the underside of the cooktop glass frame is greater than the tallest cabinet measurement by at least 1/16".
4. Slide the unit into the cabinet (**DO NOT PUSH THE UNIT HARD**). Make sure the center of the unit aligns with the center of the cabinet cut-out.



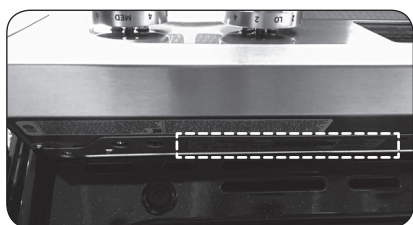
Connecting the power

Step 1. Meeting electrical connection requirements

⚠ CAUTION

For personal safety, do not use an extension cord with this appliance. Remove the house fuse or open the circuit breaker before beginning installation.

This appliance must be supplied with the proper voltage and frequency, and be connected to an individual, properly grounded branch circuit, protected by a circuit breaker or fuse having amperage as specified on the rating plate. The rating plate is located on the bottom side of the control panel.



We recommend you have the electrical wiring and hookup of your range connected by a qualified electrician. After installation, have the electrician show you where your main range disconnect is located.

Check with your local utilities for electrical codes which apply in your area. Failure to wire your oven according to governing codes could result in a hazardous condition. If there are no local codes, your range must be wired and fused to meet the requirements of the National Electrical Code, ANSI/NFPA No. 70-Latest Edition. You can get a copy by writing:

National Fire Protection Association
Batterymarch Park
Quincy, MA 02269

Effective January 1, 1996, the National Electrical Code requires that new construction (not existing) utilize a 4-conductor connection to an electric range.

When installing an electric range in new construction, follow Steps 2 and 3 for a 4-wire connection.

You must use a 3-wire or 4-wire, single-phase A.C. 208Y/120 Volt or 240/120 Volt, 60 hertz electrical system.

If the electrical service provided does not meet the above specifications, have a licensed electrician install an approved outlet.

Use only a 3-conductor or a 4-conductor UL-listed range cord. These cords may be provided with ring terminals on the wire and a strain relief device.

A range cord rated at 40 amps with 125/250 minimum volt range is required. A 50 amp range cord is not recommended but if used, it should be marked for use with nominal 1 $\frac{3}{8}$ " diameter connection openings. Care should be taken to center the cable and strain relief within the knockout hole to keep the edge from damaging the cable.

- Because range terminals are not accessible after the range is in position, a flexible service conduit or cord must be used.

📖 NOTE

If the power connection is plugged in improperly, the following message appears on the display.

- LCD, PMOLED : Wire installation fail
- LED : bAd LinE

Reconnect the power connection properly, and the message disappears.

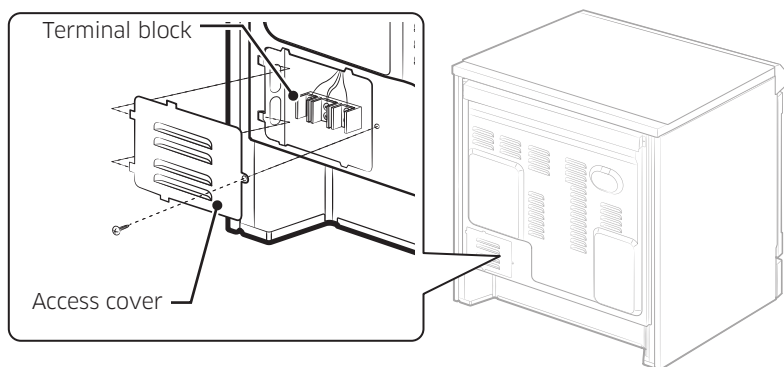


ALL NEW BRANCH-CIRCUIT CONSTRUCTIONS, MOBILE HOMES, RECREATIONAL VEHICLES, AND INSTALLATIONS WHERE LOCAL CODES DO NOT ALLOW GROUNDING THROUGH NEUTRAL, REQUIRE A 4-CONDUCTOR UL-LISTED RANGE CORD.

Connecting the power

Step 2. Accessing the power cord connection

Loosen and then remove the rear access cover screw with a screwdriver. Remove the rear access cover by pull right and then out. The terminal block will then be accessible.



Specified rating of power-supply-cord kit and circuit protection

Range rating, watts		Specified rating of power-supply-cord kit and circuit protection, Amps	Diameter (inches) of range connection opening	
120/240 volts 3-wire	120/208 volts 3-wire		Power cord	Conduit
8750-16500	7801-12500	40 or 50 A	1 3/8"	1 1/8"

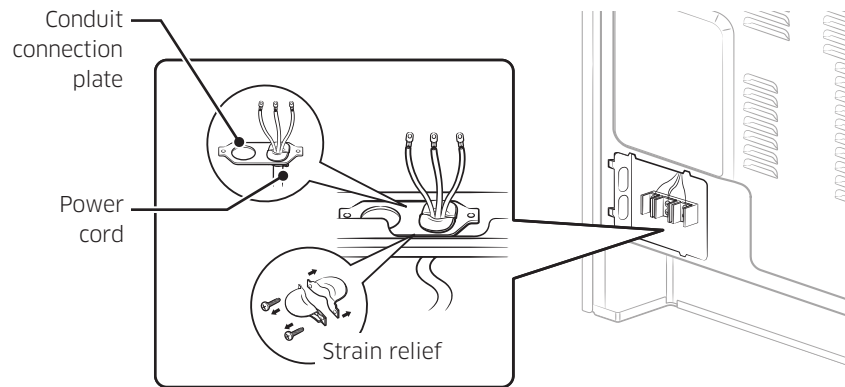
This appliance must be supplied with the proper voltage at the proper frequency and must be connected to a dedicated, properly grounded branch circuit protected by a 40 amp or larger circuit breaker.

NOTE

For power cord installations, go to **Step 3**. For conduit installations, go to **Step 4** on page 11.

Step 3. Installing the power cord

For power cord installations, hook the strain relief over the power cord hole (1 $\frac{3}{8}$ " located below the rear of the drawer body. Insert the power cord through the strain relief and tighten the device.



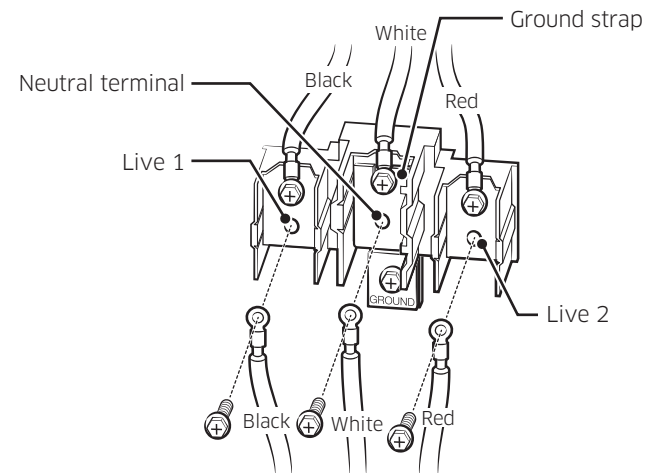
- **You must install the power cord with a strain relief.**
- Attach the strain relief to the 1 $\frac{3}{8}$ " opening in the conduit connection plate.

Installing a 3-wire power cord

⚠ WARNING

The neutral or ground wire of the power cord must be connected to the neutral terminal located in the center of the terminal block. The power leads must be connected to the lower left and the lower right terminals of the terminal block.

1. Remove the 3 lower terminal screws from the terminal block.
2. Insert the 3 terminal screws through each power cord terminal ring and into the lower terminals of the terminal block. Be certain that the center wire (white/neutral) is connected to the center lower position of the terminal block.
3. Tighten screws securely to the terminal block. **DO NOT remove the ground strap connection.**
4. Go to **Step 5** on page 13 to continue with the installation.



Connecting the power

⚠ CAUTION

You must check voltage after connecting power cord.

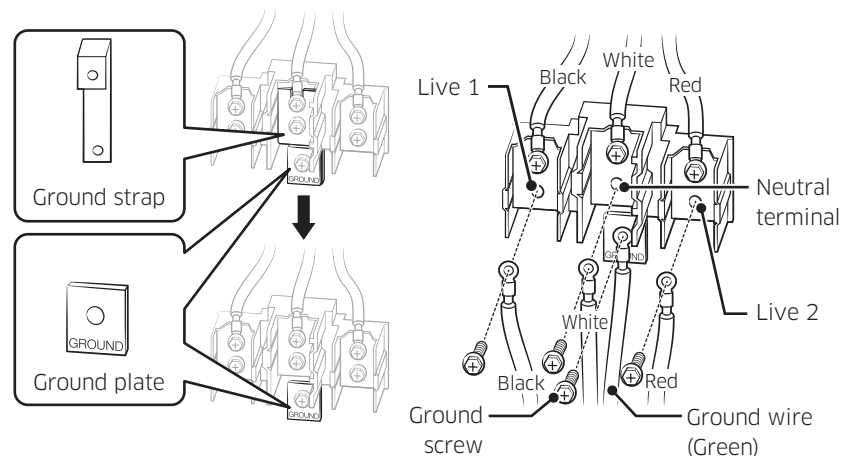
Live 1 - Neutral	120 V
Live 2 - Neutral	120 V
Live 1 - Live 2	208 V / 240 V

Installing a 4-wire power cord

⚠ WARNING

The neutral wire of the supply circuit must be connected to the neutral terminal located in the lower center of the terminal block. The power leads must be connected to the lower left and the lower right terminals of the terminal block. The 4th grounding lead must be connected to the frame of the range with the ground plate and the ground screw.

1. Remove the 3 lower terminal screws from the terminal block. Remove the ground screw and ground plate and retain them.
2. **Cut and discard the ground strap. Do not discard any screws.**
3. Insert the ground screw into the power cord ground wire terminal ring, through the ground plate, and into the frame of the range.
4. Insert the 3 terminal screws (removed earlier) through each power cord terminal ring and into the lower terminals of the terminal block. Be certain that the center wire (white/neutral) is connected to the center lower position of the terminal block. Tighten screws securely to the terminal block.
5. Go to **Step 5** on page 13 to continue with the installation.



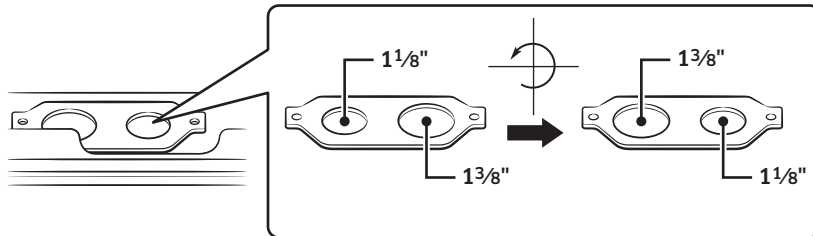
⚠ CAUTION

You must check voltage after connecting power cord.

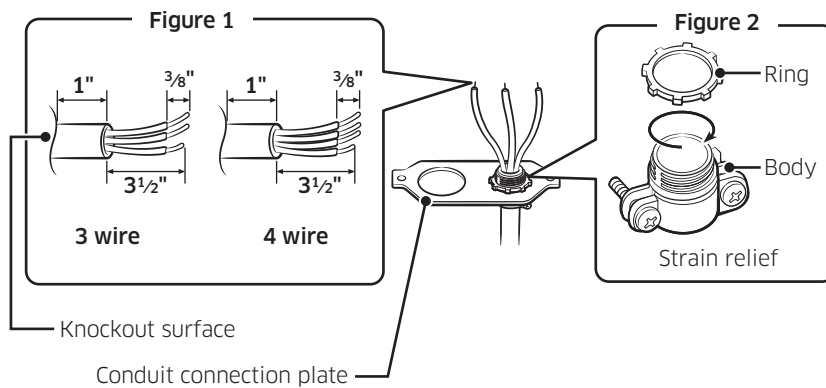
Live 1 - Neutral	120 V
Live 2 - Neutral	120 V
Live 1 - Live 2	208 V / 240 V

Step 4. Installing the conduit

Remove the conduit connection plate and rotate it as shown below. The conduit hole ($1\frac{1}{8}$ "") must be used.



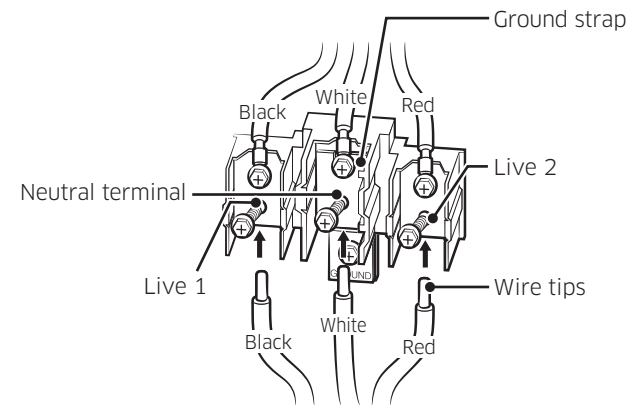
1. Prepare the conduit cord as shown in Figure 1.
2. Install the conduit cord as shown in Figure 2.



For conduit installations, insert the strain relief (not included) into the conduit hole ($1\frac{1}{8}$ ""). Then thread the conduit cord through the body of the strain relief and fasten the ring. Reinstall the bracket.

Installing a 3-wire conduit

- Aluminum building wire may be used but it must be rated for the correct amperage and voltage. Connect the wires as described below.
 - The wire you use, the location and enclosure of splices, etc., must conform to good wiring practices and local codes.
1. Loosen the 3 lower terminal screws from the terminal block.
 2. Insert the center bare wire (white/neutral) tip through the bottom center terminal block opening. On certain models, the wire will need to be inserted through the ground strap opening and then into the bottom center block opening.
 3. Insert the two side bare wire tips into the lower left and the lower right terminal block openings.
 4. Tighten the screws until the wire is firmly secured (35 to 50 inch-lbs.). Do not over-tighten the screws since it could damage the wires.
 5. Go to **Step 5** on page 13 to continue with the installation.



Connecting the power

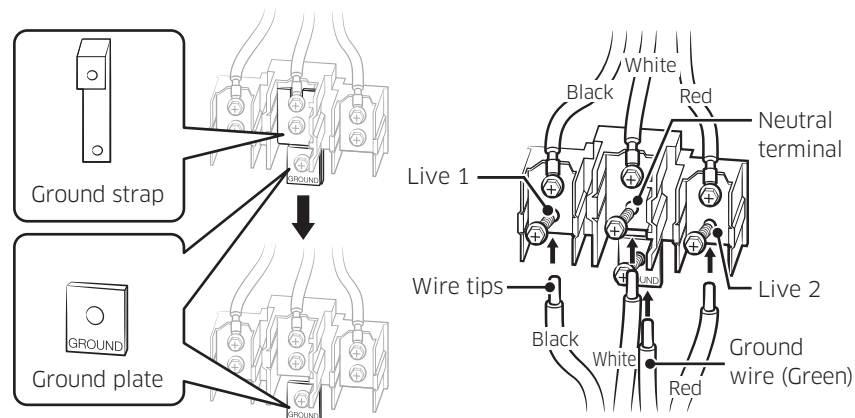
⚠ CAUTION

You must check voltage after connecting power cord.

Live 1 - Neutral	120 V
Live 2 - Neutral	120 V
Live 1 - Live 2	208 V / 240 V

Installing a 4-wire conduit

- Aluminum building wire may be used but it must be rated for the correct amperage and voltage to make the connection. Connect the wires as described below.
 - The wire you use, the location and enclosure of splices, etc., must conform to good wiring practices and local codes.
- Loosen the 3 lower terminal screws from the terminal block. Remove the ground screw and ground plate and retain them.
 - Cut and discard the ground strap. Do not discard any screws.**
 - Insert the ground bare wire tip between the range frame and the ground plate (removed earlier) and secure it in place with the ground screw (removed earlier).
 - Insert the bare wire (white/neutral) tip through the bottom center of the terminal block opening.
 - Insert the two side bare wire tips into the lower left and the lower right terminal block openings.
 - Tighten the screws until the wire is firmly secured (35 to 50 inch-lbs.). Do not over-tighten the screws since it could damage the wires.
 - Go to **Step 5** on page 13 to continue with the installation.



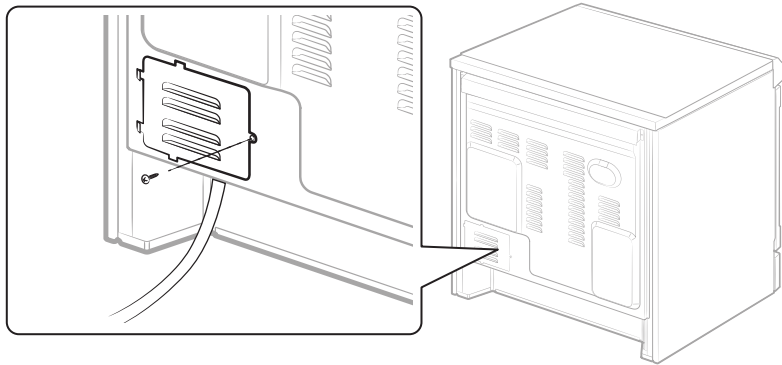
⚠ CAUTION

You must check voltage after connecting power cord.

Live 1 - Neutral	120 V
Live 2 - Neutral	120 V
Live 1 - Live 2	208 V / 240 V

Step 5. Replacing the access cover

To replace the rear access cover on the range back. Insert the double projections on the bottom of the cover into the pockets located below the opening, and then insert and tighten the rear access cover screw.



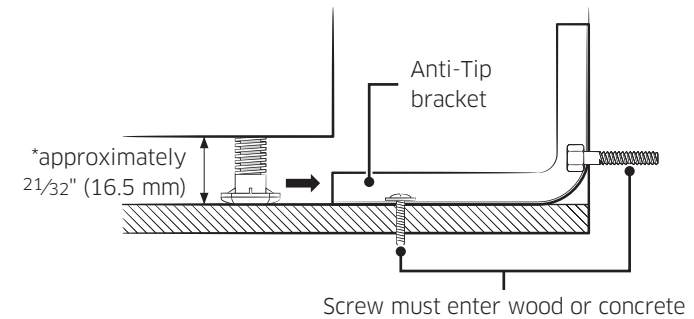
Installing the range

Installing the anti-tip device

⚠ WARNING

To reduce the risk of tipping, you must secure the appliance by properly installing the Anti-Tip device packed with the appliance.

- Refer to the installation instructions supplied with the bracket.
- If the anti-tip device is not installed properly, an adult or child stepping on or sitting on the range door could tip the range and suffer serious injuries caused by spilled hot liquids or by the range itself.



📖 NOTE

To install the Anti-Tip bracket, release the leveling leg. A minimum clearance of 2¹/₃₂" (16.5 mm) is required between the range bottom and the kitchen floor.

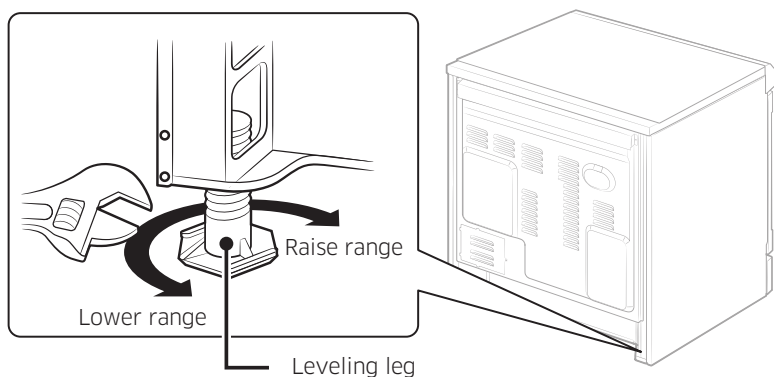
Installing the range

1. Install the bracket using the template

The Anti-Tip bracket is packaged with a template. The instructions include information necessary to complete the installation. Read and follow the instructions on the sheet (template) for range installation.

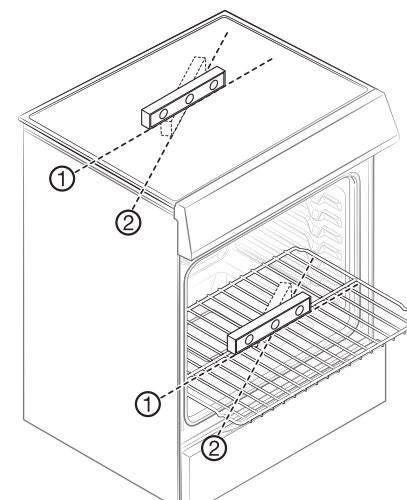
2. Level the range

Level the range by adjusting the leveling legs with a wrench.



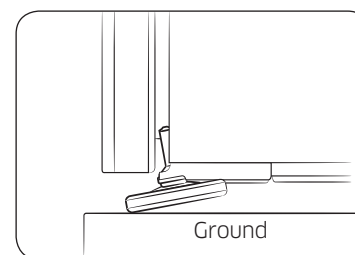
3. Check your adjustments

Use a spirit level to check your adjustments. Place the level diagonally on the oven rack or surface cooktop, and confirm the range is level in the two directions shown below.



1. Check direction 1.
2. Check direction 2.

If the spirit level indicates that the range is not level, adjust the leveling legs with a wrench.



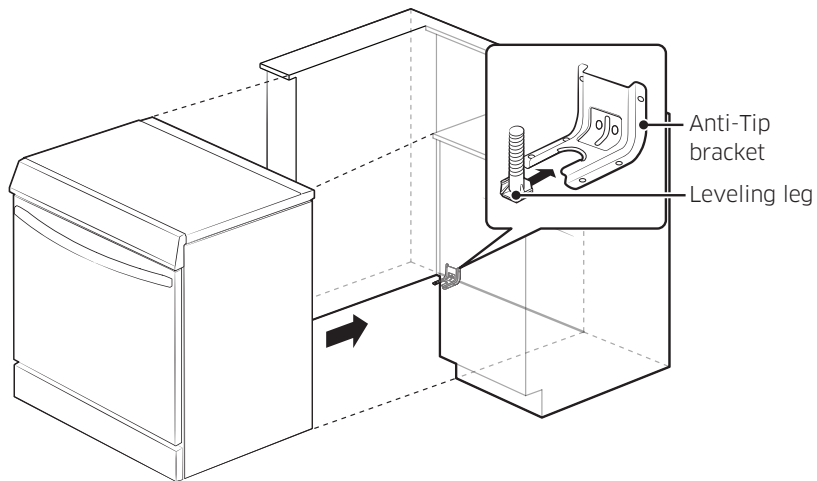
⚠ CAUTION

For your safety, do not attempt to modify or straighten front legs. Front leveling legs on the range are designed to be slanted to prevent accidental tipping.

Memo

Finalizing the installation

- Move range close enough to the opening to plug into the receptacle.
- Slide the range into position ensuring that the rear left (or rear right) leg slides under the Anti-Tip bracket.
- Carefully tip the range forward to insure that the Anti-Tip bracket engages the back brace and prevents tip-over.
- Turn on the electrical power. Check the range for proper operation as described in the user manual.





Scan this with your smartphone

Scan the QR code* or visit
www.samsung.com/spsn
 to view our helpful
 How-to Videos and Live Shows
 * Requires reader to be installed on
 your smartphone

Please be advised that the Samsung warranty does NOT cover service calls to explain product operation, correct improper installation, or perform normal cleaning or maintenance.

QUESTIONS OR COMMENTS?

COUNTRY	CALL	OR VISIT US ONLINE AT
U.S.A Consumer Electronics	1-800-SAMSUNG (726-7864)	www.samsung.com/us/support
CANADA	1-800-SAMSUNG (726-7864)	www.samsung.com/ca/support (English) www.samsung.com/ca_fr/support (French)



DG68-01257A-00

Estufa eléctrica

Manual de instalación

NE63*8*****



SAMSUNG

Contenido

Antes de comenzar	2
Dispositivo anti inclinación	2
Acerca de este manual	2
Para su seguridad	3
Preparación para instalar la estufa	3
Prepare las herramientas y las piezas	3
Control del sitio de instalación	4
Para evitar la rotura	6
Cómo conectar la corriente eléctrica	7
Paso 1. Cumplimiento de los requisitos de conexión eléctrica	7
Paso 2. Acceso a la conexión del cable de alimentación	8
Paso 3. Instalación del cable de alimentación	9
Paso 4. Instalación del conducto	11
Paso 5. Colocación de la cubierta de acceso	13
Instalación de la estufa	13
Instalación del dispositivo anti inclinación	13
Finalización de la instalación	15

Antes de comenzar

Dispositivo anti inclinación

⚠ ADVERTENCIA

Para reducir el riesgo de inclinaciones, el artefacto debe quedar correctamente fijado mediante la instalación de los dispositivos anti inclinación que vienen con el equipo.



- A. Un niño o un adulto podrían inclinar la estufa y morir.
- B. Instale el dispositivo anti inclinación en la estructura y/o en la parte posterior derecha (o posterior izquierda) de la base de la estufa.
- C. Acople la estufa en el dispositivo anti inclinación nivelando las patas en la parte posterior derecha (o posterior izquierda) de la base de la estufa.
- D. Vuelva a acoplar el dispositivo anti inclinación en caso de mover la estufa.
- E. Consulte las instrucciones de instalación para obtener más información.
- F. No hacerlo puede provocar la muerte o quemaduras serias a niños o adultos.

Acerca de este manual

LEA ESTAS INSTRUCCIONES EN SU TOTALIDAD Y CUIDADOSAMENTE.

Nota importante para el instalador

- Lea todas las instrucciones contenidas en este manual antes de instalar la estufa.
- Retire de la estufa todos los materiales de empaque de los compartimientos del horno antes de conectar la alimentación eléctrica a la estufa.
- Cumpla todos los códigos y ordenanzas exigidos por las autoridades pertinentes.
- Asegúrese de dejar estas instrucciones al usuario.

Nota importante para el usuario

Guarde estas instrucciones para que puedan ser consultadas por el inspector del servicio eléctrico de su localidad.

- Como con cualquier artefacto que genera calor, existen ciertas precauciones de seguridad que se deben cumplir.
- Asegúrese de que su electrodoméstico sea correctamente instalado y conectado a tierra por un técnico calificado.
- Para que la estufa pueda ventilarse correctamente, asegúrese de que las ventilaciones no estén bloqueadas ni cubiertas, y de que haya suficiente espacio libre arriba, atrás, a los lados y por debajo de la estufa. Las ventilaciones permiten la salida de aire necesaria para que la estufa funcione adecuadamente con la combustión correcta y se obtengan buenos resultados de cocción.
- Asegúrese de que los revestimientos de las paredes alrededor de la estufa pueden soportar el calor que ésta genera.
- Para eliminar la necesidad de alcanzar objetos por encima de los elementos de la superficie, evite tener gabinetes de almacenamiento sobre la cubierta.
- La estufa no debe colocarse sobre una base.

Para su seguridad

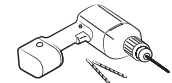
⚠ ADVERTENCIA

- Si la información de este manual no es seguida con exactitud, se podrían producir incendios o descargas eléctricas que causen daños a la propiedad, lesiones personales o la muerte.
- Antes de comenzar la instalación, corte la alimentación eléctrica desde el panel de servicio y cierre con llave el interruptor de desconexión del servicio para evitar que la corriente eléctrica sea conectada accidentalmente. Cuando el interruptor de desconexión del servicio no se pueda bloquear, coloque un dispositivo de advertencia prominente, tal como una etiqueta, en el panel de servicio.
- Este electrodoméstico debe conectarse a tierra correctamente.

Preparación para instalar la estufa

Prepare las herramientas y las piezas

Las herramientas que necesitará



Taladro



Llave ajustable



Pinza



Llave para tuercas de 1/4"



Destornillador Phillips



Destornillador plano



Lápiz



Nivel

Elementos incluidos con su estufa



Plantilla de ménsula anti inclinación



Ménsula anti inclinación



Tornillos (cortos: 2, largos: 2)

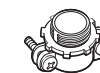


Kits de relleno

Materiales adicionales que puede necesitar



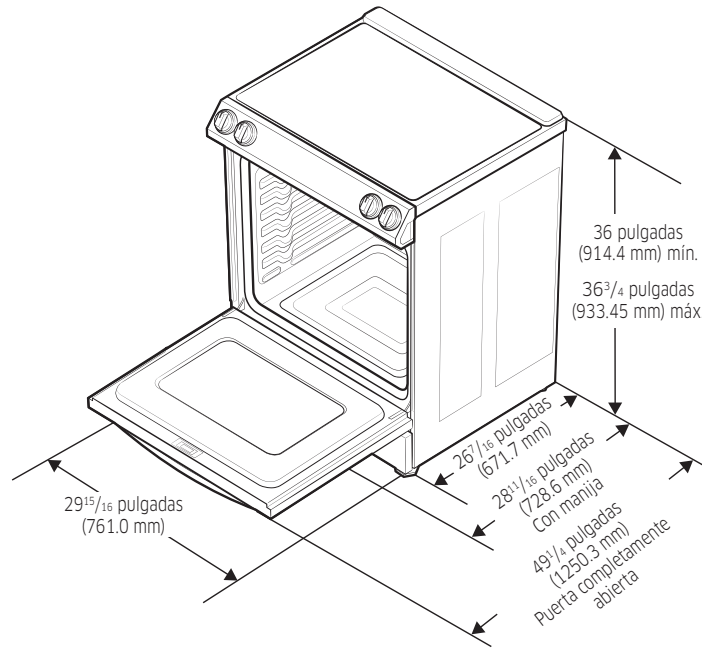
Cable de 4 conductores o cable de 3 conductores (de 40 o 50 AMP aprobados por United Laboratories, Inc. ("UL"))



Sujetador de cables con amortiguador de esfuerzo (únicamente para instalación con conducto)

Antes de comenzar

Preparación para instalar la estufa



Preparación para instalar la estufa

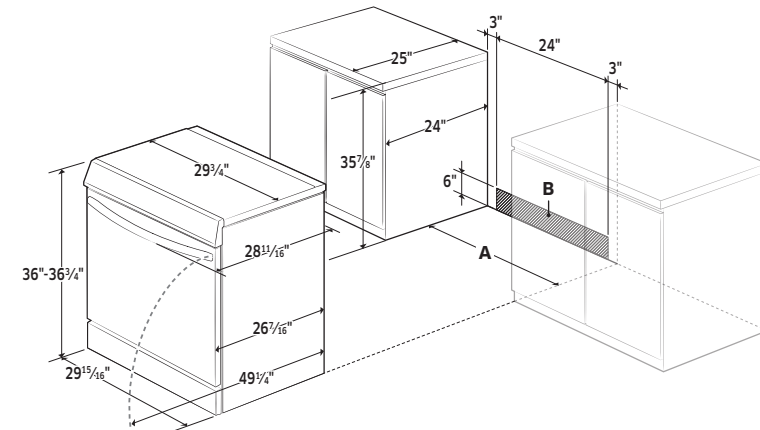
Control del sitio de instalación

Distancias, espacios libres y dimensiones

Para instalar la estufa, observe la figura a continuación.

⚠ PRECAUCIÓN

Esta estufa ha sido diseñada para cumplir con la temperatura máxima admisible para gabinetes de madera de 194 °F. Asegúrese de que los revestimientos de paredes, superficies de mesada y gabinetes alrededor de la estufa puedan soportar el calor (hasta 194 °F) generado por la estufa. De lo contrario, se podrían producir alteraciones de color, deslaminación o derretimiento.



A: Abertura del gabinete mín. 30" (76.2 cm)

B: Área admisible para toma de corriente

IMPORTANTE: Si sus gabinetes tienen una altura superior a 36 3/4", debe instalar la estufa en un soporte duro y resistente al calor que levante la superficie de la estufa hasta que quede a nivel con la mesada.

⚠ PRECAUCIÓN

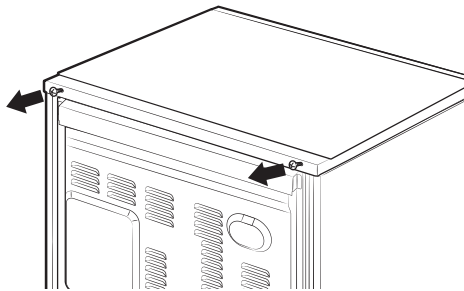
Debe usar el kit de relleno trasero para instalar la estufa en un gabinete de recorte independiente. Para más información, consulte "Kit de relleno trasero opcional" como se muestra a continuación.

📄 NOTA

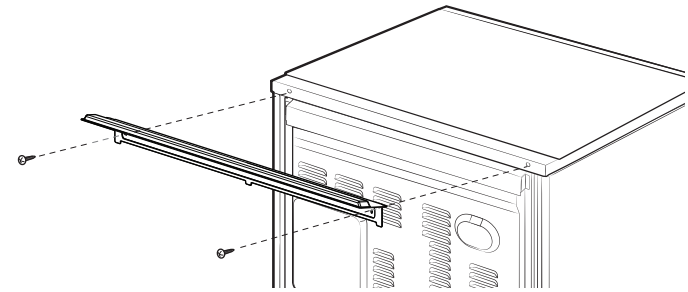
Si instala el producto en una isla de cocina, mantenga como mínimo 2-1/2" entre el recorte y el borde trasero de la mesada y 3" como mínimo entre el recorte y los bordes laterales de la mesada.

Kit de relleno trasero opcional

Se usa para llenar el espacio entre la parte trasera de la estufa y la pared. Agrega una tira de relleno a la parte trasera de la estufa. Este kit solo puede usarse cuando la abertura en la mesada tiene una profundidad de 25".



1. Desatornille los tornillos que fijan la tapa de ventilación.



2. Ensamble la tira de relleno a la parte posterior de la estufa con los tornillos que haya retirado.

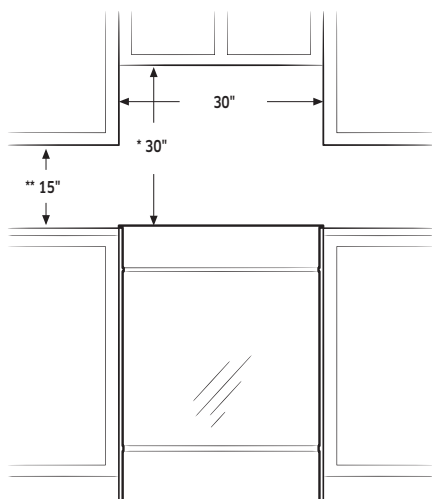
📄 NOTA

Si la profundidad de la mesada es mayor a 25", habrá un espacio entre el kit de relleno y la pared trasera.

Preparación para instalar la estufa

Dimensiones mínimas

IMPORTANTE: Para eliminar el riesgo de quemaduras o de incendio causado por alcanzar elementos por encima de las unidades de superficie calientes, evite colocar gabinetes de almacenamiento arriba de las unidades de superficie. Si tiene gabinetes de almacenamiento sobre los elementos calentadores, puede reducir el riesgo instalando una campana para estufas que sobresalga horizontalmente como mínimo 5 pulgadas con respecto al extremo inferior de los gabinetes.



* Se requiere como mínimo 30" entre el extremo superior de la superficie de cocción y el extremo inferior de un gabinete de madera o metal no protegido; se requiere como mínimo 24" si el extremo inferior del gabinete de madera o metal está protegido por un tablero ignífugo de un mínimo de 1/4" cubierto con una lámina de acero Nro. 28, como mínimo, 0.015" de acero inoxidable, 0.024" de aluminio o 0.020" de cobre.

** Se requiere como mínimo 15" entre la superficie de la mesada y la parte inferior del gabinete más cercano.

⚠ PRECAUCIÓN

Puede salir vapor por la abertura de ventilación. Es normal, pero tenga cuidado porque puede estar caliente. Según el material de la pared, el vapor caliente puede mancharla.

Para evitar la rotura

⚠ PRECAUCIÓN

NO levante ni sostenga la unidad por el vidrio de la cubierta o la manija de la puerta.

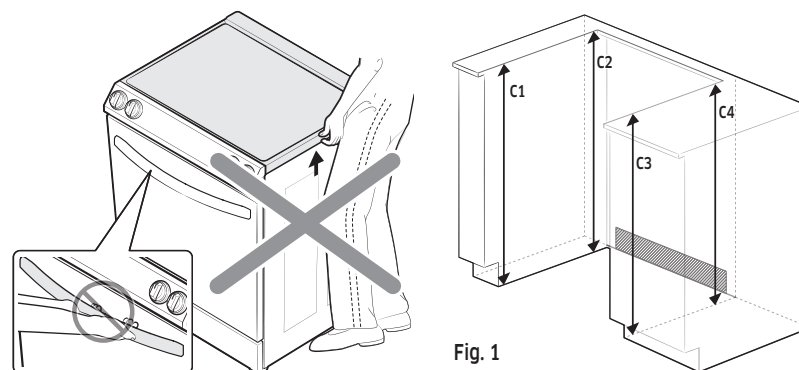


Fig. 1

1. La mesada alrededor del recorte debe ser plana y nivelada.
2. Antes de instalar la unidad, mida la altura de los dos lados del gabinete (C1-C4), frontal y posterior (Vea la Fig. 1) desde el piso hasta la parte superior de la mesada.
3. Nivele la estufa con las cuatro patas de nivelación de modo que la distancia entre el piso y la parte inferior del marco del vidrio de la cubierta sea al menos 1/16" mayor que la medida más alta del gabinete.
4. Deslice la unidad en el gabinete (**NO LA EMPUJE CON FUERZA**). Asegúrese de que el centro de la unidad esté alineado con el centro del recorte del gabinete.

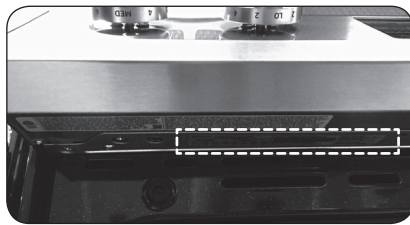
Cómo conectar la corriente eléctrica

Paso 1. Cumplimiento de los requisitos de conexión eléctrica

PRECAUCIÓN

Para seguridad de las personas, no utilice cables prolongadores con este electrodoméstico. Retire el fusible de la casa o corte la electricidad con el disyuntor antes de comenzar la instalación.

Este electrodoméstico debe ser alimentado con el voltaje y la frecuencia correctos, y debe conectarse a un ramal de circuito individual correctamente conectado a tierra y protegido con un disyuntor o fusible cuyo amperaje debe concordar con lo establecido en la placa de especificaciones. La placa de especificaciones se encuentra del lado inferior del panel de control.



Le recomendamos que el cableado y la conexión de su estufa sean realizados por un electricista calificado. Luego de la instalación, solicítele al electricista que le muestre dónde se encuentra el principal dispositivo de desconexión de su estufa.

Verifique con su empresa local de servicio eléctrico los códigos eléctricos vigentes en su área. Si el cableado de su horno no se hace de acuerdo con los códigos en vigencia se podrían generar condiciones peligrosas. Si no hay códigos locales, su estufa debe ser cableada y equipada con fusibles que cumplan los requisitos de la versión más reciente del Código eléctrico nacional ANSI/NFPA Nro. 70. Para obtener una copia, escriba a:

National Fire Protection Association
Batterymarch Park
Quincy, MA 02269

Con vigencia a partir del 1 de enero de 1996, el National Electrical Code (Código Eléctrico Nacional) exige que en las construcciones nuevas (no existentes en ese momento) para estufas de cocina se utilicen conexiones de cuatro conductores.

Cuando instale una estufa eléctrica en una construcción nueva, siga los Pasos 2 y 3 para una conexión de 4 conductores.

Debe usar un sistema eléctrico de 3 o 4 conductores, monofásico, CA. Sistema eléctrico de 208Y/120 voltios o 240/120 voltios, 60 hertz.

Si el servicio eléctrico provisto no cumple con las especificaciones anteriores, haga que un electricista con licencia le instale un tomacorriente aprobado.

Utilice únicamente un cable para estufas de 3 o 4 conductores incluido en las listas de UL. Estos cables pueden venir con terminales de aro y un dispositivo de sujeción con amortiguador de esfuerzo.

Se requiere un cable para estufas apto para 40 amps. con un rango de voltaje mínimo de 125/250 voltios. No se recomienda el uso de cables de 50 amps., pero si se lo utiliza debe estar marcado para uso con aberturas de conexión de 1 3/8" de diámetro. Se debe prestar cuidado de centrar el cable y el sujetador con amortiguador de esfuerzo dentro del orificio de salida para evitar que el borde dañe el cable.

- Dado que las terminales no quedan accesibles una vez que la estufa está en posición, se debe usar conducto o cable flexible.

NOTA

Si la conexión de alimentación está mal realizada, aparecerá el siguiente mensaje en la pantalla.

- LCD, PMOLED: Falla de instalación del cable
- LED: bAd LinE

Vuelva a realizar la conexión de alimentación correctamente y el mensaje desaparecerá.

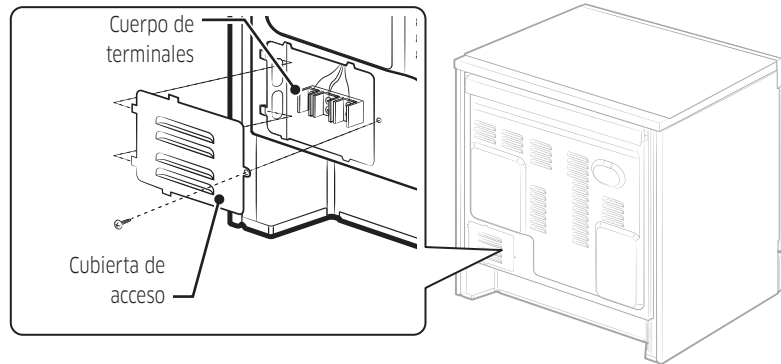


TODAS LAS NUEVAS CONSTRUCCIONES DE CIRCUITOS RAMALES, CASAS RODANTES, VEHÍCULOS RECREATIVOS E INSTALACIONES DONDE LOS CÓDIGOS LOCALES NO PERMITEN LA CONEXIÓN A TIERRA MEDIANTE EL NEUTRO, REQUIEREN UN CABLE PARA ESTUFAS DE 4 CONDUCTORES INCLUIDOS EN LOS LISTADOS DE UL.

Cómo conectar la corriente eléctrica

Paso 2. Acceso a la conexión del cable de alimentación

Afloje y luego retire el tornillo de la cubierta de acceso posterior con un destornillador. Retire la cubierta de acceso posterior jalando hacia la derecha y luego hacia afuera. Habrá quedado abierto el acceso al cuerpo de terminales.



Cómo conectar la corriente eléctrica

Especificaciones del kit de cable para alimentación eléctrica y de la protección de circuito

Especificación de estufa, watts		Especificaciones del kit de cable para alimentación eléctrica y de la protección de circuito, en amperes	Diámetro (en pulgadas) de la abertura para conexión de la estufa	
120/240 voltios 3-conductores	120/208 voltios 3-conductores		Cable de alimentación	Conducto
8750-16500	7801-12500	40 o 50 A	1 3/8"	1 1/8"

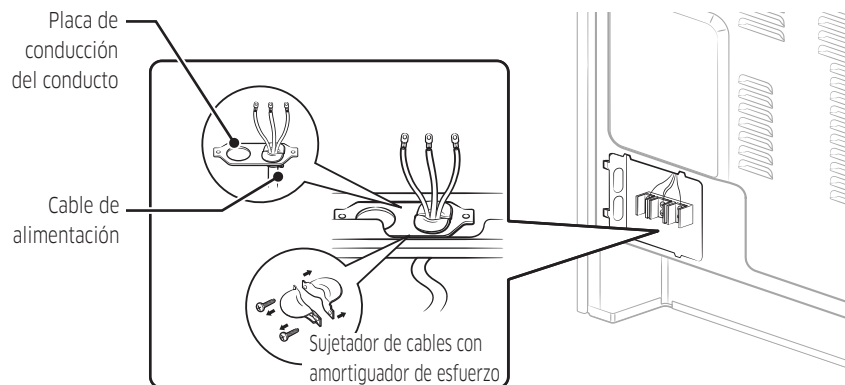
Este electrodoméstico debe ser alimentado con el voltaje y la frecuencia correctos, y debe conectarse a un ramal de circuito individual correctamente conectado a tierra y protegido con un disyuntor de 40 amps. o más.

NOTA

Las instalaciones del cable de alimentación se explican en el **Paso 3**. Las instalaciones de los conductos se explican en el **Paso 4** en la página 11.

Paso 3. Instalación del cable de alimentación

Cuando se realicen instalaciones de cables de alimentación, enganche el sujetador de cables con amortiguador de esfuerzo sobre el orificio del cable de alimentación (1 $\frac{3}{8}$ "") ubicado debajo de la parte trasera del cuerpo del cajón. Inserte el cable de alimentación atravesando el sujetador-amortiguador y ajuste el dispositivo.



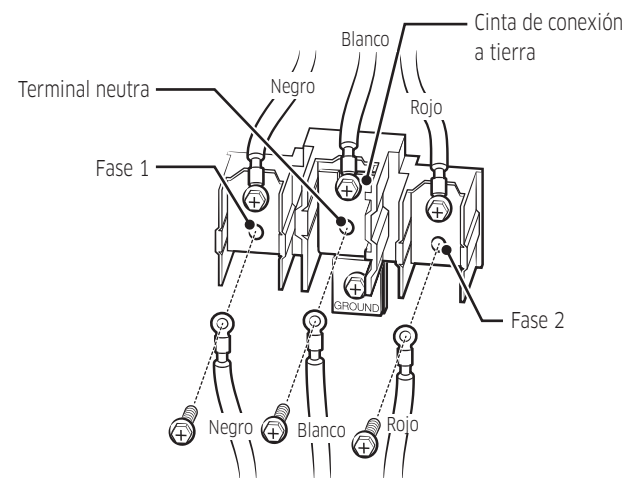
- El cable de alimentación se debe instalar con un sujetador-amortiguador.
- Fije el sujetador de cables con amortiguador de esfuerzo a la abertura de 1 $\frac{3}{8}$ " en la placa de conexión del conducto.

Instalación de un cable de alimentación de 3 conductores

⚠ ADVERTENCIA

El conductor neutro o de tierra del cable de alimentación debe conectarse a la terminal neutra ubicada en el centro del cuerpo de terminales. Los chicotes de cable que portan corriente deben conectarse a las terminales inferior izquierda e inferior derecha del cuerpo de terminales.

1. Retire los tornillos de las tres terminales inferiores del cuerpo de terminales.
2. Introduzca los 3 tornillos terminales a través de cada aro terminal del cable de alimentación y dentro de las terminales inferiores del cuerpo de terminales. Asegúrese de que el conductor central (blanco/neutro) sea conectado a la posición central inferior del cuerpo de terminales.
3. Ajuste los tornillos al cuerpo de terminales en forma segura. **NO retire la cinta de conexión a tierra.**
4. Vaya al **Paso 5** en la página 13 para continuar con la instalación.



Cómo conectar la corriente eléctrica

⚠ PRECAUCIÓN

Debe verificar el voltaje después de conectar el cable de alimentación.

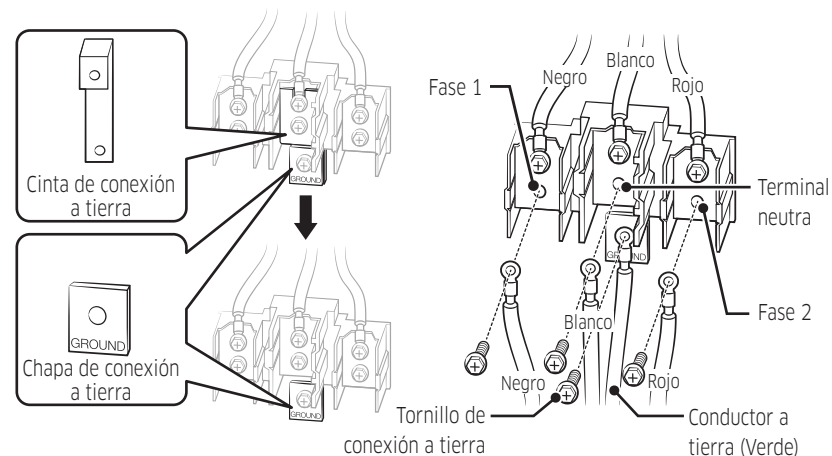
Fase 1 - Neutro	120 V
Fase 2 - Neutro	120 V
Fase 1 - Fase 2	208 V / 240 V

Instalación de un cable de alimentación de 4 conductores

⚠ ADVERTENCIA

ADVERTENCIA El conductor neutral del circuito de alimentación debe conectarse a la terminal ubicada en la parte central inferior del cuerpo de terminales. Los chicotes de cable que portan corriente deben conectarse a las terminales inferior izquierda e inferior derecha del cuerpo de terminales. El cuarto chicote de conexión a tierra debe conectarse al marco de la estufa con la chapa y el tornillo de conexión a tierra.

1. Retire los tornillos de las tres terminales inferiores del cuerpo de terminales. Retire el tornillo y la chapa de conexión a tierra y guárdelos.
2. **Corte y descarte la cinta de conexión a tierra. No descarte ningún tornillo.**
3. Introduzca el tornillo de tierra en la terminal de aro de tierra del cable de alimentación, a través de la chapa de conexión a tierra y dentro del marco de la estufa.
4. Introduzca los 3 tornillos terminales (retirados anteriormente) a través de cada aro terminal del cable de alimentación y dentro de las terminales inferiores del cuerpo de terminales. Asegúrese de que el conductor central (blanco/neutro) sea conectado a la posición central inferior del cuerpo de terminales. Ajuste los tornillos al cuerpo de terminales en forma segura.
5. Vaya al **Paso 5** en la página 13 para continuar con la instalación.



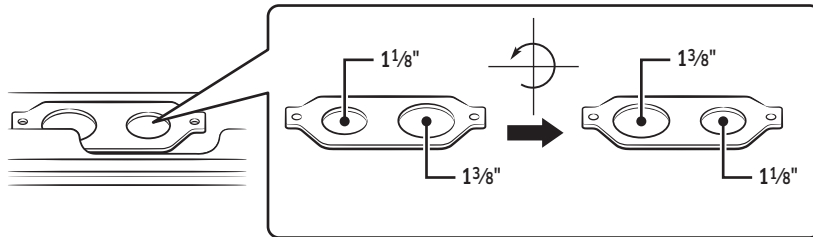
⚠ PRECAUCIÓN

Debe verificar el voltaje después de conectar el cable de alimentación.

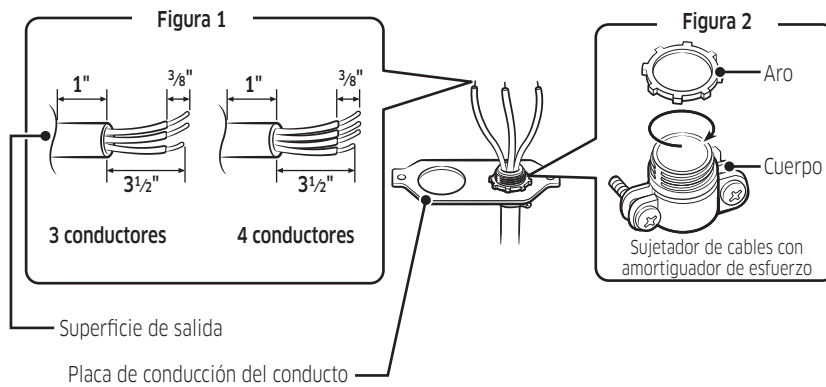
Fase 1 - Neutro	120 V
Fase 2 - Neutro	120 V
Fase 1 - Fase 2	208 V / 240 V

Paso 4. Instalación del conducto

Retire la placa de conexión del conducto y rótelas como se muestra a continuación. Se debe utilizar el orificio de conducto (1 1/8").



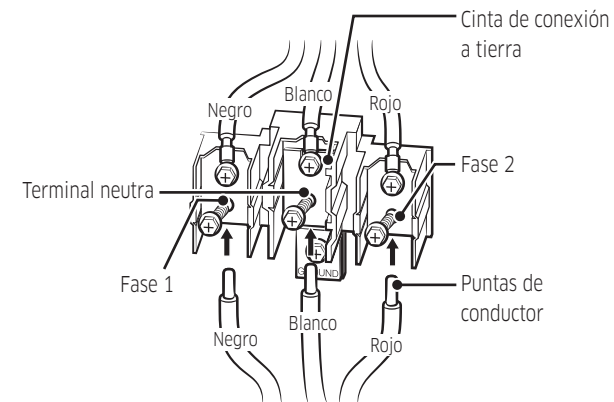
1. Prepare el cable de conducto como se muestra en la Figura 1.
2. Instale el cable de conducto como se muestra en la Figura 2.



En el caso de instalaciones de conducto, introduzca el sujetador de cables con amortiguador de esfuerzo (no incluido) en el orificio del conducto (1 1/8"). Luego pase el cable de conducto a través del cuerpo del sujetador-amortiguador y ajuste el tornillo. Reinstale la placa.

Instalación de un conducto de 3 conductores

- Se puede utilizar alambre de construcción de aluminio pero debe estar graduado y aprobado para los amperajes y voltajes correcto. Conecte los conductores según se describe a continuación.
 - El conductor utilizado, la ubicación y el encapsulamiento de uniones, etc. deben cumplir con las buenas prácticas de cableado y los códigos locales.
1. Afloje los tornillos de las 3 terminales inferiores del cuerpo de terminales.
 2. Introduzca la punta desnuda del conductor central (blanco/neutro) a través de la abertura en la parte central inferior del cuerpo de terminales. En ciertos modelos, será necesario introducir el conductor a través de la abertura de la cinta de conexión a tierra y luego dentro de la abertura en la parte central inferior del cuerpo de terminales.
 3. Introduzca las puntas desnudas de los dos conductores laterales en las aberturas inferior izquierda e inferior derecha del cuerpo de terminales.
 4. Ajuste los tornillos hasta que los conductores queden firmemente anclados (35 a 50 pulgadas-libras de torque). No ajuste los tornillos en exceso porque esto podría dañar los conductores.
 5. Vaya al **Paso 5** en la página 13 para continuar con la instalación.



Cómo conectar la corriente eléctrica

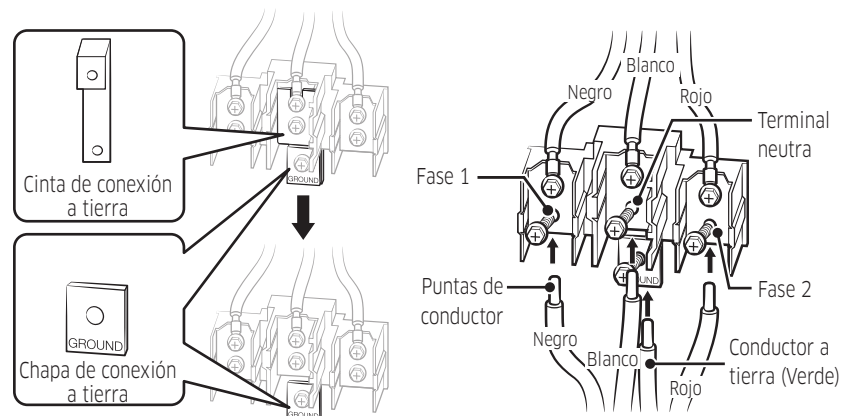
⚠ PRECAUCIÓN

Debe verificar el voltaje después de conectar el cable de alimentación.

Fase 1 - Neutro	120 V
Fase 2 - Neutro	120 V
Fase 1 - Fase 2	208 V / 240 V

Instalación de un conducto de 4 conductores

- Se puede utilizar alambre de construcción de aluminio pero debe estar graduado y aprobado para los amperajes y voltajes correctos para hacer la conexión. Conecte los conductores según se describe a continuación.
 - El conductor utilizado, la ubicación y el encapsulamiento de uniones, etc. deben cumplir con las buenas prácticas de cableado y los códigos locales.
- Afloje los tornillos de las 3 terminales inferiores del cuerpo de terminales. Retire el tornillo y la chapa de conexión a tierra y guárdelos.
 - Corte y descarte la cinta de conexión a tierra. No descarte ningún tornillo.**
 - Inserte la punta desnuda del conductor de tierra entre el marco de la estufa y la chapa de conexión a tierra (retirados anteriormente) y fíjelo en su lugar con el tornillo de conexión a tierra.
 - Introduzca la punta desnuda del conductor (blanco/neutro) a través de la abertura en la parte central inferior del cuerpo de terminales.
 - Introduzca las puntas desnudas de los dos conductores laterales en las aberturas inferior izquierda e inferior derecha del cuerpo de terminales.
 - Ajuste los tornillos hasta que los conductores queden firmemente anclados (35 a 50 pulgadas-libras de torque). No ajuste los tornillos en exceso porque esto podría dañar los conductores.
 - Vaya al **Paso 5** en la página 13 para continuar con la instalación.



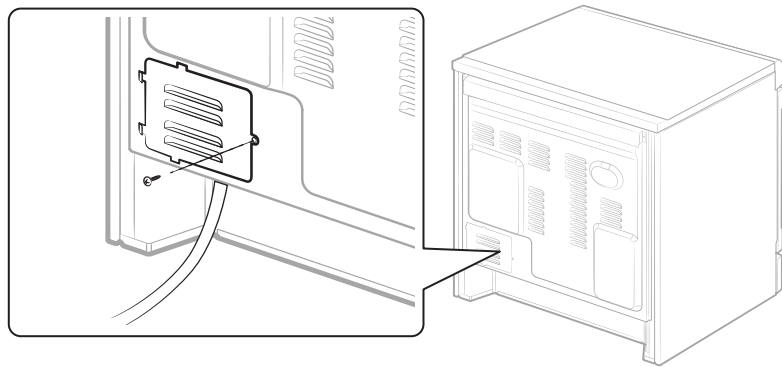
⚠ PRECAUCIÓN

Debe verificar el voltaje después de conectar el cable de alimentación.

Fase 1 - Neutro	120 V
Fase 2 - Neutro	120 V
Fase 1 - Fase 2	208 V / 240 V

Paso 5. Colocación de la cubierta de acceso

Para volver a colocar la cubierta de acceso en la parte trasera de la estufa, inserte las dos pestañas de la parte trasera de la cubierta en las cavidades ubicadas debajo de la abertura y luego inserte y ajuste el tornillo de la cubierta de acceso trasera.



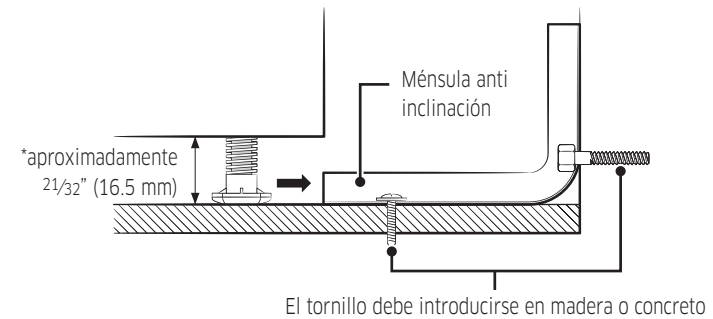
Instalación de la estufa

Instalación del dispositivo anti inclinación

⚠ ADVERTENCIA

Para reducir el riesgo de inclinaciones o vuelcos, debe sujetar el electrodoméstico instalando correctamente el dispositivo anti inclinación que viene empacado con la estufa.

- Remítase a las instrucciones de instalación incluidas con la ménsula.
- Si el dispositivo anti inclinación no está instalado correctamente, un adulto o niño que pise o se sienta sobre la puerta de la estufa podría inclinarla y sufrir lesiones graves causadas por el derrame de líquidos calientes o por la estufa misma.



📖 NOTA

Para instalar la ménsula anti inclinación libere la pata niveladora. Se requiere una distancia mínima de 2¹/₃₂" (16.5 mm) entre la parte inferior de la estufa y el piso de la cocina.

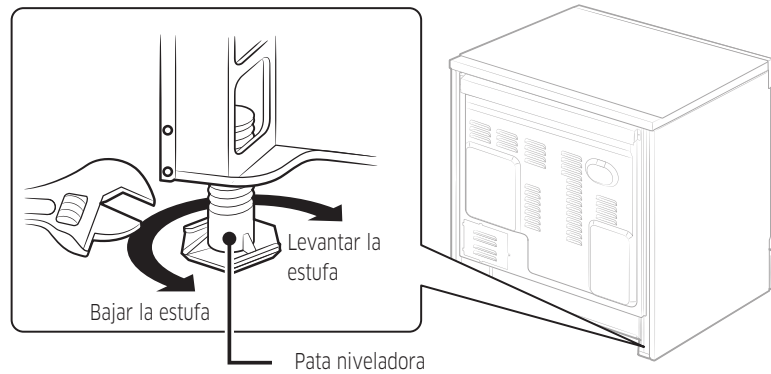
Instalación de la estufa

1. Instale la ménsula utilizando la plantilla.

La ménsula anti inclinación se encuentra empacada junto con una plantilla. Las instrucciones incluyen la información necesaria para completar la instalación. Lea y siga las instrucciones en la hoja (plantilla) para la instalación de la estufa.

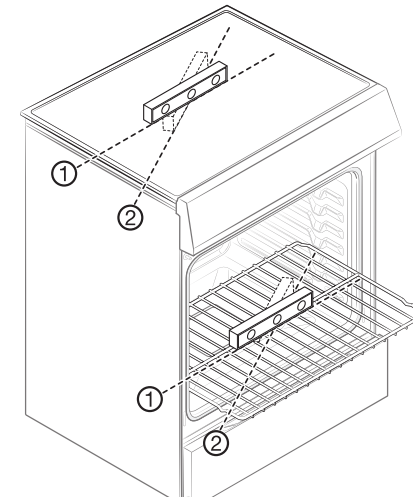
2. Nivelación de la estufa

Nivele la estufa ajustando las patas niveladoras con una llave.



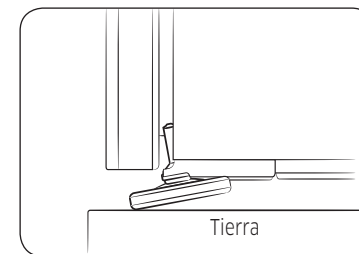
3. Controle sus ajustes

Utilice un nivel de burbuja de aire para controlar los ajustes. Coloque el nivel diagonalmente sobre la rejilla del horno o la superficie de cocción y confirme que la estufa está nivelada en las dos direcciones mostradas a continuación.



1. Controle en la dirección 1.
2. Controle en la dirección 2.

Si el nivel de burbuja indica que la estufa no está nivelada, ajuste las patas de nivelación con una llave.



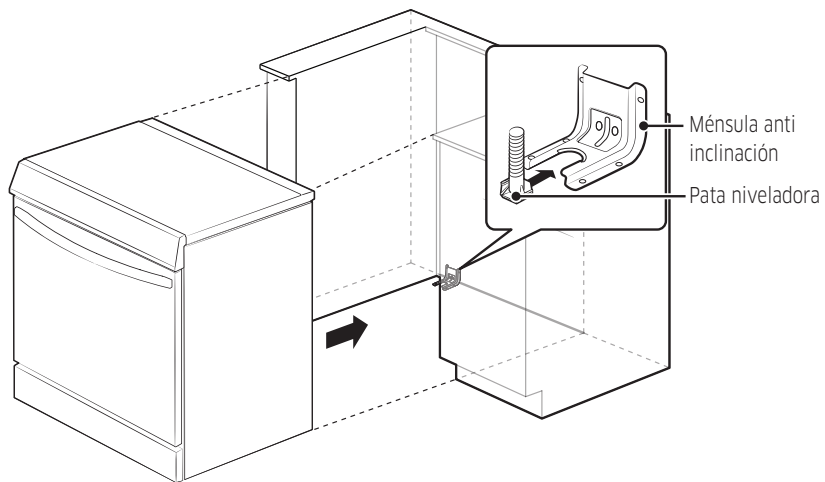
⚠ PRECAUCIÓN

Para su seguridad, no trate de modificar ni enderezar las patas delanteras. Las patas de nivelación delanteras de la estufa están diseñadas en forma inclinada para evitar el vuelco accidental.

Notas

Finalización de la instalación

- Mueva la estufa lo suficientemente cerca de su lugar como para enchufar en el tomacorriente.
- Deslice la estufa a su posición, asegurándose de que la pata trasera izquierda (o trasera derecha) se deslice por debajo de la ménsula anti inclinación.
- Con cuidado, incline la estufa hacia adelante para verificar que la ménsula Anti Inclinación engancha al puntal trasero e imposibilita el vuelco.
- Encienda la corriente eléctrica. Controle el funcionamiento correcto de la estufa tal como se describe en el manual del usuario.





Scan this with your smartphone

Escanee el código QR* o visite
www.samsung.com/spsn
para ver nuestros útiles
videos instructivos y programas en vivo
* Requiere un lector instalado en su teléfono
inteligente

Tenga en cuenta que la garantía de Samsung NO cubre las llamadas de servicio para explicar el funcionamiento del producto, corregir una instalación inadecuada o realizar tareas de limpieza o mantenimiento.

¿TIENE PREGUNTAS O COMENTARIOS?

PAÍS	LLAME AL	O VISÍTENOS EN LÍNEA EN
U.S.A Consumer Electronics	1-800-SAMSUNG (726-7864)	www.samsung.com/us/support
CANADA	1-800-SAMSUNG (726-7864)	www.samsung.com/ca/support (English) www.samsung.com/ca_fr/support (French)



DG68-01257A-00

Cuisinière électrique

Manuel d'installation

NE63*8*****



SAMSUNG

Table des matières

Avant de commencer	2
Dispositif anti-basculement	2
A propos de ce manuel	2
Pour votre sécurité	3
Préparation avant l'installation de la cuisinière	3
Préparation des outils et des pièces	3
Vérification du site d'installation	4
Pour éviter toute rupture	6
Mise sous tension	7
Étape 1 : respect des exigences en matière de raccordements électriques	7
Étape 2 : accès au branchement du cordon d'alimentation	8
Étape 3 : installation du cordon d'alimentation	9
Étape 4 : installation de la gaine	11
Étape 5 : remise en place du panneau d'accès	13
Installation de la cuisinière	13
Installation du dispositif anti-basculement	13
Finalisation de l'installation	15

Avant de commencer

Dispositif anti-basculement

⚠ AVERTISSEMENT

Pour réduire le risque de basculement de l'appareil, ce dernier doit être sécurisé à l'aide des dispositifs anti-basculement correctement installés, fournis avec l'appareil.



- Dans le cas contraire, des adultes ou des enfants risqueraient de faire basculer la cuisinière et d'être tués.
- Installez le dispositif anti-basculement sur la structure et/ou sur la cuisinière à l'arrière droite (ou arrière gauche) du dessous de l'appareil.
- Emboîtez la cuisinière sur le dispositif anti-basculement à l'aide du pied de mise à niveau situé à l'arrière droite (ou arrière gauche) du dessous de l'appareil.
- Emboîtez à nouveau le dispositif anti-basculement si la cuisinière a été déplacée.
- Reportez-vous aux consignes d'installation pour plus d'informations.
- Le non-respect de cette consigne peut entraîner des brûlures graves ou des blessures mortelles chez l'enfant et l'adulte.

A propos de ce manuel

LISEZ ENTièrement ET ATTENTIVEMENT CES INSTRUCTIONS.

Remarque importante destinée à l'installateur

- Lisez l'intégralité des consignes d'installation avant d'installer la cuisinière.
- Retirez tous les éléments d'emballage des compartiments du four avant de raccorder la cuisinière à l'alimentation électrique.
- Respectez tous les codes et règlements en vigueur.
- Assurez-vous de laisser ces instructions à l'utilisateur.

Remarque importante destinée à l'utilisateur

Conservez précieusement ces instructions afin que la personne chargée du contrôle électrique puisse s'y reporter.

- Comme pour tout appareil générant de la chaleur, certaines consignes de sécurité sont à respecter.
- Assurez-vous que votre appareil est correctement installé et mis à la terre par un installateur qualifié ou un technicien spécialisé.
- Pour que la cuisinière soit correctement ventilée, assurez-vous que ses orifices de ventilation ne sont pas obturés ou recouverts et qu'il y a suffisamment d'espace au-dessus, à l'arrière, sur les côtés et sous la cuisinière. Les orifices de ventilation permettent l'échappement nécessaire au bon fonctionnement de l'appareil, à une combustion correcte et à l'obtention des résultats de cuisson escomptés.
- Assurez-vous que les revêtements muraux situés à proximité de l'appareil peuvent résister à la chaleur générée par celui-ci.
- Pour éliminer le besoin de passer au-dessus des foyers de surface, évitez d'avoir un meuble de rangement situé au-dessus de la table de cuisson.
- La cuisinière ne doit pas être placée sur un socle.

Pour votre sécurité

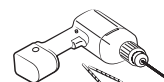
⚠ AVERTISSEMENT

- Si vous ne respectez pas scrupuleusement les informations contenues dans ce manuel, vous risquez de provoquer un incendie ou un choc électrique et, par conséquent, des dégâts matériels, blessures ou accidents mortels.
- Avant de commencer l'installation, coupez l'alimentation au panneau de commande et verrouillez l'interrupteur d'isolement. Cette précaution évitera toute mise sous tension accidentelle de l'appareil. Si vous ne parvenez pas à verrouiller l'interrupteur d'isolement, fixez fermement au panneau de commande un dispositif d'avertissement bien visible, par exemple une affichette.
- Cet appareil doit être correctement mis à la terre.

Préparation avant l'installation de la cuisinière

Préparation des outils et des pièces

Outils nécessaires



Perceuse



Clé à molette



Pince



Tournevis à douille de 1/4"



Tournevis cruciforme



Tournevis à tête plate



Crayon



Niveau

Accessoires fournis



Modèle de support anti-basculement



Support anti-basculement

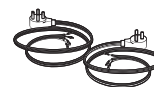


Vis (courtes : x2, longues : x2)



Kit de fileur

Matériel supplémentaire dont vous pourriez avoir besoin



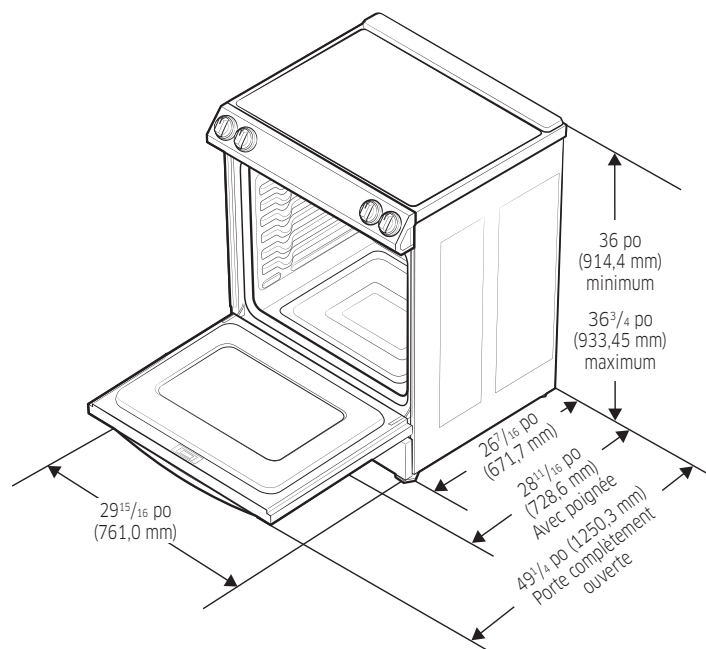
Cordon 4 fils ou 3 fils (répertorié UL, de 40 ou 50 A)



Réducteur de tension (pour le branchement des gaines uniquement)

Avant de commencer

Préparation avant l'installation de la cuisinière



Préparation avant l'installation de la cuisinière

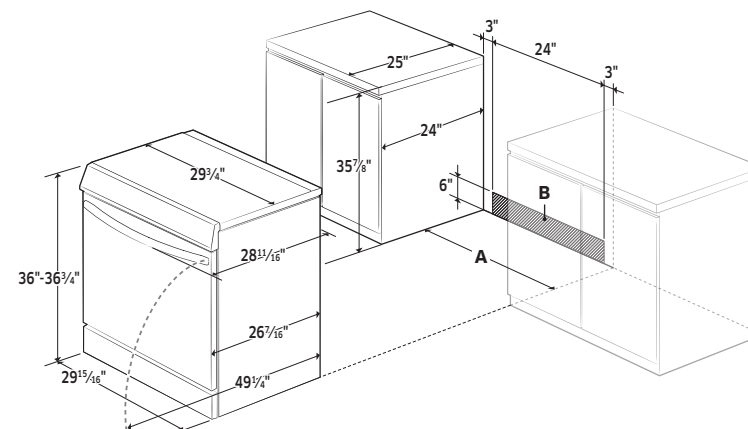
Vérification du site d'installation

Dégagements et dimensions

Pour procéder à l'installation de la cuisinière, reportez-vous au schéma suivant.

⚠ ATTENTION

Cette cuisinière a été conçue pour supporter une température maximale de 194 °F, température maximale autorisée pour tout meuble en bois. Assurez-vous que le revêtement mural, les plans de travail et les meubles adjacents peuvent résister à la chaleur (jusqu'à 194 °F) générée par la cuisinière. Dans le cas contraire, des éléments peuvent se décolorer, se décoller ou fondre.



A : ouverture du meuble : minimum 30" (76,2 cm)

B : emplacement autorisé pour la prise électrique

IMPORTANT : si vos meubles mesurent plus de 36³/₄" de hauteur, vous devez installer cette cuisinière sur un support solide et résistant à la chaleur, qui permet de relever la surface de la cuisinière de sorte qu'elle arrive à peu près au niveau du plan de travail.

ATTENTION

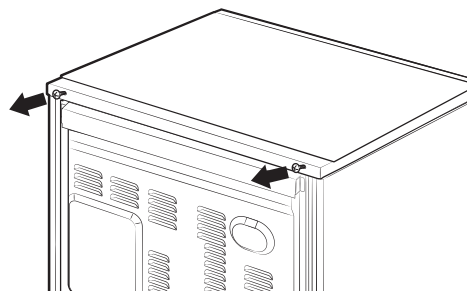
Vous devez utiliser le kit de fileur arrière pour installer la cuisinière dans un meuble avec découpage pour encastrement. Pour en savoir plus, reportez-vous à la section « Kit de fileur arrière en option » ci-après.

REMARQUE

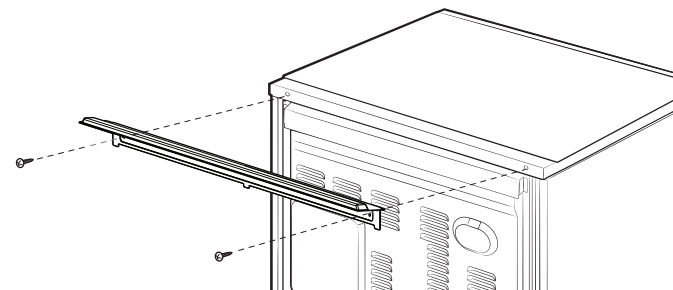
Si vous installez l'appareil en îlot de cuisine, vous devez maintenir un espacement d'au moins 2-1/2" entre le découpage et l'arête arrière du plan de travail et d'au moins 3" entre le découpage et les arêtes latérales du plan de travail.

Kit de fileur arrière en option

Utilisez ce kit pour combler le jeu entre l'arrière de la cuisinière et le mur. Ajoute une baguette à l'arrière de la cuisinière. Ce kit ne peut être utilisé que lorsque la profondeur de l'ouverture dans le plan de travail est de 25".



1. Dévissez les vis maintenant la grille de ventilation en place.



2. Installez la baguette à l'arrière de la cuisinière à l'aide des vis retirées.

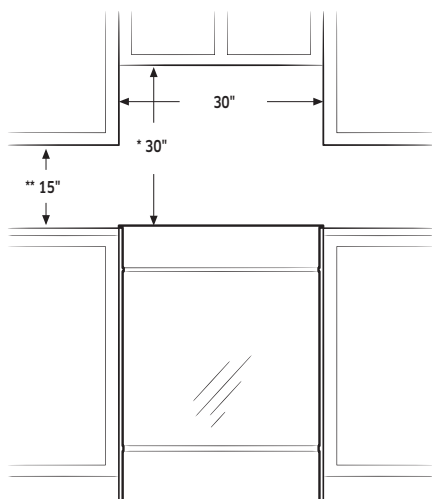
REMARQUE

Si la profondeur du plan de travail dépasse 25", il y aura un jeu entre le kit de fileur et le mur arrière.

Préparation avant l'installation de la cuisinière

Dimensions minimales

IMPORTANT : pour éliminer tout risque de brûlure ou d'incendie lors de l'accès à l'espace situé au-dessus des éléments de cuisson chauds, évitez d'y aménager tout meuble de rangement. Si un meuble de rangement est situé au-dessus des éléments de cuisson, vous pouvez réduire le risque en installant une hotte d'aspiration assurant une protection horizontale d'au moins 5 pouces au-delà du dessous du meuble.



* Un dégagement d'au moins 30" est nécessaire entre le dessus de la surface de cuisson et le dessous d'un meuble en bois ou en métal non protégé, ou d'au moins 24" si le dessous du meuble en bois ou en métal est protégé par un carton à l'enrouleuse ignifugeant d'au moins 1/4" d'épaisseur recouvert au minimum d'une tôle d'acier MSG n°28, d'acier inoxydable de 0,015" d'épaisseur, d'aluminium de 0,024" d'épaisseur ou de cuivre de 0,020" d'épaisseur.

** Un dégagement d'au moins 15" est nécessaire entre le plan de travail et le dessous du meuble adjacent.

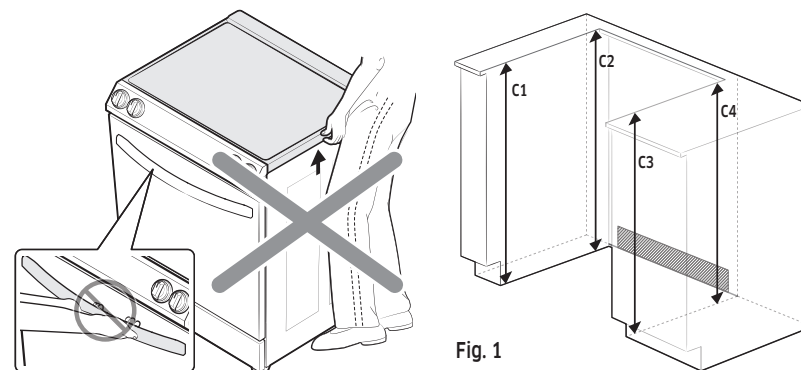
ATTENTION

De la vapeur peut s'échapper par les orifices de ventilation. Ceci est tout à fait normal, mais faites attention car elle peut être chaude. Selon le matériau de votre mur, la vapeur chaude peut laisser des taches dessus.

Pour éviter toute rupture

ATTENTION

Veillez à NE PAS soulever ou manipuler l'appareil par la vitre de la table de cuisson ou par la poignée de la porte.



1. Le plan de travail autour des découpes doit être plat et ajusté.
2. Avant d'installer l'appareil, mesurez les hauteurs des deux côtés du meuble (C1 à C4), à l'avant et à l'arrière (voir Fig. 1) entre le sol et la face supérieure du plan de travail.
3. Mettez la cuisinière de niveau en utilisant les quatre pieds de mise à niveau de sorte que la hauteur entre le sol et la face inférieure du cadre de la vitre de la table de cuisson soit supérieure d'au moins 1/16" à la mesure du meuble le plus haut.
4. Faites glisser l'appareil dans le meuble (**POUSSEZ DOUCEMENT**). Assurez-vous que le centre de l'appareil soit aligné avec le centre des découpes du meuble.

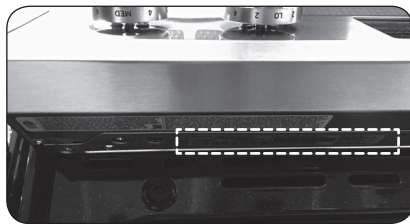
Mise sous tension

Étape 1 : respect des exigences en matière de raccordements électriques

⚠ ATTENTION

Pour votre propre sécurité, n'utilisez pas de rallonge avec cet appareil. Retirez le fusible du domicile ou coupez le disjoncteur avant de démarrer l'installation.

Cet appareil doit être alimenté par une tension et à une fréquence adaptées. Il doit également être branché sur un circuit de dérivation individuel correctement mis à la terre et protégé par un disjoncteur ou un fusible dont l'ampérage est conforme à celui spécifié sur la plaque signalétique de l'appareil. La plaque signalétique est située au bas du tableau de commande.



Nous vous recommandons de confier le câblage et le branchement électriques de votre cuisinière à un électricien qualifié. Une fois l'installation effectuée, demandez à l'électricien de vous montrer l'emplacement de débranchement principal de votre cuisinière.

Vérifiez auprès de votre service public les codes électriques s'appliquant à votre zone. Le non-respect des codes obligatoires pour le branchement de votre four peut s'avérer dangereux. S'il n'existe pas de codes locaux, votre cuisinière doit être branchée conformément aux exigences du Code national électrique, ANSI/NFPA N° 70 (dernière édition). Vous pouvez en obtenir une copie en adressant un courrier à :

National Fire Protection Association
Batterymarch Park
Quincy, MA 02269

Entré en vigueur le 1er janvier 1996, le Code électrique national exige que toute construction neuve (non existante) doive être équipée d'un branchement à 4 conducteurs pour les cuisinières électriques.

Lorsque vous installez une cuisinière électrique dans une construction neuve, suivez les étapes 2 et 3 relatives à un raccordement à 4 fils.

Vous devez utiliser un système électrique à 3 fils ou 4 fils monophasé CA de 208Y/120 volts ou 240/120 volts, 60 hertz.

Si votre installation électrique n'est pas conforme aux spécifications ci-dessus, contactez un électricien agréé afin d'installer une prise homologuée.

Utilisez uniquement un cordon d'alimentation à 3 ou 4 fils figurant dans la liste UL. Ces cordons peuvent être fournis avec des bornes rondes sur le fil et un réducteur de tension.

Un cordon d'alimentation nominale de 40 A et de 125/250 V minimum est indispensable. Il est déconseillé d'utiliser un cordon d'alimentation de 50 A mais, si toutefois vous en utilisez un, celui-ci doit être étiqueté pour être utilisé avec des ouvertures de connexion de diamètre nominal 1³/₈". Veillez à bien centrer le câble et le réducteur de tension dans le trou d'éjection afin d'empêcher que le bord n'endommage le câble.

- Étant donné que les prises de la cuisinière sont inaccessibles une fois la cuisinière installée, il est nécessaire d'utiliser une gaine ou un cordon de service flexible.

📖 REMARQUE

Si les fils d'alimentation sont mal branchés, le message suivant apparaît à l'écran.

- LCD, PMOLED : Wire installation fail (mauvais branchement des câbles)
- LED : bAd LinE (mauvais branchement)

Rebranchez correctement les fils d'alimentation ; le message disparaît alors.

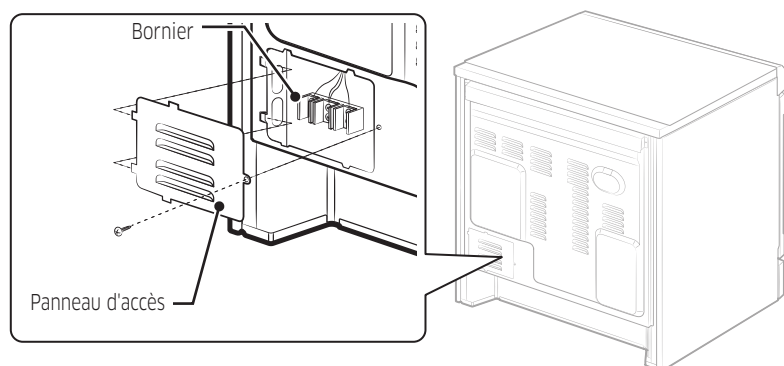


TOUTES LES CONSTRUCTIONS DONT LES CIRCUITS DÉRIVÉS SONT NEUFS, LES MOBIL-HOMES, LES VÉHICULES ET LES INSTALLATIONS DE LOISIRS DONT LES CODES LOCAUX INTERDISENT LA MISE À LA TERRE PAR UN CONDUCTEUR NEUTRE, NÉCESSITENT L'UTILISATION D'UN CORDON D'ALIMENTATION 4 FILS SPÉCIAL CUISINIÈRE, RÉPERTORIÉ UL.

Mise sous tension

Étape 2 : accès au branchement du cordon d'alimentation

Desserrez puis retirez la vis du panneau d'accès situé à l'arrière à l'aide d'un tournevis. Retirez le panneau d'accès situé à l'arrière en le tirant bien droit pour le faire sortir. Vous pourrez alors accéder au bornier.



Valeurs nominales spécifiées du kit de cordon d'alimentation et de la protection de circuit

Valeurs nominales de la cuisinière (watts)		Valeurs nominales spécifiées du kit de cordon d'alimentation et de la protection de circuit (ampères)	Diamètre (pouces) de l'ouverture de connexion de la cuisinière	
120/240 volts, 3 fils	120/208 volts, 3 fils		Cordon d'alimentation	Gaine
8750 à 16500	7801 à 12500	40 ou 50 A	1 ³ / ₈ "	1 ¹ / ₈ "

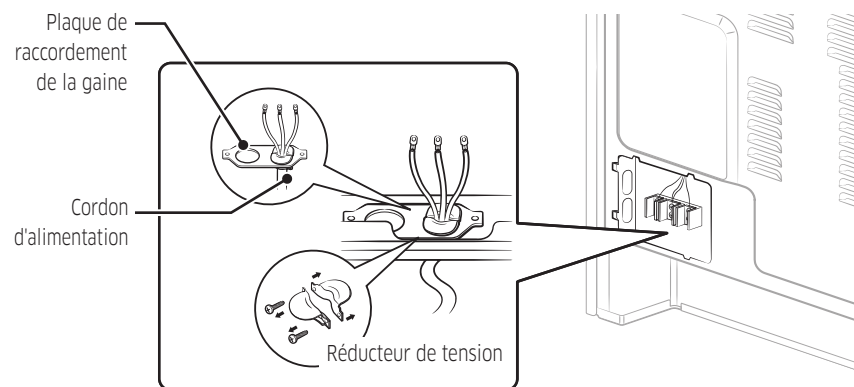
Cet appareil doit être alimenté par une tension et à une fréquence adaptées. Il doit également être branché sur un circuit de dérivation dédié correctement mis à la terre et protégé par un disjoncteur d'au moins 40 A.

REMARQUE

Pour l'installation du cordon d'alimentation, reportez-vous à l'**étape 3**. Pour l'installation de la gaine, reportez-vous à l'**étape 4** en page 11.

Étape 3 : installation du cordon d'alimentation

Pour l'installation du cordon d'alimentation, accrochez le réducteur de tension sur l'orifice du cordon d'alimentation (1³/₈" situé sous la partie arrière du tiroir. Insérez le cordon d'alimentation dans le réducteur de tension et serrez ce dernier.



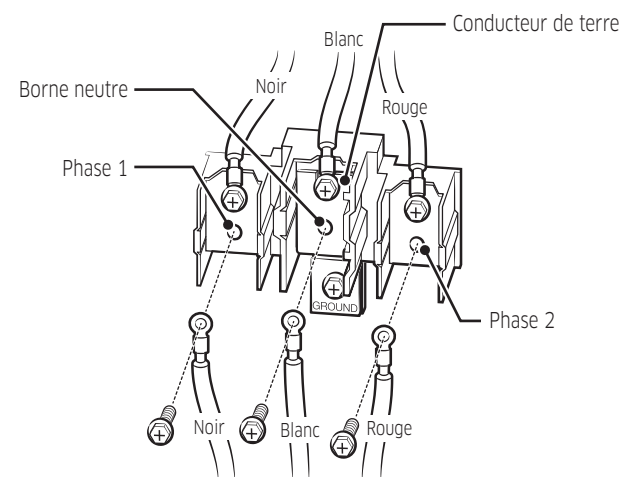
- **Le cordon d'alimentation doit être installé au moyen d'un réducteur de tension.**
- Fixez le réducteur de tension sur l'ouverture de 1³/₈" dans la plaque de raccordement de la gaine.

Installation d'un cordon d'alimentation à 3 fils

⚠ AVERTISSEMENT

La prise de terre ou la prise neutre du cordon d'alimentation doit être connectée à la borne neutre située au centre du bornier. Les câbles d'alimentation doivent être connectés aux bornes inférieures gauches et inférieures droites du bornier.

1. Retirez les 3 vis de la borne inférieure du bornier.
2. Insérez les 3 vis de la borne dans les bornes inférieures du bornier en passant par chacun des anneaux de la borne du cordon d'alimentation. Assurez-vous que le fil central (blanc/neutre) est relié à l'emplacement central inférieur du bornier.
3. Serrez fermement les vis sur le bornier. **NE retirez PAS la connexion du conducteur de terre.**
4. Reportez-vous à l'étape 5 en page 13 pour poursuivre l'installation.



Mise sous tension

⚠ ATTENTION

Vous devez vérifier la tension après avoir branché le cordon d'alimentation.

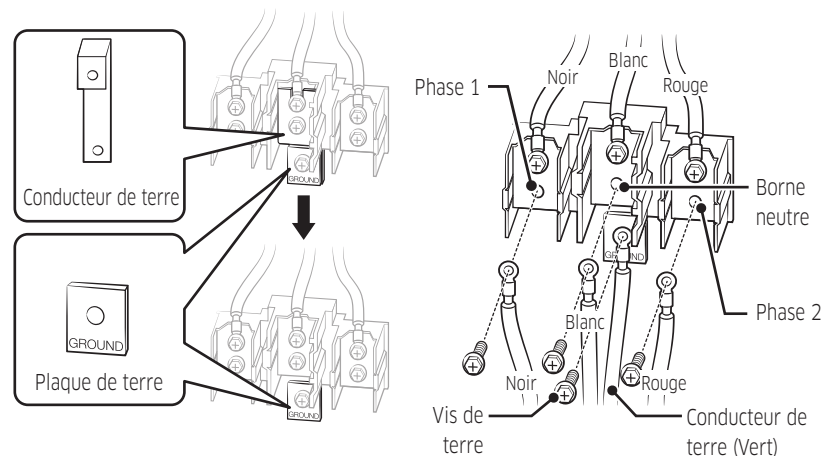
Phase 1 - Neutre	120 V
Phase 2 - Neutre	120 V
Phase 1 - Phase 2	208 V / 240 V

Installation d'un cordon d'alimentation à 4 fils

⚠ AVERTISSEMENT

La prise neutre du circuit d'alimentation doit être connectée à la borne neutre située au centre inférieur du bornier. Les câbles d'alimentation doivent être connectés aux bornes inférieures gauches et inférieures droites du bornier. Le 4ème câble de mise à la terre doit être connecté au bâti de la cuisinière au moyen de la plaque et de la vis de masse.

1. Retirez les 3 vis de la borne inférieure du bornier. Retirez la vis et la plaque de terre et conservez-les.
2. **Coupez et jetez le conducteur de terre. Ne jetez aucune vis.**
3. Insérez la vis de terre dans l'anneau de la borne du fil de mise à la terre du cordon d'alimentation, en passant par la plaque de masse puis dans le bâti de la cuisinière.
4. Insérez les 3 vis de la borne (retirées précédemment) dans les bornes inférieures du bornier en passant par chacun des anneaux de la borne du cordon d'alimentation. Assurez-vous que le fil central (blanc/neutre) est relié à l'emplacement central inférieur du bornier. Serrez fermement les vis sur le bornier.
5. Reportez-vous à l'**étape 5** en page 13 pour poursuivre l'installation.



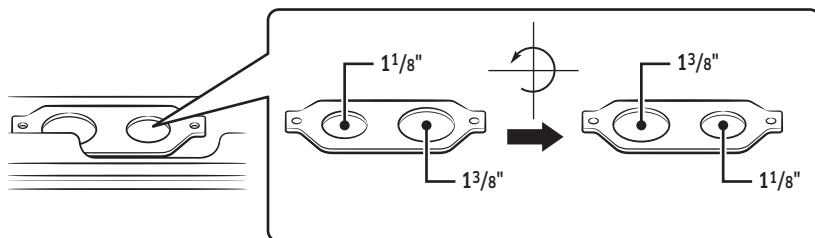
⚠ ATTENTION

Vous devez vérifier la tension après avoir branché le cordon d'alimentation.

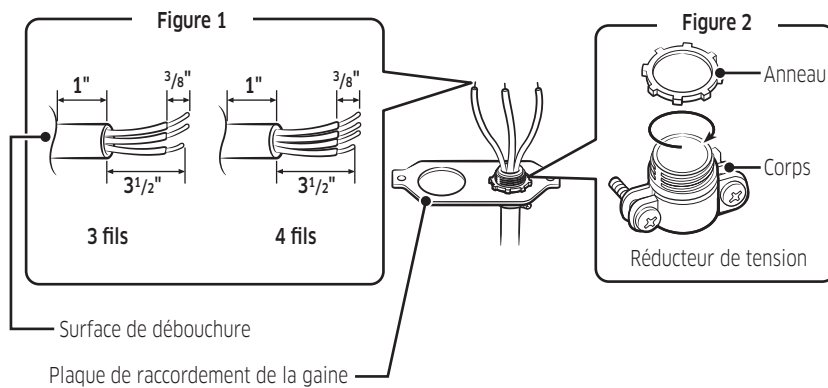
Phase 1 - Neutre	120 V
Phase 2 - Neutre	120 V
Phase 1 - Phase 2	208 V / 240 V

Étape 4 : installation de la gaine

Retirez la plaque de raccordement de la gaine et tournez-la comme indiqué ci-dessous. Le trou de la gaine (1¹/₈") doit être utilisé.



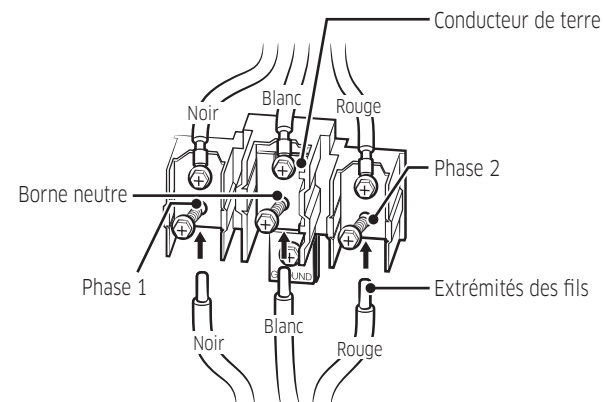
1. Préparez le cordon de la gaine comme le montre la figure 1.
2. Installez le cordon de la gaine comme le montre la figure 2.



Pour l'installation de la gaine, insérez le réducteur de tension (non fourni) dans le trou de la gaine (1¹/₈"). Faites ensuite passer le cordon de la gaine dans le réducteur de tension, puis serrez l'anneau de serrage. Réinstallez le support.

Installation d'une gaine à 3 fils

- Un fil de bâtiment en aluminium peut être utilisé mais il devra être doté de l'intensité et de la tension nominales correctes. Raccordez les fils comme décrit ci-dessous.
 - Le fil utilisé, l'emplacement, les boîtiers d'épissures, etc. doivent être conformes aux bonnes pratiques de câblage et aux codes locaux.
1. Desserrez les 3 vis des bornes inférieures du bornier.
 2. Insérez l'extrémité du fil dénudé (blanc/neutre) central dans l'ouverture inférieure centrale du bornier. Sur certains modèles, le fil devra être inséré dans l'ouverture du conducteur de terre puis dans l'ouverture inférieure centrale du bornier.
 3. Insérez les deux extrémités dénudées des fils de chaque côté dans les ouvertures inférieure gauche et inférieure droite du bornier.
 4. Serrez les vis jusqu'à fixation complète du fil (35 à 50 pouces-livres). Ne serrez pas excessivement les vis sous peine d'endommager les fils.
 5. Reportez-vous à l'**étape 5** en page 13 pour poursuivre l'installation.



Mise sous tension

Mise sous tension

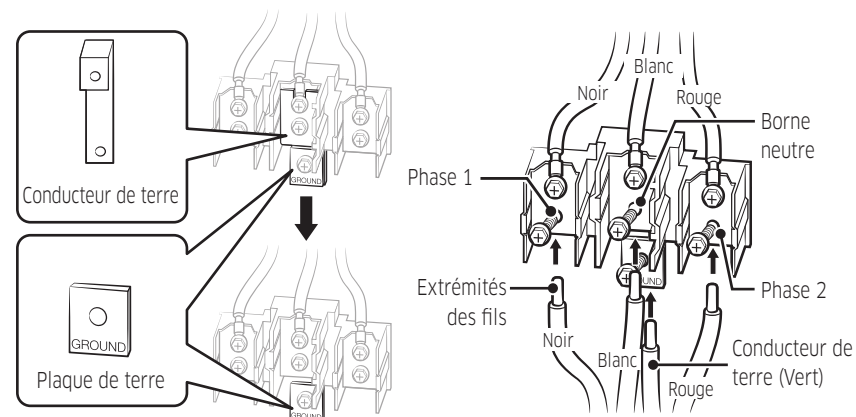
⚠ ATTENTION

Vous devez vérifier la tension après avoir branché le cordon d'alimentation.

Phase 1 - Neutre	120 V
Phase 2 - Neutre	120 V
Phase 1 - Phase 2	208 V / 240 V

Installation d'une gaine à 4 fils

- Un fil de bâtiment en aluminium peut être utilisé mais il devra être doté de l'intensité et de la tension nominales correctes permettant d'effectuer le raccordement. Raccordez les fils comme décrit ci-dessous.
 - Le fil utilisé, l'emplacement, les boîtiers d'épissures, etc. doivent être conformes aux bonnes pratiques de câblage et aux codes locaux.
- Desserrez les 3 vis des bornes inférieures du bornier. Retirez la vis et la plaque de terre et conservez-les.
 - Coupez et jetez le conducteur de terre. Ne jetez aucune vis.**
 - Insérez l'extrémité du fil de terre dénudée entre le bâti de la cuisinière et la plaque de terre (retirée précédemment) et fixez-la à l'aide de la vis de terre (retirée précédemment).
 - Insérez l'extrémité dénudée du fil (blanc/neutre) dans l'ouverture inférieure centrale du bornier.
 - Insérez les deux extrémités dénudées des fils de chaque côté dans les ouvertures inférieure gauche et inférieure droite du bornier.
 - Serrez les vis jusqu'à fixation complète du fil (35 à 50 pouces-livres). Ne serrez pas excessivement les vis sous peine d'endommager les fils.
 - Reportez-vous à l'**étape 5** en page 13 pour poursuivre l'installation.



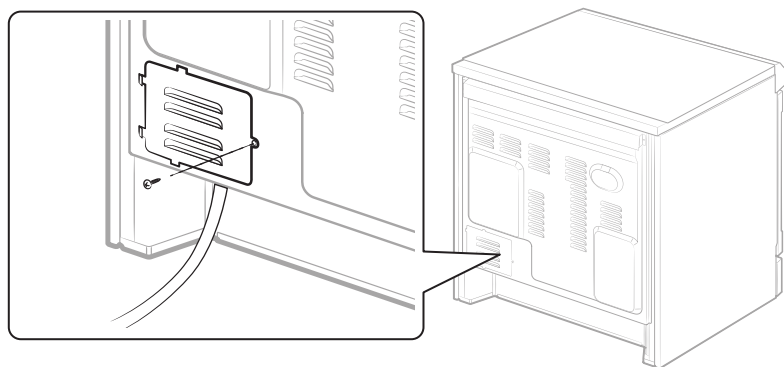
⚠ ATTENTION

Vous devez vérifier la tension après avoir branché le cordon d'alimentation.

Phase 1 - Neutre	120 V
Phase 2 - Neutre	120 V
Phase 1 - Phase 2	208 V / 240 V

Étape 5 : remise en place du panneau d'accès

Pour remettre en place le panneau d'accès situé à l'arrière de la cuisinière, insérez les deux parties en saillie situées en bas du panneau dans les orifices situés sous l'ouverture, puis insérez et serrez la vis du panneau d'accès situé à l'arrière.



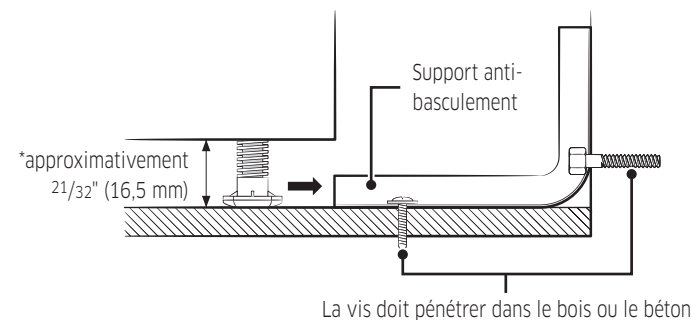
Installation de la cuisinière

Installation du dispositif anti-basculement

⚠ AVERTISSEMENT

Pour réduire le risque de basculement, vous devez fixer l'appareil en installant convenablement le dispositif anti-basculement fourni avec l'appareil.

- Reportez-vous aux consignes d'installation fournies avec le support.
- Si le dispositif anti-basculement n'est pas installé correctement, un enfant ou un adulte montant ou s'asseyant sur la porte peut faire basculer la cuisinière et souffrir de graves blessures suite au renversement de liquides chauds ou de la cuisinière elle-même.



📖 REMARQUE

Desserrez le pied de mise à niveau pour installer le support anti-basculement. Un dégagement d'au moins $21/32$ " (16,5 mm) est nécessaire entre le dessous de la cuisinière et le sol de la cuisine.

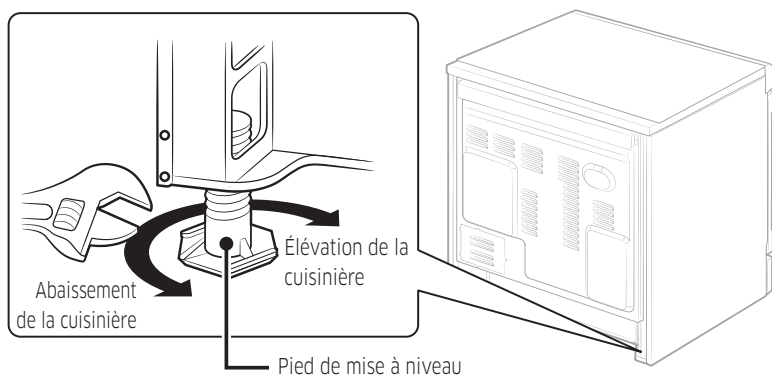
Installation de la cuisinière

1. Installation du support à l'aide du modèle

Le support anti-basculement s'accompagne d'un modèle. Les consignes comportent les informations nécessaires à l'exécution de l'installation. Lisez et suivez les consignes figurant sur la fiche (modèle) pour l'installation de la cuisinière.

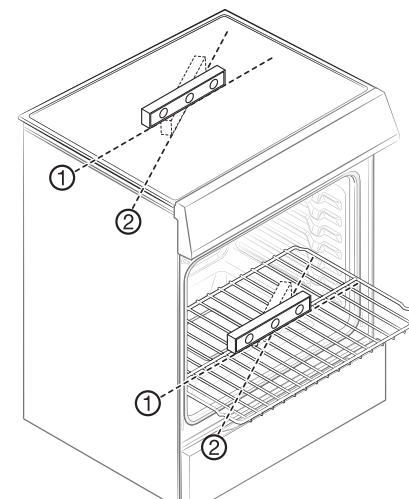
2. Mise à niveau de la cuisinière

Mettez la cuisinière de niveau en ajustant les pieds de mise à niveau à l'aide d'une clé.



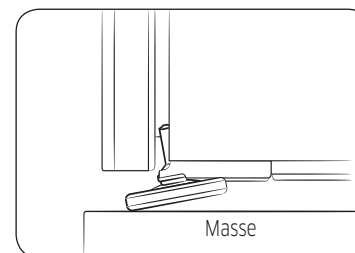
3. Vérification des réglages

Utilisez un niveau à bulle pour vérifier vos réglages. Placez le niveau en diagonale sur la grille du four ou la table de cuisson et vérifiez le niveau dans les deux directions indiquées ci-dessous.



1. Vérifiez la direction 1.
2. Vérifiez la direction 2.

Si le niveau à bulle indique que la cuisinière n'est pas de niveau, ajustez les pieds de mise à niveau à l'aide d'une clé.



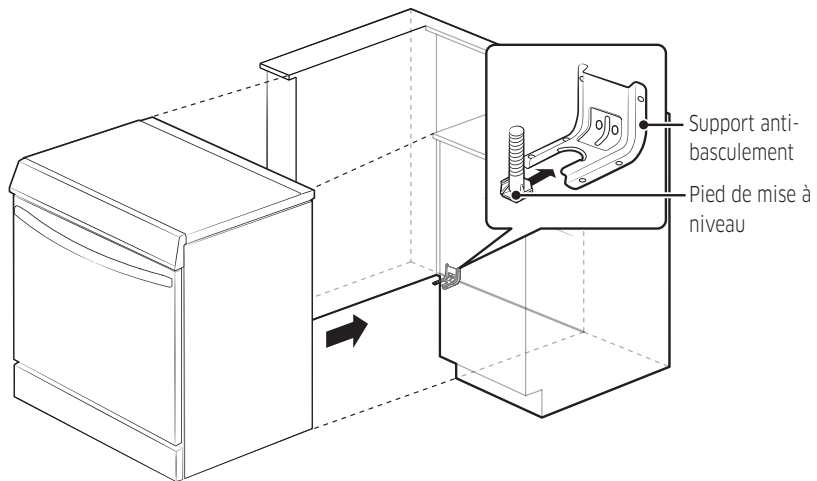
⚠ ATTENTION

Pour votre sécurité, n'essayez pas de modifier ou de redresser les pieds avant. Les pieds de mise à niveau avant de la cuisinière sont conçus pour être inclinés afin d'éviter un basculement accidentel.

Notes

Finalisation de l'installation

- Placez la cuisinière suffisamment près de l'ouverture pour permettre le branchement de la prise.
- Positionnez la cuisinière en vous assurant que le pied arrière gauche (ou arrière droit) se glisse sous le support anti-basculement.
- Inclinez avec précaution la cuisinière vers l'avant afin de vous assurer que le support anti-basculement s'emboîte dans la fixation arrière et que la cuisinière ne bascule pas.
- Mettez l'appareil sous tension. Vérifiez que la cuisinière fonctionne correctement comme indiqué dans le manuel d'utilisation.





Scan this with your smartphone

Scannez le code QR* ou rendez-vous sur le site www.samsung.com/spsn pour voir nos vidéos et démonstrations en direct d'utilisation.

* Requiert l'installation d'un lecteur sur votre smartphone

Veillez noter que la garantie Samsung n'inclut pas les déplacements du service après-vente pour expliquer le fonctionnement de l'appareil, corriger une installation non correcte ou exécuter des travaux de nettoyage ou d'entretien réguliers.

UNE QUESTION ? UN COMMENTAIRE ?

PAYS	N° DE TÉLÉPHONE	SITE INTERNET
U.S.A Consumer Electronics	1-800-SAMSUNG (726-7864)	www.samsung.com/us/support
CANADA	1-800-SAMSUNG (726-7864)	www.samsung.com/ca/support (English) www.samsung.com/ca_fr/support (French)



DG68-01257A-00