



30-INCH DOWNDRAFT

MRV3015 | MODERNIST COLLECTION



AVAILABLE MODELS

MRV3015M	30" Downdraft, Graphite Stainless
MRV3015S	30" Downdraft, Silver Stainless
MRV3015-ERS	30" Downdraft, Silver Stainless (Range)

FEATURES & BENEFITS

- Stepless blower speed capacity
- Versatile blower options (600 CFM to 1,100 CFM)
- Extend and retract downdraft with a touch of a button
- American made
- Removable, easy-to-clean filters capture grease without affecting the airflow

CONTROL FEATURES

FAN SPEEDS	STEPLESS
LOCATION	FRONT

BLOWER OPTIONS

REMP3	600 CFM REMOTE BLOWER
REMP16	1,000 CFM REMOTE BLOWER
ILHSF8	600 CFM INLINE BLOWER
ILHSF10	1,100 CFM INLINE BLOWER
CABP3*	600 CFM CABINET BLOWER

TECHNICAL DETAILS

CIRCUIT BREAKER (A)	15
VOLTS (V)	120
FREQUENCY (HZ)	60
ENERGY SOURCE	ELECTRIC

DIMENSIONS

APPLIANCE DIMENSIONS (WIDTH) (IN.)	30"
UPPER CABINET CUTOUT (W) (IN.)	30"

WARRANTY

LIMITED, PARTS AND LABOR	2 YEARS
--------------------------	---------

*CABP3 - AERVCAB adapter required for cabinet blower installation (Only for MRV3615M/S)

APPLIANCE DIMENSIONS

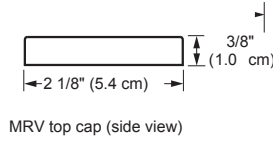
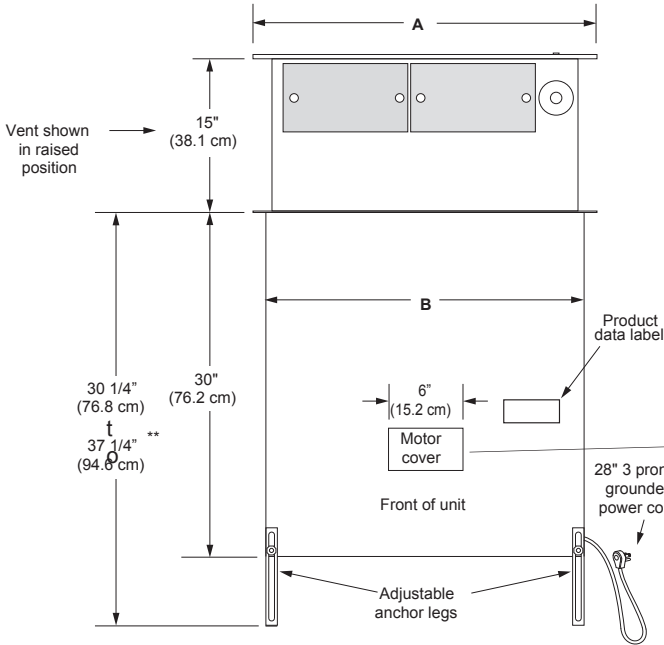
MRV3015

A - TOP-CAP WIDTH

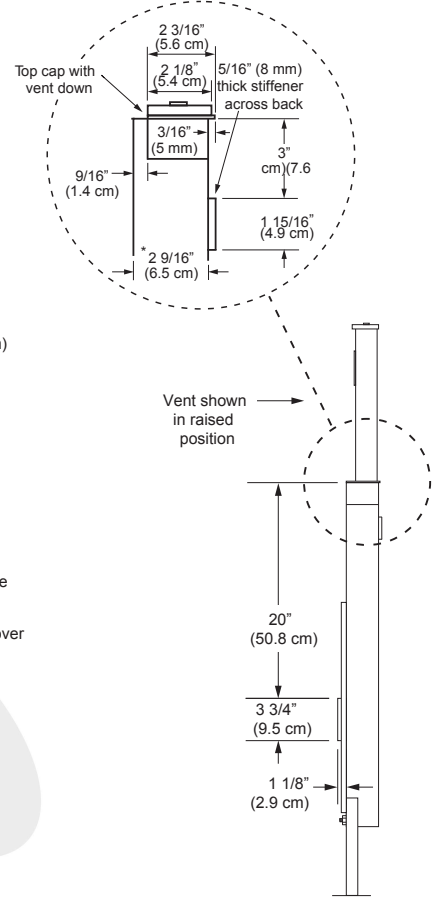
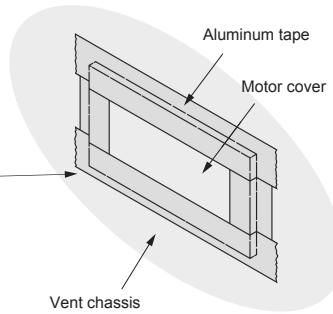
B - CHASSIS WIDTH

30" (76.2 CM)

27 3/8" (69.5 CM)

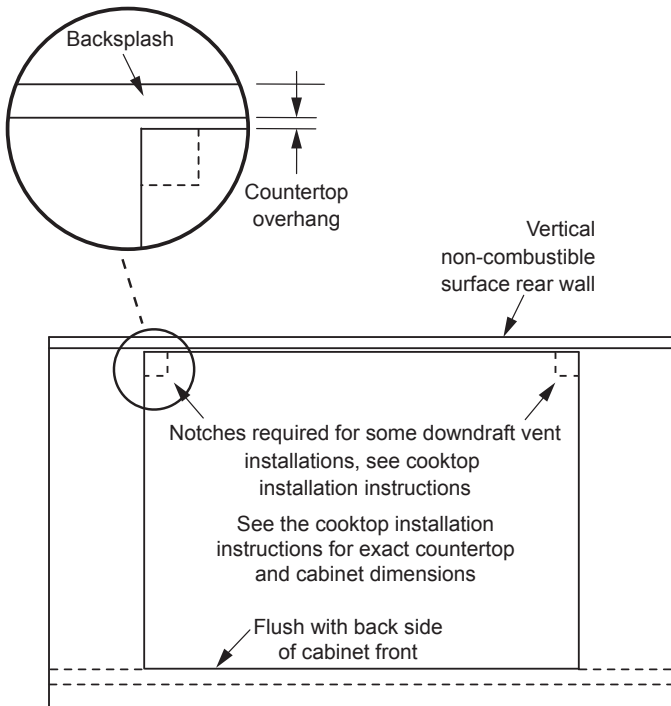


See pages 9 and 10 for exhaust locations and dimensions.

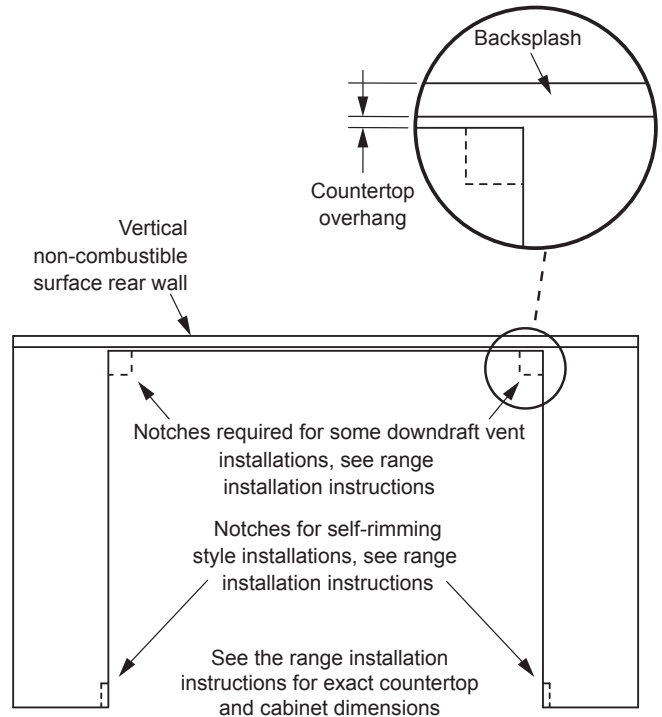


* Total chassis depth with optional CABP3 blower installed is 10 3/8" (26.3 cm).

** Maximum height of downdraft vent must not exceed maximum specified counter height for cooking appliance. See installation instructions for cooking appliance.



Cooktop Cabinet/Countertop Cutout - Top View



Range Cabinet/Countertop Cutout - Top View