



## 30-INCH SINGLE WALL OVEN

DOB30M977S | CONTEMPORARY STYLE



### AVAILABLE MODELS

DOB30M977SM	30" Steam-Assisted Single Wall Oven Graphite Stainless Steel
DOB30M977SS	30" Steam-Assisted Single Wall Oven Stainless Steel

### FEATURES & BENEFITS

- Available in graphite stainless steel and silver stainless steel.
- Exclusive Four-Part Dual Pure Convection - heat, air, baffle and filter to precisely distribute heat for superior cooking results.
- Steam and Convection Oven - the power of steam assist and convection cooking in one.
- Oven capacity: 4.8 cu. ft.
- Easy to use / refill water reservoir for steam cooking.
- 7" LCD control panel.
- BrightVue™ - integrated LED lights in the oven door + Halogen lights.
- SoftShut™ oven doors.
- SmartThings app with integrated Wi-Fi to control and monitor remotely.

### ACCESSORIES (INCLUDED)

GLIDERACK™	2
STANDARD RACK	1
TEMPERATURE PROBE	1
MESH FILTER	2
AUTOMATIC WATER RESERVOIR	1

### ACCESSORIES (OPTIONAL)

COOKIE SHEETS (SET OF 3)	SKU - ACSM303
--------------------------	---------------

### GENERAL PROPERTIES

COOKING MODES	BAKE - BROIL - CONVECTION BAKE - CONVECTION ROAST - CONVECTION BROIL - FOUR PART PURE CONVECTION - PURE CONVECTION SEAR - STEAM BAKE - STEAM ROAST
---------------	--

### ADDITIONAL FEATURES

CLEANING TYPE	SELF CLEAN & GREENCLEAN
CONTROLS	7" TFT LCD
WI FI	YES
RACK POSITIONS	6
CONVECTION TYPE	FOUR PART DUAL PURE CONVECTION WITH MESH FILTER
LIGHTING	BRIGHTVUE™ - LED + HALOGEN

### OVEN PERFORMANCE

BAKE	3,000W - 8 PASS
BROIL	4,400W - 10 PASS
CONVECTION ELEMENT	1,300W (EACH - 2,600W TOTAL)
STEAM HEATER	500W

### CONTROL FEATURES

DELAY START	YES
KITCHEN TIMER	YES
SABBATH MODE	YES
CHILD LOCK	YES

### ADDITIONAL MODES

KEEP WARM	YES
PROOF (LOWER TEMP)	YES
PROOF	YES
PIZZA STONE MODE	YES
DEHYDRATE	YES
GOURMET COOK	YES
INSTANTHEAT™	YES
TEMPERATURE PROBE	YES
AUTO CONVERSION	YES

### TECHNICAL DETAILS

CIRCUIT BREAKER (A)	30
VOLTS (V)	240 / 208
FREQUENCY (HZ)	60
ENERGY SOURCE	ELECTRIC

### DIMENSIONS & WEIGHT

APPLIANCE DIMENSIONS (W X H X D) (IN.)	29 7/8" X 28 7/8" X 24 1/2"
REQUIRED CUTOUT SIZE (W X H X D) (IN.)	30 1/4" X 29 1/8" X 24 7/8"
OVEN CAPACITY (CUBIC FEET)	4.8
NET WEIGHT (LBS)	213.8 LBS

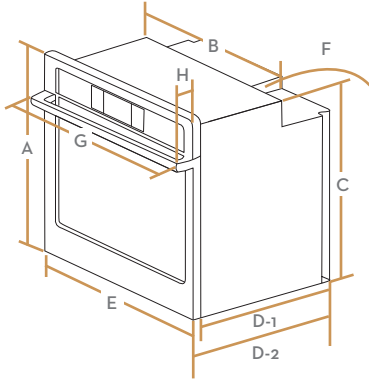
### WARRANTY

LIMITED, PARTS AND LABOR	2 YEARS
--------------------------	---------

# dacor

## 30-INCH SINGLE WALL OVEN

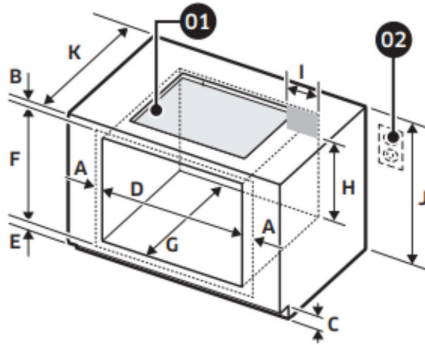
### APPLIANCE DIMENSIONS



### APPLIANCE DIMENSIONS

A	28 7/8" (73.1CM)	OVERALL HEIGHT (RECESSED HEIGHT IN FLUSH INSTALL)
B	28 1/2" (72.4CM)	RECESSED WIDTH
C	27 1/5" (69.1CM)	RECESSED HEIGHT
D-1	23 1/8" (58.7CM)	RECESSED DEPTH (STANDARD INSTALL)
D-2	24 1/2" (62.2CM)	RECESSED DEPTH (FLUSH INSTALL)
E	29 7/8" (75.7CM)	DOOR WIDTH
F	47 1/4" (120CM)	CONDUIT LENGTH
G	29 7/8" (75.7CM)	OVERALL WIDTH (HANDLE WIDTH)
H	3 1/2" (8.9CM)	HANDLE DEPTH

### STANDARD CABINET DIMENSIONS



**01** - Approved gas or electric cooktops may be installed over this oven. See cooktop installation instructions for cutout size. See label on top of approved cooktop models.

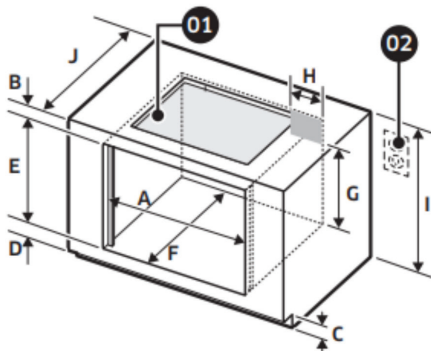
**02** - Gas and Electrical connections for Gas Cooktop must be located in an adjacent accessible location to the right.

\*DTG cooktop cannot be installed over a wall oven.

### CABINET STANDARD DIMENSION

A	MIN. 11/16" (1.75CM) - OVERLAP OF OVER SIDE EDGES OF CUTOUT
B	MIN. 1 3/8" (3.5CM)
C	4" (10.1CM)
D	MIN. 28 1/2" / MAX. 28 5/8" (MIN. 72.4CM / MAX. 72.7CM)
E	MIN. 1" / MAX. 1 1/4" (MIN. 2.5CM / MAX. 3.2CM)
F	MIN. 27 3/4" (MIN. 70.5CM)
G	23 1/2" (59.7CM)
H	MIN. 22" (MIN. 55.9CM)
I	MAX. 9 1/2" (MAX. 24.1CM) JUNCTION BOX
J	36" (91.4CM) COUNTER TOP HEIGHT
K	25" (63.5CM)

### FLUSH CABINET DIMENSIONS



**01** - Approved gas or electric cooktops may be installed over this oven. See cooktop installation instructions for cutout size. See label on top of approved cooktop models.

**02** - Gas and Electrical connections for Gas Cooktop must be located in an adjacent accessible location to the right.

\*DTG cooktop cannot be installed over a wall oven.

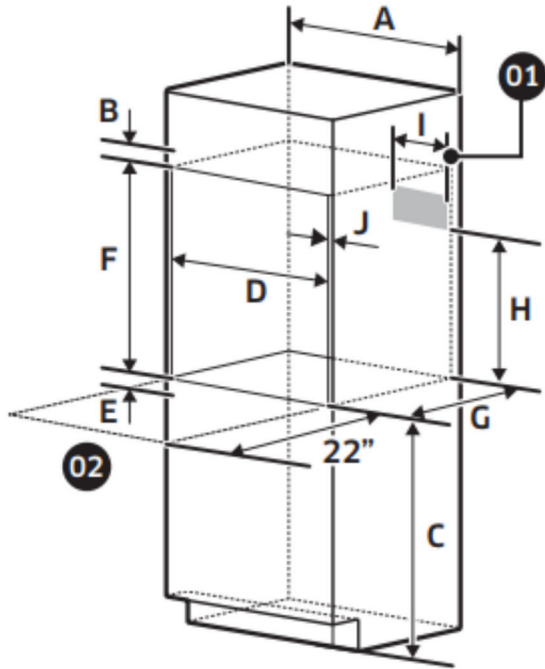
### CABINET STANDARD DIMENSION

A	MIN. 30 1/4" (MIN. 76.7CM)
B	MIN. 1 3/8" (3.5CM)
C	4" (10.1CM)
D	MIN. 2 1/2" (MIN. 6.4CM)
E	MIN. 29 1/8" (MIN. 74.0CM)
F	MIN. 24 7/8" (MIN. 63.0CM)
G	MIN. 22" (MIN. 55.9CM)
H	MAX. 9 1/2" (MAX. 24.1CM) JUNCTION BOX
I	MIN. 11/16" (1.75CM) - WOODEN CABINET THICKNESS
J	25 4/5" (65.5CM)

# dacor

## 30-INCH SINGLE WALL OVEN

### STANDARD WALL MOUNT



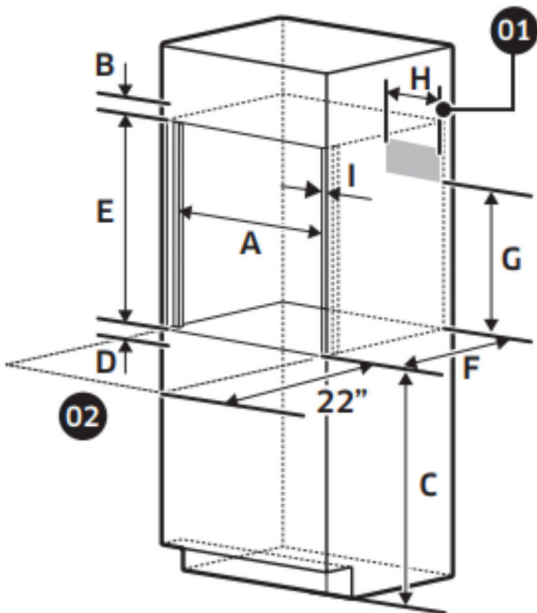
01 - Junction Box

02 - Allow a minimum of 22" for clearance to adjacent corners, drawers, walls, etc. when door is open.

CABINET	STANDARD DIMENSION
---------	--------------------

A	30" (76.2)
B	MIN. 1 3/8" (3.5CM)
C	MIN. 31" (MIN 78.7CM)
D	MIN. 28 3/4" (MIN. 73.0CM)
E	MIN. 1" / MAX. 1 1/4" (MIN. 2.5CM / MAX 3.2CM)
F	MIN. 27 3/4" (MIN. 70.4CM)
G	MIN. 23 1/2" (MIN 59.7CM)
H	MIN. 22" (MIN. 55.9CM)
I	MAX. 9 1/2" (MAX 24.1CM) - JUNCTION BOX
J	MIN. 11/16" (1.75CM) - WOODEN CABINET THICKNESS

### FLUSH WALL MOUNT



01 - Junction Box

02 - Allow a minimum of 22" for clearance to adjacent corners, drawers, walls, etc. when door is open.

CABINET	FLUSH DIMENSION
---------	-----------------

A	MIN. 30 1/4" (MIN. 76.7CM)
B	MIN. 1 3/8" (3.5CM)
C	MIN. 31" (MIN 78.7CM)
D	MIN. 2 1/2" (MIN. 6.4CM)
E	MIN. 29 1/8" (MIN. 74.0CM)
F	MIN. 24 7/8" (MIN 63CM)
G	MIN. 22" (MIN. 55.9CM)
H	MAX. 9 1/2" (MAX 24.1CM) - JUNCTION BOX
I	MIN. 11/16" (1.75CM) - WOODEN CABINET THICKNESS