

***dacor***

LET THE SHOW BEGIN

## Installation Instructions

### Heritage Gas Cooktop

HPCT466GB, HPCT466GS

# Table of Contents

<b>Important Safety Instructions</b> .....	<b>1</b>	<b>Installation Instructions</b> .....	<b>9</b>
Important Information About Safety Instructions .....	1	Verifying Package Contents .....	9
General Safety Precautions .....	2	Installing the Cooktop .....	9
<b>Installation Specifications</b> .....	<b>3</b>	Connecting the Gas Line .....	9
Product Dimensions .....	3	Installing the Burner Assemblies .....	10
Electrical Requirements .....	4	Verifying the Correct Setup .....	10
Gas-Supply Requirements .....	4	Installation Checklist .....	11
Cabinet/Countertop Layout .....	5	<b>Replacement Parts</b> .....	<b>12</b>
Countertop Cutout Dimensions .....	6	<b>Wiring Diagrams</b> .....	<b>13</b>

## Before You Begin...

### Important

**Installer:** In the interest of safety and to minimize problems, read this **Installation Instruction** manual completely and carefully before you begin the installation process. Leave this **Installation Instruction** manual with the consumer.

**Consumer:** Keep this **Installation Instruction** manual for future reference and for the local electrical inspector's use.

**NOTE:** Dacor® is not responsible for service required to correct a faulty installation.

## Customer Service Information

### If You Need Help...

If you have questions or installation/repair/warranty issues, contact the Dacor Customer Assurance Team.

When you call, have available the cooktop's model and serial numbers, which are on the product-data label (see right).

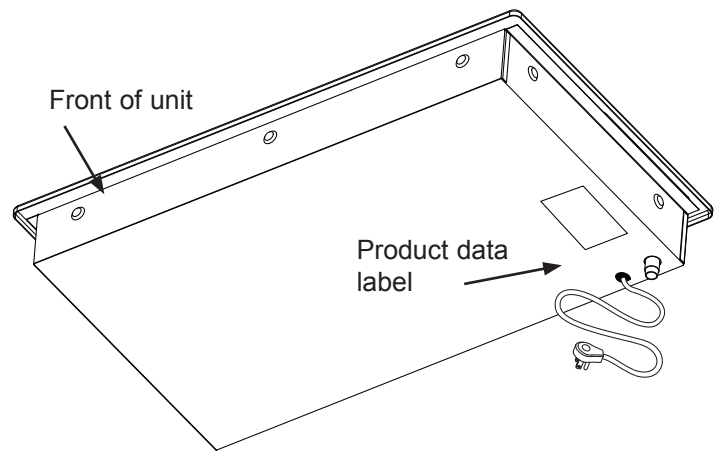
#### Dacor Customer Service

Phone: 833-35-ELITE (833-353-5483) USA, Canada  
Mon – Fri, 5:00 A.M. to 5:00 P.M. Pacific Time

Website: [www.dacor.com/customer-care/contact-us](http://www.dacor.com/customer-care/contact-us)

### Product Data Label

- The product data label contains the model and serial number information and the electrical and gas supply requirements.
- It is attached to the chassis on the bottom of the unit.



Product Data Label Location

All specifications are subject to change without notice. Dacor assumes no liability for changes to specifications.

© 2018 Dacor, all rights reserved.

# Important Safety Instructions

## Important Information About Safety Instructions

The **Important Safety Instructions** and warnings in these instructions are not meant to cover all possible problems and conditions that can occur. Use common sense and caution when installing, maintaining or operating this or any other appliance.

Always contact the Dacor Customer Service Team about problems and conditions that you don't understand. See **Customer Service Information**.

**WARNING: If the information in this manual is not followed exactly, an explosion/fire may result, causing property damage, personal injury, or death.**

**DO NOT store/use combustible, flammable, or explosive vapors and liquids (e.g., gasoline) on or near this or any other appliance.**

### IF YOU SMELL GAS:

- Do not use/light ANY appliance.
- Do not touch ANY electrical switch.
- Do not use ANY phone in the building.
- From a neighbor home, immediately call your gas supplier, and follow their instructions.
- If you cannot contact the gas supplier, call the fire department.

**IN THE EVENT OF A PROLONGED POWER FAILURE: Turn off appliance knobs. Do not try to operate the appliance during a power failure.**

### CALIFORNIA PROPOSITION 65 WARNING

Burning gas cooking fuel generates by-products that are on the list of substances known by the State of California to cause cancer or reproductive harm. California law requires businesses to warn customers of potential exposure to such substances. To minimize your exposure, always operate this unit according to the Use and Care Manual. Always provide good ventilation when cooking with gas.

## Safety Symbols and Labels

### **DANGER**

Immediate hazards that **WILL** result in severe personal injury or death.

### **WARNING**

Hazards or unsafe practices that **COULD** result in severe personal injury or death.

## Dangers and Warnings

### **DANGER**

Do not store/use combustible, flammable, or explosive vapors, liquids (e.g., gasoline), or materials (e.g., aerosol cans) on or near this or any other appliance (incl. above/below the cooktop).

### **WARNING**

**NEVER** use this appliance as a space heater to heat or warm the room. Doing so may result in **carbon monoxide poisoning** and overheating of the appliance

### **WARNING**

**NEVER** cover any slots/holes/passages on the cooktop and cooktop chassis. Doing so blocks air flow through the cooktop and may cause carbon monoxide poisoning. Aluminum-foil linings may also trap heat, causing a fire hazard. Keep all slots, holes, and passages clear of grease and grime.

**READ AND SAVE  
THESE INSTRUCTIONS FOR  
FUTURE REFERENCE**

# Important Safety Instructions

## General Safety Precautions

To reduce the risk of fire, electric shock, serious injury or death when using your appliance, follow basic safety precautions, including the following:

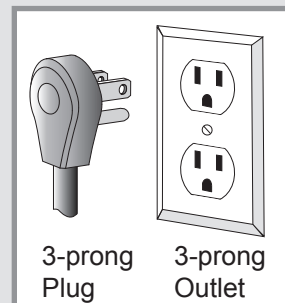
### **WARNING**

- Read the accompanying use and care manual completely before operating this appliance.
- Keep packaging materials away from children. Plastic sheets and bags can cause suffocation.
- If you receive a damaged product, immediately contact your dealer/builder. Do not install/use a damaged appliance.
- Before use, a qualified installer must properly install/ground the cooktop according to these installation instructions. The installer should show the customer the gas shut-off valve and power cord so the customer knows where and how to turn off the gas supply and disconnect power to the cooktop.
- Install/repair/replace cooktop parts only as specifically recommended in the accompanying literature. A qualified service technician should perform all other service.
- Before servicing/installing the cooktop, verify that the gas supply is turned off at the supply valve and that the power plug is detached from the electrical outlet.
- Disconnect the power plug from the electrical outlet before cleaning. Clean this appliance only in the manner specified in the use and care manual.
- Only use the cooktop for home-appliance-type tasks as outlined in the accompanying literature. The cooktop is not designed for commercial/laboratory use.
- **DO NOT TOUCH COOKTOP SURFACES DURING OR IMMEDIATELY AFTER USE.**
- Do not use the cooktop if its power cord is damaged.
- Ensure all burners are OFF before removing the knobs from the valve stems.
- To avoid a fire hazard, do not hang flammable or heat-sensitive objects over the cooktop.
- Do not climb on any part of the appliance.
- Do not leave children unattended near the cooktop nor let them touch its controls or any other parts. Do not store items of interest to children on or above the cooktop as children could be burned/injured while climbing on the appliance.
- Clean and dry the cooktop thoroughly before operating it for the first time.

### **WARNING**

- Keep flammable items (e.g., paper, cardboard, plastic, cloth) away from the cooktop. Do not let pot holders touch hot surfaces or gas burners.
- Do not wear loose/hanging apparel while using the cooktop, or let clothing touch the cooktop and surrounding areas during and immediately after use.
- Do not use towels or bulky cloth as pot holders.
- Do not use the cooktop to heat sealed containers. The container may explode, causing personal injury.
- If the cooktop is near a window, do not hang curtains that could blow over the cooktop and catch fire.
- Non-stick coatings, when heated, can be harmful to pet birds. Relocate birds to a separate, well ventilated room when using the cooktop.

**IMPORTANT:** This appliance is equipped with a 3-prong grounding plug to protect against electric-shock hazards.



Only insert the plug into a dedicated, grounded 3-prong electrical outlet. The customer shall make sure the proper type of outlet is installed.

### **UNDER NO CIRCUMSTANCES SHOULD YOU:**

- remove the third (ground) prong from the power cord
- use an adapter plug
- use an extension cord
- use a damaged power cord
- connect to an electrical outlet with a ground fault interrupter (GFI).

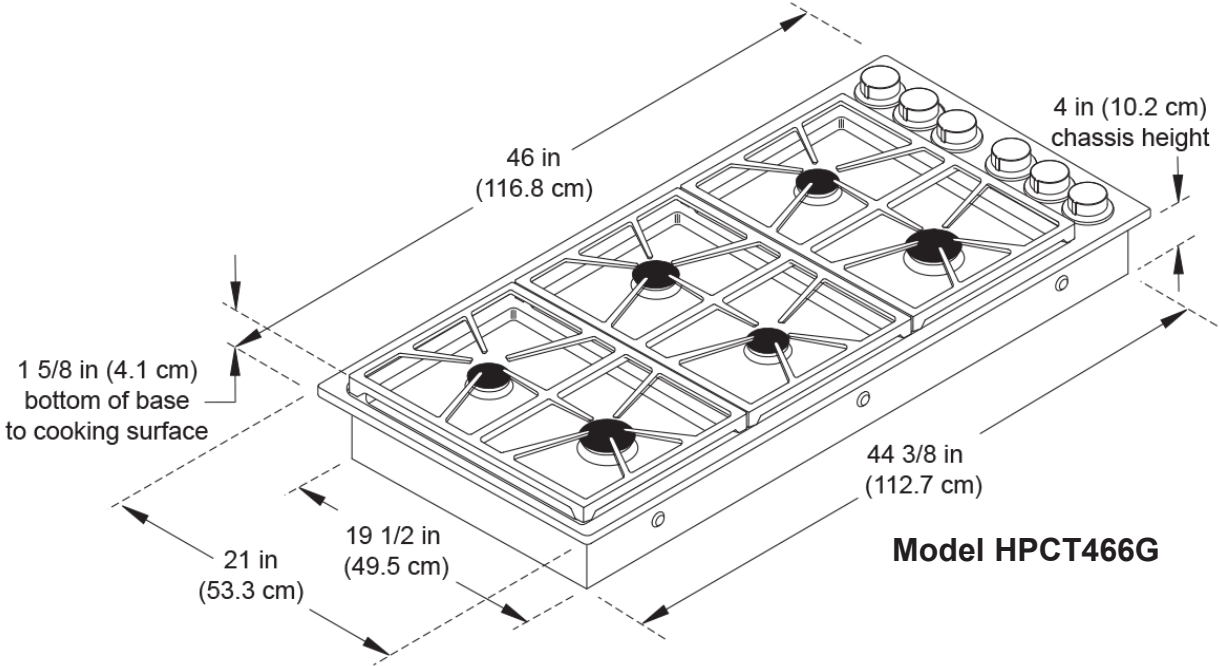
### **WARNING**

Observe all governing codes and ordinances during planning and installation. Contact your local building department for further information.

# Installation Specifications

## Product Dimensions

All tolerances:  $\pm 1/16''$  unless otherwise noted.



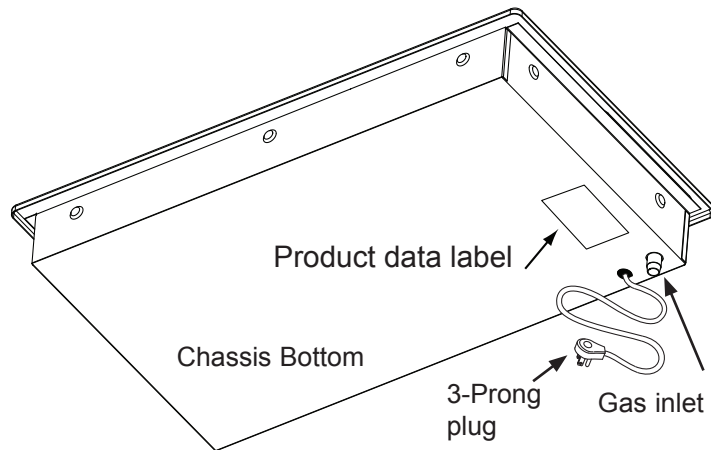
# Installation Specifications

## Electrical Requirements

### **WARNING**

To prevent an electric-shock hazard, the power supply must meet the specifications below. The owner shall ensure that the electrical service meets electrical requirements and that the electrical outlet is properly installed by a licensed electrician.

- A factory-installed 40-in. 3-prong grounding electrical plug is connected to the chassis's bottom right rear corner.



- The cooktop must be connected to a dedicated, grounded 3-prong electrical outlet installed by a licensed electrician.
- The electrical installation, including the supply wire size and grounding, must be done according to National Electric Code ANSI/NFPA 70\* and local codes and ordinances. A copy of this standard is available from:  
National Fire Protection Association  
1 Batterymarch Park  
Quincy, MA 02269-9101
- The correct voltage, frequency, and amperage must be supplied to the electrical outlet according to the product data label on the chassis bottom (previous graphic).
- See the **Gas/Electrical Requirements** table (this page).
- Choose an easily accessible electrical outlet so the power cord may be disconnected to service the cooktop.

## Gas-Supply Requirements

- Ensure the cooktop is correct for the gas (natural or liquid propane) provided. If using the cooktop above 4000 ft. (1219 m) elevation, ensure it is equipped for high-elevation operation.
- Units equipped for liquid propane have "LP" in the model number on the product data label (previous graphic).
- Units equipped for high-elevation use have an "H" at the end of the model number on the product data label.
- Install the cooktop according to local building codes; if none exist, install the appliance according to the National Fuel Gas Code ANSI Z223.1/NFPA 54.
- An external manual shut-off valve must be installed between the gas inlet and cooktop so gas to the appliance can be turned on/off.
- The cooktop comes with its own regulator, which must be installed in the gas line from the cooktop gas inlet to the gas shut-off valve. Use only the regulator provided.
- Model HPCT466G has a 3/4-in. regulator approved for connection to a 1/2-in. house gas supply.
- The cooktop gas connection is on the bottom of the chassis, in the back right corner (previous graphic).

### Gas/Electrical Requirements\*

	HPCT466G/NG	HPCT466G/LP
Gas type	Natural	Liquid propane
Manifold pressure	4" water column	10" water column
Min. gas-supply pressure	5" water column**	11" water column**
Max. gas-supply pressure	1/2 psi	1/2 psi
Total connected load	0.25 Amp. (0.03 kW)	0.25 Amp. (0.03 kW)
Circuit requirement	120 Vac, 60 Hz, 15 Amp	120 Vac, 60 Hz, 15 Amp

\*This electrical/gas data is for reference only; in case of conflict, the data on the product label takes precedence over the data in this table.

\*\*The gas-supply pressure for testing the regulator setting shall be at least 1" water column (249 Pa) above the specified manifold pressure.

# Installation Specifications

## Cabinet/Countertop Layout

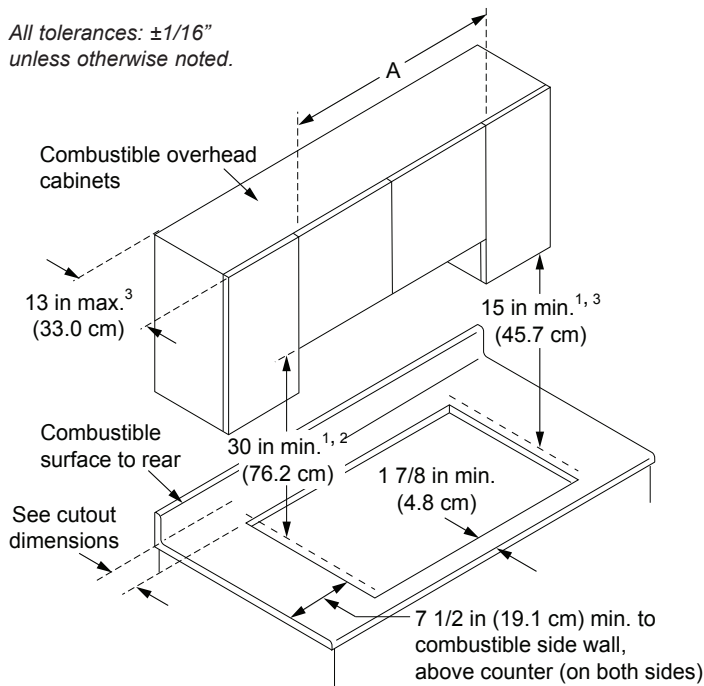
### WARNING

- To reduce the risk of burn injury, avoid installing cabinets above the cooktop.
  - Not meeting or exceeding the maximum and minimum dimensions/clearances in these instructions may result in a fire hazard.
  - Follow the countertop manufacturer's instructions concerning minimum corner radius, use of heat-reflective tape, corner reinforcement, etc.
- For best performance, the cooktop should not be placed where it can be affected by drafts (doors, windows, heating and air-conditioning outlets).
  - The cooktop is to be paired with a suitable vent hood or approved Dacor downdraft.

### CLEARANCE REQUIREMENTS

Model	A: Minimum	A: Recommended
HPCT466G	46 in (121.9 cm)	54 in (137.2 cm)

All tolerances:  $\pm 1/16"$  unless otherwise noted.



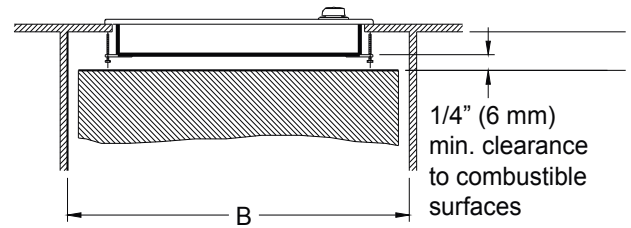
<sup>1</sup> Measured from top of cooktop grate.

<sup>2</sup> If installing with an overhead vent hood, also check hood specifications for minimum required clearances.

<sup>3</sup> Not applicable for cabinets more than a horizontal distance of 6 in. (15.2 cm) from edge of cooktop. Allow 7 1/2 in (19.1 cm) from edge of cutout.

## Under-Chassis Clearance/Allowances

Allow at least 1/4" (6 mm) between the chassis bottom and all combustible surfaces (incl. edges/corners of drawers below the cooktop).



Model	B (Min. clearance for hold-down brackets)
HPCT466G	45 1/4 in (114.64 cm)

- Placement of gas-supply piping, gas shut-off valve, and the electrical outlet must not impede cooktop installation.
- If installing an appliance below the cooktop, plan for routing of gas and power behind the appliance.
- The gas shut-off valve and regulator must remain accessible after the unit is installed.
- The 40-in. (101.6 cm) power cord must reach an electrical outlet; the outlet must be accessible after the cooktop is installed.
- The chassis bottom must be accessible for service. (Do not install a fixed shelf below the cooktop.)
- Leave space inside the cabinet for proper installation of hold-down brackets.

See the following pages for countertop cutout dimensions.

## Downdraft Compatibility

If installing the cooktop with a downdraft, use only these approved Dacor model numbers:

Model	Corresponding Approved Downdraft Models
HPCT466G	PRV46, RV46

# Installation Specifications

## Countertop Cutout Dimensions

All tolerances:  $\pm 1/16$ " unless otherwise noted.

**IMPORTANT:** Choose the correct cutout style (square or notched) on Pg. 7.

Use the table below to determine the countertop cutout type and dimensions for the installation.

1. Using the Configuration and Cutout Type columns, match your HPCT model-configuration to the cutout type.
2. Double check all dimensions against the table below and the correct diagram *before* cutting the countertop.

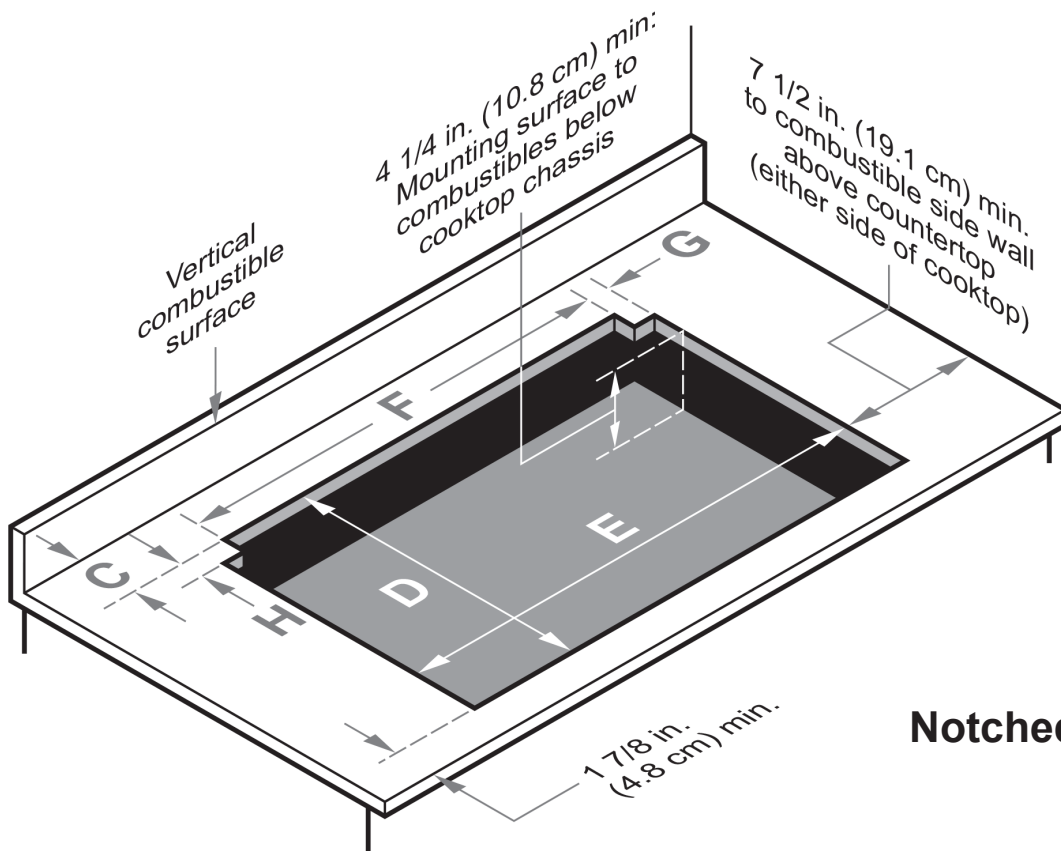
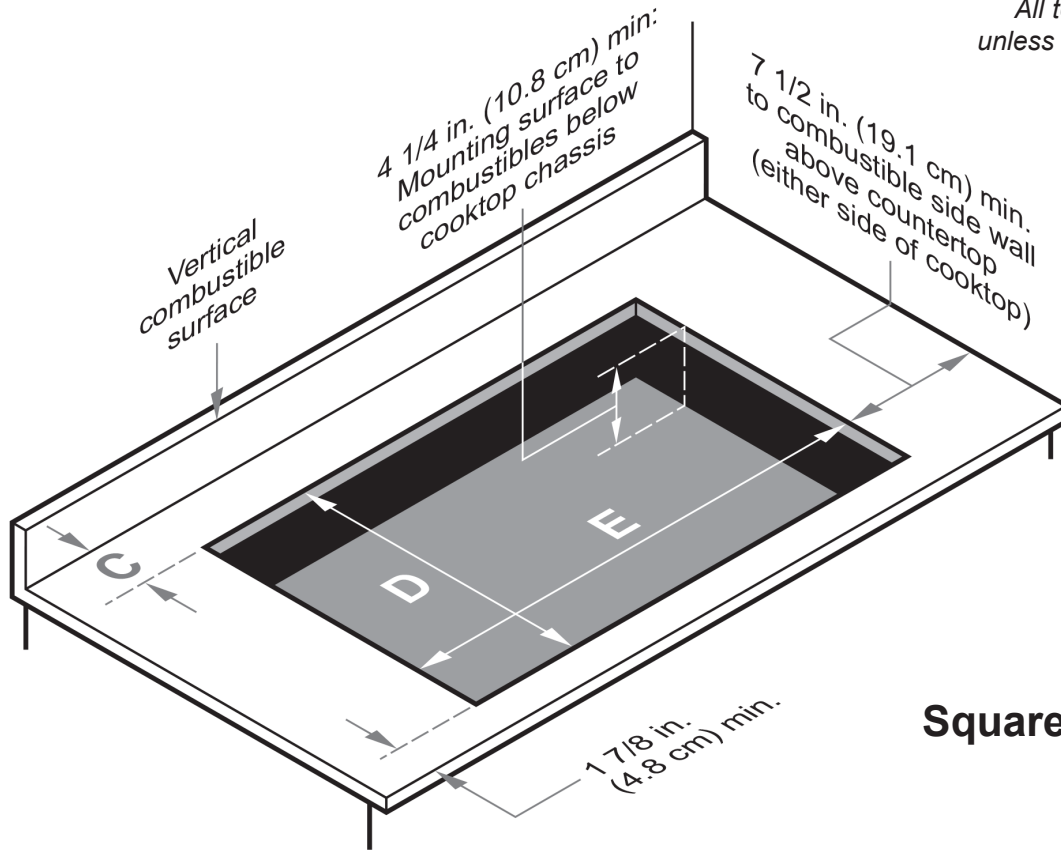
CUTOUT TYPE AND DIMENSIONS							
Configuration	Cutout Type	C Min.	D	E	F	G	H
HPCT466G (no downdraft)	Square	2 7/8 in (7.3 cm)	19 3/4 in (50.2 cm)	44 1/2 in (113.03 cm)	N/A	N/A	N/A
HPCT466G with PRV46	Notched	3/8 in (1.0 cm)	22 1/2 in (57.2 cm)*	44 1/2 in (113.03 cm)	43 1/2 in (110.5 cm)	5/8 in (1.6 cm)	2 5/8 in** (6.7 cm)
HPCT466G with RV46	Notched	5/8 in (1.6 cm)	22 1/4 in (56.5 cm)*	44 1/2 in (113.03 cm)	43 1/2 in (110.5 cm)	5/8 in (1.6 cm)	2 3/8 in** (6.0 cm)

\*Total cutout depth accommodates cooktop *and* downdraft.  
\*\***IMPORTANT:** Notch depth included in total cutout depth (D); do *NOT* add notch depth to total cutout depth (D).



# Installation Specifications

All tolerances:  $\pm 1/16$ "  
unless otherwise noted.

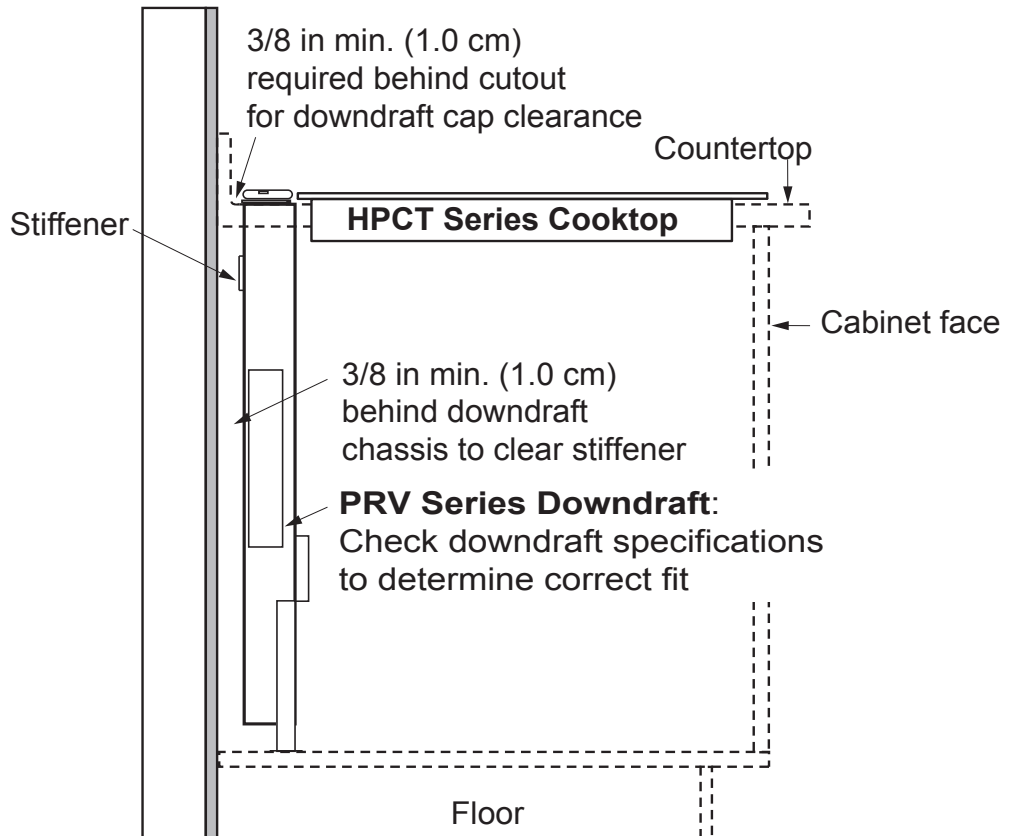


# Installation Specifications

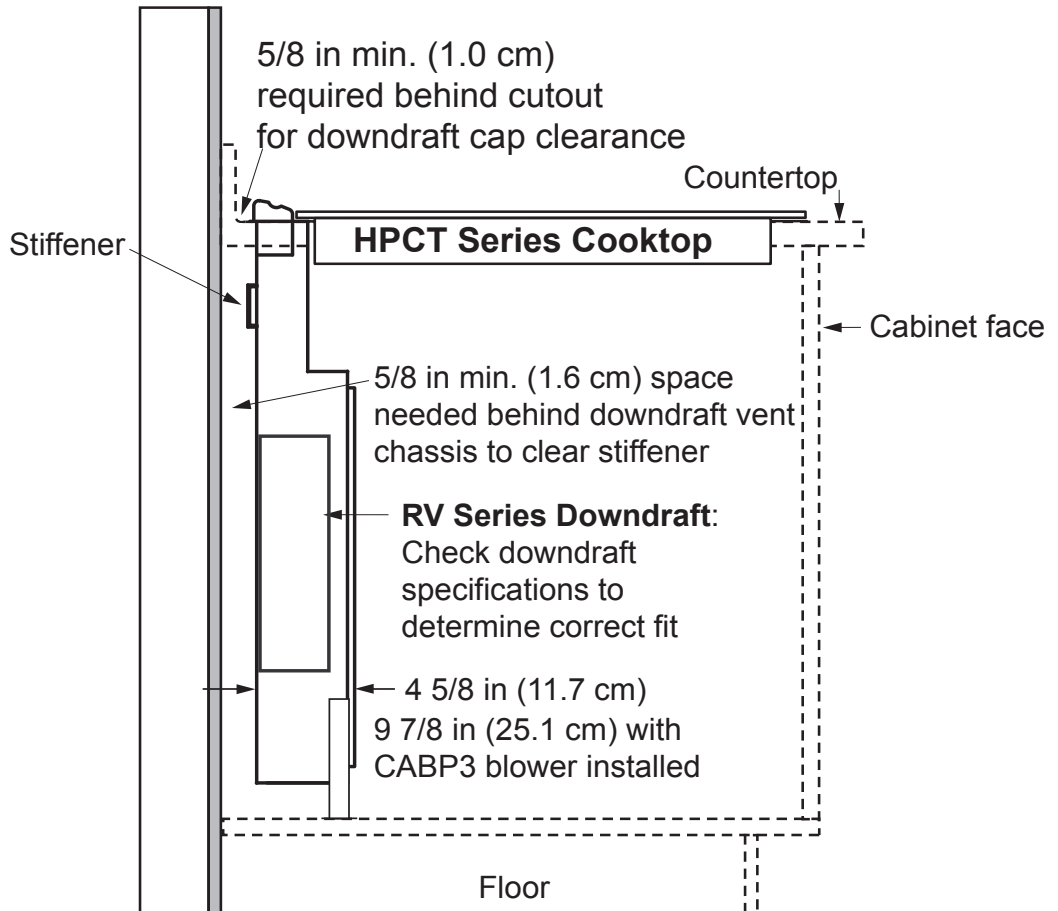
## Cutout Dimensions

All tolerances  $\pm 1/16"$ , unless otherwise noted.

### With ERV or PRV Series Downdraft (side view)



### With RV Series Downdraft (side view)



# Installation Instructions

## Verifying Package Contents

- Hold-down brackets (2)
- Gas-pressure regulator (1)
- Grates: (3)
- Burners: (6)
- Stainless-steel cleaner (1)

If parts are missing, see the **Replacement Parts** (Pg. 12) for ordering information.

## Installing the Cooktop

### **WARNING**

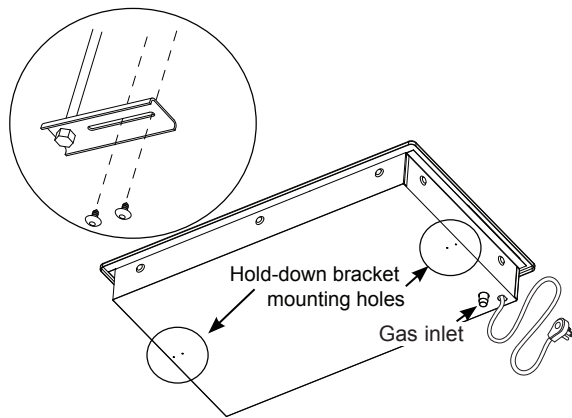
- Before proceeding, verify that the power supply meets the specifications on Page 4.
- To avoid damaging the gas-pressure regulator, install it *after* mounting the cooktop in its permanent position.

### **IMPORTANT**

- Do not overtighten the hold-down bolts; overtightening may keep the dual gas burners from operating properly.
- Do not seal the cooktop to the counter; the cooktop must be easily removable for service. The customer is financially responsible for the added task of removing sealing compounds in the course of servicing the unit.

**If a downdraft vent will be used, first install the vent according to its installation instructions.**

1. Lower the cooktop into the cutout and center it.
2. Secure the cooktop to the countertop using the hold-down brackets as shown.



**Beneath the Cooktop**

## Connecting the Gas Line

### **WARNING**

- Before connection, ensure the gas supply meets specifications (Pg. 4).
- Install the included gas regulator before you install/use the cooktop.
- Ensure the arrow on the regulator points in the direction of the gas flow (toward the cooktop).
- Do not overtighten the gas connections/fittings.
- Do not use Teflon tape or plumber's putty on flexible gas-line connections.
- Before use, test the gas lines for leaks as instructed. Do not use a flame to check for leaks.
- The gas-supply pressure to the regulator must not exceed 1/2 psi (pounds per square inch) or 3.5 kPa.
- The cooktop and shut-off valve must be disconnected from the gas-supply piping system during any pressure test over 1/2 psi (3.5 kPa).
- You must close the shut-off valve to the cooktop during any gas-supply piping-system pressure testing equal to or less than 1/2 psi (3.5 kPa).
- For LP (liquid propane) gas installations, the tank must have its own high-pressure regulator besides the pressure regulator supplied with the cooktop.

1. Attach the gas-pressure regulator (included) to the cooktop gas inlet.  
(Tight spaces) Install the regulator anywhere between the cooktop and gas-supply/shut-off valve.  
To minimize gas-pressure loss, attach the regulator as close to the cooktop as possible.  
Use a minimum 1/2" flexible gas line (not included) to connect the regulator to the gas-supply/shut-off valve.
2. Check for gas leaks:
  - a. Turn OFF all cooktop control valves.
  - b. With a soap-water solution or gas-leak detector, check all lines/connections for leaks. (Ensure the gas-supply/shut-off valve is ON.)
  - c. Turn the gas supply/shut-off valve OFF.

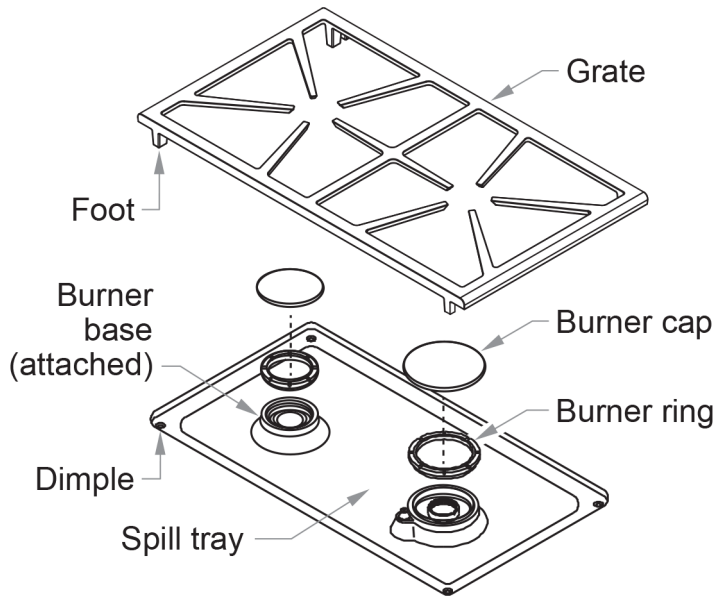
# Installation Instructions

## Installing the Burner Assemblies

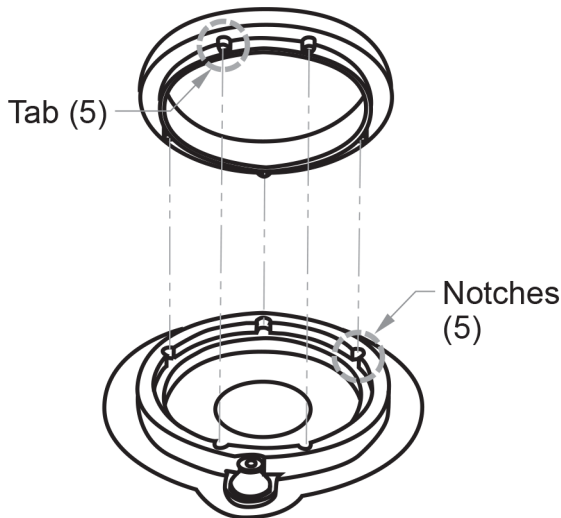
### **WARNING**

- Never use the cooktop if any burner parts are removed.
- The burners' air-mixture settings.

1. Remove the burner heads, burner rings, burner caps, and grates from their shipping packages.



2. Install the burners as shown. (Twist each piece back and forth slightly until it drops fully into place; the burners will not operate properly unless each piece is properly seated.)



3. Gently seat each grate's rubber feet in their dimples on the spill tray (graphic, Step 1).

## Verifying the Correct Setup

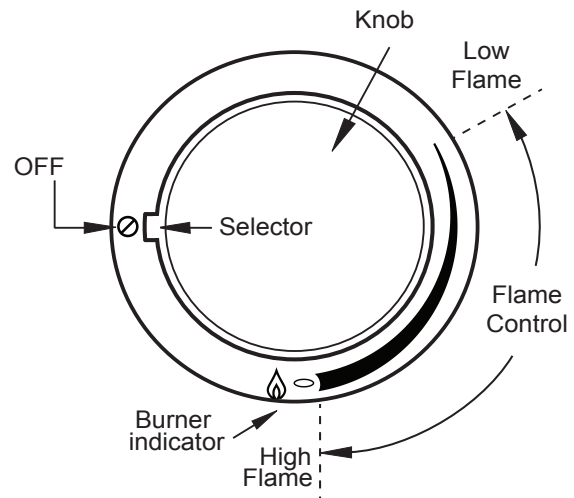
### **WARNING**

- Before proceeding, ensure power to the electrical outlet is turned off at the circuit-breaker panel or fuse box and the gas is turned off at the gas-supply valve.
- The cooktop must be properly grounded at all times when electrical power is applied.
- Before using the cooktop, carefully read the accompanying User Manual.

## Running the Ignition Test

This test verifies the proper function of each burner and its corresponding control knob.

1. Ensure all cooktop burner controls are turned **OFF**, and plug in the cooktop power cord.



2. Turn power on at the outlet, circuit breaker, or fuse box.
3. Press down on a burner control knob, and turn it slowly counterclockwise to the **HIGH** flame mark.  
*A rapid clicking sound indicates the burner is trying to ignite. (Ignition may take 4-5 seconds; the clicking ends when the burner ignites.)*

### **WARNING**

If the burner does not ignite within 5 seconds, turn off the knob, and wait at least 5 minutes for any gas to dissipate, then repeat the test.

4. Verify that the correct burner igniter sparks, then turn the knob clockwise **OFF**.
5. Repeat Steps 4-5 for the remaining knobs.
6. If all knobs function properly, turn on the gas-supply valve. If not, review **Troubleshooting** (next page).
7. When the burner lights, turn the control knob from **HIGH** to **LOW** to adjust the flame height.

# Installation Instructions

## Proper Flame Appearance

- When the unit is installed correctly, the flame burns steadily and has a sharp, blue inner cone, the length of which varies with the burner size.



- The flame will be reduced by the Smart Flame™ feature under the grate fingers to increase grate life.

## Troubleshooting—If a Burner Does Not Function Properly:

- Verify that power and gas are supplied to the cooktop.
- Verify that the cooktop is plugged in and power is turned on at the circuit breaker or fuse box.
- Verify that the burners are properly seated.
- If the burner continues to spark after ignition stops, have a licensed electrician check the electrical outlet for proper grounding or reversed polarity.
- Re-perform **Running the Ignition Test** (previous page).
- If the appliance still does not work, contact Dacor Customer Assurance: 833-35-ELITE (853-353-5483).

**Do not attempt to repair the appliance yourself.** When you call, have the model *and* serial numbers available. (See the inside cover of this manual for the location of these numbers.)

**Dacor shall not pay to correct problems caused by a faulty installation.**

## Installation Checklist

### **WARNING**

- The installer should complete this checklist to ensure safe, thorough installation
  - The homeowner is responsible for the cooktop's proper installation, the importance of which cannot be overstated.
- The cooktop's electrical outlet is installed as specified in this guide and according to applicable electrical codes (Pg. 4).
  - Gas service to the cooktop is installed as specified in this guide and according to applicable electrical codes (Pg. 4).
  - Gas-supply-inlet pressure was measured and falls within the maximums specified in this guide (Pg. 4).
  - The provided hold-down brackets secure the cooktop (Pg. 9).
  - The installer connected the cooktop to the gas supply as instructed in this guide and according to applicable codes, and verified the gas supply has no leaks (Pg. 9).
  - Burners and grates are properly installed as specified in this guide (Pg. 10).
  - Proper cooktop function was verified.
  - The warranty was activated (either online or by filling out and mailing the warranty card).

# Replacement Parts

## Ordering Parts

Replacement parts can be easily obtained by contacting Dacor Customer Assurance:

Phone: 833-35-ELITE (833-353-5483) USA, Canada  
 Mon – Fri, 5:00 a.m. to 5:00 p.m. Pacific Time

All Models	
Part Name	Part #
Hold-down brackets w/screws (2 sets)	82540
Stainless steel cleaner (stainless steel only)	108850

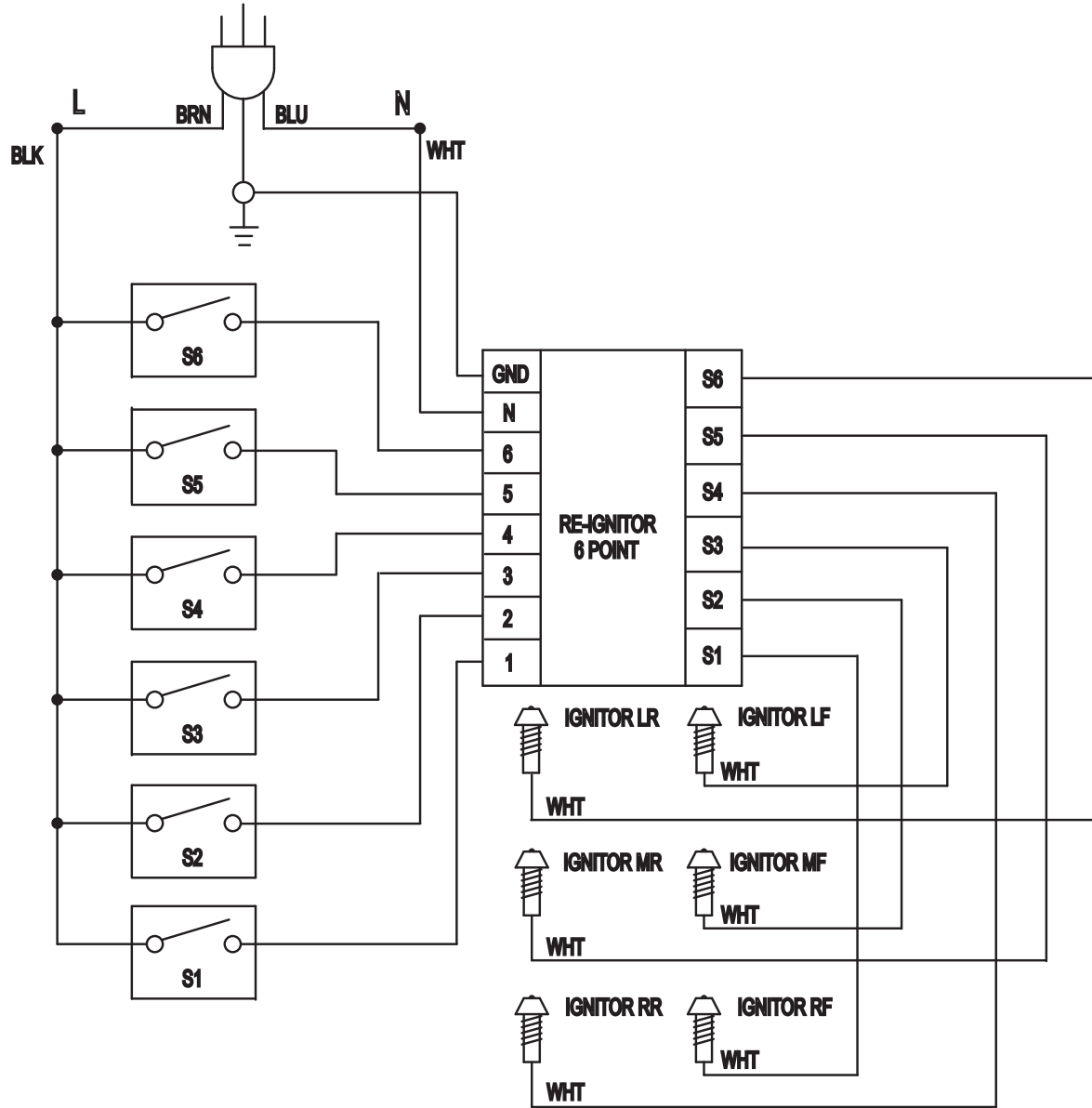
HPCT466GS/GB		
Part Name	Location/Type	Part #
Regulator	Natural gas	62320
	Liquid propane	62434
Grate	Outer	108852
	Center	109052
Burner cap	Left/right front	72435SB
	Left/right rear, center front	86524SB
	Center rear	86523SB
Burner ring	Left/right front	86918
	Left/right rear, center front	86408
	Center rear	86407

# Wiring Diagram

120V, 60Hz  
POWER SUPPLY  
AFTER SERVICING  
VERIFY PROPER OPERATION

## WIRING DIAGRAM HPCT466G

CAUTION: LABEL ALL WIRES PRIOR TO DISCONNECTION  
WHEN SERVICING CONTROLS. WIRING ERRORS CAN  
CAUSE IMPROPER AND DANGEROUS OPERATION.



***dacor***

LET THE SHOW BEGIN