



30" PRO WARMING DRAWER

HWD30PS | HERITAGE COLLECTION



AVAILABLE MODELS

HWD30PS 30" Pro Warming Drawer, Silver Stainless

GENERAL PROPERTIES

FINISH	SILVER STAINLESS STEEL
--------	------------------------

TECHNICAL INFORMATION

ELECTRICAL REQUIREMENTS	120V/60HZ
TOTAL CONNECTED LOAD	120V/60HZ/15A
TOTAL AMPS	4 AMPS
UTILITY LOCATIONS	RIGHT REAR ADJACENT CABINET OR BELOW INSTALLATION AREA

PRODUCT DIMENSIONS

APPLIANCE DIMENSIONS (W X H X D) (IN.)	30" X 10 1/8" X 24 29/64"
CUT OUT DIMENSIONS (W X D) (IN.)	28 1/2" X 24" DEPTH MINIMUM
DRAWER CAPACITY	1.73 CU. FT.



Electronic Control Panel

FEATURES & BENEFITS

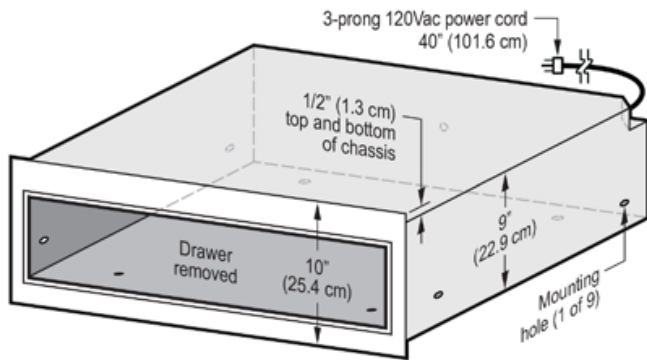
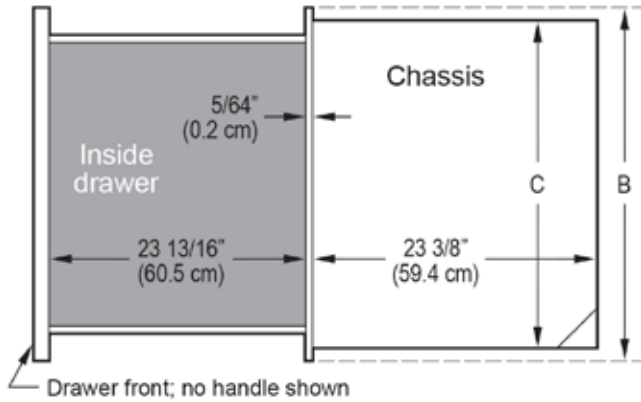
- Electronic Control Panel.
- Four Temperature Levels—Proof, Low, Medium and High (100-200°). Temperature will automatically set to the last temperature setting used when the drawer is turned on.
- Four Timer Settings—1, 2, 3 & 4 hours plus an infinite time mode which keeps the warming drawer on until you turn it off.
- The Infinite mode is very useful when you need the warming drawer on for extended periods of time like during parties and events or for use during the Sabbath.
- Blue LED Indicator lights.
- Large Capacity.
- 50 pound weight limit.
- Quick to heat with 500 watt heating element.
- Approved for installation under Dacor wall ovens, microwaves, cooktops and in under counter applications.

dacor

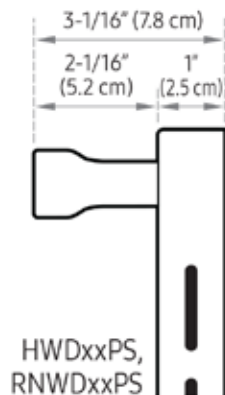
30" PRO WARMING DRAWER

UNITS DIMENSIONS

MODEL	A Drawer Face Width	B Chassis Face Width	C Chassis Width
HWD30PS	30" (76.2 CM)	29 5/8" (75.2 CM)	28 1/4" (71.8 CM)



HANDLE DIMENSIONS



CUTOUT DIMENSIONS

MODEL	A	B	C	D	CUT OUT MIN.
HWD30PS	28 1/2"	30 1/4"	9 1/8"	1 1/4"	24"

CUTOUT DIMENSIONS

