



## 24-INCH CONVECTION MICROWAVE

DCM24S | HERITAGE COLLECTION



Model DCM24S is shown above with an ADCMTK301

### GENERAL PROPERTIES

FINISH	STAINLESS STEEL
--------	-----------------

### OPTIONAL ACCESSORIES

27" MICROWAVE TRIM KIT	ADCMTK271S
30" MICROWAVE TRIM KIT	ADCMTK301S

### BASIC DETAILS

WATTS	900
CAPACITY	1.5 CUBIC FT
RACKS	MULTIPLE
TURNTABLE	15 3/8"
INTERIOR	STAINLESS STEEL

### TECHNICAL INFORMATION

ELECTRICAL REQUIREMENTS	120V/60HZ
TOTAL CONNECTED LOAD	13 AMPS @ 120VAC, 60HZ
TOTAL AMPS	15 AMPS, DEDICATED CIRCUIT
ELECTRICAL CONNECTION	3-PRONG OUTLET
UTILITY LOCATIONS	LEFT LOWER REAR OF CABINET
SHIPPING WEIGHT	60 LBS

### PRODUCT DIMENSIONS

APPLIANCE DIMENSIONS (H X W X D) (IN.)	14 7/8" X 24" X 19 1/8"
CUT OUT DIMENSIONS (H X W X D) (IN.)	19 1/8" X SEE REVERSE X 24" MINIMUM CABINET DEPTH

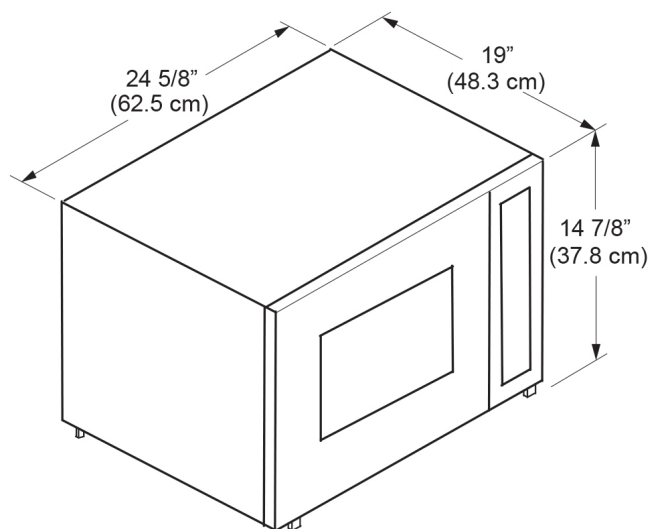
## FEATURES & BENEFITS

- Four Way Cooking System gives the user ultimate flexibility: Convection Cooking, Microwave Cooking, Combo Speed Cooking for Meats and Combo Speed Cooking for Baked Goods.
- Auto Defrost promptly thaws meat and poultry for quicker cooking results.
- Electronic Touch Control Panel:
- One line Display Screen displays time, recipes and directions for cooking in your convection microwave.
- Help Guide—useful instructions for using functions of unit.
- Auto Functions—Sensor Reheat, Easy Minute, Popcorn, and Auto Defrost.
- Sensor Cook—Eight different cooking categories—automatically detects when your food is perfectly cooked.
- Convection Auto Broil—Choose from Hamburgers, Chicken Pieces, Steaks or Fish and the oven tells you which rack to use. Simply enter weight & quantity information and the oven will broil at the correct temperature and time.
- Convection Auto Roast—Select rack position, enter weight and your Chicken, Turkey, Turkey Breast, or Pork will be prepared to perfection.
- Convection Auto Bake—Select your food type—bundt cake, cookies, muffins, or french fries and the oven will recommend the proper pan and set the bake time.
- Mix / Speed Cook Modes:
- Low Mix/Bake uses 350° of convection heat and 10% microwave power to bake foods quickly but also brown them for foods with 30 minutes or longer cooking time.
- High Mix/Roast uses 300° of convection heat and 30% microwave power to roast meats perfectly giving you seared and juicy meat every time.
- Broil mode will automatically preheat the oven and broil your meats to perfection at a set 450°.
- Slow Cook mode is preset for 300° (adjustable) and cooks for 4 hours. This mode is great for slow cooking items like beans & braised meats.w

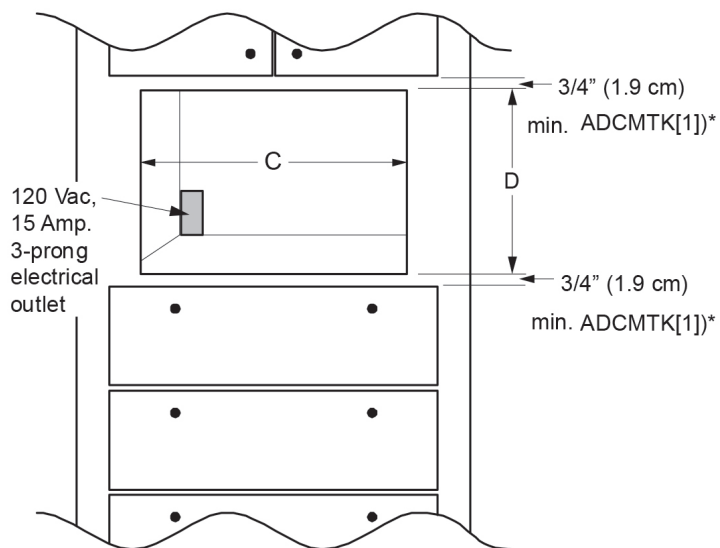
# dacor 24" CONVECTION MICROWAVE

## OVERALL PRODUCT DIMENSIONS

24"

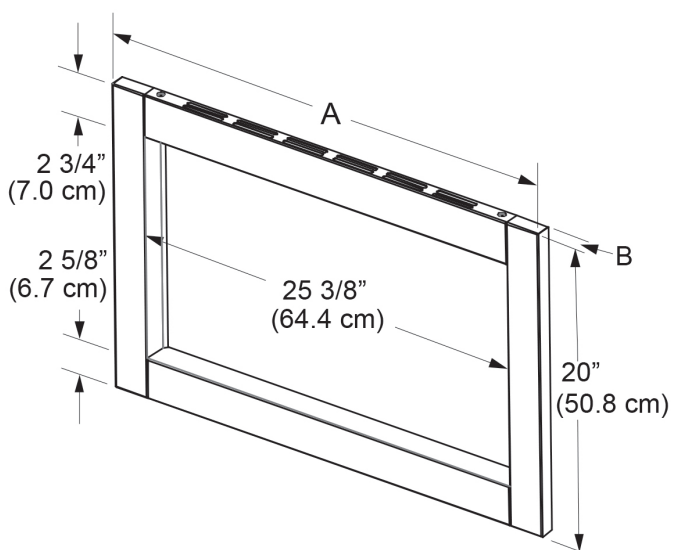
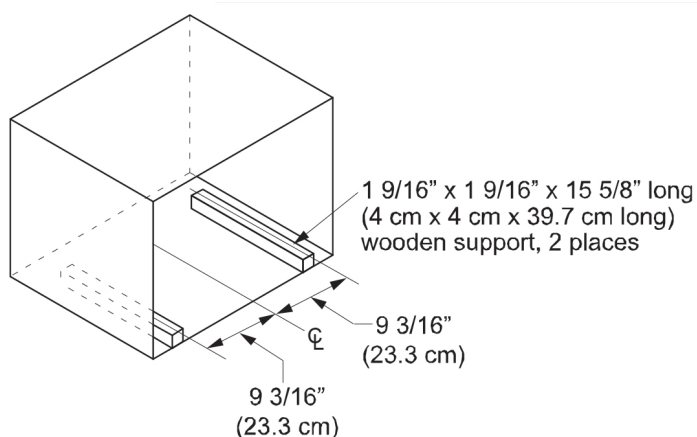


## TRIM KIT DIMENSIONS



MODEL	TRIM KIT OVERALL WIDTH	TRIM DEPTH	CUTOUT WIDTH	CUTOUT HEIGHT	TOP OVERLAY	BOTTOM OVERLAY
ADCMTK271S	26 7/8"	1"	25 3/4"	19 1/8" +/-	1/2"	1/2"
ADCMTK301S	29 7/8"	1"	28 1/4"	19 1/8" +/-	1/2"	1/2"

## WOODEN SUPPORT PLACEMENT - REQUIRED FOR BUILT IN INSTALLATIONS



\* ALL SPECIFICATIONS AND INFORMATION SUBJECT TO CHANGE. PLEASE VISIT WWW.DACOR.COM FOR THE MOST CURRENT PRODUCT DETAILS AND INSTALL INFORMATION