



Installation Instructions

Modernist Microwave In-A-Drawer™

DMR24M977WM, DMR24M977WM
DMR30M977WM, DMR30M977WM

Contents

Before You Begin...	3
Important	3
Customer-Service Information	4
If You Need Help...	4
Model and Serial Numbers	4
Before You Call for Service...	4
Important Safety Precautions	5
Related Equipment Safety	5
Grounding the Microwave In-A-Drawer™	5
Installation Requirements	7
Checklist	7
Design Specifications	8
Clearances and Dimensions	8
Installation	11
Preparing to Install the Microwave In-A-Drawer™	11
Provided Material	11
Unpacking the Microwave In-A-Drawer™	11
About the Electrical Outlet	12
Installing the Anti-Tip Block	12
Installing the Microwave In-A-Drawer™	12

Before You Begin...

Important

Installer

- For safety and to minimize problems, read this manual thoroughly before starting the installation.
- The installer shall ensure proper installation; the warranty does NOT cover product failure due to improper installation.
- Remove all packing material before connecting the electrical supply.
- Observe all local codes in installing the oven.
- Leave this manual with the owner.
- Write the oven's model/serial numbers in this manual for service/maintenance reference.

Owner

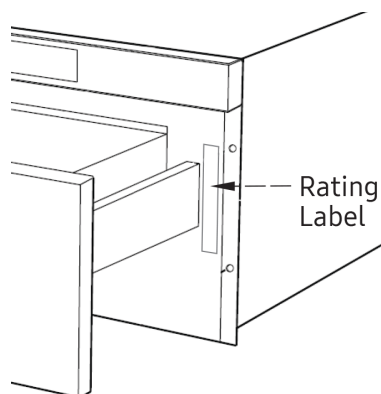
- Keep this manual for personal reference and for that of inspectors, service personnel, etc.

Customer-Service Information

If You Need Help...

If you have questions or issues with installation, contact your Dacor® dealer or the Dacor customer-service team. If your Dacor microwave is under warranty, call Dacor Customer Assurance. Have the microwave's model/serial numbers available when you call.

These numbers are on the rating label, which is on the right-hand side of the chassis face. To view the label: On the control panel, press **Open**. The drawer opens to reveal the label.



Dacor Customer Assurance

Phone: 800-793-0093 x2813 (USA, Canada)
Mon – Fri, 5:00 a.m. – 5:00 p.m. pacific time

Website

www.dacor.com/customer-care/contact-us

All specifications may change without notice. Dacor assumes no liability for such changes.

© 2017 Dacor. All rights reserved.

Before You Call For Service...

Read the **BEFORE YOU CALL** and operating instruction sections in the User Manual. It may save you time and money. The list includes common issues that are not caused by defective workmanship or material.

See the warranty information in your Use Manual for Dacor's toll-free service number and address. Use the contact information if need to speak to a Dacor representative about warranty and mechanical issues and to order parts.

Important Safety Precautions

Related Equipment Safety

Remove all tape and packaging before using the microwave. Dispose of the packaging after unpacking the oven. Do not let children play with the packing material. Do not modify the oven (e.g., remove panels, wire covers, screws).

DANGER—ELECTRIC-SHOCK HAZARD

- To avoid risk of electrical shock, personal injury, or death; verify your appliance is grounded according to local codes, or in their absence, with the National Electrical Code (NEC). ANSI/NFPA 70-latest edition.
- To avoid severe personal injury and possibly death, the electricity must be off while the electrical connections are made.

WARNING—MOVING HAZARD

To avoid risk of severe personal injury; this appliance requires two or more people while handling and moving. Use of appliance moving devices is recommended.

WARNING

Never let anyone climb, sit, stand, hang, or put any kind of weight on the open oven drawer. Such activity could result in property damage and personal injury.

Grounding the Microwave In-A-Drawer™

The microwave has a 3-prong grounding plug that must be plugged into a grounded outlet. If only a 2-prong wall outlet is available, the customer shall have it replaced with a properly grounded 3-prong outlet.

- Do not remove the third (ground) prong from the power cord.
- Do not use an adapter plug.
- Do not use an extension cord. (If the power cord is too short, have a qualified electrician or serviceman install an outlet near the appliance.)
- Do not use a Ground Fault Circuit Interrupter.

Important Safety Precautions

Follow these precautions with exactness to avoid fire or electrical shock that may cause property damage, personal injury, or death.

WARNING

- Follow the information in this manual exactly to avoid fire or electrical shock that may cause property damage, personal injury, or death.
- Ensure the microwave is properly installed and grounded by a qualified technician.
- New branch-circuit installations (1996 NEC), mobile homes, RVs, or installations where local codes prohibit grounding through the neutral conductor, require a 4-wire branch-circuit connection.
- Improper connection of aluminum house wiring to copper leads can cause an electrical hazard or fire. Use only connectors designed for joining copper to aluminum, and follow the manufacturer's recommended procedure closely.
- Electricity must be off while the electrical connections are made. Failure to do so can result in severe personal injury or death.

Installation Requirements

Checklist

Use this checklist to ensure you complete the installation process properly and verify the oven's proper function:

- Before installing the oven, verify the cabinet dimensions are correct and the required electrical connections are present.
- See this manual's content regarding Safety, Cabinet Dimensions, Removing Packaging, Electrical Installation, Testing the Installation and Customer Service.
- Team-lift the unit directly into the cabinet cutout.
- Ensure the electrical conduit reaches to the connection point properly.
- Slide the unit fully into place, while routing the electrical conduit correctly.
- With a Phillips screwdriver and supplied screws, anchor the oven to the cabinetry opening.
- Consult the complete installation instructions, and follow the other procedures listed, including verifying proper oven function.
- All product literature and accessories are supplied (may be wrapped or boxed) with the oven.

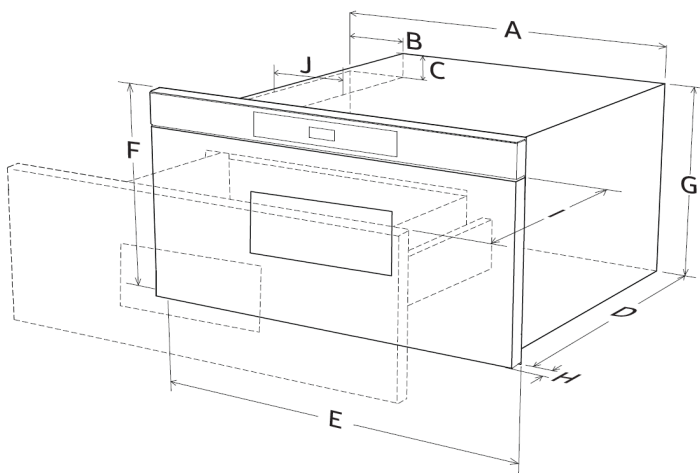
Design Specifications

Clearances and Dimensions

- The dimensions shown in Figures 2, 4, and 5 are minimums and must be used.
- The contact surface must be of solid, level, plywood construction strong enough to support the oven's weight (about 100 lbs).
- Locate the unit within easy access of the proper electrical outlet, or locate a new outlet. (See **About the Electrical Outlet**, pg. 12.)
- The oven can be built into a cabinet or wall by itself or under any gas or electric wall oven.
- The clearance between the microwave drawer and a wall oven must be at least 2 in.
- The microwave drawer easily accommodates a 9" x 13" dish or bag of microwave popcorn.
- The microwave can be flush-mounted. (See the instructions included with the flush-mount deflector vent.)

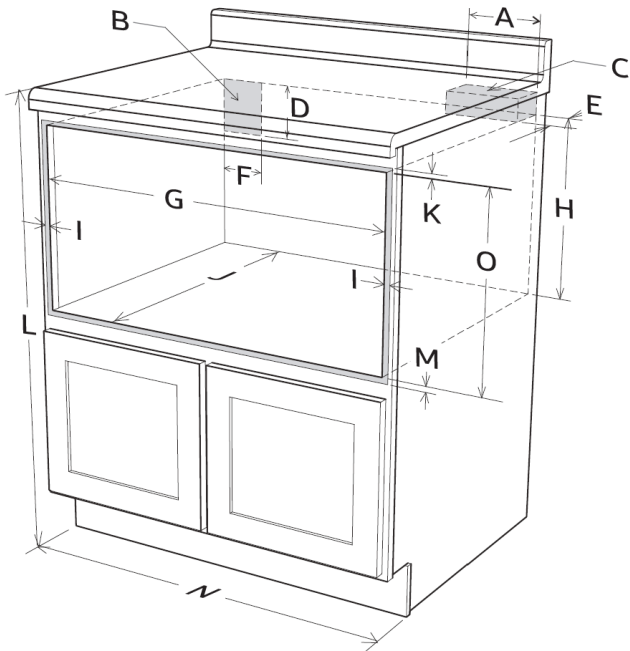
24" Drawer Dimensions

Figures 1 and 2 contain appliance dimensions that will help plan the drawer's location.



Dim.	Inches	Description
A	21 5/8	Overall chassis width
B	4 11/16	Width of chassis notch
C	1 3/4	Height of chassis notch
D	21 7/8	Chassis depth
E	23 7/8	Microwave face width
F	15 7/8	Microwave face height
G	14 19/32	Chassis height
H	1 9/64	Door face thickness
I	15	Automatic drawer-open depth
J	4	Chassis notch width

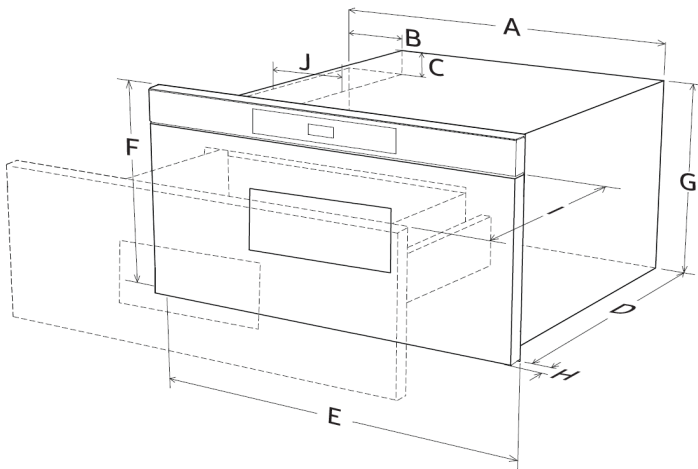
24" Drawer Dimensions, cont.



Dim.	Inches	Description
A	6	Anti-tip block length
B	—	Electrical outlet location
C	—	Anti-tip block
D	5	Outlet location height
E	3 1/2	Anti-tip block width
F	4	Outlet location width
G	22 1/8	Cutout width
H	14 13/16	Cutout floor to block bottom
I	7/8	Minimum overlap allowance (sides)
J	23 1/2	Minimum cutout depth
K	3/16	Minimum overlap allowance (top)
L	36	Nominal countertop height
M	1/8	Minimum overlap allowance (bottom)
N	24	Minimum cabinet width
O	15 9/16	Cutout height

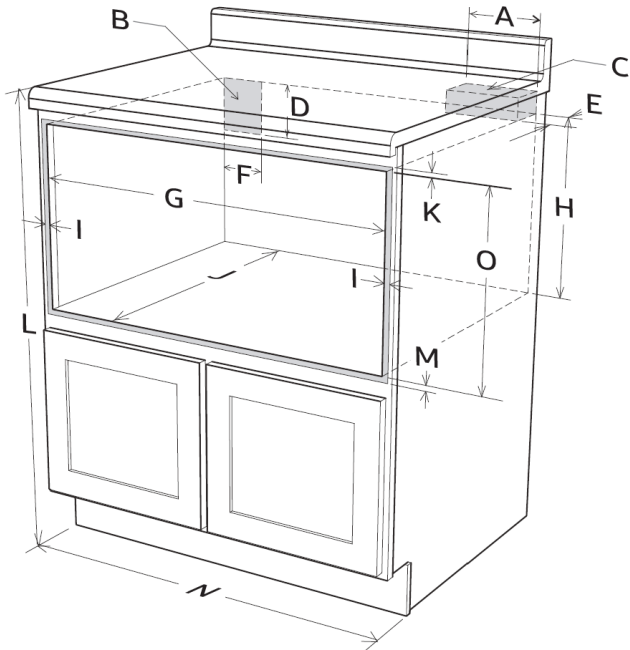
30" Drawer Dimensions

Figures 3 and 4 contain appliance dimensions that will help plan the drawer's location.

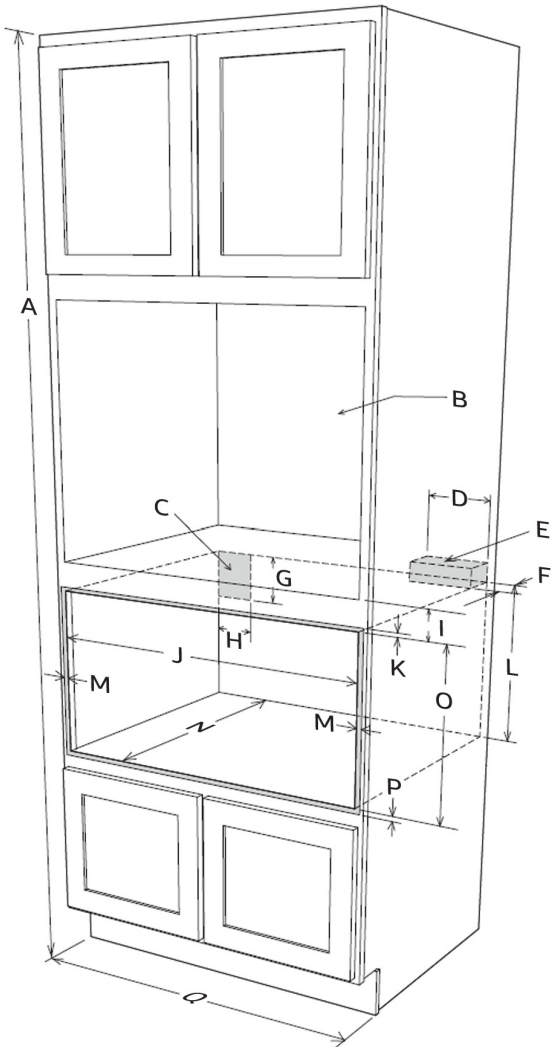


Dim.	Inches	Description
A	21 5/8	Overall chassis width
B	4 11/16	Width of chassis notch
C	1 3/4	Height of chassis notch
D	21 7/8	Chassis depth
E	30	Microwave face width
F	15 7/8	Microwave face height
G	14 19/32	Chassis height
H	1 9/64	Door face thickness
I	15	Automatic drawer-open depth
J	4	Chassis notch width

30" Drawer Dimensions, cont.



Dim.	Inches	Description
A	6	Anti-tip block length
B	—	Electrical outlet location
C	—	Anti-tip block
D	5	Outlet location height
E	3 1/2	Anti-tip block width
F	4	Outlet location width
G	22 1/8 min. 28 7/16 max.	Cutout-opening width range
H	14 13/16	Cutout floor to block bottom
I	23/32	Minimum overlap allowance (sides)
J	23 1/2	Minimum cutout depth
K	3/16	Minimum overlap allowance (top)
L	36	Nominal countertop height
M	1/8	Minimum overlap allowance (bottom)
N	30	Minimum cabinet width
O	15 9/16	Cutout height



Dim.	Inches	Description
A	84	Nominal wall-cabinet height
B	—	Optional wall-oven cutout
C	—	Electrical outlet location
D	6	Anti-tip-block length
E	—	Anti-tip block
F	3 1/2	Anti-tip-block width
G	5	Outlet location height
H	4	Outlet location width
I	2	Min. distance between cutout openings
J	22 1/8 min. 28 7/16 max.	Cutout-opening width range
K	3/16	Minimum overlap allowance (top)
L	14 13/16	Cutout floor to block bottom
M	23/32	Minimum overlap allowance (sides)
N	23 1/2	Minimum cutout depth
O	15 9/16	Cutout height
P	1/8	Minimum overlap allowance (bottom)
Q	30	Minimum cabinet width

Installation

Preparing to Install the Microwave In-A-Drawer™

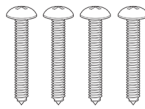


Phillips Screwdriver



Drill

Provided Material

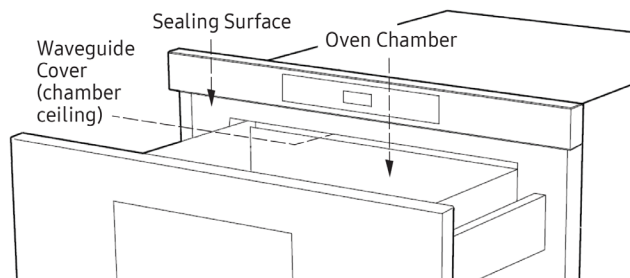


Panhead Screws (4)



Literature Kit

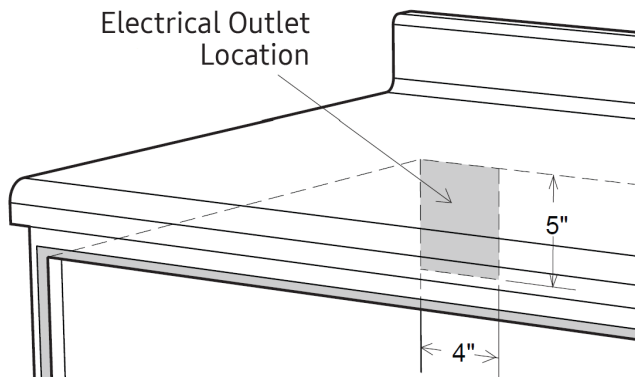
Unpacking the Microwave In-A-Drawer™



- Remove packing material from the drawer (Do **not** remove the waveguide cover, which is on the oven-chamber ceiling.)
- Remove the “features” sticker.
- Check for damage (e.g., loose/bent/mis-aligned components, damaged drawer seal, dented surfaces).
- Report damage to your dealer or a Dacor Authorized Servicer. Do not install/operate a damaged appliance.

Installation

About the Electrical Outlet

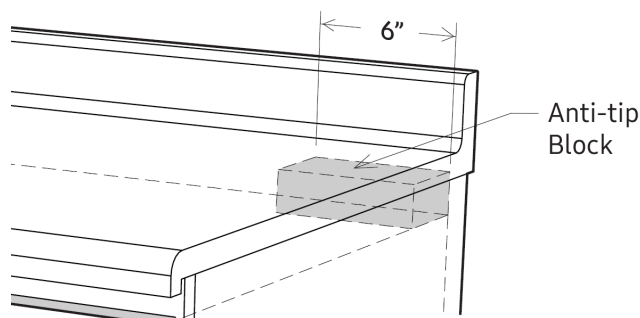


A 120 volt 60 Hz, AC only, 15 amp. or more protected electrical supply is required. It is preferable that the oven be on its own circuit.

The drawer has a 3-prong grounding plug that must be plugged into a properly installed and grounded outlet. If only a 2-prong outlet is available, have a qualified electrician install a proper outlet.

NOTE: Address any questions to a qualified electrician or service technician.

Installing the Anti-Tip Block

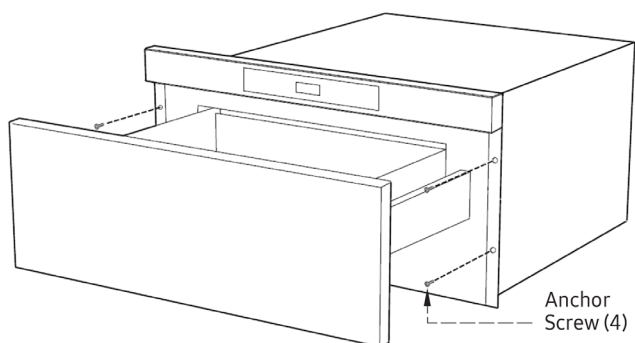


This block keeps the oven from tipping forward and possibly spilling hot foods and liquids. It must be installed so its bottom is 14 13/16" above the cutout floor.

The installer shall provide the anti-tip block. (See pgs. 9 and 10 for specific placements.)

If the drawer is relocated, relocate the block with it.

Installing the Microwave In-A-Drawer™



1. Place the drawer in front of its cutout.
2. Plug in the power cord, and slide the unit into the cutout until the mounting flange meets the cabinet face. (Do not pinch the cord between the chassis and the wall.)
3. On the control panel, press **Open**. The drawer opens, exposing the four anchor-screw holes. (See the graphic at left.)
4. Using the 4 holes as a template, predrill the cabinet with a 1/16" bit, then anchor the drawer with the 4 provided screws.

dacor[®]

Instructions D'installation

Modernist Micro-Onde Tiroir[™]

DMR24M977WM, DMR24M977WM
DMR30M977WM, DMR30M977WM

Table des Matières

Avant de Commencer...	3
Important	3
Information Pour le Service à la Clientèle	4
Pour Obtenir de L'aide...	4
Nombre de modèles et de séries	4
Before You Call for Service...	4
Important Précautions de Sécurité	5
Related Equipment Safety	5
Grounding the Microwave In-A-Drawer™	5
Conditions D'installation	7
Liste de Contrôle	7
Les Spécifications de Conception	8
Clearances and Dimensions	8
Installation	11
Preparing to Install the Microwave In-A-Drawer™	11
Provided Material	11
Unpacking the Microwave In-A-Drawer™	11
About the Electrical Outlet	12
Installing the Anti-Tip Block	12
Installing the Microwave In-A-Drawer™	12

Before You Begin...

Important

Installer

- For safety and to minimize problems, read this manual thoroughly before starting the installation.
- The installer shall ensure proper installation; the warranty does NOT cover product failure due to improper installation.
- Remove all packing material before connecting the electrical supply.
- Observe all local codes in installing the oven.
- Leave this manual with the owner.
- Write the oven's model/serial numbers in this manual for service/maintenance reference.

Owner

- Keep this manual for personal reference and for that of inspectors, service personnel, etc.

Customer-Service Information

If You Need Help...

If you have questions or issues with installation, contact your Dacor® dealer or the Dacor customer-service team. If your Dacor microwave is under warranty, call Dacor Distinctive Service. Have the microwave's model/serial numbers available when you call.

Dacor Modernist Service (under-warranty repairs only)

Phone: 800-793-0093 x2822 (USA and Canada)

Mon – Fri, 6:00 a.m. – 5:00 p.m. pacific time

Dacor Customer Service

Phone: 800-793-0093 x2813 (USA and Canada)

Mon – Fri, 6:00 a.m. – 5:00 p.m. pacific time

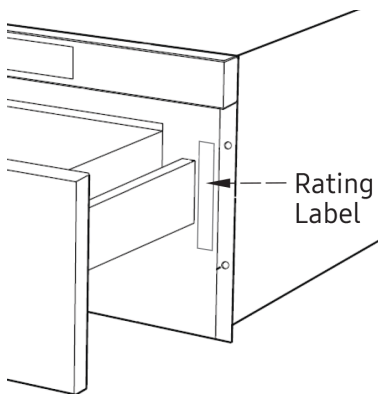
Website

www.dacor.com

All specifications may change without notice. Dacor assumes no liability for such changes.

© 2017 Dacor. All rights reserved.

Model and Serial Numbers



The model and serial numbers are on the rating label, which is on the right-hand side of the chassis face. (See the graphic at left.)

To view the label:

On the control panel, press **Open**. The drawer opens to reveal the label.

Before You Call For Service...

Read the **BEFORE YOU CALL** and operating instruction sections in your User Manual. It may save you time and money. The list includes common issues that are not caused by defective workmanship or material.

See the warranty information in your Use Manual for Dacor's toll-free service number and address. Use the contact information if need to speak to a Dacor representative about warranty and mechanical issues and to order parts.

Important Safety Precautions

Related Equipment Safety

Remove all tape and packaging before using the microwave. Dispose of the packaging after unpacking the oven. Do not let children play with the packing material. Do not modify the oven (e.g., remove panels, wire covers, screws).

DANGER—ELECTRIC-SHOCK HAZARD

- To avoid risk of electrical shock, personal injury, or death; verify your appliance is grounded according to local codes, or in their absence, with the National Electrical Code (NEC). ANSI/NFPA 70-latest edition.
- To avoid severe personal injury and possibly death, the electricity must be off while the electrical connections are made.

WARNING—MOVING HAZARD

To avoid risk of severe personal injury; this appliance requires two or more people while handling and moving. Use of appliance moving devices is recommended.

WARNING

Never let anyone climb, sit, stand, hang, or put any kind of weight on the open oven drawer. Such activity could result in property damage and personal injury.

Grounding the Microwave In-A-Drawer™

The microwave has a 3-prong grounding plug that must be plugged into a grounded outlet. If only a 2-prong wall outlet is available, the customer shall have it replaced with a properly grounded 3-prong outlet.

- Do not remove the third (ground) prong from the power cord.
- Do not use an adapter plug.
- Do not use an extension cord. (If the power cord is too short, have a qualified electrician or serviceman install an outlet near the appliance.)
- Do not use a Ground Fault Circuit Interrupter.

Important Safety Precautions

Follow these precautions with exactness to avoid fire or electrical shock that may cause property damage, personal injury, or death.

WARNING

- Follow the information in this manual exactly to avoid fire or electrical shock that may cause property damage, personal injury, or death.
- Ensure the microwave is properly installed and grounded by a qualified technician.
- New branch-circuit installations (1996 NEC), mobile homes, RVs, or installations where local codes prohibit grounding through the neutral conductor, require a 4-wire branch-circuit connection.
- Improper connection of aluminum house wiring to copper leads can cause an electrical hazard or fire. Use only connectors designed for joining copper to aluminum, and follow the manufacturer's recommended procedure closely.
- Electricity must be off while the electrical connections are made. Failure to do so can result in severe personal injury or death.

Installation Requirements

Checklist

Use this checklist to ensure you complete the installation process properly and verify the oven's proper function:

- Before installing the oven, verify the cabinet dimensions are correct and the required electrical connections are present.
- See this manual's content regarding Safety, Cabinet Dimensions, Removing Packaging, Electrical Installation, Testing the Installation and Customer Service.
- Team-lift the unit directly into the cabinet cutout.
- Ensure the electrical conduit reaches to the connection point properly.
- Slide the unit fully into place, while routing the electrical conduit correctly.
- With a Phillips screwdriver and supplied screws, anchor the oven to the cabinetry opening.
- Consult the complete installation instructions, and follow the other procedures listed, including verifying proper oven function.
- All product literature and accessories are supplied (may be wrapped or boxed) with the oven.

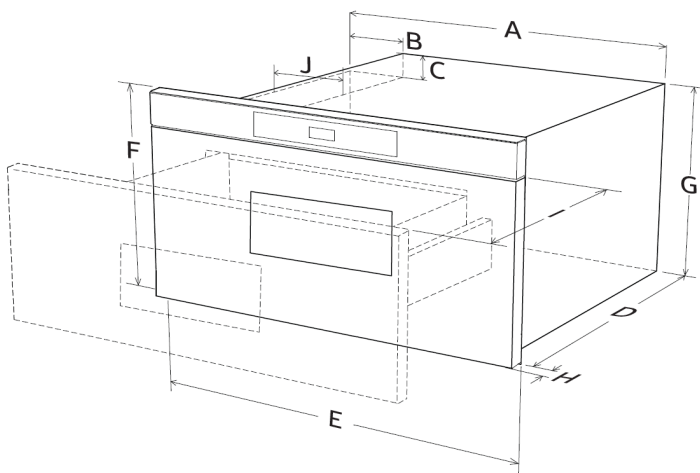
Design Specifications

Clearances and Dimensions

- The dimensions shown in Figures 2, 4, and 5 are minimums and must be used.
- The contact surface must be of solid, level, plywood construction strong enough to support the oven's weight (about 100 lbs).
- Locate the unit within easy access of the proper electrical outlet, or locate a new outlet. (See **About the Electrical Outlet**, pg. 11.)
- The oven can be built into a cabinet or wall by itself or under any gas or electric wall oven.
- The clearance between the microwave drawer and a wall oven must be at least 2 in.
- The microwave drawer easily accommodates a 9" x 13" dish or bag of microwave popcorn.
- The microwave can be flush-mounted. (See the instructions included with the flush-mount deflector vent.)

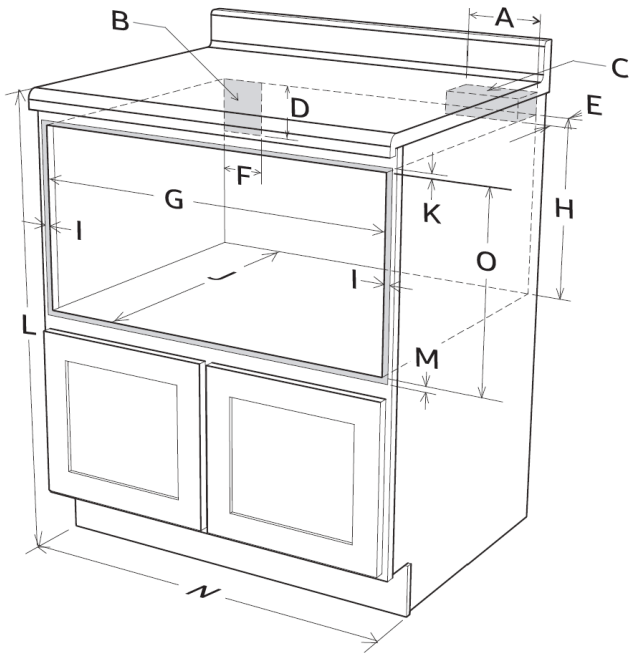
24" Drawer Dimensions

Figures 1 and 2 contain appliance dimensions that will help plan the drawer's location.



Dim.	Inches	Description
A	21 5/8	Overall chassis width
B	4 11/16	Width of chassis notch
C	1 3/4	Height of chassis notch
D	21 7/8	Chassis depth
E	23 7/8	Microwave face width
F	15 7/8	Microwave face height
G	14 19/32	Chassis height
H	1 9/64	Door face thickness
I	15	Automatic drawer-open depth
J	4	Chassis notch width

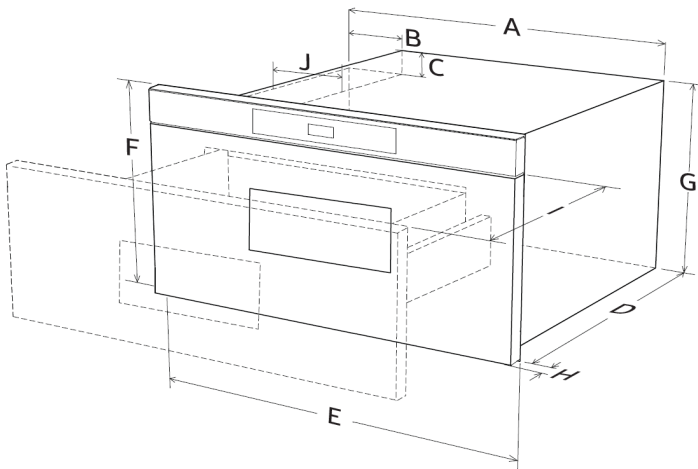
24" Drawer Dimensions, cont.



Dim.	Inches	Description
A	6	Anti-tip block length
B	—	Electrical outlet location
C	—	Anti-tip block
D	5	Outlet location height
E	3 1/2	Anti-tip block width
F	4	Outlet location width
G	22 1/8	Cutout width
H	14 13/16	Cutout floor to block bottom
I	7/8	Minimum overlap allowance (sides)
J	23 1/2	Minimum cutout depth
K	3/16	Minimum overlap allowance (top)
L	36	Nominal countertop height
M	1/8	Minimum overlap allowance (bottom)
N	24	Minimum cabinet width
O	15 9/16	Cutout height

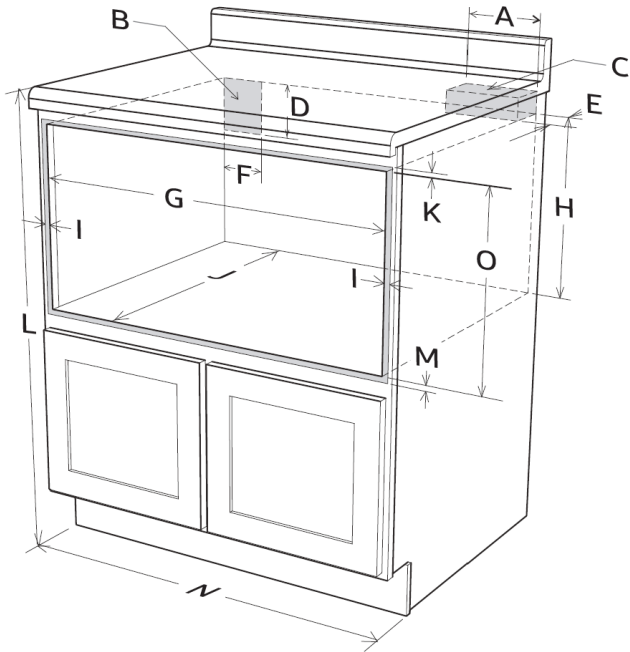
30" Drawer Dimensions

Figures 3 and 4 contain appliance dimensions that will help plan the drawer's location.

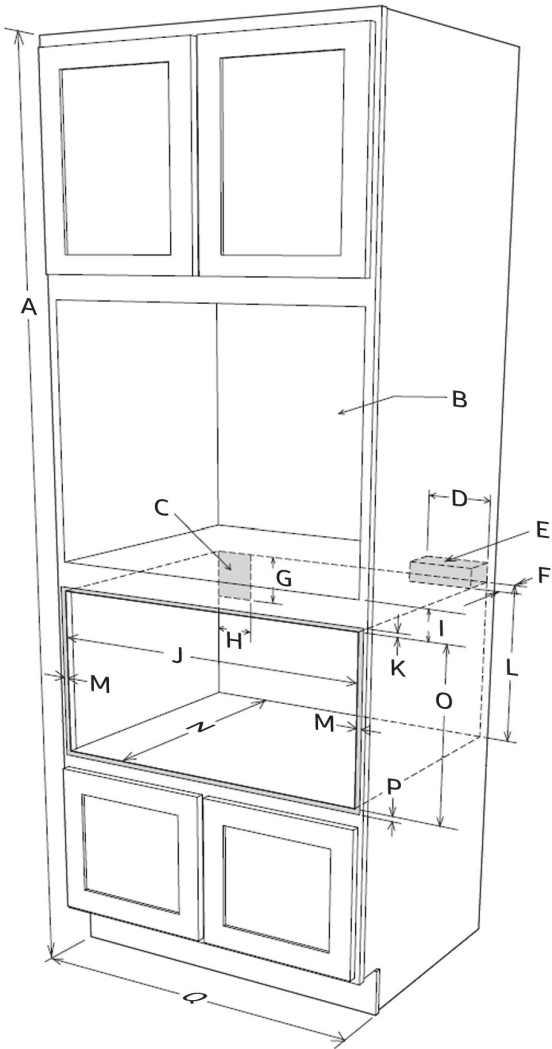


Dim.	Inches	Description
A	21 5/8	Overall chassis width
B	4 11/16	Width of chassis notch
C	1 3/4	Height of chassis notch
D	21 7/8	Chassis depth
E	30	Microwave face width
F	15 7/8	Microwave face height
G	14 19/32	Chassis height
H	1 9/64	Door face thickness
I	15	Automatic drawer-open depth
J	4	Chassis notch width

30" Drawer Dimensions, cont.



A	6	Anti-tip block length
B	—	Electrical outlet location
C	—	Anti-tip block
D	5	Outlet location height
E	3 1/2	Anti-tip block width
F	4	Outlet location width
G	22 1/8 min. 28 7/16 max.	Cutout-opening width range
H	14 13/16	Cutout floor to block bottom
I	23/32	Minimum overlap allowance (sides)
J	23 1/2	Minimum cutout depth
K	3/16	Minimum overlap allowance (top)
L	36	Nominal countertop height
M	1/8	Minimum overlap allowance (bottom)
N	30	Minimum cabinet width
O	15 9/16	Cutout height



A	84	Nominal wall-cabinet height
B	—	Optional wall-oven cutout
C	—	Electrical outlet location
D	6	Anti-tip-block length
E	—	Anti-tip block
F	3 1/2	Anti-tip-block width
G	5	Outlet location height
H	4	Outlet location width
I	2	Min. distance between cutout openings
J	22 1/8 min. 28 7/16 max.	Cutout-opening width range
K	3/16	Minimum overlap allowance (top)
L	14 13/16	Cutout floor to block bottom
M	23/32	Minimum overlap allowance (sides)
N	23 1/2	Minimum cutout depth
O	15 9/16	Cutout height
P	1/8	Minimum overlap allowance (bottom)
Q	30	Minimum cabinet width

Installation

Preparing to Install the Microwave In-A-Drawer™



Phillips Screwdriver



Drill

Provided Material

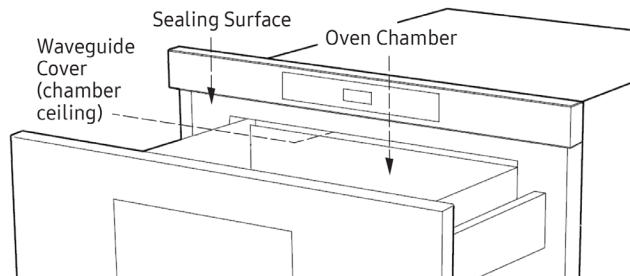


Panhead Screws (4)



Literature Kit

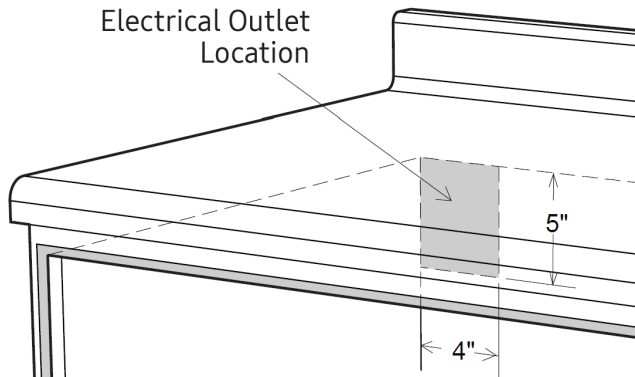
Unpacking the Microwave In-A-Drawer™



- Remove packing material from the drawer (Do **not** remove the waveguide cover, which is on the oven-chamber ceiling.)
- Remove the “features” sticker.
- Check for damage (e.g., loose/bent/mis-aligned components, damaged drawer seal, dented surfaces).
- Report damage to your dealer or a Dacor Authorized Servicer. Do not install/operate a damaged appliance.

Installation

About the Electrical Outlet

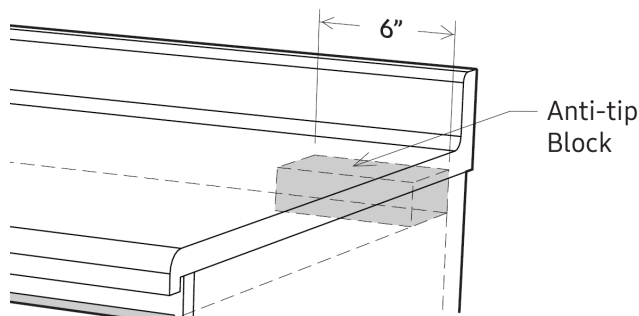


A 120 volt 60 Hz, AC only, 15 amp. or more protected electrical supply is required. It is preferable that the oven be on its own circuit.

The drawer has a 3-prong grounding plug that must be plugged into a properly installed and grounded outlet. If only a 2-prong outlet is available, have a qualified electrician install a proper outlet.

NOTE: Address any questions to a qualified electrician or service technician.

Installing the Anti-Tip Block

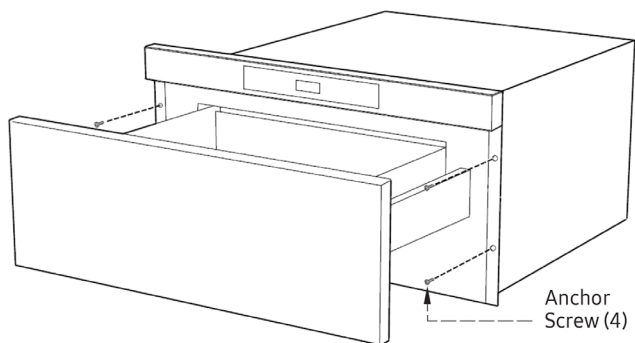


This block keeps the oven from tipping forward and possibly spilling hot foods and liquids. It must be installed so its bottom is 14 13/16" above the cutout floor.

The installer shall provide the anti-tip block. (See pgs. 9 and 10 for specific placements.)

If the drawer is relocated, relocate the block with it.

Installing the Microwave In-A-Drawer™



1. Place the drawer in front of its cutout.
2. Plug in the power cord, and slide the unit into the cutout until the mounting flange meets the cabinet face. (Do not pinch the cord between the chassis and the wall.)
3. On the control panel, press **Open**. The drawer opens, exposing the four anchor-screw holes. (See the graphic at left.)
4. Using the 4 holes as a template, predrill the cabinet with a 1/16" bit, then anchor the drawer with the 4 provided screws.

dacor[®]

Dacor · 14425 Clark Avenue, City of Industry, CA 91745 · Phone: (800) 793-0093 · Fax: (626) 403-3130 · www.dacor.com