

DMW2420S, ADMWTK, AMTK, AOMTK

Document # PG12-007

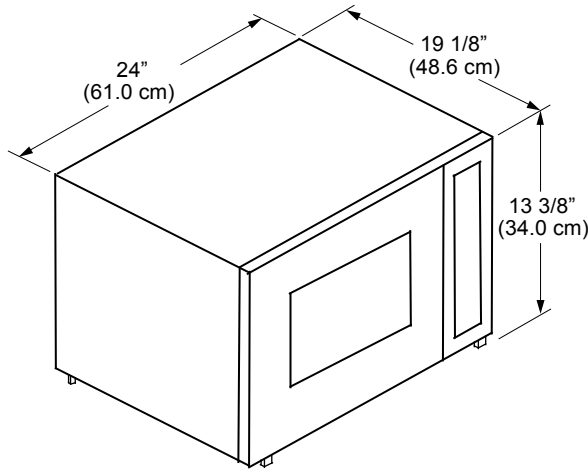
Revised 09/12/14 Page 1/1



Distinctive® Microwave Oven and Built-In Trim Kits

PLANNING GUIDE

All tolerances: $\pm 1/16"$ (± 1.6 mm), unless otherwise stated



Shipping weight: 46 lbs.

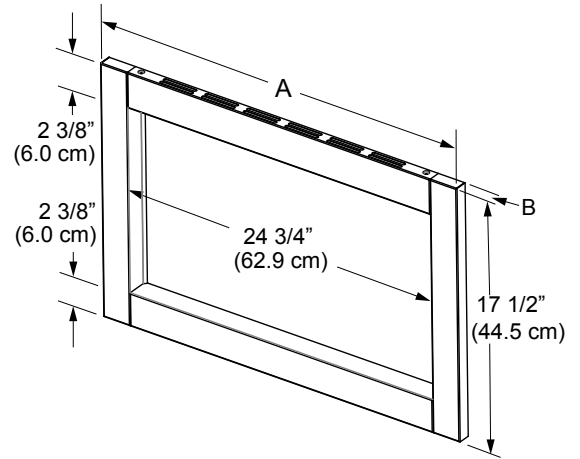
Circuit required: 120 Vac, 15 Amp. dedicated, grounded, 3-prong electrical outlet

Total connected load: 13.0 Amp. @ 120 Vac, 60 Hz.

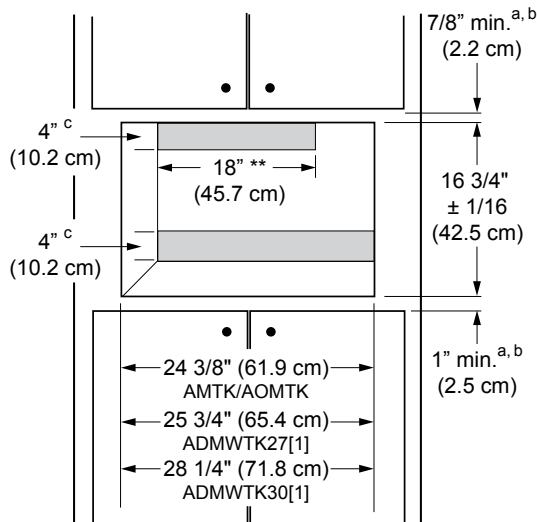
Interior dimensions: 10 1/2" H x 17 3/8" W x 18 5/8" D, interior walls are recessed

⚠ WARNING

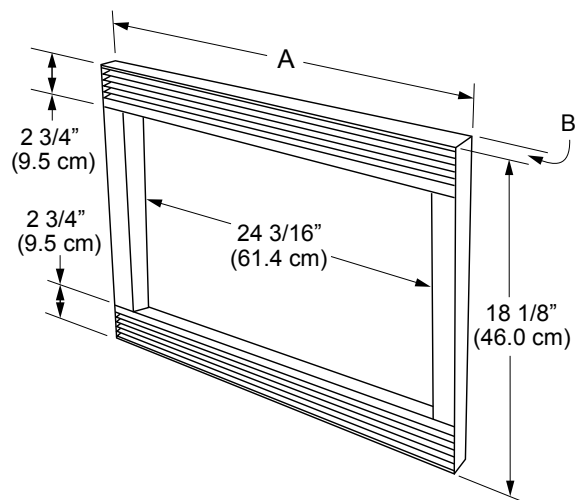
- Observe all governing codes and ordinances during planning and installation. Contact your local building department for further information.
- This appliance must be installed in accordance with the accompanying installation instructions.



DMW2420 MICROWAVE SPECIFICATIONS



ADMWTK TRIM KIT DIMENSIONS



MICROWAVE INSTALLATION WITH BUILT-IN TRIM KIT

- ^a Minimum spacing: Includes additional space to avoid scraping/vibration.
^b 5/8" (1.6 cm) for ADMWTK series trim kit.
^c 120 Vac 15 Amp. 3-prong electrical outlet must be located in one of shaded areas shown unless interior cabinet depth is 21" (53.3 cm) or more.

NOTE:

- Power cord length: 42" (106.7 cm) with three prong plug.
- 3/4" (1.9 cm) platform (flush with cutout) required.
- 20" (50.8 cm) minimum interior cabinet depth required for built-in trim kits.
- See the Combination Installation (CI) section if installing with a wall oven or warming oven.

AMTK/AOMTK TRIM KIT DIMENSIONS

Trim Kit Model #	(A) Overall Width	(B) Trim Depth	Trim Kit Overlays
ADMWTK27	26 7/8" (68.3 cm)	3/4" (1.9 cm)	Top: 3/8" (1.0 cm)
ADMWTK30	29 7/8" (75.9 cm)		Bottom: 3/8" (1.0 cm)
ADMWTK271	26 7/8" (68.3 cm)	1" (2.5 cm)	Top: 5/8" (1.6 cm)
ADMWTK301	29 7/8" (75.9 cm)		Bottom: 3/4" (1.9 cm)
AMTK27	26 7/8" (68.3 cm)	1" (2.5 cm)	Top: 5/8" (1.6 cm)
AMTK30	29 7/8" (75.9 cm)		Bottom: 3/4" (1.9 cm)
AMTK36	35 7/8" (91.1 cm)	1 1/4" (3.2 cm)	Top: 5/8" (1.6 cm)
AOMTK27	27" (68.6 cm)		Bottom: 3/4" (1.9 cm)
AOMTK30	30" (76.2 cm)	Bottom: 3/4" (1.9 cm)	