

Planning Guide (Columns)

PLANNING CHECK PROCESS

1. Product List

2. Plan the cutout : Single

3. Plan the configuration & cutout : Single / Pair / 3 unit

- 1) Recommend configuration
- 2) Product dimension
- 3) Door swivel range

4. Properly site the electrical and water supply outlet

5. Accessory package

- 1) Door panel specification
- 2) Handle style & specification
- 3) Toe kick style
- * Pair installation kit

6. Product Spec

1. Product List

| | | | | | | | | | | |
|-------------------|--|-----|-----|-----|------|----------------|-----|-----|-----|-----|
| | Column Fridge | | | | Wine | Column Freezer | | | FDR | T |
| Width | 18" | 24" | 30" | 36" | 24" | 24" | 30" | 36" | 36" | 42" |
| Custom Panel | Black (Graphite) or Silver Stainless | | | | | | | | | |
| Door Swing | Left or Right Hand | | | | | | | | | |
| Handle | Pro (Silver) or Modern (silver or black) | | | | | | | | | |
| Toe Kick plate | Black (Graphite) or Silver Stainless | | | | | | | | | |
| Pair Installation | Pair Installation Kit for Column | | | | | | | | - | |

COLUMN - Fridge



24-inch
 DRR24980LAP
 Door Swing : Left
 Interior : Metal (STSS)
 Custom Panel : Graphite



24-inch
 DRR24980RAP
 Door Swing : Right
 Interior : Metal (STSS)
 Custom Panel : Graphite



24-inch
 DRR24980LAP
 Door Swing : Left
 Interior : Metal (STSS)
 Custom Panel : Silver



24-inch
 DRR24980RAP
 Door Swing : Right
 Interior : Metal (STSS)
 Custom Panel : Silver



30-inch
 DRR30980LAP
 Door Swing : Left
 Interior : Metal (STSS)
 Custom Panel : Graphite



30-inch
 DRR30980RAP
 Door Swing : Right
 Interior : Metal (STSS)
 Custom Panel : Graphite



30-inch
 DRR30980LAP
 Door Swing : Left
 Interior : Metal (STSS)
 Custom Panel : Silver



30-inch
 DRR30980RAP
 Door Swing : Right
 Interior : Metal (STSS)
 Custom Panel : Silver

COLUMN – Fridge



30-inch
 DRR30990LAP
 Door Swing : Left
 Interior : Porcelain
 Custom Panel : Graphite



30-inch
 DRR30990RAP
 Door Swing : Right
 Interior : Porcelain
 Custom Panel : Graphite



30-inch
 DRR30990LAP
 Door Swing : Left
 Interior : Porcelain
 Custom Panel : Silver



30-inch
 DRR30990RAP
 Door Swing : Right
 Interior : Porcelain
 Custom Panel : Silver



36-inch
 DRR36980LAP
 Door Swing : Left
 Interior : Metal (STSS)
 Custom Panel : Graphite



36-inch
 DRR36980RAP
 Door Swing : Right
 Interior : Metal (STSS)
 Custom Panel : Graphite



36-inch
 DRR36980LAP
 Door Swing : Left
 Interior : Metal (STSS)
 Custom Panel : Silver



36-inch
 DRR36980RAP
 Door Swing : Right
 Interior : Metal (STSS)
 Custom Panel : Silver

COLUMN – Freezer



18-inch
DRZ18980LAP
Door Swing : Left
Interior : Metal (STSS)
Custom Panel : Graphite



18-inch
DRZ18980RAP
Door Swing : Right
Interior : Metal (STSS)
Custom Panel : Graphite



18-inch
DRZ18980LAP
Door Swing : Left
Interior : Metal (STSS)
Custom Panel : Silver



18-inch
DRZ18980RAP
Door Swing : Right
Interior : Metal (STSS)
Custom Panel : Silver



24-inch
DRZ24980LAP
Door Swing : Left
Interior : Metal (STSS)
Custom Panel : Graphite



24-inch
DRZ24980RAP
Door Swing : Right
Interior : Metal (STSS)
Custom Panel : Graphite



24-inch
DRZ24980LAP
Door Swing : Left
Interior : Metal (STSS)
Custom Panel : Silver



24-inch
DRZ24980RAP
Door Swing : Right
Interior : Metal (STSS)
Custom Panel : Silver



30-inch
DRZ30980LAP
Door Swing : Left
Interior : Metal (STSS)
Custom Panel : Graphite



30-inch
DRZ30980RAP
Door Swing : Right
Interior : Metal (STSS)
Custom Panel : Graphite



30-inch
DRZ30980LAP
Door Swing : Left
Interior : Metal (STSS)
Custom Panel : Silver



30-inch
DRZ30980RAP
Door Swing : Right
Interior : Metal (STSS)
Custom Panel : Silver

COLUMN – Freezer



30-inch
DRZ30990LAP
Door Swing : Left
Interior : Porcelain
Custom Panel : Graphite



30-inch
DRZ30990RAP
Door Swing : Right
Interior : Porcelain
Custom Panel : Graphite



30-inch
DRZ30990LAP
Door Swing : Left
Interior : Porcelain
Custom Panel : Silver



30-inch
DRZ30990RAP
Door Swing : Right
Interior : Porcelain
Custom Panel : Silver



36-inch
DRZ36980LAP
Door Swing : Left
Interior : Metal (STSS)
Custom Panel : Graphite



36-inch
DRZ36980RAP
Door Swing : Right
Interior : Metal (STSS)
Custom Panel : Graphite



36-inch
DRZ36980LAP
Door Swing : Left
Interior : Metal (STSS)
Custom Panel : Silver



36-inch
DRZ36980RAP
Door Swing : Right
Interior : Metal (STSS)
Custom Panel : Silver

COLUMN – Wine



24-inch
DRW24***LAP
Door Swing : Left
Interior : Metal (STSS)
Custom Panel : Graphite



24-inch
DRZ24***RAP
Door Swing : Right
Interior : Metal (STSS)
Custom Panel : Graphite

FRENCH DOOR



36-inch
DRF367500AP
Interior : Metal (STSS)
Custom Panel : Graphite



36-inch
DRF367500AP
Interior : Metal (STSS)
Custom Panel : Silver



42-inch
DRF427500AP
Interior : Metal (STSS)
Custom Panel : Graphite



42-inch
DRF427500AP
Interior : Metal (STSS)
Custom Panel : Silver



42-inch
DRF427500AP
Interior : Porcelain
Custom Panel : Graphite

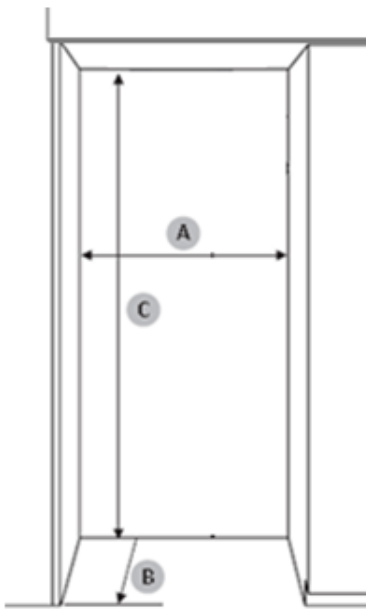


42-inch
DRF427500AP
Interior : Porcelain
Custom Panel : Silver

2. Plan the cutout : Single

It is important to observe the specified dimensions of the installation cutout for a trouble-free installation of the appliance and for the subsequent appearance of the door panel.

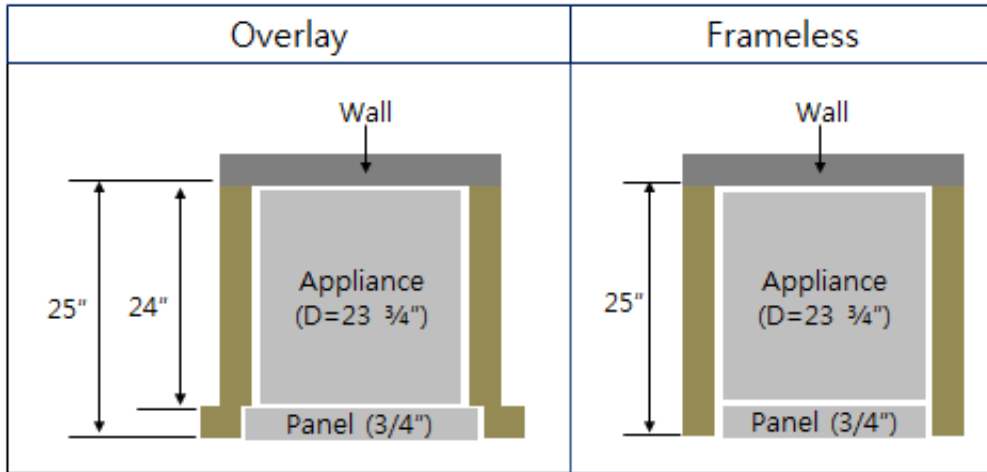
- In particular ensure that the cutout is square. Squareness can be checked by suitable means, spirit level diagonal measurements, etc.
- This side walls of the cutout must be flush. The minimum thickness of the side and top walls is 5/8" (16 mm).



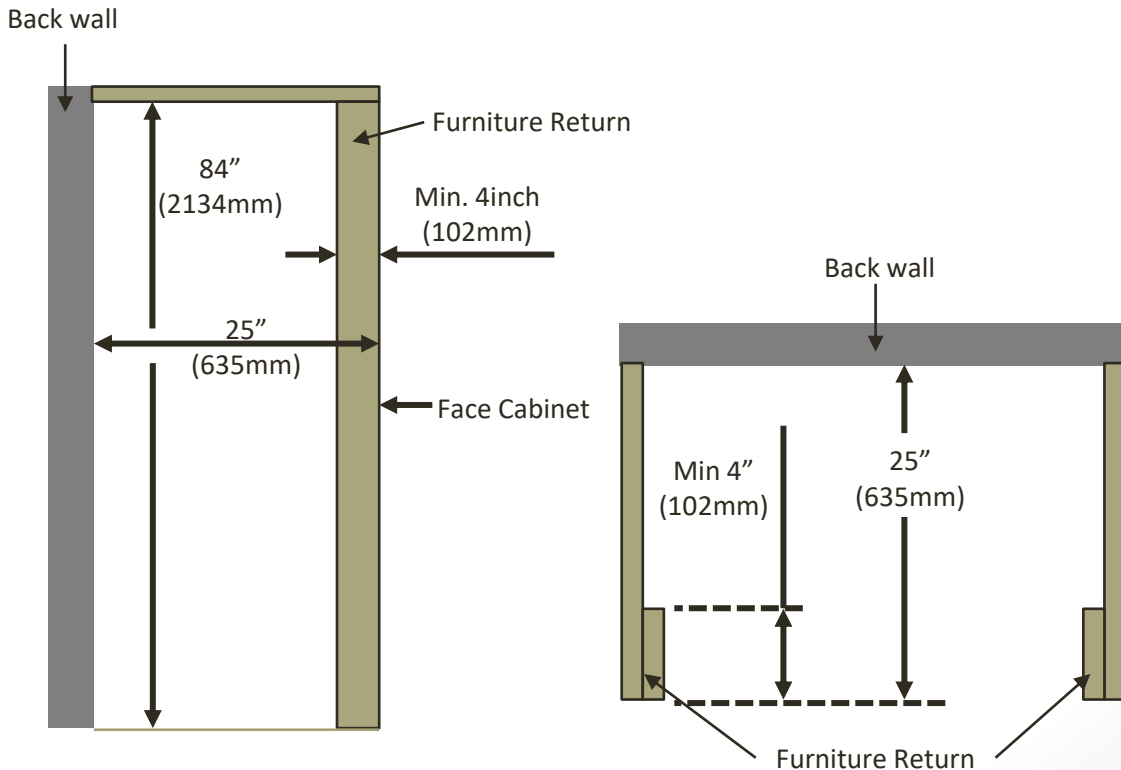
| Call Out | 18" | 24" | 30" | 36" | 42" |
|--------------------|------------------|--------------|--------------|--------------|--------------|
| A (Cabinet Width) | 18" (457 mm) | 24" (610 mm) | 30" (762 mm) | 36" (915 mm) | 42" (1067mm) |
| B (Cabinet Depth) | Min 25" (635 mm) | | | | |
| C (Cabinet Height) | 84" (2134 mm) | | | | |

- B : Includes the standard door panel thickness with 3/4".
- Installation inside a cabinet of this width allows the refrigerator trim to be attached directly to the surrounding cabinets.

DACOR built-in refrigeration appliances are designed to accommodate nearly any type of kitchen cabinetry door installation. Generally, when using standard $\frac{3}{4}$ "(19mm)panels, Min 25"(635mm) deep cutout are recommended.



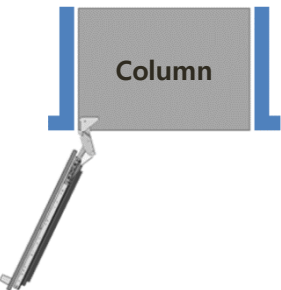
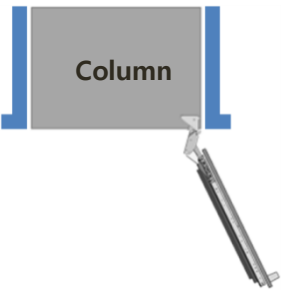
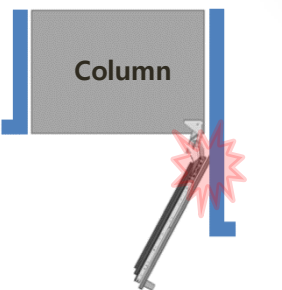

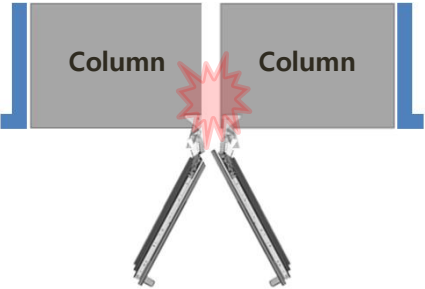
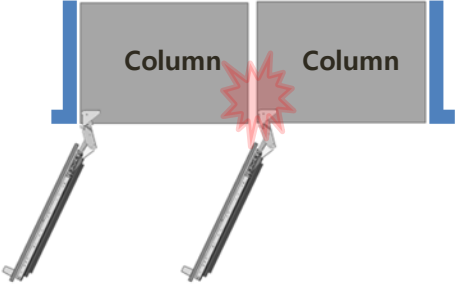
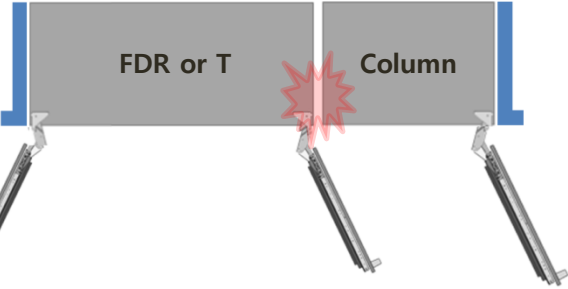
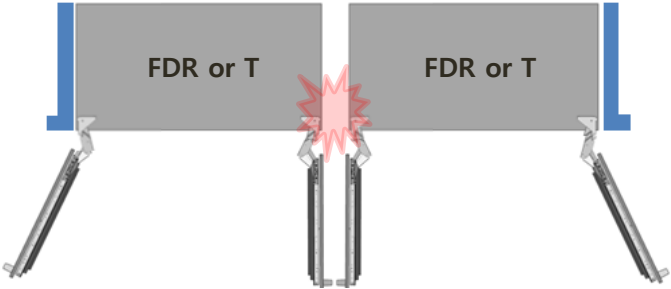
*** Furniture Return**



Furniture return must be at least 4" (102 mm) deep, on interior top and sides, of solid material and should be finished to match the exterior at the same depth (4" or 102 mm)

3. Plan the configuration & cutout : Pair / 3 unit

1) Recommend configuration

| | |
|---------------|--|
| <p>Single</p> | <div style="display: flex; justify-content: space-around; align-items: center;"> <div style="text-align: center;"> <p><i>OK</i></p>  </div> <div style="text-align: center;"> <p><i>OK</i></p>  </div> <div style="text-align: center;"> <p><i>X</i></p>  </div> </div> |
| <p>Pair</p> | <p>* Without Partition</p> <div style="display: flex; flex-direction: column; align-items: center;"> <div style="display: flex; justify-content: space-around; width: 100%;"> <div style="text-align: center;"> <p><i>OK</i></p>  </div> <div style="text-align: center;"> <p><i>X (not possible pairing)</i></p>  </div> </div> <div style="display: flex; justify-content: space-around; width: 100%; margin-top: 20px;"> <div style="text-align: center;"> <p><i>X (not possible pairing)</i></p>  </div> <div style="text-align: center;"> <p><i>X (not possible pairing)</i></p>  </div> </div> <div style="text-align: center; margin-top: 20px;"> <p><i>X (not possible pairing)</i></p>  </div> </div> |

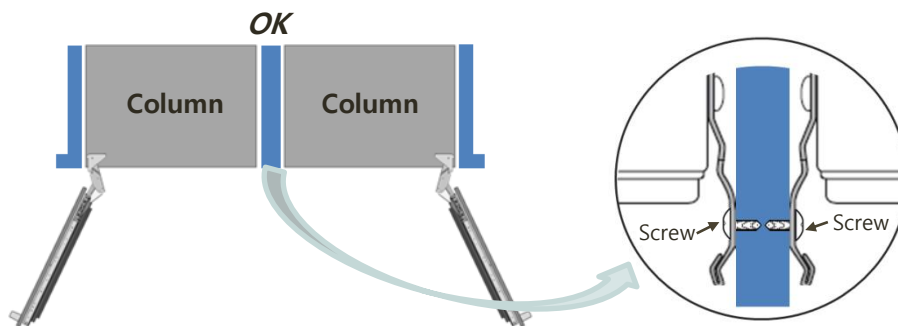
3. Plan the configuration & cutout : Pair / 3 unit

1) Recommend configuration

* With Partition

Door swivel direction : Opposite

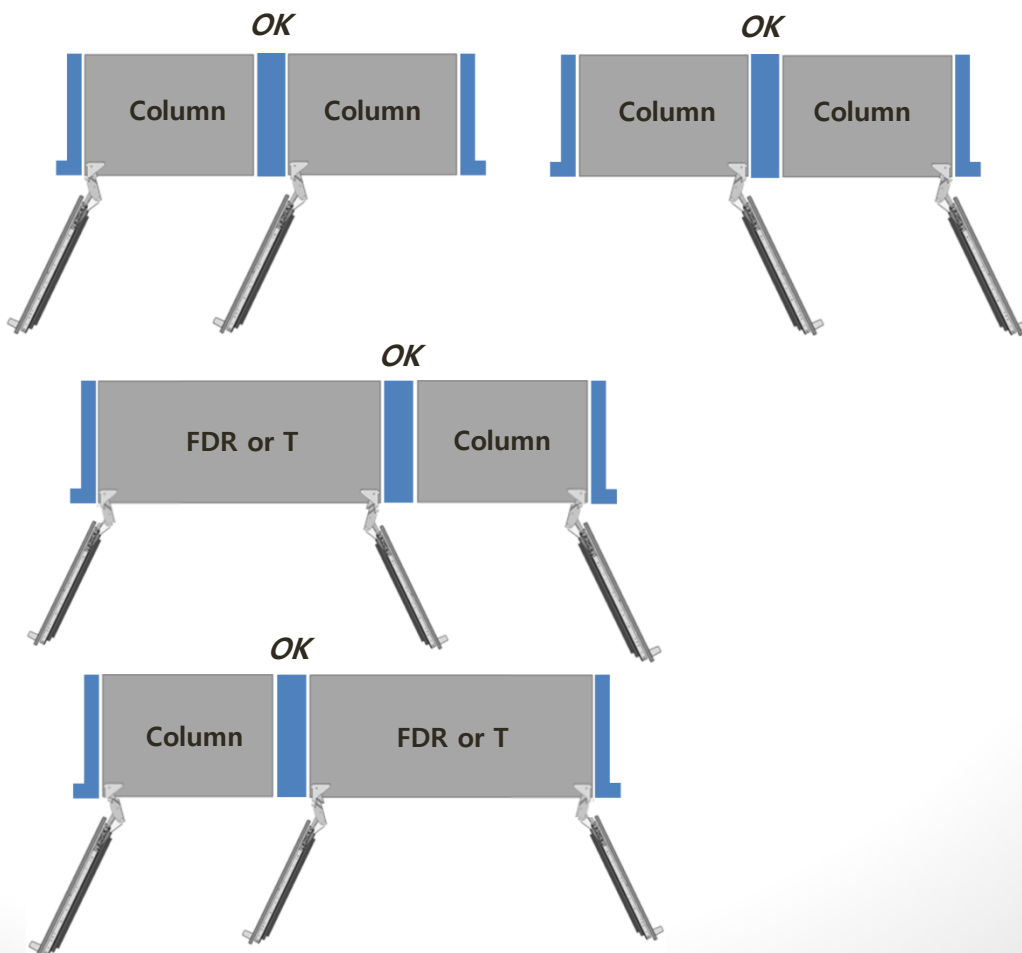
The minimum thickness of the partition is 1 1/4" (32mm).



Door swivel direction : Same

The minimum thickness of the partition is 1 9/16" (40mm).

Pair



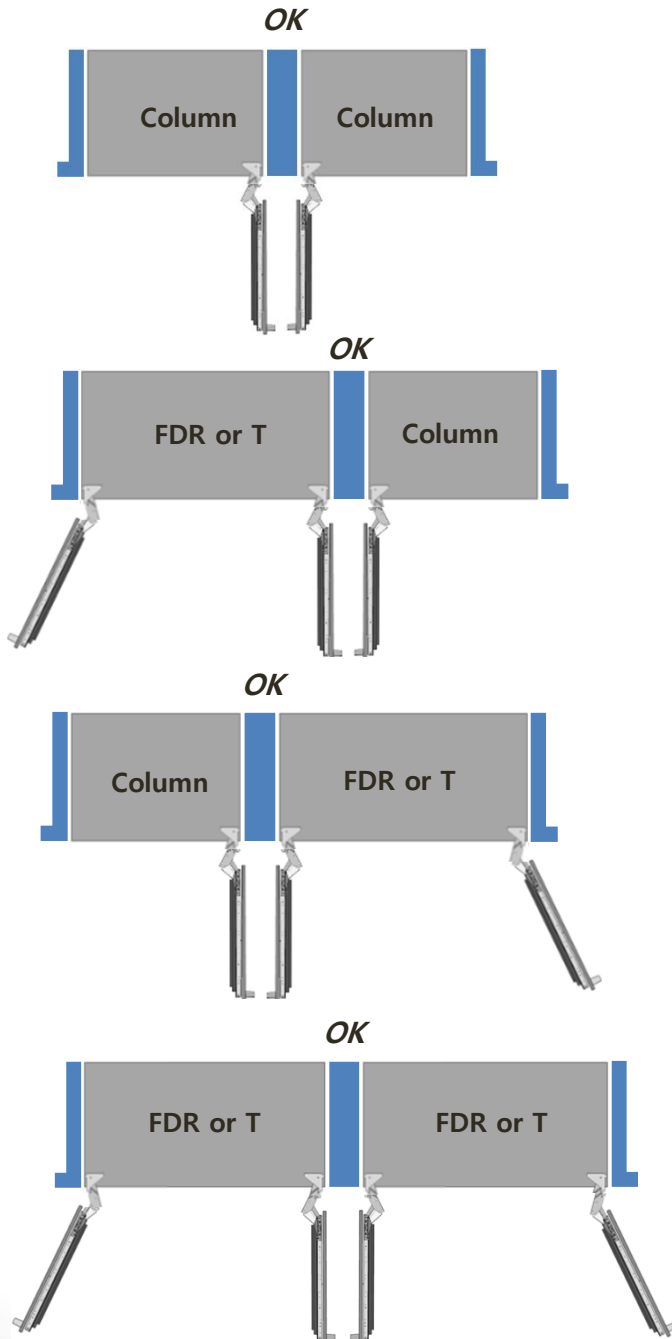
3. Plan the configuration & cutout : Pair / 3 unit

1) Recommend configuration

* With Partition

At more than 7 7/8" (200mm), the doors swing can open toward each other at the same time and the doors open angle is 90 degree. Partition thickness is dependent on handle depth. Dimension is acceptable for Dacor handles.

Pair



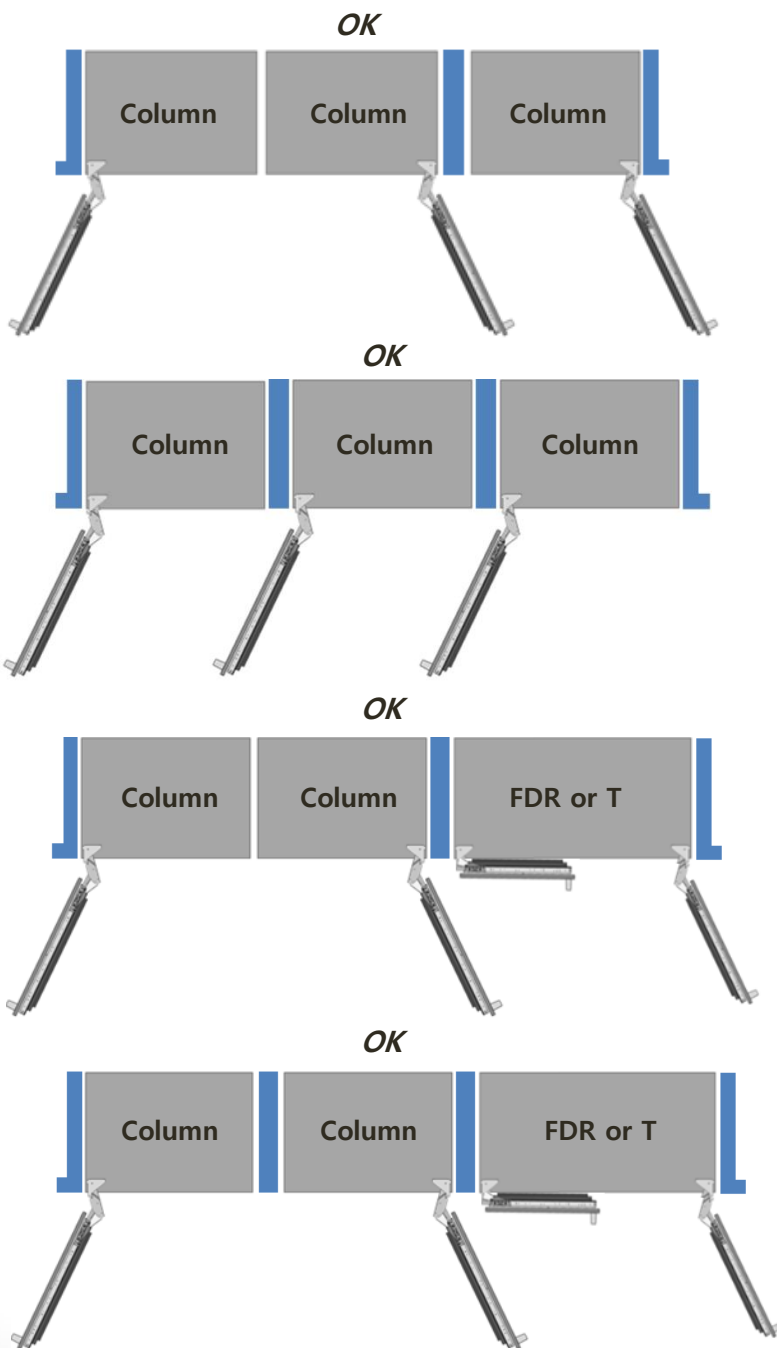
3. Plan the configuration & cutout : Pair / 3 unit

1) Recommend configuration

* With Partition

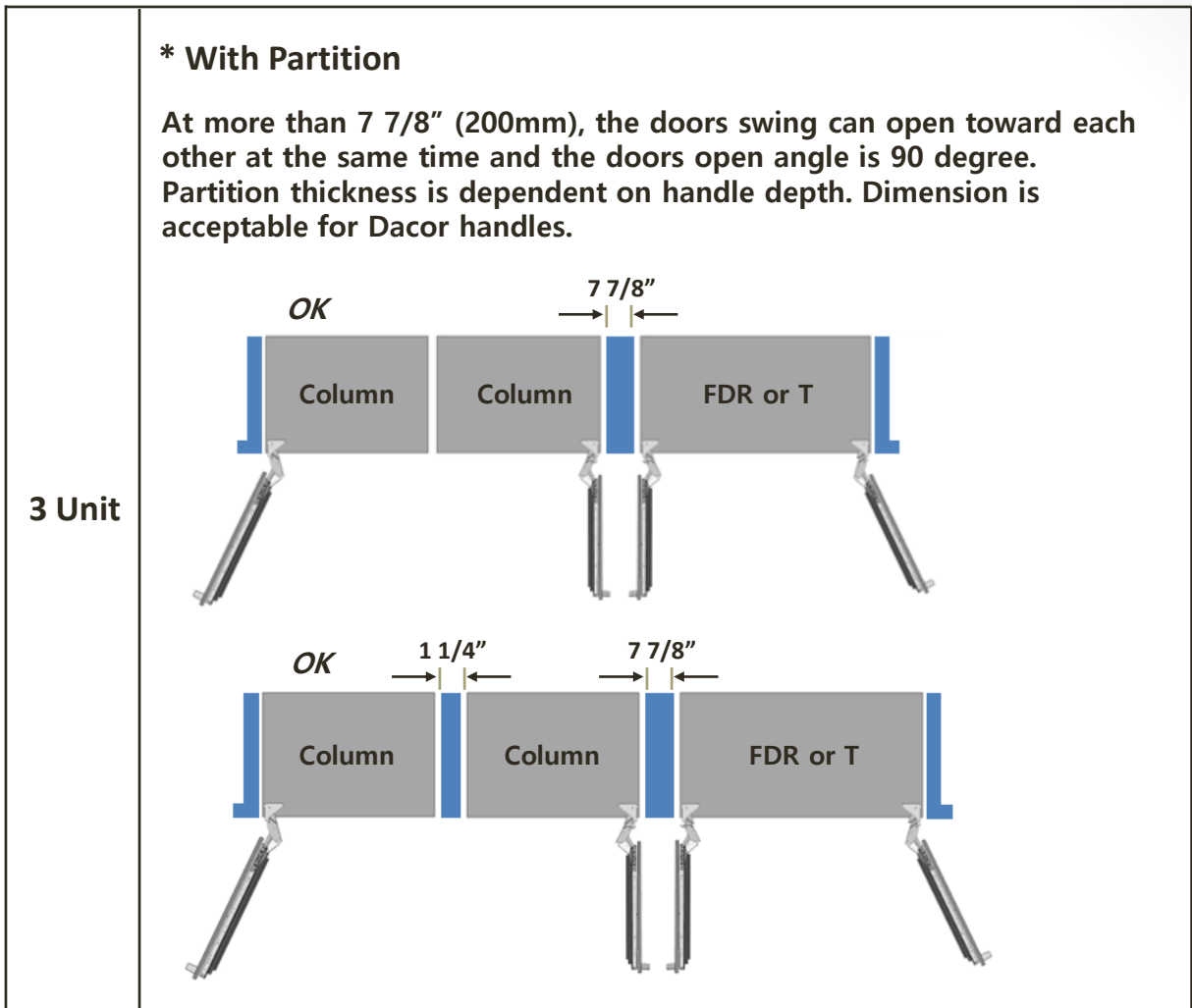
At 1 9/16" (40mm), the door swing can open same direction.
If the doors are opened at the same time, the one door open angle is 90 degree and then the other door is opened.

3 Unit

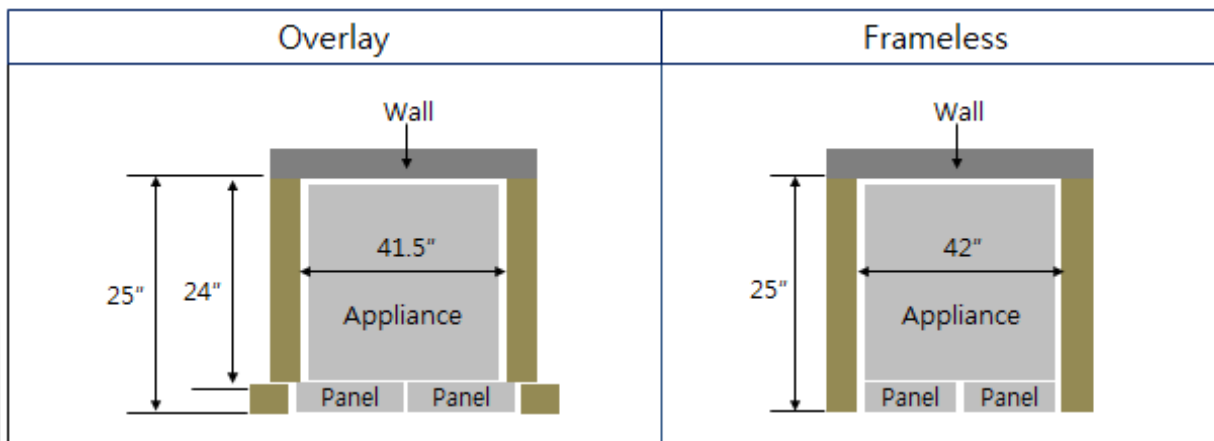


3. Plan the configuration & cutout : Pair / 3 unit

1) Recommend configuration

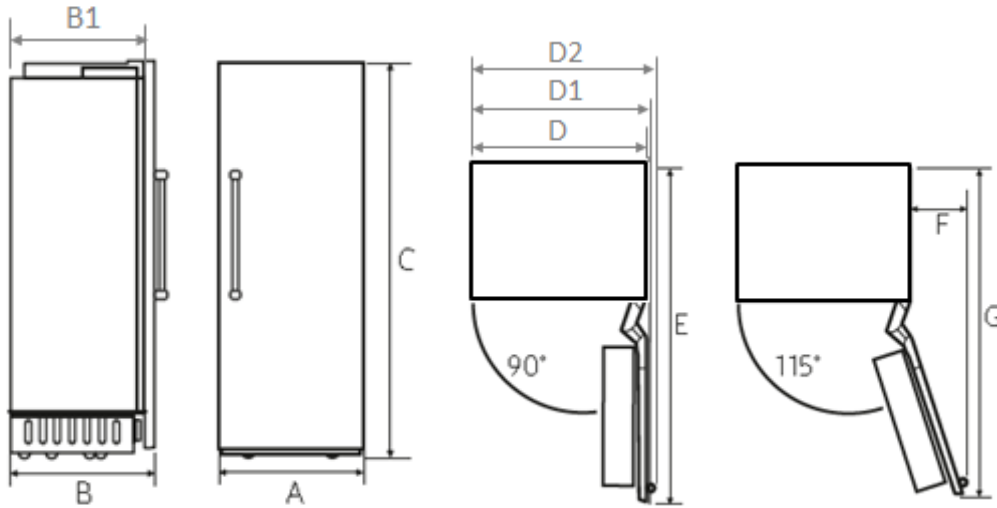


✳ French – 4 Door Installation Type



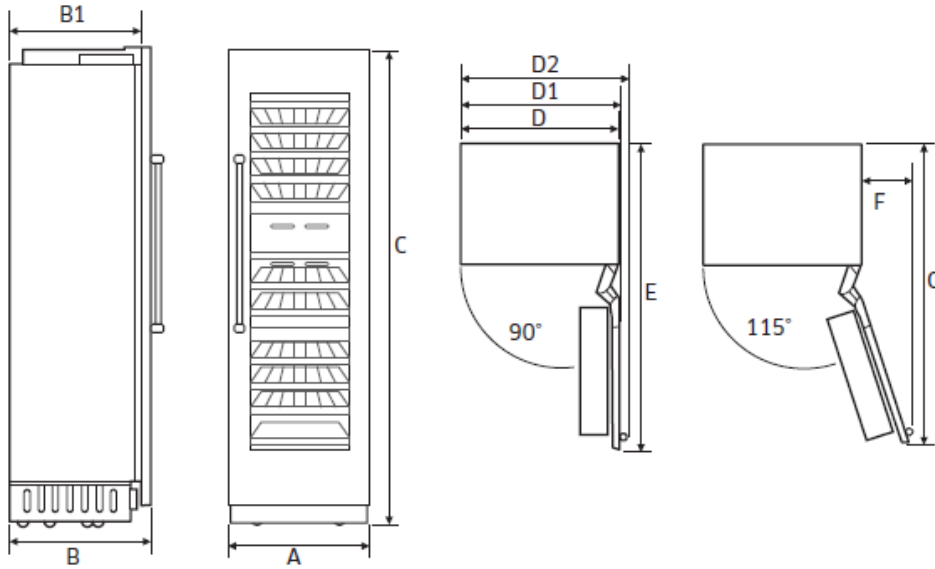
2) Product Dimension

[COLUMN]



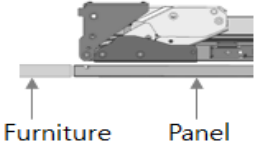
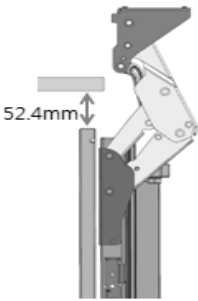
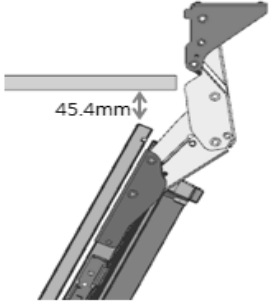
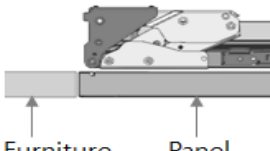
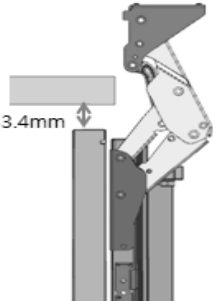
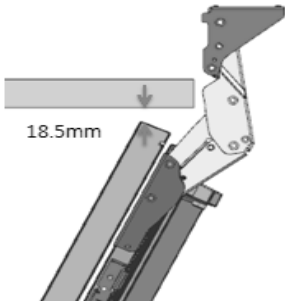
| Call Out | 18" | 24" | 30" | 36" |
|--------------------|--------------------|---------------------|---------------------|---------------------|
| A(Width) | 17 3/4" (451 mm) | 23 3/4" (603 mm) | 29 3/4" (756 mm) | 35 3/4" (908 mm) |
| B (With Panel) | 25" (635mm) | | | |
| B1 (Without Panel) | 23 13/16" (605mm) | | | |
| C (Height) | 83 3/8" (2118 mm) | | | |
| D | 17 5/8" (447 mm) | 23 5/8" (600 mm) | 29 5/8" (752 mm) | 35 5/8" (905 mm) |
| D1 | 18 7/8" (478 mm) | 24 7/8" (631 mm) | 30 7/8" (783 mm) | 36 7/8" (936 mm) |
| D2 | 21 9/16" (548 mm) | 27 9/16" (701 mm) | 33 19/32" (853 mm) | 39 19/32" (1006 mm) |
| E | 44 3/4" (1136 mm) | 50 3/4" (1289 mm) | 56 11/16" (1440 mm) | 62 7/8" (1597 mm) |
| F | 11 13/16" (275 mm) | 13 11/16" (348 mm) | 16 9/16" (421 mm) | 20 9/16" (496 mm) |
| G | 43 7/8" (1114 mm) | 49 11/16" (1261 mm) | 55 5/16" (1404 mm) | 61 5/16" (1556 mm) |

[WINE CELLAR]

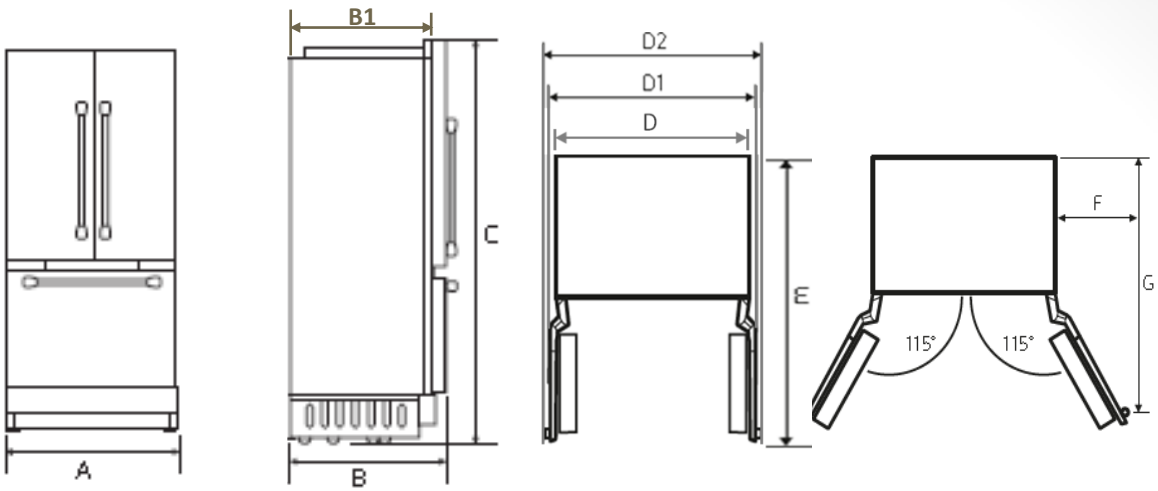


| Call Out | Wine 24" |
|--------------------|--------------------|
| A(Width) | 23 3/4" (603mm) |
| B (With Panel) | 25" (635mm) |
| B1 (Without Panel) | 23 13/16" (605mm) |
| C (Height) | 83 3/8" (2118mm) |
| D | 23 5/8" (600mm) |
| D1 | 24 7/8" (631mm) |
| D2 (With Handle) | 27 9/16" (701mm) |
| E | 50 3/4" (1289mm) |
| F | 13 11/16" (348mm) |
| G | 49 11/16" (1261mm) |

[DOOR SWIVEL RANGE - COLUMN]


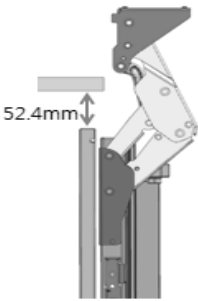
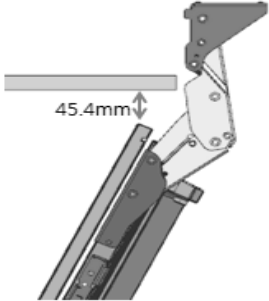
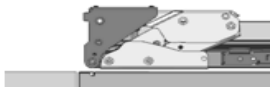
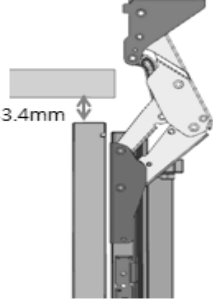
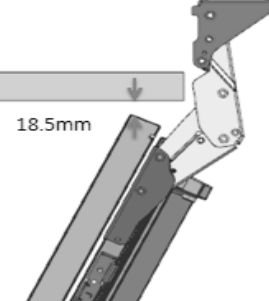
| Panel Thickness | 90° Open | 115° Open |
|---|---|---|
| <p data-bbox="187 278 339 311">¾" (19mm)</p>  |  <p data-bbox="548 388 629 413">52.4mm</p> |  <p data-bbox="943 388 1025 413">45.4mm</p> |
| <p data-bbox="168 639 339 672">1½" (38mm)</p>  |  <p data-bbox="534 730 615 755">33.4mm</p> |  <p data-bbox="911 741 992 767">18.5mm</p> |

[FRENCH – 3 DOOR]

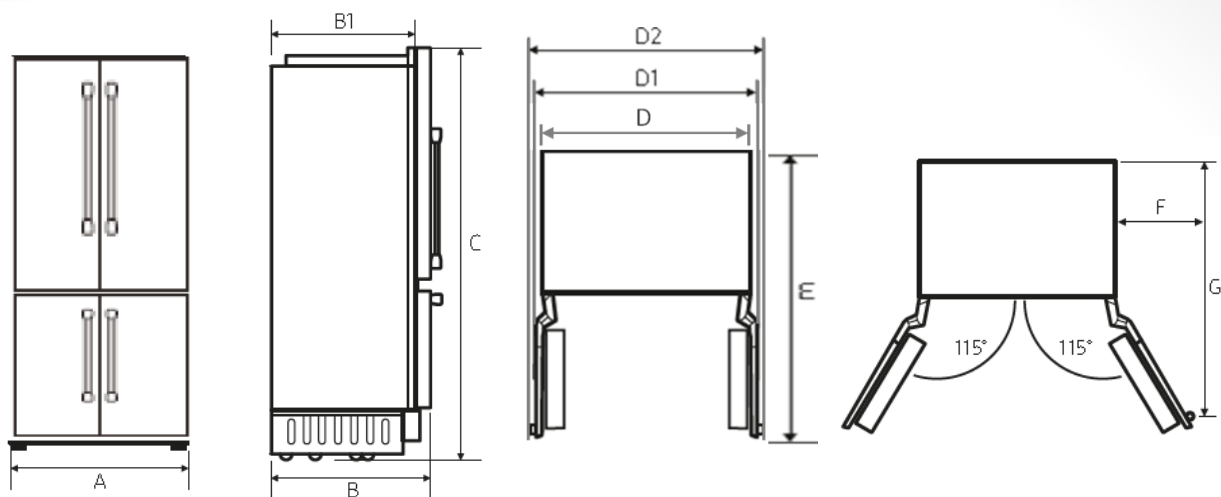


| | |
|--------------------|--------------------|
| Call Out | 36" |
| A(Width) | 35 3/4" (908mm) |
| B (With Panel) | 25" (635mm) |
| B1 (Without Panel) | 23 13/16" (605mm) |
| C (Height) | 83 3/8" (2118mm) |
| D | 35 5/8" (905mm) |
| D1 | 38 1/16" (967mm) |
| D2 (With Handle) | 43 19/32" (1107mm) |
| E | 44 7/8" (1140mm) |
| F | 20 9/16" (496mm) |
| G | 44" (1118mm) |

[DOOR SWIVEL RANGE - FRENCH 3 DOOR]

| Panel Thickness | 90° Open | 115° Open |
|---|---|---|
| <p data-bbox="187 278 339 311">¾" (19mm)</p>  <p data-bbox="205 471 315 498">Furniture</p> <p data-bbox="368 471 434 498">Panel</p> |  <p data-bbox="548 388 629 413">52.4mm</p> |  <p data-bbox="943 388 1025 413">45.4mm</p> |
| <p data-bbox="168 639 339 672">1½" (38mm)</p>  <p data-bbox="205 857 315 884">Furniture</p> <p data-bbox="368 857 434 884">Panel</p> |  <p data-bbox="534 730 615 755">33.4mm</p> |  <p data-bbox="911 741 992 767">18.5mm</p> |

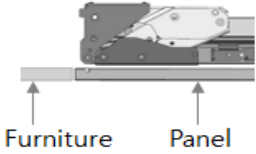
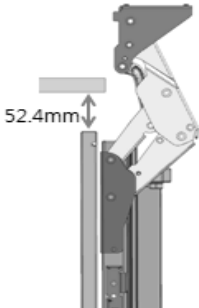
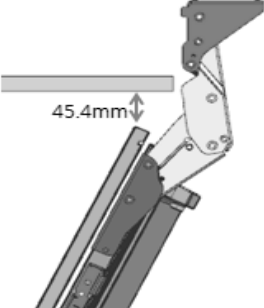
[FRENCH – 4 DOOR]



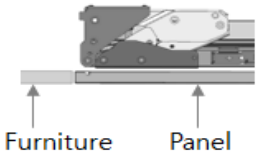
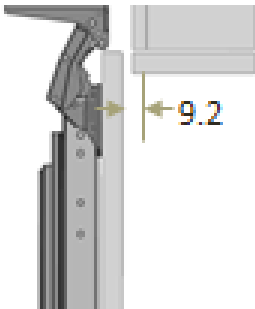
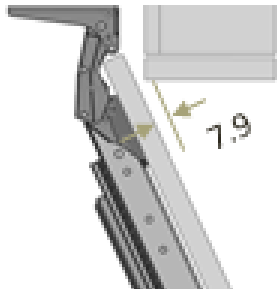
| | |
|--------------------|--------------------|
| Call Out | 42" |
| A(Width) | 41 3/4" (1060mm) |
| B (With Panel) | 25" (635mm) |
| B1 (Without Panel) | 23 11/16" (603mm) |
| C (Height) | 83 3/8" (2118mm) |
| D | 41 1/4" (1048mm) |
| D1 | 43 11/16" (1110mm) |
| D2 | 49 7/32" (1250mm) |
| E | 48 1/2" (1232mm) |
| F | 22 7/16" (570mm) |
| G | 47 5/8" (1210mm) |

[DOOR SWIVEL RANGE - FRENCH 4 DOOR]

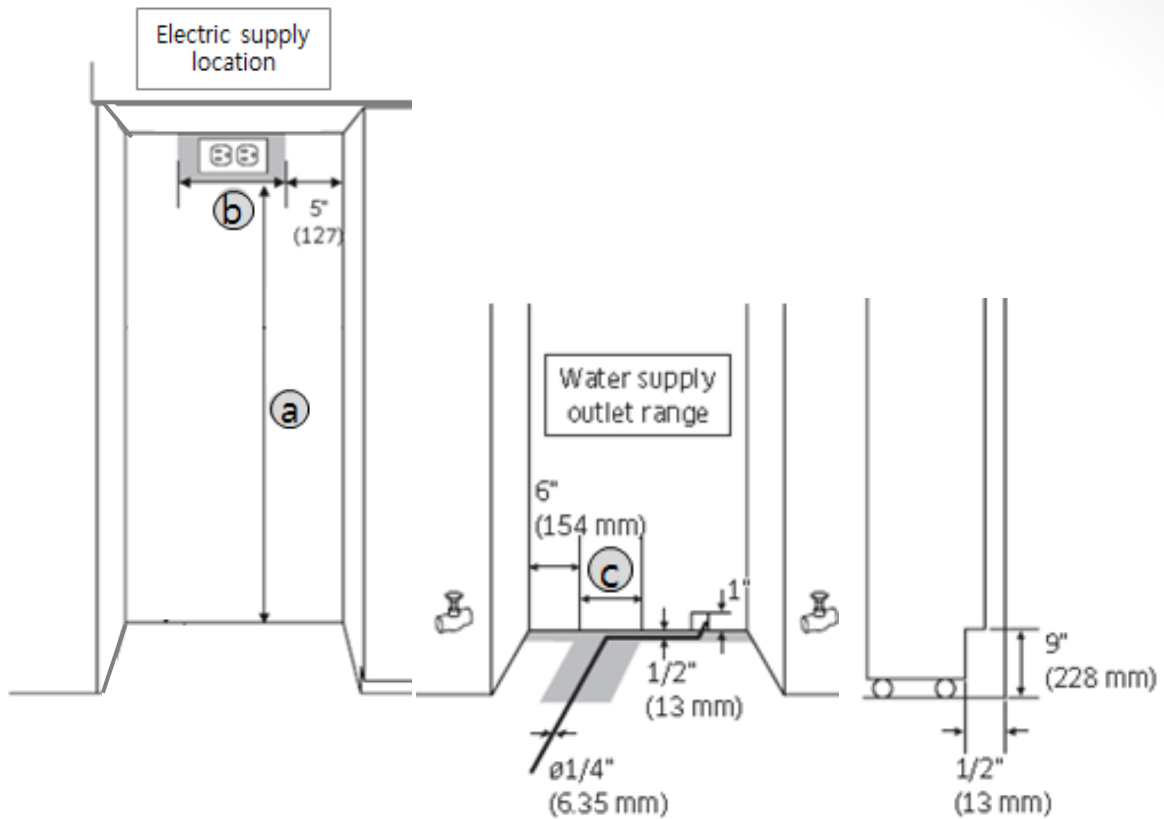
< FRIDGE DOOR >

| Panel Thickness | 90° Open | 115° Open |
|--|---|--|
| <p data-bbox="201 374 354 407">3/4" (19mm)</p>  |  |  |

< FREEZER DOOR >

| Panel Thickness | 90° Open | 115° Open |
|---|--|---|
| <p data-bbox="201 898 354 931">3/4" (19mm)</p>  |  |  |

4. Properly site the electrical and water supply outlet



| Call Out | 18" | 24" | 30" | 36" | 42" |
|----------|--------------|----------------|-------------|-------------|-------------|
| a | 80" (2032mm) | | | | |
| b | 8" (203mm) | 14" (356mm) | 20" (508mm) | 26" (660mm) | 22" (559mm) |
| c | 3" (76mm) | 5 1/2" (140mm) | 6" (154mm) | 9" (228mm) | 12" (305mm) |

5. Accessory package

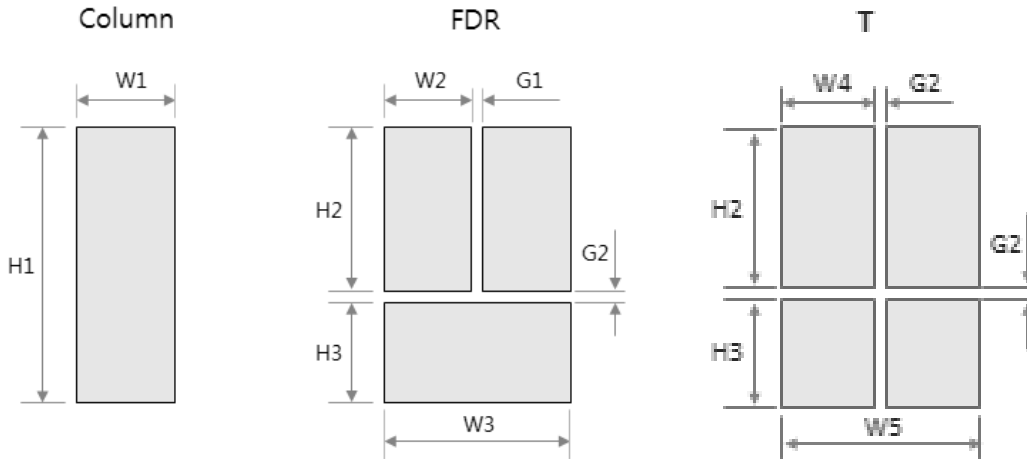
| Acc. Code | CMF Color | Hinge | Handle | Accessory Package | | | | | | | | | | | | | | | |
|-------------|-----------------|-------|--------|--------------------|------|-------------------|------|---------------------|------|--------------------|------|----------|------|---------------|------|----------------|------|---|---|
| | | | | Panel Right Fridge | Q'ty | Panel Left Fridge | Q'ty | Panel Right Freezer | Q'ty | Panel Left Freezer | Q'ty | Toe Kick | Q'ty | Handle Fridge | Q'ty | Handle Freezer | Q'ty | | |
| RAC18AMLHMS | Modern Graphite | L | Modern | | | ● | 1 | | | | | | | ● | 1 | ● | 1 | | |
| RAC18AMRHMS | Modern Graphite | R | Modern | ● | 1 | | | | | | | | | ● | 1 | ● | 1 | | |
| RAC18AMLHSR | Real STSS | L | Modern | | | ● | 1 | | | | | | | ● | 1 | ● | 1 | | |
| RAC18AMRHSR | Real STSS | R | Modern | ● | 1 | | | | | | | | | ● | 1 | ● | 1 | | |
| RAC24AMLHMS | Modern Graphite | L | Modern | | | ● | 1 | | | | | | | ● | 1 | ● | 1 | | |
| RAC24AMRHMS | Modern Graphite | R | Modern | ● | 1 | | | | | | | | | ● | 1 | ● | 1 | | |
| RAC24AMLHSR | Real STSS | L | Modern | | | ● | 1 | | | | | | | ● | 1 | ● | 1 | | |
| RAC24AMRHSR | Real STSS | R | Modern | ● | 1 | | | | | | | | | ● | 1 | ● | 1 | | |
| RAC30AMLHMS | Modern Graphite | L | Modern | | | ● | 1 | | | | | | | ● | 1 | ● | 1 | | |
| RAC30AMRHMS | Modern Graphite | R | Modern | ● | 1 | | | | | | | | | ● | 1 | ● | 1 | | |
| RAC30AMLHSR | Real STSS | L | Modern | | | ● | 1 | | | | | | | ● | 1 | ● | 1 | | |
| RAC30AMRHSR | Real STSS | R | Modern | ● | 1 | | | | | | | | | ● | 1 | ● | 1 | | |
| RAC36AMLHMS | Modern Graphite | L | Modern | | | ● | 1 | | | | | | | ● | 1 | ● | 1 | | |
| RAC36AMRHMS | Modern Graphite | R | Modern | ● | 1 | | | | | | | | | ● | 1 | ● | 1 | | |
| RAC36AMLHSR | Real STSS | L | Modern | | | ● | 1 | | | | | | | ● | 1 | ● | 1 | | |
| RAC36AMRHSR | Real STSS | R | Modern | ● | 1 | | | | | | | | | ● | 1 | ● | 1 | | |
| RAC18AHLHSR | Real STSS | L | Pro | | | ● | 1 | | | | | | | ● | 1 | ● | 1 | | |
| RAC18AHRHSR | Real STSS | R | Pro | ● | 1 | | | | | | | | | ● | 1 | ● | 1 | | |
| RAC24AHLHSR | Real STSS | L | Pro | | | ● | 1 | | | | | | | ● | 1 | ● | 1 | | |
| RAC24AHRHSR | Real STSS | R | Pro | ● | 1 | | | | | | | | | ● | 1 | ● | 1 | | |
| RAC30AHLHSR | Real STSS | L | Pro | | | ● | 1 | | | | | | | ● | 1 | ● | 1 | | |
| RAC30AHRHSR | Real STSS | R | Pro | ● | 1 | | | | | | | | | ● | 1 | ● | 1 | | |
| RAC36AHLHSR | Real STSS | L | Pro | | | ● | 1 | | | | | | | ● | 1 | ● | 1 | | |
| RAC36AHRHSR | Real STSS | R | Pro | ● | 1 | | | | | | | | | ● | 1 | ● | 1 | | |
| RAF36AMAAMS | Modern Graphite | All | Modern | ● | 1 | ● | 1 | ● | 1 | | | | | ● | 1 | ● | 3 | | |
| RAF36AHAASR | Real STSS | All | Pro | ● | 1 | ● | 1 | ● | 1 | | | | | ● | 1 | ● | 3 | | |
| RAF36AMAASR | Real STSS | All | Modern | ● | 1 | ● | 1 | ● | 1 | | | | | ● | 1 | ● | 3 | | |
| RAT42AMAAMS | Modern Graphite | All | Modern | ● | 1 | ● | 1 | ● | 1 | ● | 1 | | | ● | 1 | ● | 2 | ● | 2 |
| RAT42AMAASR | Real STSS | All | Modern | ● | 1 | ● | 1 | ● | 1 | ● | 1 | | | ● | 1 | ● | 2 | ● | 2 |
| RAT42AHAASR | Real STSS | All | Pro | ● | 1 | ● | 1 | ● | 1 | ● | 1 | | | ● | 1 | ● | 2 | ● | 2 |

5. Accessory package

| Acc. Code | CMF Color | Hinge | Handle | Accessory Package | | | | | | | | | | | | | |
|-------------|-----------------|-------|--------|--------------------|------|-------------------|------|---------------------|------|--------------------|------|----------|------|---------------|------|----------------|------|
| | | | | Panel Right Fridge | Q'ty | Panel Left Fridge | Q'ty | Panel Right Freezer | Q'ty | Panel Left Freezer | Q'ty | Toe Kick | Q'ty | Handle Fridge | Q'ty | Handle Freezer | Q'ty |
| RAW24AMRHMS | Modern Graphite | R | Modern | ● | 1 | | | | | | | ● | 1 | ● | 1 | | |
| RAW24AMRHSR | Real STSS | R | Modern | ● | 1 | | | | | | | ● | 1 | ● | 1 | | |
| RAW24AMLHMS | Modern Graphite | L | Modern | | | ● | 1 | | | | | ● | 1 | ● | 1 | | |
| RAW24AMLHSR | Real STSS | L | Modern | | | ● | 1 | | | | | ● | 1 | ● | 1 | | |
| RAW24AHLHSR | Real STSS | L | Pro | | | ● | 1 | | | | | ● | 1 | ● | 1 | | |
| RAW24AHRHSR | Real STSS | R | Pro | ● | 1 | | | | | | | ● | 1 | ● | 1 | | |

1) Door panel specification

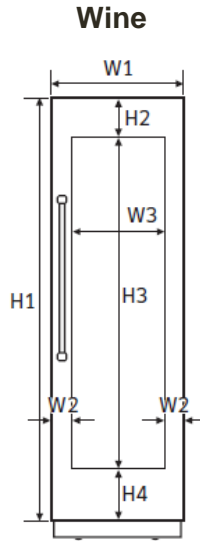
Refrigeration appliance is designed to be equipped with a decorative door panel. A panel can be custom-made or purchased as a Stainless Steel accessory. The table below illustrates the dimensions of the Stainless Steel panel accessories and can be used as a guide in creating custom panels.



| | COLUMN | | | | FDR | T |
|------------------|---------------------|---------------------|---------------------|---------------------|-------------------------|-----------------------|
| Callout | 18" | 24" | 30" | 36" | 36" | 42" |
| W1 | 17 3/4" (451 mm) | 23 3/4" (603 mm) | 29 3/4" (756 mm) | 35 3/4" (908 mm) | - | - |
| W2 | - | | | | 17 3/4" (450 mm) | - |
| W3 | - | | | | 35 3/4" (908 mm) | - |
| W4 | - | | | | - | 20 25/32" (528 mm) |
| H1 | 79 7/8" (2,029 mm) | | | | - | |
| H2 | - | | | | 49 3/16" (1249 mm) | |
| H3 | - | | | | 30 9/16" (776 mm) | |
| G1 | - | | | | 3/16" (5 mm) | 5/32" (4 mm) |
| G2 | - | | | | 5/32" (4 mm) | |
| Panel Thickness | 3/4" (19 mm) | | | | | |
| Panel Max Weight | 55.0lb (25kg) | | | | Fridge : 55.0lb (25kg) | |
| | | | | | Freezer : 22.0lb (10kg) | |

1) Door panel specification



Refrigeration appliance is designed to be equipped with a decorative door panel. A panel can be custom-made or purchased as a Stainless Steel accessory. The table below illustrates the dimensions of the Stainless Steel panel accessories and can be used as a guide in creating custom panels.



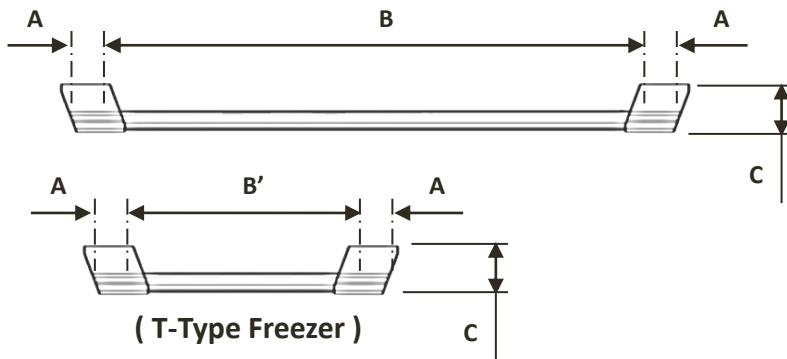
| | Wine |
|------------------|------------------------|
| Callout | 24" |
| W1 | 23 3/4" (603 mm) |
| W2 | 3 9/32" (83.5 mm) |
| W3 | 17 5/32" (436 mm) |
| H1 | 79 7/8" (2,029 mm) |
| H2 | 7 23/32" (196 mm) |
| H3 | 62 25/32" (1,594.5 mm) |
| H4 | 9 3/8" (238.5 mm) |
| Panel Thickness | 3/4" (19 mm) |
| Panel Max Weight | 55.0lb (25kg) |

2) Handle style & specification

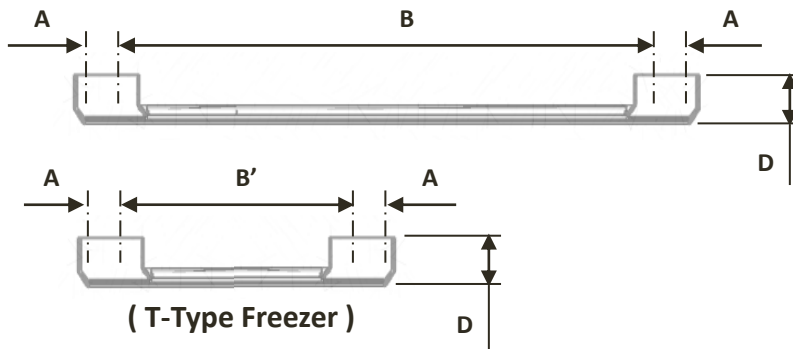
Pro Handle (silver), Modern Handle (silver or black)

| | |
|-----------------|--|
| PRO – HANDLE |  |
| MODERN - HANDLE |  |

[PRO HANDLE]

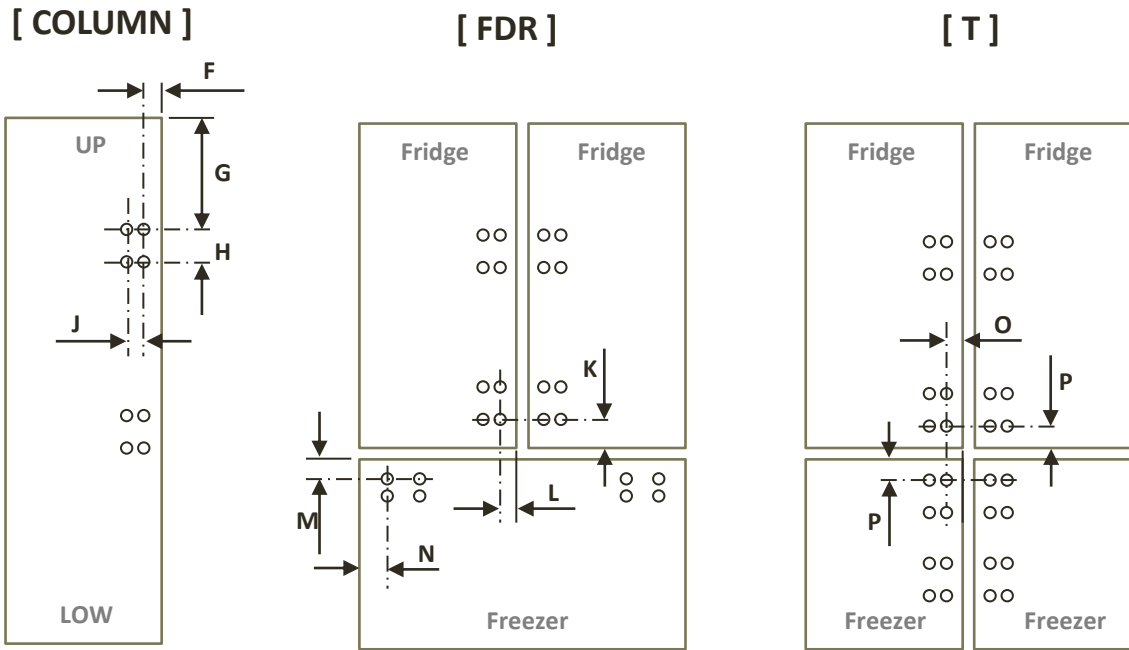


[MODERN HANDLE]



| Callout | Dimension |
|---------|---------------------|
| A | 1 29/32" (48.3 mm) |
| B | 28 1/16" (712.6 mm) |
| B' | 11 5/16" (287.2 mm) |
| C | 2 1/2" (63.5 mm) |
| D | 1 7/8" (48.0 mm) |

Dacor Handle Position



| Callout | Dimension | Callout | Dimension |
|---------|--------------------|---------|--------------------|
| F | 1 1/8" (28.5 mm) | L | 1 3/32" (27.5 mm) |
| G | 16 3/4" (425.2 mm) | M | 1 11/16" (43.2 mm) |
| H | 1 29/32" (48.3 mm) | N | 1 15/16" (49.5 mm) |
| J | 9/16" (14.2 mm) | O | 1 3/32" (27.5 mm) |
| K | 1 31/32" (50.2 mm) | P | 1 1/4" (31.8 mm) |

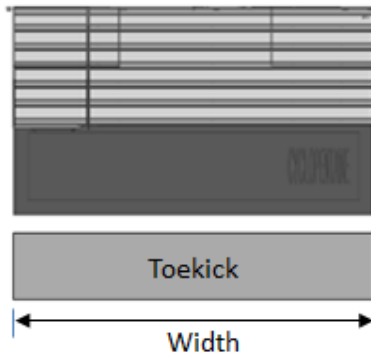
PANEL_LEFT HINGE

* PANEL_RIGHT HINGE is symmetry PANEL_LEFT HINGE

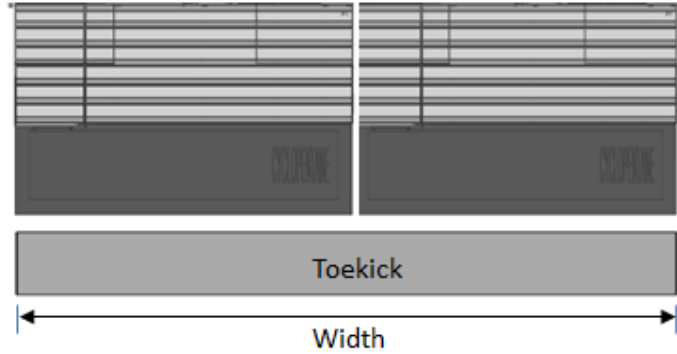
3) Toe kick plate style

Toe Kick plate STS (Silver or Black)

Single Installation



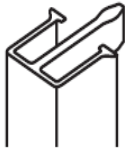


Pair Installation



| Type | Cutout Size | Toe kick Size | | |
|---------------------|-------------|---------------------|--------------------|--------------------|
| | | Thickness | Height | Width |
| Single Installation | 18" | Max 1/8" (3mm) | 3 25/32" (96mm) | 17 3/4" (451 mm) |
| | 24" | | | 23 25/32" (604 mm) |
| | 30" | | | 29 3/4" (756 mm) |
| | 36" | | | 35 25/32" (909 mm) |
| | 42" | | | 41 3/8" (1051 mm) |
| Pair Installation | 42" | | | 41 7/8" (1064 mm) |
| | 48" | | | 47 7/8" (1216 mm) |
| | 54" | 53 27/32" (1368 mm) | | |
| | 60" | 59 27/32" (1520 mm) | | |
| | 66" | 65 7/8" (1673 mm) | | |
| | 72" | 71 7/8" (1826 mm) | | |

4) Pair Installation Kit

Trim center and Lever and Bracket up / low

| | |
|-------------|--|
| TRIM CENTER |  |
| LEVER |  |
| BRACKET | <p data-bbox="591 788 625 815">UP</p> <p data-bbox="965 788 1025 815">LOW</p>  |

18-Inch Column - Freezer

DRZ18980LAP / DRZ18980RAP



| | | | |
|-----------------|--------------------|-------------|------------------------------|
| Cabi | Metal Liner | Cabinet | Stainless Steel |
| | | Multi Cover | Stainless Steel |
| | Box material / EA | | Stainless Steel / 3EA |
| | Shelf | | Glass(2), Metal(1) |
| | Lighting | | 3 sided LED |
| | Ice Maker | Standard | ● |
| Cocktail | | ● (삭제) | |
| Precise Cooling | | | ● |
| Control Panel | | | Silver Glass + White LED |
| Door | Panel material | | Stainless Steel |
| | Guard material /EA | | AL Die Casting + Glass / 4EA |
| Smart | Wifi (LTE) Module | | ● |
| | Smart Camera | | - |

SPECIFICATION

| | |
|--------------------------|-----------------------|
| Total Capacity (cu. ft.) | 9.5 |
| Product Width | 17 3/4" |
| Product Height | 83 3/8" |
| Product Depth | 25" |
| Cutout Width | 18" |
| Cutout Height | 84" |
| Cutout Depth | 25" |
| Energy | E-Star |
| Electrical Supply | 115V/15A |
| Power Cord Included | 115V 3-prong |
| Net Weight (lbs) | 357 lbs (panel ready) |

24-Inch Column - Freezer

DRZ24980LAP / DRZ24980RAP



| | | | |
|-----------------|--------------------|-------------|------------------------------|
| Cabi | Metal Liner | Cabinet | Stainless Steel |
| | | Multi Cover | Stainless Steel |
| | Box material / EA | | Stainless Steel / 3EA |
| | Shelf | | Glass(2), Metal(1) |
| | Lighting | | 3 sided LED |
| | Ice Maker | Standard | ● |
| Cocktail | | ● | |
| Precise Cooling | | | ● |
| Control Panel | | | Silver Glass + White LED |
| Door | Panel material | | Stainless Steel |
| | Guard material /EA | | AL Die Casting + Glass / 4EA |
| Smart | Wifi (LTE) Module | | ● |
| | Smart Camera | | - |

SPECIFICATION

| | |
|--------------------------|-----------------------|
| Total Capacity (cu. ft.) | 13.6 |
| Product Width | 23 3/4" |
| Product Height | 83 3/8" |
| Product Depth | 25" |
| Cutout Width | 24" |
| Cutout Height | 84" |
| Cutout Depth | 25" |
| Energy | E-Star |
| Electrical Supply | 115V/15A |
| Power Cord Included | 115V 3-prong |
| Net Weight (lbs) | 434 lbs (panel ready) |

30-Inch Column - Freezer

DRZ30980LAP / DRZ30980RAP



| | | | |
|-----------------|--------------------|-------------|------------------------------|
| Cabi | Metal Liner | Cabinet | Stainless Steel |
| | | Multi Cover | Stainless Steel |
| | Box material / EA | | Stainless Steel / 3EA |
| | Shelf | | Glass(2), Metal(1) |
| | Lighting | | 3 sided LED |
| | Ice Maker | Standard | ● |
| Cocktail | | ● | |
| Precise Cooling | | | ● |
| Control Panel | | | Silver Glass + White LED |
| Door | Panel material | | Stainless Steel |
| | Guard material /EA | | AL Die Casting + Glass / 4EA |
| Smart | Wifi (LTE) Module | | ● |
| | Smart Camera | | - |

SPECIFICATION

| | |
|--------------------------|-----------------------|
| Total Capacity (cu. ft.) | 17.6 |
| Product Width | 29 3/4" |
| Product Height | 83 3/8" |
| Product Depth | 25" |
| Cutout Width | 30" |
| Cutout Height | 84" |
| Cutout Depth | 25" |
| Energy | E-Star |
| Electrical Supply | 115V/15A |
| Power Cord Included | 115V 3-prong |
| Net Weight (lbs) | 483 lbs (panel ready) |

36-Inch Column - Freezer

DRZ36980LAP / DRZ36980RAP



| | | | |
|-----------------|--------------------|--------------------------|------------------------------|
| Cabi | Metal Liner | Cabinet | Stainless Steel |
| | | Multi Cover | Stainless Steel |
| | Box material / EA | | Stainless Steel / 3EA |
| | Shelf | | Glass(2), Metal(1) |
| | Lighting | | 3 sided LED |
| | Ice Maker | Standard | ● |
| | | Cocktail | ● |
| Precise Cooling | | ● | |
| Control Panel | | Silver Glass + White LED | |
| Door | Panel material | | Stainless Steel |
| | Guard material /EA | | AL Die Casting + Glass / 4EA |
| Smart | Wifi (LTE) Module | | ● |
| | Smart Camera | | - |

SPECIFICATION

| | |
|--------------------------|-----------------------|
| Total Capacity (cu. ft.) | 21.4 |
| Product Width | 35 3/4" |
| Product Height | 83 3/8" |
| Product Depth | 25" |
| Cutout Width | 36" |
| Cutout Height | 84" |
| Cutout Depth | 25" |
| Energy | E-Star |
| Electrical Supply | 115V/15A |
| Power Cord Included | 115V 3-prong |
| Net Weight (lbs) | 534 lbs (panel ready) |

24-Inch Column – Fridge

DRR24980RAP / DRR24980LAP



| | | | |
|-----------------|--------------------|-------------|------------------------------|
| Cabi | Metal Liner | Cabinet | Stainless Steel |
| | | Multi Cover | Stainless Steel |
| | Box material / EA | | Stainless Steel / 3EA |
| | Shelf | | Glass(3), Metal(1) |
| | Lighting | | 3 sided LED |
| Deodorizer | | | ● |
| Precise Cooling | | | ● |
| Control Panel | | | Silver Glass + White LED |
| Door | Panel material | | Stainless Steel |
| | Guard material /EA | | AL Die Casting + Glass / 4EA |
| Smart | Wifi (LTE) Module | | ● |
| | Smart Camera | | ● |

SPECIFICATION

| | |
|--------------------------|-----------------------|
| Total Capacity (cu. ft.) | 13.7 |
| Product Width | 23 3/4" |
| Product Height | 83 3/8" |
| Product Depth | 25" |
| Cutout Width | 24" |
| Cutout Height | 84" |
| Cutout Depth | 25" |
| Energy | E-Star |
| Electrical Supply | 115V/15A |
| Power Cord Included | 115V 3-prong |
| Net Weight (lbs) | 417 lbs (panel ready) |

30-Inch Column - Fridge

DRR30980RAP / DRR30980LAP



| | | | |
|-----------------|--------------------|-------------|------------------------------|
| Cabi | Metal Liner | Cabinet | Stainless Steel |
| | | Multi Cover | Stainless Steel |
| | Box material / EA | | Stainless Steel / 3EA |
| | Shelf | | Glass(3), Metal(1) |
| | Lighting | | 3 sided LED |
| Deodorizer | | | ● |
| Precise Cooling | | | ● |
| Control Panel | | | Silver Glass + White LED |
| Door | Panel material | | Stainless Steel |
| | Guard material /EA | | AL Die Casting + Glass / 4EA |
| Smart | Wifi (LTE) Module | | ● |
| | Smart Camera | | ● |

SPECIFICATION

| | |
|--------------------------|-----------------------|
| Total Capacity (cu. ft.) | 17.8 |
| Product Width | 29 3/4" |
| Product Height | 83 3/8" |
| Product Depth | 25" |
| Cutout Width | 30" |
| Cutout Height | 84" |
| Cutout Depth | 25" |
| Energy | E-Star |
| Electrical Supply | 115V/15A |
| Power Cord Included | 115V 3-prong |
| Net Weight (lbs) | 470 lbs (panel ready) |

36-Inch Column - Fridge

DRR36980RAP / DRR36980LAP



| | | | |
|-----------------|--------------------|-------------|------------------------------|
| Cabi | Metal Liner | Cabinet | Stainless Steel |
| | | Multi Cover | Stainless Steel |
| | Box material / EA | | Stainless Steel / 3EA |
| | Shelf | | Glass(3), Metal(1) |
| | Lighting | | 3 sided LED |
| Deodorizer | | | ● |
| Precise Cooling | | | ● |
| Control Panel | | | Silver Glass + White LED |
| Door | Panel material | | Stainless Steel |
| | Guard material /EA | | AL Die Casting + Glass / 4EA |
| Smart | Wifi (LTE) Module | | ● |
| | Smart Camera | | ● |

SPECIFICATION

| | |
|--------------------------|-----------------------|
| Total Capacity (cu. ft.) | 21.6 |
| Product Width | 35 3/4" |
| Product Height | 83 3/8" |
| Product Depth | 25" |
| Cutout Width | 36" |
| Cutout Height | 84" |
| Cutout Depth | 25" |
| Energy | E-Star |
| Electrical Supply | 115V/15A |
| Power Cord Included | 115V 3-prong |
| Net Weight (lbs) | 527 lbs (panel ready) |

36-Inch French Door

DRF367500AP



| | | | | |
|---------|--------------------|-------------------|------------------|--------------------------|
| Fridge | Cabi | Metal Liner | Cabinet | Stainless Steel |
| | | | Multi Cover | Stainless Steel |
| | | Pantry | | -1/3/5°C |
| | | Box material / EA | | Stainless Steel / 3EA |
| | | Shelf | | Glass(2), Metal(1) |
| | | Deodorizer | | ● |
| | | Lighting | | 3 sided LED |
| | | Precise Cooling | | ● |
| | | Control Panel | | Silver Glass + White LED |
| | | Door | Panel material | |
| | Guard material /EA | | SAN (Grey) / 6EA | |
| Freezer | Cabi | Metal Liner | Cabinet | Stainless Steel |
| | | Box material / EA | | Stainless Steel / 2EA |
| | | Lighting | | Top LED |
| | | Ice Maker | Standard | ● |
| | Cocktail | | ● | |
| | | Precise Cooling | | ● |
| | Door | Panel material | | Stainless |
| Smart | Wifi (LTE) Module | | ● | |
| | Smart Camera | | - | |

SPECIFICATION

| | |
|--------------------------|-----------------------|
| Total Capacity (cu. ft.) | 21.3 |
| Product Width | 35 3/4" |
| Product Height | 83 3/8" |
| Product Depth | 25" |
| Cutout Width | 36" |
| Cutout Height | 84" |
| Cutout Depth | 25" |
| Energy | E-Star |
| Electrical Supply | 115V/15A |
| Power Cord Included | 115V 3-prong |
| Net Weight (lbs) | 562 lbs (panel ready) |

24-Inch Wine Cellar

DRW24980RAP / DRW24980LAP

| PRODUCTION/ OPERATION | | NEW |
|-----------------------|--|--|
| Dimension | 83 3/8" x 35 3/4" x 23 13/16" | |
| Color | Door: Panel Ready | |
| Actual Capacity | Total: Max 100 | |
| (Net ℓ) | Upper / Mid / Lower zone | Triple zone |
| | Energy | Non Standard Product 285 kWh/yr |
| Technology | Cooling Technology | Triple Cooling |
| | Precise Cooling | ±0.2°C (0.3°F) |
| | Metal Cooling (Duct) | Yes |
| Smart | Wi-Fi / RM Function | Yes / SmartThings |
| Exterior Design | Door Shape | Panel Ready (STS Silver, Matt Black) |
| Hinge | Left / Right | |
| Handles Color: | Handle Design | Modern (Aluminum) |
| Display | Display Location | Inner (Hidden) |
| | Digital Display | COLOR Touch + White LED |
| | Etc Door Alarm (2m) / Child Lock /Sabbath Mode | |
| Refrigerator: | Interior Meterial / Color | Stainless steel |
| | Deodorizer | 3ea |
| Shelves | Quantity | 11ea |
| | Material of Shelf | Wood (Oak) stained and coated |
| | Rail | Full extension shelf * Except present shelf |
| Door | Mounting Type | Panel Ready |
| | Glass | Triplex glass + argon gas + Low-e coat |
| | Push to Open | Yes |
| | Manual Door Lock | No |
| Lighting System | Interior Light | Tunnel LED with Dimming (Manual 3 step) |
| | Presenter lighting | Yes (Manual 3 step) |

SPECIFICATION

| | |
|--------------------------|-----------------------|
| Total Capacity (cu. ft.) | Max 100 Bottle |
| Product Width | 23 3/4" |
| Product Height | 83 3/8" |
| Product Depth | 25" |
| Cutout Width | 24" |
| Cutout Height | 84" |
| Cutout Depth | 25" |
| Energy | - |
| Electrical Supply | 115V/15A |
| Power Cord Included | 115V 3-prong |
| Net Weight (lbs) | 408 lbs (panel ready) |