



36" STAINLESS STEEL ISLAND CHIMNEY HOODS

DHI361+DHICH | HERITAGE COLLECTION



GENERAL PROPERTIES

FINISH: STAINLESS STEEL

OPTIONAL ACCESSORIES

RECIRCULATION KIT FOR DHI361: AVD11

NUMBER OF MOTORS

(1) SINGLE BLOWER: 600 CFM

TECHNICAL INFORMATION

CIRCUIT REQUIREMENTS: 120VAC, 15AMP, GROUNDED DEDICATED, 3-WIRE CIRCUIT

TOTAL CONNECTED LOAD: 120VAC/60HZ

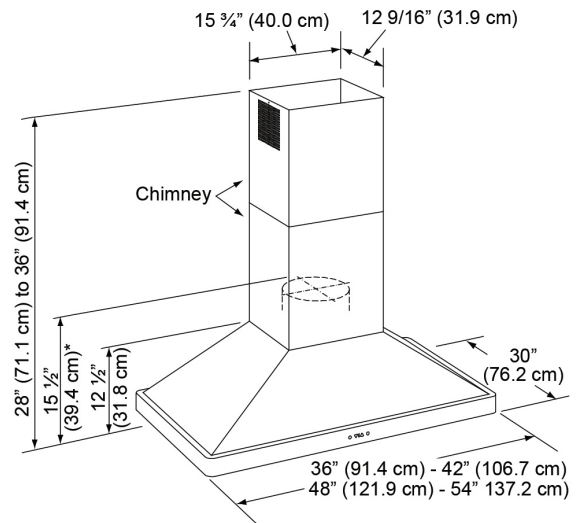
MAX CURRENT DRAW: 3.8 AMPS

SHIPPING WEIGHT: 142 LBS

PRODUCT DIMENSIONS

ISLAND DIMENSIONS (H X W X D) (IN.): 28"-36" X 36" X 30"

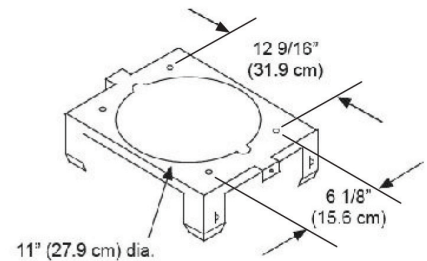
DHICH / DHI MODEL



FEATURES & BENEFITS

- 8" diameter exhaust. Can accommodate up to a 10" duct.
- Squirrel cage style blower. 4 blower speeds.
- Auto off setting after 4 hours.
- Blue illuminated electronic control panel.
- 10 minute Timer (motor runs for 10 minutes and then automatically shuts off).
- 20 watt halogen lights (can be used w/ 10, 20, or 30w bulbs)
- Easy-to-clean Baffle Filter System, dishwasher safe.
- Must order both DHICH and DHI model numbers

DHICH CEILING MOUNTING BRACKET



**Warranty: Limited, parts and labor for one year