



# Monitor Series

[monitordaudio.com](http://monitordaudio.com)







## Feel the vibe

### Classic Monitor Audio loudspeaker design – with a playful twist

The Monitor Series is a beautifully designed family of speakers that delivers Monitor Audio's renowned sound quality. Their orange driver cones offer a contemporary focus to the sleek proportions and bring fun and functionality across the range.

Utilising a black C-CAM dome tweeter derived from Monitor Audio's award-winning Bronze series, with a creative use of the drivers' configuration, the speakers are tuned to deliver class leading performance.

With a choice of bookshelf or floorstanding speakers, a powerful centre and subwoofer, the Monitor Series delivers detailed audio resolution in both two-channel and multi-channel configurations.

The speakers feature all the class and style expected from Monitor Audio and are finished in a choice of black, white or walnut. The detailed design and construction has produced a range of speakers that will look aesthetically pleasing wherever they are placed.

Monitor Audio has always taken great pride in creating speakers that elevate the value/performance proposition, and this is clearly delivered by the new Monitor Series.



# Monitor overview

## The Monitor Series has a speaker for every situation.

### Bookshelf speakers

The two bookshelf speakers in the Monitor Series feature a strikingly compact form and will sit beautifully on any cabinet, shelf or stand.

### Floorstanding speakers

The Monitor floorstanding speakers offer a stylish addition to any room and deliver a rich and powerful sound.

### Surround sound

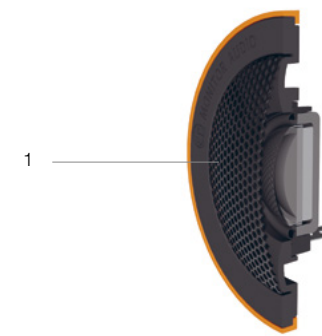
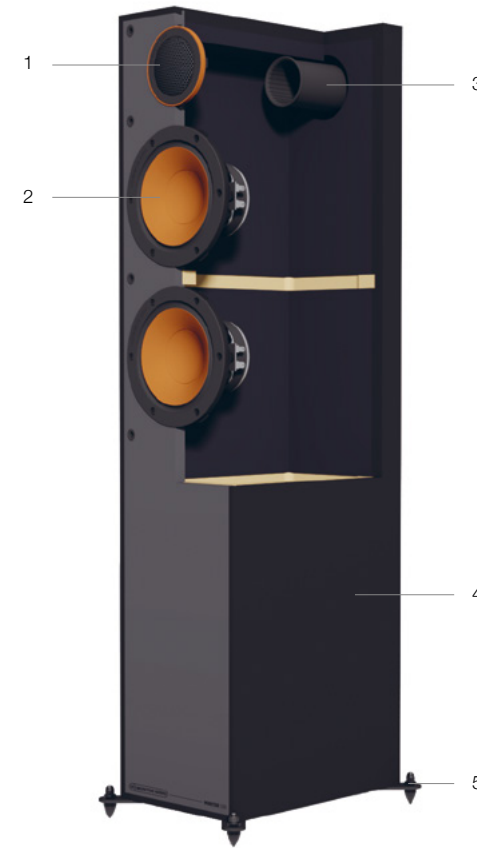
The combination of speakers in a Monitor Series AV system produces a totally immersive sound and the speakers seamlessly integrate to create an irresistible home cinema experience.



# Monitor features

## Key features

- Classic Monitor Audio speaker design with a playful twist
- Orange translucent MMP II (Metal Matrix Polymer) driver cones – adds a stylish touch
- High overall impedance (8 ohms) – easy to drive with lower power amplifiers
- Black C-CAM (Ceramic-Coated Aluminium Magnesium) dome tweeter – derived from Monitor Audio's award-winning Bronze series (1)
- Creative use of 5 1/2" and 6 1/2" drivers have delivered; A compact bookshelf and floorstand model together with larger bookshelf and floorstander to complement larger rooms and higher power applications (2)
- HiVe II (High Velocity, Low Noise Reflex Port) technology – for an improved transient response and tighter bass, due to smoother airflow (3)
- Black, white or a walnut wood finish, with contrasting grey baffle (4)
- Outrigger feet on floorstanding models deliver a sleeker appearance, takes up less floor space and improves stability (5)



# Bookshelf speakers

## Monitor 50



The Monitor 50 is a compact speaker designed to look stunning in a bookshelf type environment. The usual rectangular cabinet profile has been replaced with a striking square cabinet which houses the single 5<sup>1/2</sup>" MMP II driver and a 25 mm black C-CAM tweeter. Whilst the cabinet is rear ported, the output is well-damped and is suitable for positioning close to a wall. A single set of high-quality gold-plated binding posts provide the connections for an amplifier.

## Monitor 100

The larger Monitor 100 is a beautifully proportioned bookshelf/standmount speaker. To maintain the compact proportions, the cabinet is again rear ported. The driver size steps up to a 6<sup>1/2</sup>" MMP II bass driver and is complemented by a 25 mm black C-CAM tweeter. The Monitor 100 has two sets of binding post terminals, to facilitate bi-wiring or even a bi-amp set up.



# Floorstanding speakers

## Monitor 200



The slender Monitor 200 is the smallest floorstander in the range and is designed to deliver a stunning sound in small to medium sized rooms. Two 5<sup>1/2</sup>" MMP II drivers are housed in separate cavities and each driver has different tuning to optimise the small cabinet air load for a premium performance. The twin drivers operate together at bass frequencies to provide powerful, punchy bass lines, whilst only the top driver is crossed over to the black C-CAM tweeter higher up in frequency resulting in perfect phase. The Monitor 200 has all the precision of a two-way speaker, with the addition of an extra bass driver for scale and power.

## Monitor 300

The Monitor 300 houses three 6<sup>1/2</sup>" MMP II bass drivers: two dedicated to bass and one to mid-range frequencies. The increased driver and cabinet size deliver the scale and punch that is recommended for optimum performance in medium to large rooms. The dedicated mid-range driver delivers the clarity and precision expected from a serious hi-fi speaker, but adds in the necessary fun factor when called upon to create an immersive cinema experience. The Monitor 300 is a true all-rounder.





# Centre channel and Subwoofer



## Monitor C150

The compact Monitor C150 centre is ideal for cabinets and shelves. The sealed enclosure ensures it can be positioned right up to a wall without any detrimental effects. Twin 5<sup>1/2</sup>" MMP II drivers work perfectly in tandem to give precise clarity to movie dialogue presentation.



## Monitor MRW-10

The powerful Monitor MRW-10 subwoofer houses a 10" long throw MMP II bass driver, capable of delivering thunderous bass down to below 30 Hz. The rear ported enclosure provides optimal output from the powerful 100 W class D power amplifier. The amplifier boasts many features dedicated to optimising a home theatre system. EQ settings provides a level of adjustment for room and tastes. All filters and features are controlled in the digital domain using an advanced DSP based architecture to provide the ultimate in flexibility and control.



# Monitor AV Systems

A Monitor Series AV system can deliver an immersive home cinema experience, whatever the size of room.

The C150 centre speaker sonically matches and combines with the front and rear speakers of your choice. The Monitor 50 can create a nice 'bijou' system, the Monitor 100 delivers a compellingly detailed soundstage, and the Monitor 200 or 300 are only limited by your enthusiasm for an enthralling experience.

Underpinning this enveloping performance is the MRW-10 subwoofer providing the deep bass weight and rumble.

Whatever Monitor Series AV system you choose it brings music and movies to life. Voices are naturally clear, instruments are expressive and full of rhythm, and the bass is deep and authoritative. Film soundtracks and musical recordings are reproduced as they were meant to be heard.



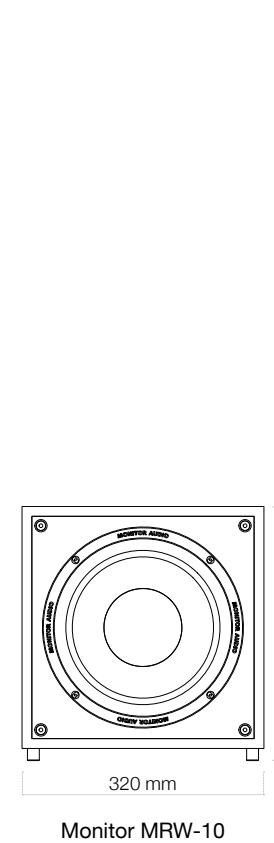
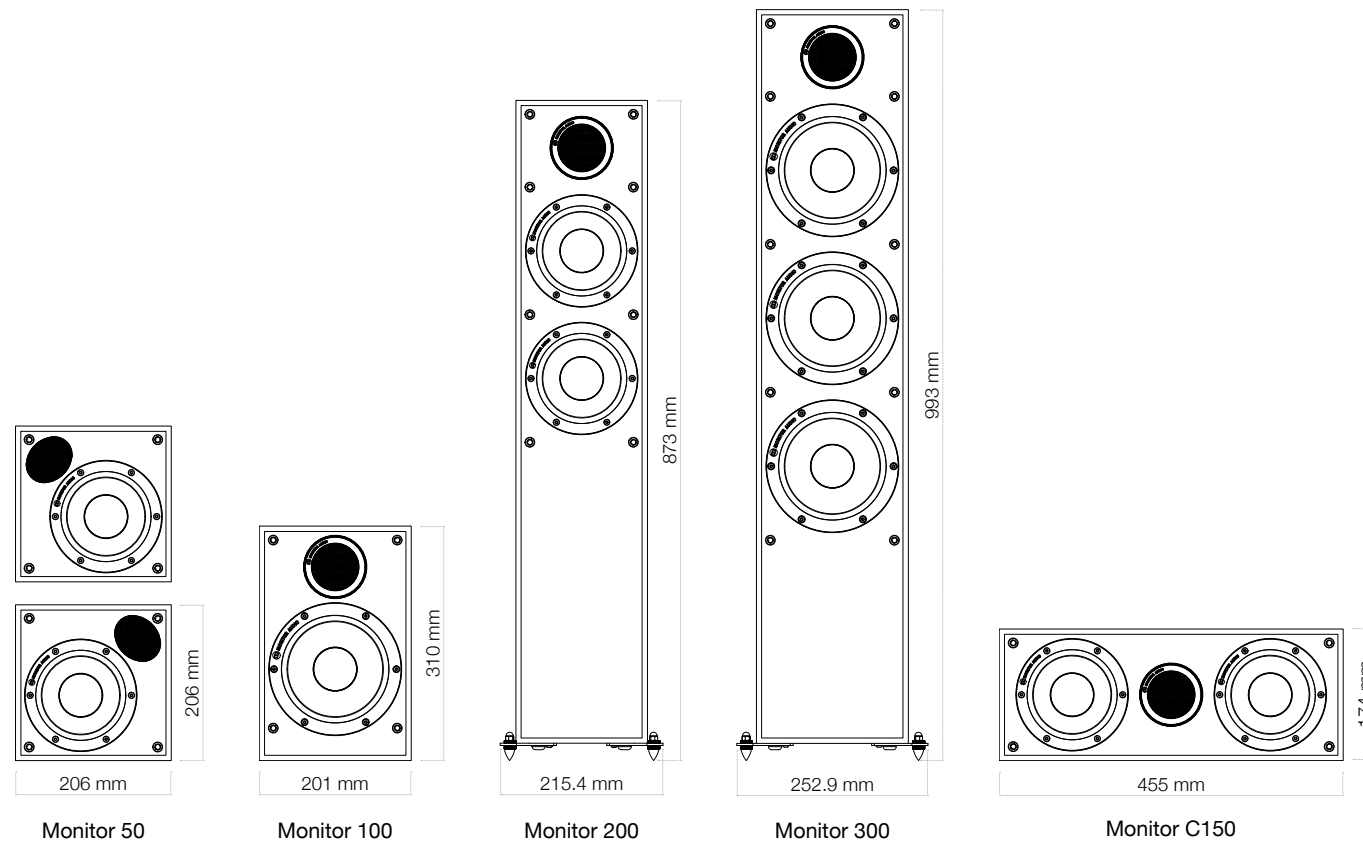
# Specifications

Model	Monitor 50	Monitor 100	Monitor 200	Monitor 300	Monitor C150
System Format	2 Way	2 Way	2 <sup>1</sup> / <sub>2</sub> Way	2 <sup>1</sup> / <sub>2</sub> Way	2 Way
Frequency Response	55 Hz – 30 kHz	44 Hz – 30 kHz	40 Hz – 30 kHz	35 Hz – 30 kHz	60 Hz – 30 kHz
Sensitivity (1W@1M)	87 dB	88 dB	88 dB	90 dB	88 dB
Nominal Impedance	8 ohms	8 ohms	8 ohms	8 ohms	8 ohms
Maximum SPL (Pair)	109 dBA	111 dBA	112 dBA	115 dBA	111 dBA
Power Handling (RMS)	70 W	100 W	120 W	150 W	100 W
Recommended Amplifier Requirements (RMS)	15 – 70 W	30 – 100 W	30 – 120 W	40 – 150 W	20 – 100 W
Cabinet Design	Rear ported bass reflex with HiVe II port technology	Rear ported bass reflex with HiVe II port technology	Dual chamber, rear ported bass reflex with HiVe II port technology	Dual chamber, rear ported bass reflex with HiVe II port technology	Sealed cabinet
Drive Unit Complement	1 x 5 <sup>1</sup> / <sub>2</sub> " MMP II bass mid-range, 1 x 25 mm black C-CAM tweeter	1 x 6 <sup>1</sup> / <sub>2</sub> " MMP II bass mid-range, 1 x 25 mm black C-CAM tweeter	1 x 5 <sup>1</sup> / <sub>2</sub> " MMP II bass, 1 x 5 <sup>1</sup> / <sub>2</sub> " MMP II bass mid-range, 1 x 25 mm black C-CAM tweeter	2 x 6 <sup>1</sup> / <sub>2</sub> " MMP II bass, 1 x 6 <sup>1</sup> / <sub>2</sub> " MMP II bass mid-range, 1 x 25 mm black C-CAM tweeter	2 x 5 <sup>1</sup> / <sub>2</sub> " MMP II bass mid-range, 1 x 25 mm black C-CAM tweeter
Crossover Frequency	2.8 kHz	3.3 kHz	LF: 650 Hz MF/HF: 2.2 kHz	LF: 700 Hz MF/HF: 3.3 kHz	3.9 kHz
External Dimensions H x W x D (inc grille)	206 x 206 x 237.8 mm 8 <sup>1</sup> / <sub>8</sub> x 8 <sup>1</sup> / <sub>8</sub> x 9 <sup>3</sup> / <sub>8</sub> "	310 x 201 x 298.3 mm 12 <sup>3</sup> / <sub>16</sub> x 7 <sup>15</sup> / <sub>16</sub> x 11 <sup>3</sup> / <sub>4</sub> "	850 x 174 x 299.3 mm 33 <sup>7</sup> / <sub>16</sub> x 6 <sup>7</sup> / <sub>8</sub> x 11 <sup>13</sup> / <sub>16</sub> "	970 x 201 x 299.3 mm 38 <sup>3</sup> / <sub>16</sub> x 7 <sup>15</sup> / <sub>16</sub> x 11 <sup>13</sup> / <sub>16</sub> "	174 x 455 x 187.8 mm 6 <sup>7</sup> / <sub>8</sub> x 17 <sup>15</sup> / <sub>16</sub> x 7 <sup>3</sup> / <sub>8</sub> "
External Dimensions H x W x D (inc grille and feet)	N/A	N/A	873 x 215.4 x 309.8 mm 34 <sup>3</sup> / <sub>8</sub> x 8 <sup>1</sup> / <sub>2</sub> x 12 <sup>3</sup> / <sub>16</sub> "	993 x 252.9 x 318.9 mm 39 <sup>1</sup> / <sub>8</sub> x 9 <sup>15</sup> / <sub>16</sub> x 12 <sup>9</sup> / <sub>16</sub> "	N/A
Product Weight	3.56 kg / 7 lb 14 oz	5.12 kg / 11 lb 4 oz	10.82 kg / 23 lb 12 oz	13.66 kg / 30 lb	5.40 kg / 11 lb 14 oz

Model	Monitor MRW-10
System Format	Rear ported bass reflex cabinet
Low Frequency Limit	30 Hz (-6 dB)
Upper Frequency Limit	Variable 50 – 120 Hz @ 24 dB/Octave
Amplifier Output	100 W RMS
Amplifier Classification	Class D with Switch mode PSU
Bass EQ Modes	Music / Movie / Impact
Phase Control	0 – 180°
Auto Sensing	>3.5 mV
Input Level requirements	Standby after approximately 15 minutes if no signal sensed
Drive Unit Complement	1 x 10" (250 mm) MMP II long throw driver
Input Impedance	>20 K ohms
Mains Input Voltage	110 – 120 Vac – 50 – 60 Hz 220 – 240 Vac – 50 – 60 Hz. Selectable
Fuse Specification	110 – 120 VAC – T4AL/250VAC 220 – 240 VAC – T4AL/250VAC
Connections	2 x Stereo RCA, 1 x LFE RCA connection, 12 V trigger (3.5 mm mono mini-jack)
External Dimensions H x W x D (inc grille and feet)	336 x 320 x 350.6 mm 13 <sup>1</sup> / <sub>4</sub> x 12 <sup>5</sup> / <sub>8</sub> x 13 <sup>13</sup> / <sub>16</sub> "
Standby Power Consumption	<0.5 W standby
Product Weight	10.54 kg / 23 lb 4 oz

## Monitor MRW-10 Key features

- 10" MMP II long throw subwoofer driver
- Rigid MDF cabinet with rear porting
- Powerful 100 W Class D power amplifier – high efficiency and punchy bass delivery
- Switch mode power supply, designed to deliver high continuous rating and provides the instantaneous delivery of high current when required
- DSP processing with all control features and crossover performed in the digital domain
- Three pre-set EQ mode settings. Music / Movie / Impact
- 12 V trigger – provides switching control from AV amp, processor, or home automation control system
- 18 mm thick MDF construction



Finishes: Black, White and Walnut  
E&OE. All colours approximate.



Monitor Audio distributes to over 80 countries worldwide.

Your personal audition awaits at your specially selected and trained Monitor Audio dealer.

Check our website for dealers near you. [monitoraudio.com](http://monitoraudio.com)

For more information email [info@monitoraudio.com](mailto:info@monitoraudio.com)

Additional technical details on the Monitor Series are available at [monitoraudio.com](http://monitoraudio.com)





**Monitor Audio Ltd**  
24 Brook Road, Rayleigh,  
Essex, SS6 7XJ, England  
T. + 44 (0)1268 740580  
F. + 44 (0)1268 740589  
E. [info@monitoraudio.com](mailto:info@monitoraudio.com)  
[monitoraudio.com](http://monitoraudio.com)