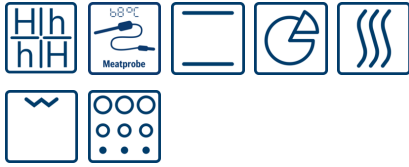


**Benchmark®, Induction Slide-in Range, Stainless steel HIIP056C**



**Included accessories**

1 x oven racks /upper  
1 x telescopic rack  
1 x temperature probe /upper

**Optional accessories**

HEZBS301 : Low Back Guard SIR Electric/ Induction  
HEZTR301 : Telescopic Oven Rack 30"

**The 30" Benchmark Induction Slide-in Range Combines FlexInduction® Technology with the Innovative Oven featuring a QuietClose™ Door.**

- FlexInduction® Combines Two Cooking Zones into One Continuous Surface.
- PowerMove™ - Divides FlexInduction® Into 3 Preset Power Level Zones. Simply Move the Cookware to Change the Power Level
- SpeedBoost® - Adds Even More Power to Speed Up the Cooking Process
- The Warming Drawer Keeps Everything You Cook Warm and Ready to Serve.
- Dampened Hinges Softly and Quietly Guide the QuietClose™ Door Shut.

**Technical Data**

Total number of cooktop burners :	4
Cooking mode :	3rd element convection, Convection Bake, Convection Broil, Convection Roast, Conventional heat, Dough proving setting, Half width variable grill, Pizza setting, Top heating, 1/3 bottom heat., warming, Warming drawer
Integrated Cleaning system :	Self Clean
Type of control :	Electronic
Included accessories :	1 x oven racks /upper, 1 x telescopic rack, 1 x temperature probe /upper
Sealed Burners :	No
Bake Element Wattages cavity 1 (W) :	2400
Broil Element Wattages cavity 1 (W) :	3800
Convection Element Wattages cavity 1 (W) :	2000
Number of gas burners :	0
Location of 1st heating element :	front left
Location of 2nd heating element :	center left
Location of 3rd heating element :	back left
Location of 4th heating element :	middle back
Location of 5th heating element :	back right
Location of 6th heating element :	center right
Display Color :	red, white
UPC code :	825225959779
Current (A) :	40
Volts (V) :	240/208
Frequency (Hz) :	60
Approval certificates :	CSA
Required cutout size (HxWxD) (in) :	30" width slide-in
Overall appliance dimensions (HxWxD) (in) :	36 1/2" x 31 1/2" x 28 7/8"
Variable cooker height (in) :	1 1/2"
AHAM volume (of cavity) - cavity 1 :	2
Product packaging dimensions (HxWxD) (in) :	43 3/4" x 34" x 31 1/2"
Net weight (lbs) :	258
Gross weight (lbs) :	258

## **Benchmark® , Induction Slide-in Range, Stainless steel HIIP056C**

### **The 30" Benchmark Induction Slide-in Range Combines FlexInduction® Technology with the Innovative Oven featuring a QuietClose™ Door.**

---

#### **Design**

- Touch Control for Easier Operation of the Oven

#### **Performance**

- 11 Specialized Cooking Modes - Gourmet Cooking Made Easy
- PreciseSelect® - Direct Cooking Level Selection (17 Settings)
- Temperature Conversion for Convection Cooking
- Genuine European Convection for Even Baking Results on Multiple Racks.
- Meat Probe Takes the Guesswork Out of Cooking

#### **Convenience**

- Each Cooking Zone Has an Independent Countdown Timer
- SafeStart - Ensures that Element is Only Activated, if Suitable Cookware is in Position; no Activation When Other Metal Objects are Placed on Element
- A Full-Extension Telescopic Rack Offers Better Access to the Oven Cavity.
- Fast Preheat Reduces Heating Time.
- Two Oven Lights to Better Monitor Cooking Progress
- Extra Large Door Window for Easy Monitoring of Cooking Process
- Star-K certified. Temperature range: 100° - 450° F

#### **Capacity**

- Large Capacity at 4.6 Cu Ft. Accommodates Most Pots and Pans
- Recessed 8 Pass Broil Element for Increased Capacity and Safety

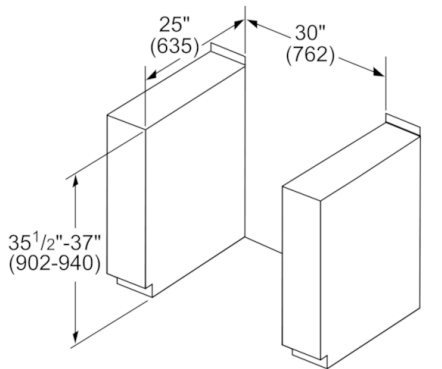
#### **Accessories Included**

- Use and Care Manual, Installation guide and Standard Rack

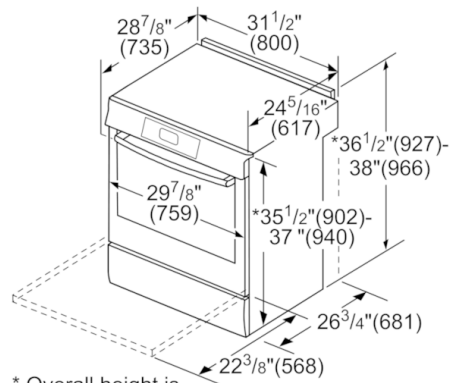
#### **Optional Accessories**

- HEZTR301 30" Telescopic Rack
- HEZBS301 - Low Back Guard, Induction

**Benchmark®**, Induction Slide-in Range,  
**Stainless steel**  
**HIIP056C**

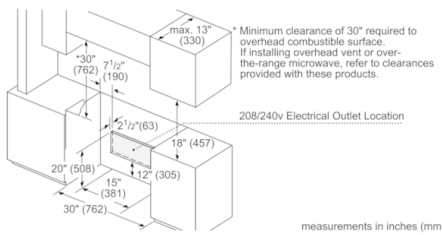


measurements in mm



\* Overall height is adjustable via leveling legs.

measurements in inches (mm)



measurements in inches (mm)