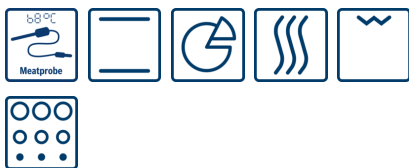


**Benchmark®, Electric Slide-in Range,
Stainless steel
HEIP056C**



Included accessories

- 1 x oven racks /upper
- 1 x telescopic rack
- 1 x temperature probe /upper

Optional accessories

- HEZBS301 : Low Back Guard SIR Electric/ Induction
- HEZTR301 : Telescopic Oven Rack 30"

The Newly Designed Full-depth Electric Slide-in Range Fits into Any Freestanding Range Cutout, and Offers a Flush Built-in Look.

- The New Bosch Slide-in Range Fits in Any Freestanding Range Cutout.
- Cook with a 6", 9" or 12" Element.
- Dampened Hinges Softly and Quietly Guide the QuietClose™ Door Shut.
- At 4.6 cu. ft., a Large Oven Capacity Accommodates Most Pots and Pans.
- A Full-Extension Telescopic Rack Offers Safe Access to the Oven Cavity.

Technical Data

Total number of cooktop burners :	5
Cooking mode :	3rd element convection, Convection Bake, Convection Broil, Convection Roast, Conventional heat, Dough proving setting, Half width variable grill, Pizza setting, Top heating, 1/3 bottom heat., warming, Warming drawer
Integrated Cleaning system :	Self Clean
Type of control :	Electronic
Knob Material :	Full metal
Included accessories :	1 x oven racks /upper, 1 x telescopic rack, 1 x temperature probe /upper
Sealed Burners :	No
Bake Element Wattages cavity 1 (W) :	2400
Broil Element Wattages cavity 1 (W) :	3800
Convection Element Wattages cavity 1 (W) :	2000
Number of gas burners :	0
Location of 1st heating element :	Flexible
Display Color :	red, white
UPC code :	825225959670
Current (A) :	40
Volts (V) :	240/208
Frequency (Hz) :	60
Approval certificates :	CSA
Required cutout size (HxWxD) (in) :	30" width slide-in
Overall appliance dimensions (HxWxD) (in) :	36 1/2" x 31 1/2" x 26 3/4"
Variable cooker height (in) :	1.5"
AHAM volume (of cavity) - cavity 1 :	2
Product packaging dimensions (HxWxD) (in) :	43 3/4" x 34" x 31 1/2"
Net weight (lbs) :	248
Gross weight (lbs) :	248

Benchmark®, Electric Slide-in Range, Stainless steel HEIP056C

**The Newly Designed Full-depth Electric
Slide-in Range Fits into Any Freestanding
Range Cutout, and Offers a Flush Built-in
Look.**

Design

- Touch Control for Easier Operation of the Oven
- Heavy-duty Metal Knobs for a Premium Look and Feel

Performance

- 11 Specialized Cooking Modes - Gourmet Cooking Made Easy
- Genuine European Convection for Even Baking Results on Multiple Racks.
- Temperature Conversion for Convection Cooking
- Meat Probe Takes Guesswork Out of Cooking
- Fast Preheat Reduces Preheat Time

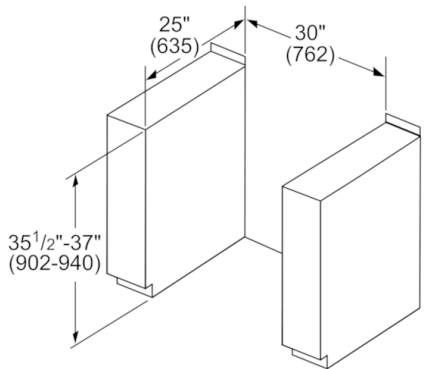
Convenience

- Warming Zone
- Two Oven Lights to Better Monitor Cooking Progress
- Kitchen Timer
- Extra Large Door Window for Easy Monitoring of Cooking Process
- Star-K certified. 100°-450° F

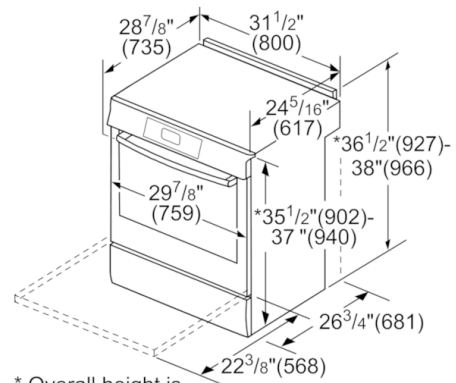
Capacity

- Large Capacity at 4.6 Cu Ft.
- Recessed 8 Pass Broil Element for Increased Capacity and Safety

Benchmark®, Electric Slide-in Range, Stainless steel HEIP056C

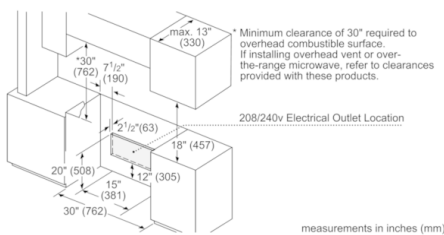


measurements in mm



* Overall height is adjustable via leveling legs.

measurements in inches (mm)



measurements in inches (mm)