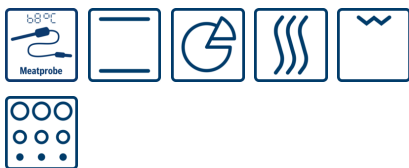


**Benchmark®, Dual Fuel Slide-in Range,
Stainless steel
HDIP056C**



Included accessories

1 x oven racks /upper
1 x nozzle set for liquid gas
1 x cast iron pan support
1 x telescopic rack
1 x temperature probe /upper

Optional accessories

HDZBS301 : Low Back Guard SIR Dual Fuel
HDZIT301 : Island Trim Kit,Dual-Fuel Slide-in Range
HEZ298102 : Wok ring
HEZGR301 : Griddle Accessory for Bosch Gas/DF SIR
HEZTR301 : Telescopic Oven Rack 30"

The Full-depth Dual Fuel Slide-in Range Fits into Any Freestanding Range Cutout, and Offers a Powerful Dual-stack Burner.

- The New Bosch Slide-in Range Fits in Any Freestanding Range Cutout.
- Powerful 20,000 BTU Center Burner Designed for Faster Boiling and Low Simmer.
- Dampened Hinges Softly and Quietly Guide the QuietClose™ Door Shut.
- A Full-Extension Telescopic Rack Offers Safe Access to the Oven Cavity.
- The Warming Drawer Keeps Everything You Cook Warm and Ready to Serve.

Technical Data

| | |
|--|---|
| Total number of cooktop burners : | 5 |
| Cooking mode : | , 3rd element convection, Convection Bake, Convection Broil, Convection Roast, Conventional heat, Dough proving setting, Half width variable grill, Pizza setting, Top heating, 1/3 bottom heat., warming, Warming drawer |
| Integrated Cleaning system : | Self Clean |
| Type of control : | Electronic |
| Knob Material : | Full metal |
| Included accessories : | |
| 1 x oven racks /upper, 1 x nozzle set for liquid gas, 1 x cast iron pan support, 1 x telescopic rack, 1 x temperature probe /upper | |
| Sealed Burners : | Yes |
| Number of Double grates : | 2 |
| Bake Element Wattages cavity 1 (W) : | 2400 |
| Convection Element Wattages cavity 1 (W) : | 2000 |
| Number of gas burners : | 5 |
| Location of 1st heating element : | front left |
| Power of 1st burner (BTU) : | 10000 |
| Location of 2nd heating element : | center left |
| Location of 3rd heating element : | back left |
| Power of 3rd burner (BTU) : | 5000 |
| Location of 4th heating element : | middle back |
| Location of 5th heating element : | back right |
| Power of 5th burner (BTU) : | 5000 |
| Location of 6th heating element : | center right |
| Display Color : | red, white |
| Safety device : | automatic reignition, Thermostat |
| UPC code : | 825225959717 |
| Gas type : | Natural gas 15 mbar (USA) |
| Alternative gas type : | Liquid gas 27,5 mbar (USA) |
| Natural Gas Connection Rating (BTU) : | 55000 |
| Current (A) : | 30 |
| Volts (V) : | 240/208 |
| Frequency (Hz) : | 60 |
| Approval certificates : | CSA |
| Required cutout size (HxWxD) (in) : | 30" width slide-in |
| Overall appliance dimensions (HxWxD) (in) : | 36 1/2" x 31 1/4" x 28 7/8" |
| Variable cooker height (in) : | 1" |
| AHAM volume (of cavity) - cavity 1 : | 2 |
| Product packaging dimensions (HxWxD) (in) : | 43 3/4" x 34" x 31 1/2" |
| Net weight (lbs) : | 243 |
| Gross weight (lbs) : | 243 |

Benchmark®, Dual Fuel Slide-in Range, Stainless steel HDIP056C

The Full-depth Dual Fuel Slide-in Range Fits into Any Freestanding Range Cutout, and Offers a Powerful Dual-stack Burner.

Design

- Touch Control for Easier Operation of the Oven
- Heavy-duty Metal Knobs for a Premium Look and Feel
- Low-profile Design for an Integrated Appearance
- Stainless Steel Maintop

Performance

- 11 Specialized Cooking Modes - Gourmet Cooking Made Easy
- Genuine European Convection for Even Baking Results on Multiple Racks.
- Temperature Conversion for Convection Cooking
- Meat Probe Takes Guesswork Out of Cooking
- Fast Preheat Reduces Preheat Time

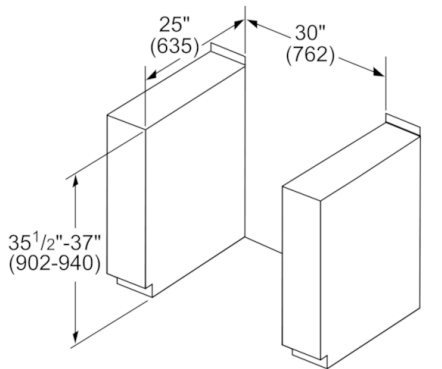
Convenience

- 5 Burners Add Flexibility to your Cooking
- Two Oven Lights to Better Monitor Cooking Progress
- Kitchen Timer
- Extra Large Door Window for Easy Monitoring of Cooking Process
- Star-K certified. 100°-450° F

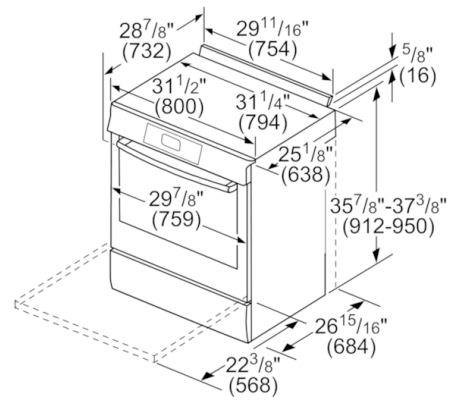
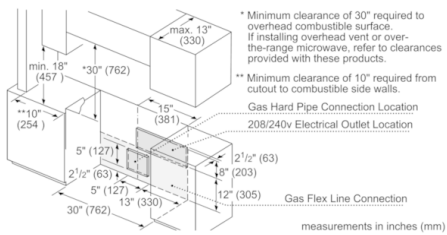
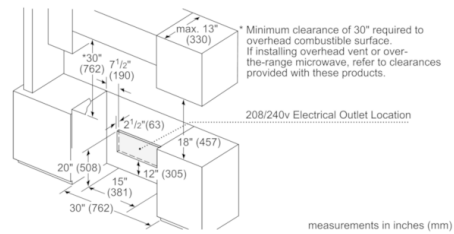
Capacity

- Large Capacity at 4.6 Cu Ft.
- Recessed 8 Pass Broil Element for Increased Capacity and Safety

Benchmark®, Dual Fuel Slide-in Range, Stainless steel HDIP056C



measurements in mm



measurements in inches and (mm)