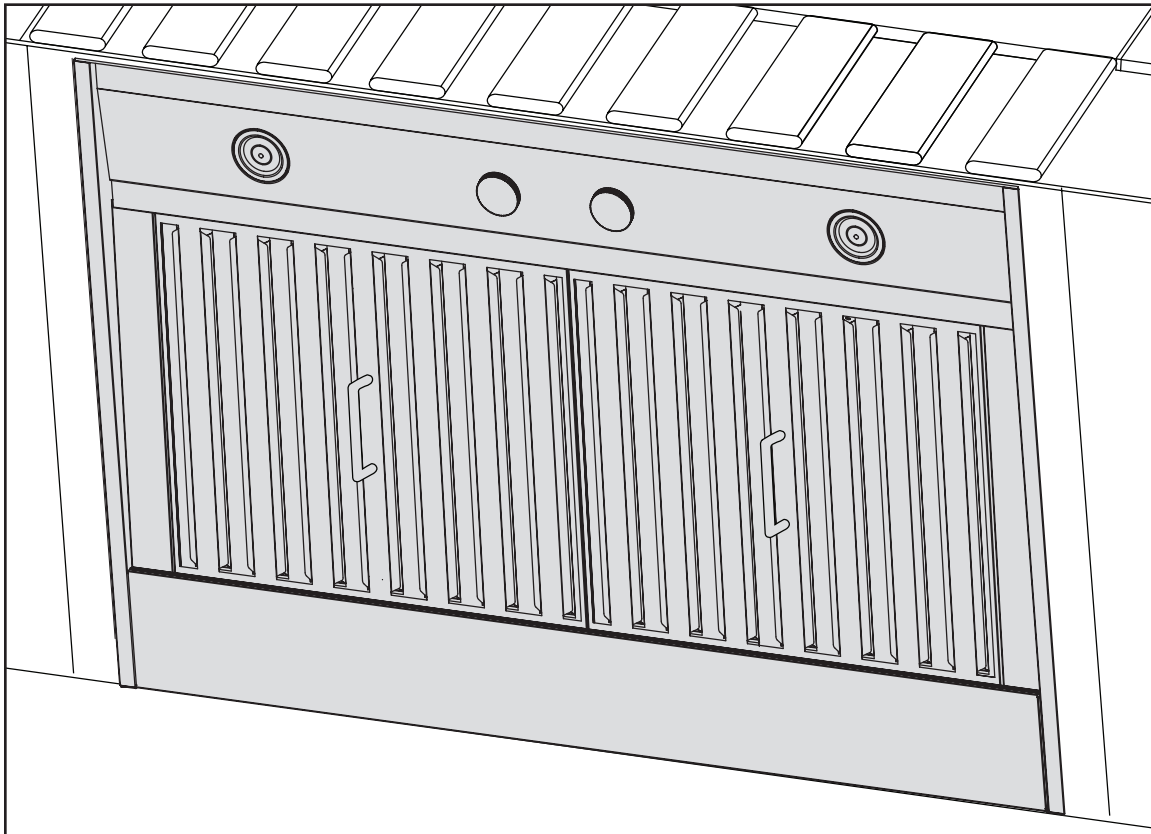


INSTALLATION INSTRUCTIONS

best[®]



CPD SERIES

Suitable for use in damp locations when installed in a GFCI protected branch circuit. Intended for outdoor covered patio or lanai area.

⚠ INTENDED FOR DOMESTIC COOKING ONLY ⚠

READ AND SAVE THESE INSTRUCTIONS

**INSTALLER: LEAVE THIS MANUAL WITH HOMEOWNER.
HOMEOWNER: USE AND CARE INFORMATION ON PAGES 12 to 13.**

BEST[®]; Hartford, Wisconsin www.BestRangeHoods.com 800-637-1453

BEST[®]; Drummondville, QC, Canada www.BestRangeHoods.com 866-737-7770

REGISTER YOUR PRODUCT ON LINE AT: www.BestRangeHoods.com/register

For additional information - visit www.BestRangeHoods.com

WARNING

TO REDUCE THE RISK OF FIRE, ELECTRIC SHOCK OR INJURY TO PERSONS, OBSERVE THE FOLLOWING:

1. Use this unit only in the manner intended by the manufacturer. If you have questions, contact the manufacturer at the address or telephone number listed in the warranty.
2. Before servicing or cleaning unit, switch power off at service panel and lock service disconnecting means to prevent power from being switched on accidentally. When the service disconnecting means cannot be locked, securely fasten a prominent warning device, such as a tag, to the service panel.
3. Installation work and electrical wiring must be done by qualified personnel in accordance with all applicable codes and standards, including fire-rated construction codes and standards.
4. Sufficient air is needed for proper combustion and exhausting of gases through the flue (chimney) of fuel burning equipment to prevent backdrafting. Follow the heating equipment manufacturer's guidelines and safety standards such as those published by the National Fire Protection Association (NFPA) and the American Society for Heating, Refrigeration and Air Conditioning Engineers (ASHRAE) and the local code authorities.
5. When cutting or drilling into wall or ceiling, do not damage electrical wiring and other hidden utilities.
6. Ducted fans must always be vented to the outdoors.
7. Do not use this unit with any solid-state speed control device.
8. To reduce the risk of fire, use only metal ductwork.
9. This unit is not designed for use with a charcoal grille.
10. This unit must be grounded and protected by a GFCI (Ground Fault Circuit Interrupter).
11. When applicable local regulations comprise more restrictive installation and/or certification requirements, the aforementioned requirements prevail on those of this document and the installer agrees to conform to these at his own expenses.
12. Suitable for use in damp locations only when installed in a GFCI protected branch circuit.

TO REDUCE THE RISK OF A RANGE TOP GREASE FIRE:

- a) Never leave surface units unattended at high settings. Boilovers cause smoking and greasy spillovers that may ignite. Heat oils slowly on low or medium settings.
- b) Always turn power pack ON when cooking at high heat or when flambeing food (i.e.: Crêpes Suzette, Cherries Jubilee, Peppercorn Beef Flambé).
- c) Clean ventilating fans frequently. Grease should not be allowed to accumulate on fan, filters or in exhaust ducts.
- d) Use proper pan size. Always use cookware appropriate for the size of the surface element.

WARNING

TO REDUCE THE RISK OF INJURY TO PERSONS IN THE EVENT OF A RANGE TOP GREASE FIRE, OBSERVE THE FOLLOWING*:

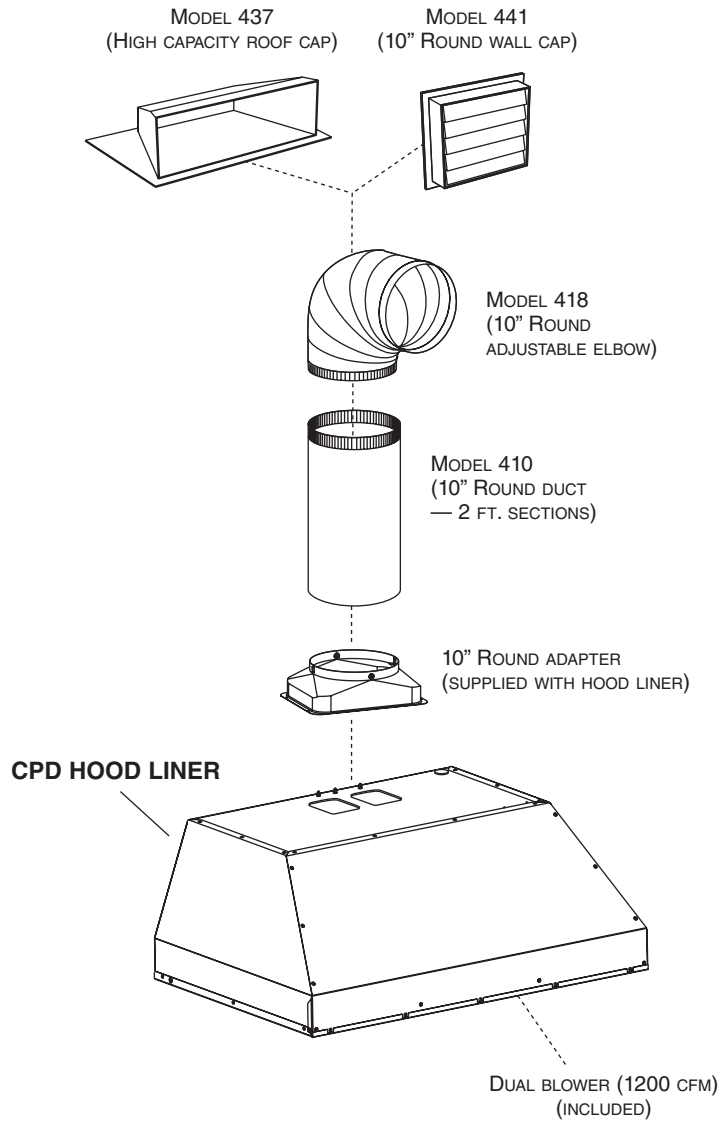
1. SMOTHER FLAMES with a close-fitting lid, cookie sheet or metal tray, then turn off the burner. BE CAREFUL TO PREVENT BURNS. IF THE FLAMES DO NOT GO OUT IMMEDIATELY, EVACUATE AND CALL THE FIRE DEPARTMENT.
2. NEVER PICK UP A FLAMING PAN — You may be burned.
3. DO NOT USE WATER, including wet dishcloths or towels — This could cause a violent steam explosion.
4. Use an extinguisher ONLY if:
 - A. You own a Class ABC extinguisher and you know how to operate it.
 - B. The fire is small and contained in the area where it started.
 - C. The fire department has been called.
 - D. You can fight the fire with your back to an exit.

* Based on "Kitchen Fire Safety Tips" published by NFPA.

CAUTION

1. For general ventilating use only. Do not use to exhaust hazardous or explosive materials and vapors.
2. To avoid motor bearing damage and noisy and/or unbalanced impellers, keep drywall spray, construction dust, etc. off power unit.
3. Your insert motor has a thermal overload which will automatically shut off the motor if it becomes overheated. The motor will restart when it cools down. If the motor continues to shut off and restart, have the power pack serviced.
4. The minimum power pack distance above cooktop must not be less than 36".
5. Two installers are recommended because of the large size and weight of this unit.
6. To reduce the risk of fire and to properly exhaust air, be sure to duct air outside — Do not exhaust air into spaces within walls or ceiling or into attics, crawl space or garage.
7. This product is equipped with a thermostat which may start blower automatically. To reduce the risk of injury and to prevent power from being switched on accidentally, switch power off at service panel and lock or tag service panel.
8. Because of the high exhausting capacity of this unit, you should make sure enough air is entering the house to replace exhausted air by opening a window close to or in the kitchen.
9. To reduce the risk of fire and electrical shock, the Best models CPD Series should only be installed with built-in blowers. Other blowers cannot be substituted.
10. Please read specification label on product for further information and requirements.

- CPD HOOD LINER SYSTEM -



1. INSTALL DUCTWORK AND ELECTRICAL WIRING

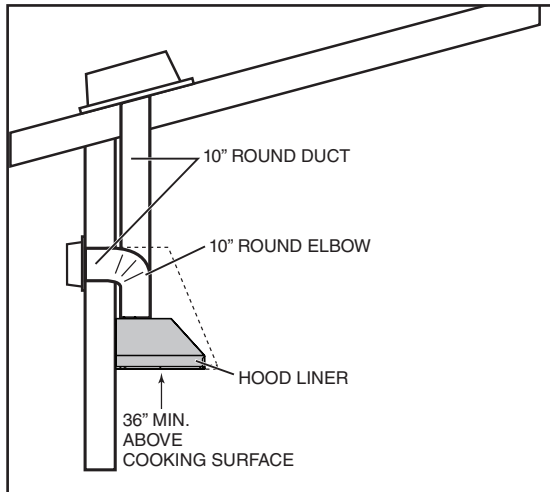
INSTALLATION

Install proper-sized ductwork, elbows and roof or wall cap for the type of blower you are installing. Use 10" round ductwork. Use metal foil duct tape to seal duct joints.

The minimum hood liner distance above cooktop must not be less than 36".

Distances over 36" are at the installer and users discretion.

Run 3-wire power supply cable to installation location. Its length should extend at least 4 feet below the bottom of the custom hood.



**CPD (DUAL INTERNAL BLOWER)
TYPICAL DUCTWORK**

2. PREPARE THE INSTALLATION

⚠ WARNING

When performing installation, servicing or cleaning the unit, it is recommended to wear safety glasses and gloves.

NOTE: Before proceeding to the installation, check the contents of the box. If items are missing or damaged, contact the manufacturer.

Make sure that the following items are included:

-Hood Liner

- Accessories:
- Baffle filters (2 for 36" width , 3 for 48" and 60" widths)
 - Shielded halogen lamps (120 V, 50 W, MR16 with GU10 base or PAR16 with GU10 base) (2 for CPDI362, 4 for all other models)
 - 10" round adapter
 - Bag of parts including: 12 - #8 x ½" flat head screws (16 - for CPDI602), 4 - M4 x 6 pan head screws, 1 - suction cup tool, 3 - wire nuts

Parts sold separately:

- Ducts, elbows, wall and roof caps. Refer to pages 3 and 4 for a complete list of venting options and model numbers.

NOTE: During installation, protect countertop and/or cooktop.

3. CUSTOM HOOD PREPARATION

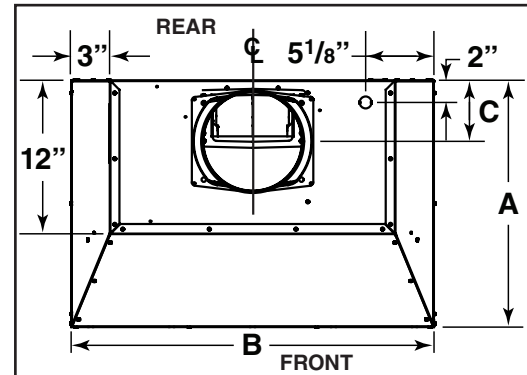
⚠ WARNING

When building a custom hood, always follow all applicable construction codes and standards.

The custom hood must be constructed to fit the size and shape of the CPD hood liner. See chart and illustration for details.

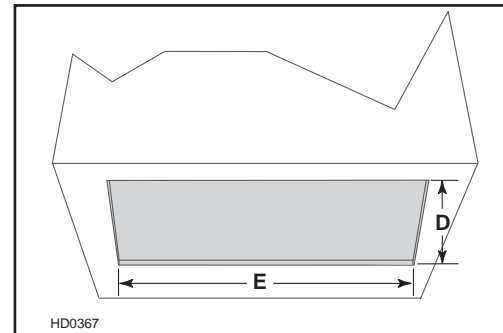
| HOOD LINER | | TOTAL WEIGHT | RANGE HOOD DIMENSIONS | | |
|------------|---------|--------------|-----------------------|------|-----|
| SERIES | MODEL | | *A | *B | C |
| CPD | CPDI362 | 73 LB | 22½" | 34⅝" | 5⅞" |
| | CPDI482 | 88 LB | 22½" | 46⅝" | 5⅞" |
| | CPDI602 | 102 LB | 22½" | 58⅝" | 5⅞" |

* Dimensions A and B include rivets head.



To minimize the gap around the hood liner, take actual width and depth measurements of hood liner and add 1/16" to get D and E measurements. Cut the hole in the bottom of the cabinet according to dimensions. See chart and illustration for details.

| HOOD LINER | | CUTOUT DIMENSIONS | |
|------------|---------|-----------------------------------|------------------------------------|
| SERIES | MODEL | D | E |
| CPD | CPDI362 | 22 ⁹ / ₁₆ " | 34 ⁷ / ₁₆ " |
| | CPDI482 | 22 ⁹ / ₁₆ " | 46 ⁷ / ₁₆ " |
| | CPDI602 | 22 ⁹ / ₁₆ " | 58 ¹⁵ / ₁₆ " |



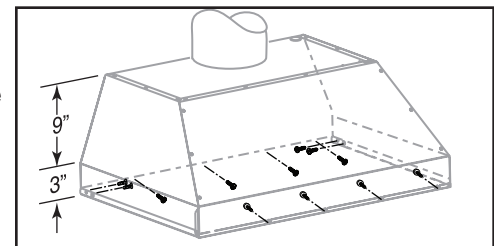
4. MOUNT CUSTOM HOOD INTERNAL FRAMEWORK

⚠ WARNING

The wood hood must be positively secured to wall studs or other wooden framework behind the drywall. Make sure it is capable of supporting its own weight and the weight of the CPD. Failure to do so may cause personal injury or damage to countertop or cooktop.

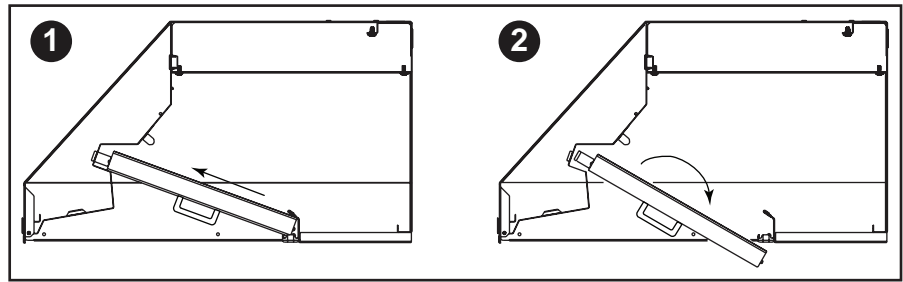
The CPD hood liner is supported by the custom hood internal framework with (12) #8 x ½" flat-head screws (16 screws for CPDI602) provided in parts bag.

Since the CPD hood liner mounting holes are located in front and rear sides (see illustration at right), plan to install wood frame at front and sides for support.



5. REMOVE BAFFLE FILTERS

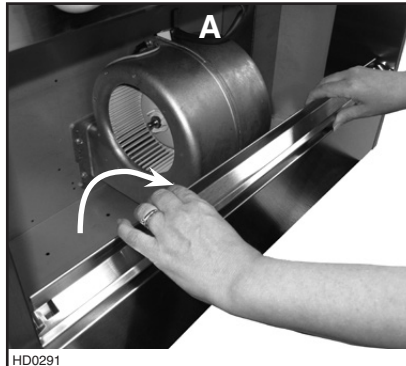
Remove tape on filters. Remove filters from power pack and set aside. It is recommended to start with the center filters.



6. REMOVE GREASE DRIP RAIL

A. Lift grease drip rail to disengage it from the bottom panel.

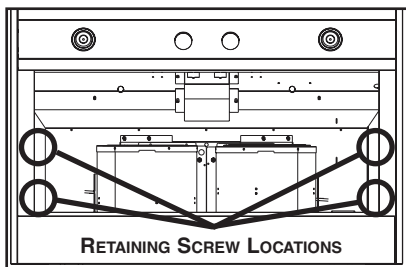
(Blower shown is for reference only and does not represent actual blower in this product.)



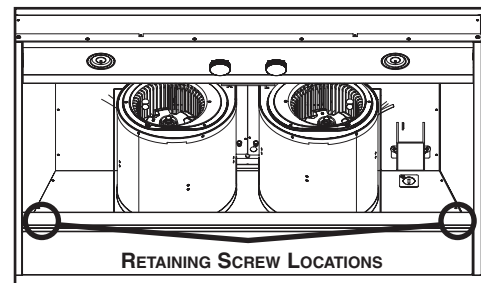
7. REMOVE THE BOTTOM PANEL

Using a Phillips screwdriver, remove both bottom filter filler panels.

Disassemble bottom panel, lift up and out, and set aside.



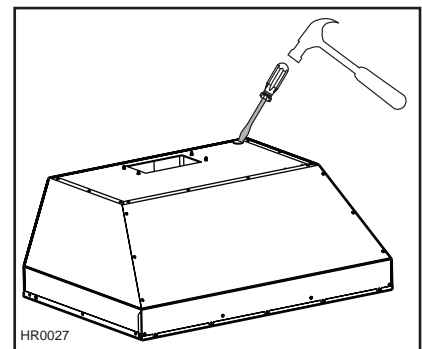
BOTTOM VIEW



BOTTOM VIEW

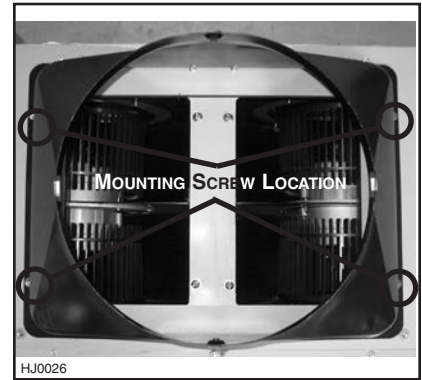
8. REMOVE THE KNOCK-OUT OPENING

From inside the hood liner, remove the wiring cover and set aside. Punch out the electrical knockout hole on top of the hood. Install the wire clamp (included in parts bag).



9. INSTALL THE 10" ADAPTER

Using (4) no. M4 x 6 screws from parts bag, assemble the adapter on the top of the hood liner. Seal all joints with metal foil duct tape to eliminate air leaks.



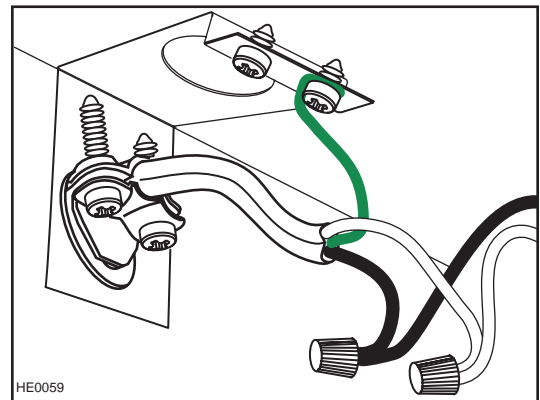
10. CONNECT THE WIRING

⚠ WARNING

Risk of electric shock. Electrical wiring must be done by qualified personnel in accordance with all applicable codes and standards. Before connecting wires, switch power off at service panel and lock service disconnecting means to prevent power from being switched on accidentally.

Position the hood liner below the installed custom hood.

INTERNAL BLOWERS: Insert the house wiring cable through the wire clamp previously installed in step 8. Tighten the wire clamp to secure the cable. Connect cable into wiring box using wire connectors. Connect BLACK to BLACK, WHITE to WHITE and GREEN or bare wire under GREEN ground screw. **DO NOT FORGET TO CONNECT THE GROUND.** Reinstall wiring cover.



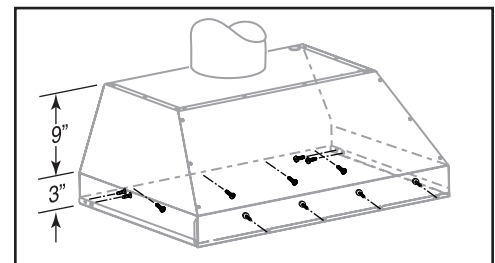
11. INSTALL THE POWER PACK

CAUTION

Take care not to kink ducting when installing the power pack.

Using provided screws, install the hood liner inside the custom hood. Start with 2 screws on front corners, then use 4 screws for sides and use the remaining screws to finalize securing the front hood liner. (See figure at right for mounting screw specific locations.)

Make sure the adapter/damper (or the adapter) enters the ducting. When there is access to the top of the hood liner, seal connections with metal foil duct tape.

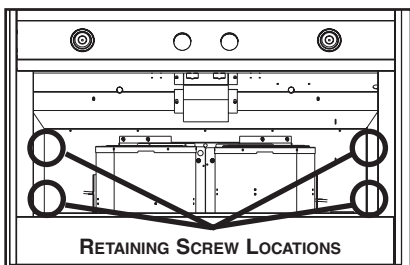


12. REINSTALL BOTTOM PANEL

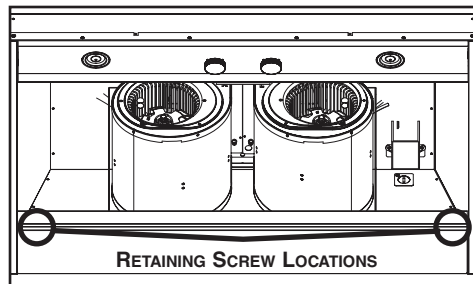
Lift the bottom panel and engage the hood liner metal tabs in bottom panel slots.

Secure the bottom panel to the hood liner using its screws.

Re-install filter filler panels as shown.



BOTTOM VIEW

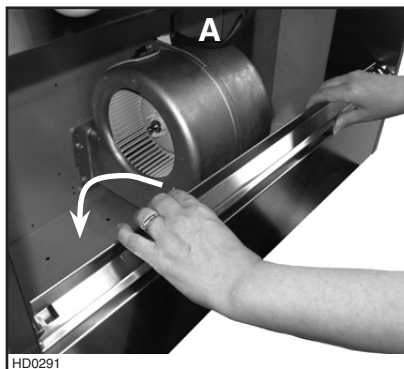


BOTTOM VIEW

13. REINSTALL GREASE DRIP RAIL

- A. Center the grease drip rail over the bottom panel edge and drop it in place.

(Blower shown is for reference only and does not represent actual blower in this product.)



14. REINSTALL BAFFLE FILTERS

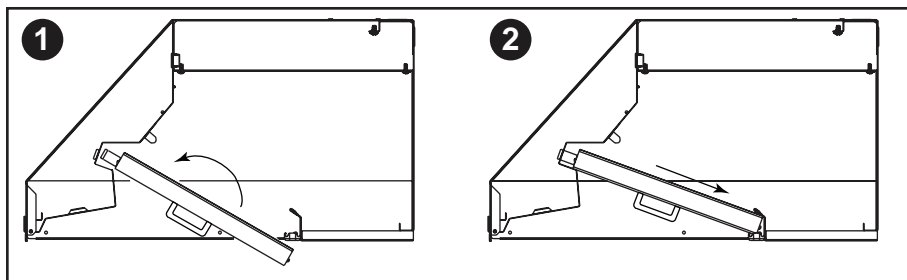
CAUTION

Remove protective plastic film covering baffle filters before installing them.

NOTE: It is recommended to install side filters first and finish with center filter(s).

1. Insert one end of baffle filter into the front channel of the hood.
2. Raise the other end toward the inside of hood liner and insert in the grease drip rail of the hood liner.

Replacement filters are available from your dealer. See label inside hood liner for size and part number.



15. LIGHT BULBS

This power pack must use shielded halogen lamps (120 V, 50 W PAR16 with GU10 base, 2 for CPDI362 and 4 for the CPDI482 & CPDI602), included.

NOTE: Before using lamps, remove shipping tape on them (if present).

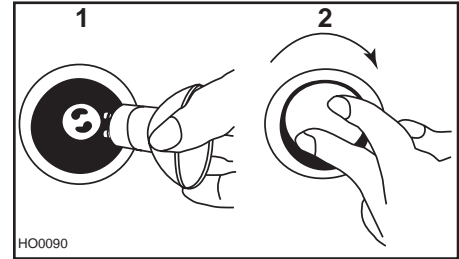
⚠ WARNING

In order to prevent the risk of personal injury, do not install a lamp not suitable for use in enclosed fixtures.

1. Install the lamps by placing the bulb leads into their grooves in the socket.
2. Gently push upwards and turn clockwise until secure.

⚠ WARNING

In order to prevent the risk of personal injury, do not install a lamp not suitable for use in enclosed fixtures.



To remove lamps, gently push upwards and turn counterclockwise to disengage bulb leads from their grooves.

NOTE: If need be, use a rubber dishwashing glove to add grip when removing the bulb; or use suction cup tool available from BEST® to ease removal of the bulbs. Contact BEST® Technical Support at 1-800-637-1453 to order suction cup tool, part number 99526707.

16. USE AND CARE

Baffle Filters

The baffle filters should be cleaned frequently. Use a warm detergent solution. Wash more often if your cooking style generates greater grease — like frying foods or wok cooking.

Remove baffle filters by pushing them towards the front of hood liner and rotating filters downward. Baffle filters are dishwasher safe. Allow filters to dry completely before reinstalling them.

Clean all-metal filters in the dishwasher using a non-phosphate detergent. Discoloration of the filter may occur if using phosphate detergent or as a result of local water conditions — but this will not affect filter performance. This discoloration is not covered by the warranty.

Grease Drip Rail

The grease drip rail should be cleaned frequently. Remove it from the hood liner (see step 6 on page 6) and use a warm detergent solution. As with the baffle filters, wash more often if your cooking style generates greater grease — like frying foods or wok cooking. Allow grease drip rail to dry completely before reinstalling it.

Interior Blowers Cleaning

Remove the filters in order to access the blowers. Vacuum blowers to clean. Do not immerse in water.

Hood Liner Cleaning

Stainless steel cleaning:

Do:

- Regularly wash with clean cloth or rag soaked with warm water and mild soap or liquid dish detergent.
- Always clean in the direction of original polish lines.
- Always rinse well with clear water (2 or 3 times) after cleaning. Wipe dry completely.
- You may also use a specialized household stainless steel cleaner

Don't:

- Use any steel or stainless steel wool or any other scrapers to remove stubborn dirt.
- Use any harsh or abrasive cleansers.
- Allow dirt to accumulate.
- Let plaster dust or any other construction residues reach the hood. During construction/renovation, cover the power pack to make sure no dust sticks to stainless steel surface.

Avoid when choosing a detergent:

- Any cleaners that contain **bleach** will attack stainless steel.
- Any products containing: **chloride, fluoride, iodide, bromide** will deteriorate surfaces rapidly.
- Any combustible products used for cleaning such as **acetone, alcohol, ether, benzol**, etc., are highly explosive and should never be used close to a range.

17. OPERATION

Always turn your hood liner on before you begin cooking to establish an air flow in the kitchen. Let the blower run for a few minutes to clear the air after you turn off the range. This will help keep the whole kitchen cleaner and brighter.

COOKTOP LIGHTING (HALOGEN)

The halogen lighting is controlled by the dial.

- **POSITION 1: OFF**
- **POSITION 2: LOW**
- **POSITION 3: HIGH**
- **POSITION 4: OFF**
- Use 120 V, 50 W, MR16 with GU10 base or PAR16 with GU10 base, shielded halogen lamps (included).

BLOWER

The blower is controlled by the dial.

- **POSITION 1: OFF**
- **POSITION 2: LOW**
- **POSITION 3: MEDIUM**
- **POSITION 4: HIGH**
- **HEAT SENTRY™**

This hood liner is equipped with a Heat Sentry™ thermostat. This thermostat is a device that will start or speed up the blower if it senses excessive heat above the cooking surface.

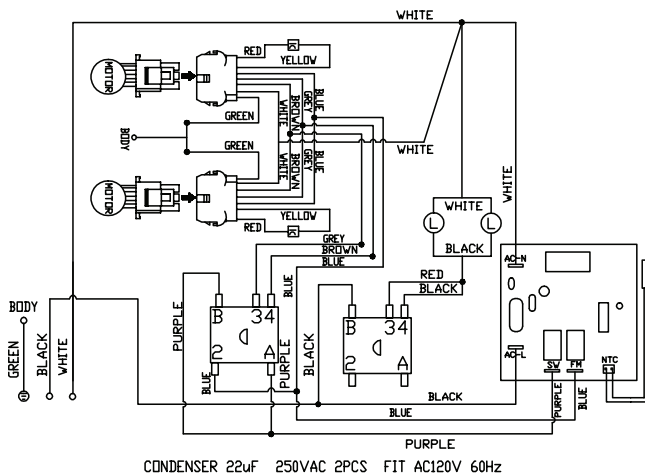
- 1) If blower is OFF - it turns blower ON to HIGH speed.
- 2) If blower is ON at a lower speed setting – it turns the blower up to HIGH speed.

When the temperature level drops to normal, the blower will return to its original setting.

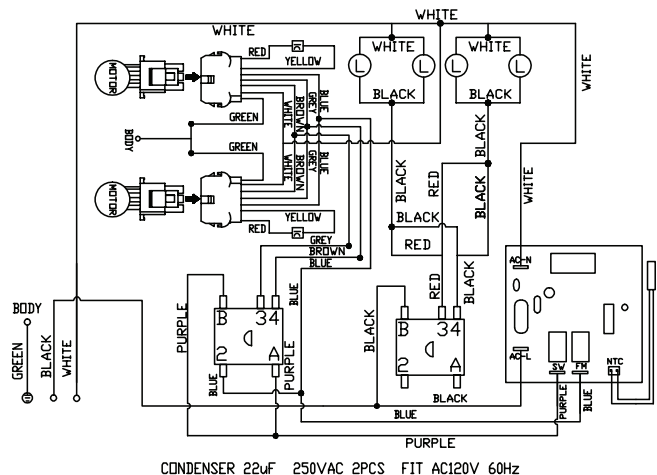
⚠ WARNING

The HEAT SENTRY can start the blower during a range top fire or other excessive heat situations even if the hood is turned off. In this case, it is impossible to turn the blower OFF with blower switch. If you must stop the blower, do it from the main electrical panel.

18. WIRING DIAGRAM



MODEL CPDI362SB



MODELS CPDI482SB & CPDI602SB

19. WARRANTY

WARRANTY

ONE-YEAR LIMITED WARRANTY

Broan-NuTone LLC (“Broan-NuTone”) warrants to the original consumer purchaser of its products that such products will be free from defects in materials or workmanship for a period of one year from the date of original purchase. THERE ARE NO OTHER WARRANTIES, EXPRESS OR IMPLIED, INCLUDING, BUT NOT LIMITED TO, IMPLIED WARRANTIES OF MERCHANTABILITY OR FITNESS FOR A PARTICULAR PURPOSE.

During this one-year period, Broan-NuTone will, at its option, repair or replace, without charge, any product or part which is found to be defective under normal use and service.

THIS WARRANTY DOES NOT EXTEND TO FLUORESCENT LAMP STARTERS, TUBES AND BULBS, FUSES, FILTERS, DUCTS, ROOF CAPS, WALL CAPS AND OTHER ACCESSORIES FOR DUCTING. This warranty does not cover (a) normal maintenance and service or (b) any products or parts which have been subject to misuse, negligence, accident, improper maintenance or repair (other than by Broan-NuTone), faulty installation or installation contrary to recommended installation instructions.

The duration of any implied warranty is limited to the one-year period as specified for the express warranty. Some states or provinces do not allow limitation on how long an implied warranty lasts, so the above limitation may not apply to you.

BROAN-NUTONE’S OBLIGATION TO REPAIR OR REPLACE, AT BROAN-NUTONE’S OPTION, SHALL BE THE PURCHASER’S SOLE AND EXCLUSIVE REMEDY UNDER THIS WARRANTY. BROAN-NUTONE SHALL NOT BE LIABLE FOR INCIDENTAL, CONSEQUENTIAL OR SPECIAL DAMAGES ARISING OUT OF OR IN CONNECTION WITH PRODUCT USE OR PERFORMANCE. Some states or provinces do not allow the exclusion or limitation of incidental or consequential damages, so the above limitation or exclusion may not apply to you.

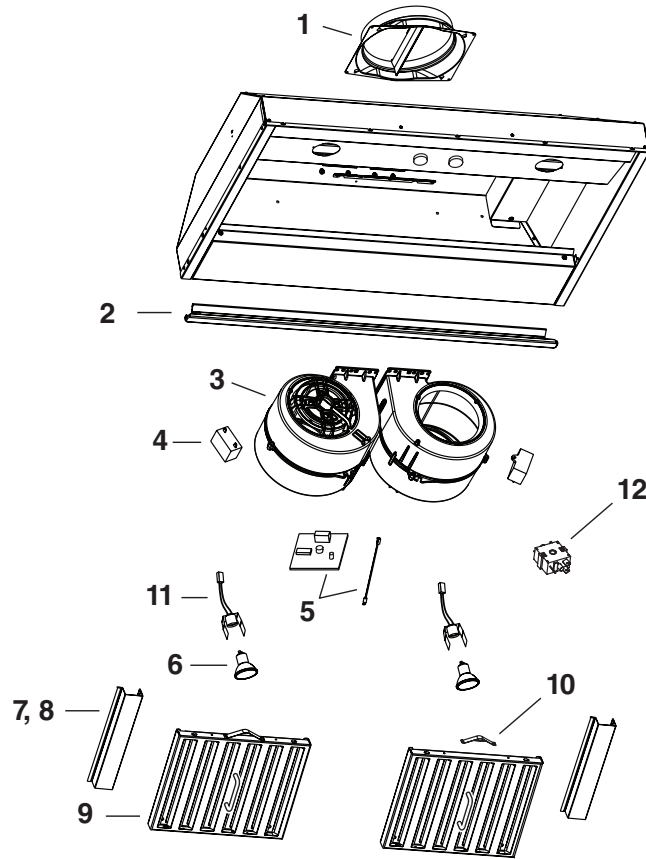
This warranty gives you specific legal rights, and you may also have other rights, which vary from state to state or province to another. Any modification performed on this product without the authorization of Broan-NuTone will void this warranty. This warranty supersedes all prior warranties.

To qualify for warranty service, you must (a) notify Broan-NuTone at the address or telephone number stated below, (b) give the model number and part identification and (c) describe the nature of any defect in the product or part. At the time of requesting warranty service, you must present evidence of the original purchase date.

BEST®, 926 W. State Street, Hartford, WI 53027 (1-800-637-1453)
BEST®, 550 Lemire Blvd., Drummondville, QC, Canada (1-866-737-7770)
www.BestRangeHoods.com

20. SERVICE PARTS

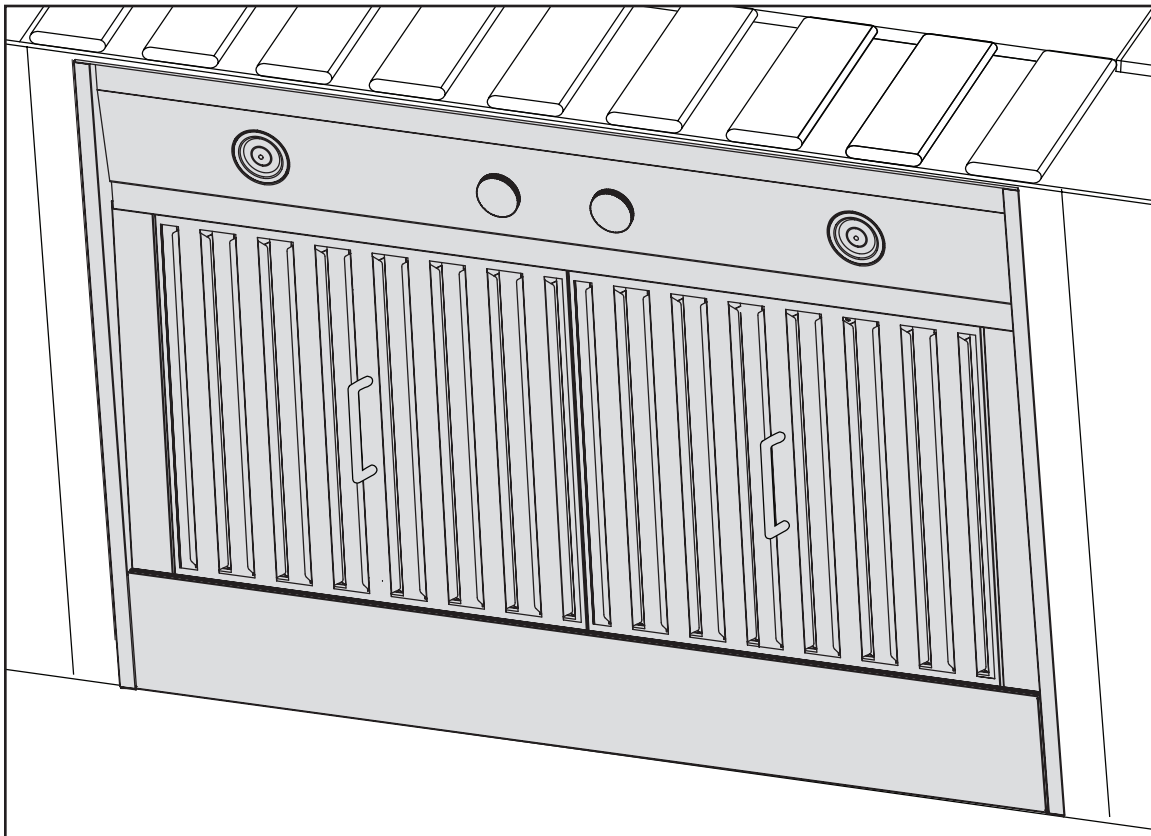
Best CPD Series



| KEY NO. | PART NO. | DESCRIPTION | QTY. (POWER PACK WIDTH) | | |
|---------|----------|---|-------------------------|-----|-----|
| | | | 36" | 48" | 60" |
| 1 | 97018874 | ADAPTER 10" ROUND | 1 | 1 | 1 |
| 2 | 98010930 | GREASE RAIL 36" | 1 | - | - |
| | 98010931 | GREASE RAIL 48" & 60" | - | 1 | 1 |
| 3 | 97018875 | INTERNAL BLOWER (2 REQUIRED) | 2 | 2 | 2 |
| 4 | 99271454 | CAPACITOR | 2 | 2 | 2 |
| 5 | 99271455 | CONTROL BOARD W/ HEAT SENTRY | 1 | 1 | 1 |
| 6 | V05921 | SHIELDED HALOGEN LAMPS (120 V, 50 W, GU-10) | 2 | 4 | 4 |
| 7 | 98010933 | FILTER FILLER (PAIR) (FOR 36") | 1 | - | - |
| 8 | 98010936 | FILTER FILLER (PAIR) (FOR 60") | - | - | 1 |
| 9 | 97018876 | BAFFLE FILTER | 2 | 3 | 3 |
| 10 | 98010934 | FILTER SPRING (SET OF 6) | 1 | 1 | 1 |
| 11 | 97018879 | LAMP SHELL ASSEMBLY | 2 | 4 | 4 |
| 12 | 99271456 | ROTARY SWITCH | 2 | 2 | 2 |
| * | 97018878 | PARTS BAG | 1 | 1 | 1 |
| * | 99526707 | SUCTION CUP BULB REMOVAL TOOL | 1 | 1 | 1 |

* NOT SHOWN.

best®



SÉRIE CPD

Peut être installé dans des endroits humides si branché sur un circuit à disjoncteur de fuite à la terre (GFCI). S'utilise à l'extérieur sur les terrasses couvertes ou vérandas.

⚠ POUR USAGE DOMESTIQUE SEULEMENT ⚠

LIRE CES DIRECTIVES ET LES CONSERVER

INSTALLATEUR : VEUILLEZ REMETTRE CE MANUEL AU PROPRIÉTAIRE.
PROPRIÉTAIRE : VOIR LE MODE D'UTILISATION ET D'ENTRETIEN AUX
PAGES 12 ET 13.

BEST®; Hartford, Wisconsin www.BestRangeHoods.com 800-637-1453

BEST®; Drummondville, QC, Canada www.BestRangeHoods.com 866-737-7770

ENREGISTREZ VOTRE PRODUIT EN LIGNE À : www.BestRangeHoods.com/register

XP022299(2)

Pour de plus amples informations - visitez www.BestRangeHoods.com

AVERTISSEMENT

AFIN DE RÉDUIRE LES RISQUES D'INCENDIE, DE CHOC ÉLECTRIQUE OU DE BLESSURES CORPORELLES, VEUILLEZ OBSERVER LES DIRECTIVES SUIVANTES :

1. N'utilisez cet appareil que de la manière prévue par le fabricant. Si vous avez des questions, communiquez avec le fabricant à l'adresse ou au numéro de téléphone indiqués dans la garantie.
2. Avant de procéder à la réparation ou à l'entretien de l'appareil, coupez l'alimentation du panneau électrique et verrouillez le dispositif de sectionnement de manière à empêcher que le courant ne soit accidentellement rétabli. S'il est impossible de verrouiller l'interrupteur principal, fixez solidement un message d'avertissement, par exemple une étiquette, sur le panneau électrique.
3. L'installation et les branchements électriques doivent être effectués par un personnel compétent, conformément aux normes et aux codes en vigueur, y compris les normes et les codes du bâtiment relatifs à la résistance au feu.
4. Pour éviter les refoulements, l'apport d'air doit être suffisant pour brûler les gaz produits par les appareils à combustion et les évacuer dans le conduit de fumée (cheminée). Respectez les directives du fabricant de l'appareil de chauffage et les normes de sécurité, notamment celles publiées par la National Fire Protection Association (NFPA), l'American Society for Heating, Refrigeration and Air Conditioning Engineers (ASHRAE) et les codes des autorités locales.
5. Veillez à ne pas endommager le câblage électrique ou d'autres équipements non apparents lors de la découpe ou du perçage du mur ou du plafond.
6. Les ventilateurs canalisés doivent toujours rejeter l'air à l'extérieur.
7. N'utilisez pas de commande de régime à semi-conducteurs conjointement avec cet appareil.
8. Pour réduire les risques d'incendie, utilisez seulement des conduits en métal.
9. Cet appareil n'est pas conçu pour être utilisé avec un gril au charbon de bois.
10. Cet appareil doit comporter une mise à la terre et être protégé par un circuit à disjoncteur de fuite à la terre (GFCI).
11. Lorsque les législations fédérales, provinciales ou d'état comportent des exigences plus sévères quant à l'installation et/ou l'homologation, celles-ci auront préséance sur celles de ce document et l'installateur s'engage à s'y conformer à ses frais.
12. Peut être installé dans des endroits humides si branché sur un circuit à disjoncteur de fuite à la terre (GFCI).

POUR RÉDUIRE LES RISQUES D'INCENDIE CAUSÉS PAR DE LA GRAISSE SUR LE PLAN DE CUISSON :

- a) Ne laissez jamais les éléments de surface allumés à haute température. Les débordements peuvent causer de la fumée et occasionner des écoulements de graisse inflammables. L'huile doit être chauffée graduellement à basse ou à moyenne température.
- b) Mettez toujours la hotte en MARCHÉ lors de la cuisson à feu vif ou lors de la cuisson d'aliments à flamber (crêpes Suzette, cerises jubilé, bœuf au poivre flambé).
- c) Nettoyez souvent la hotte. Ne laissez pas la graisse s'accumuler sur le ventilateur, les filtres ou les conduits d'évacuation.
- d) Utilisez des casseroles de dimension appropriée. Utilisez toujours une batterie de cuisine adaptée à la dimension de la surface chauffante.

AVERTISSEMENT

OBSERVEZ LES CONSIGNES SUIVANTES AFIN DE RÉDUIRE LES RISQUES DE BLESSURES ORPORELLES EN CAS D'INCENDIE CAUSÉ PAR DE LA GRAISSE SUR LE PLAN DE CUISSON* :

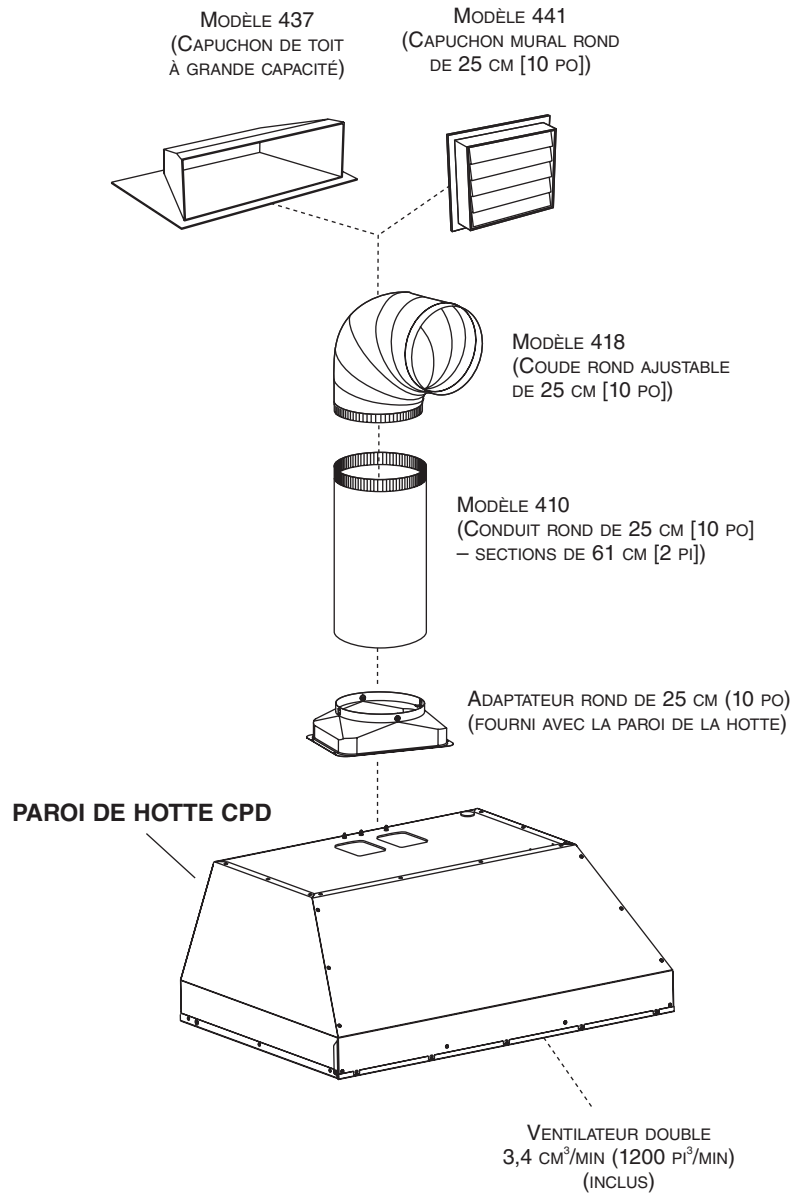
1. ÉTOUFFEZ LES FLAMMES à l'aide d'un couvercle étanche, d'une tôle à biscuits ou d'un plateau en métal puis éteignez le brûleur. FAITES ATTENTION DE NE PAS VOUS BRÛLER. SI LES FLAMMES NE S'ÉTEIGNENT PAS IMMÉDIATEMENT, QUITTEZ LES LIEUX ET APPELEZ LE SERVICE DES INCENDIES.
2. NE SOULEVEZ JAMAIS UNE CASSEROLE EN FLAMMES – vous pourriez vous brûler.
3. N'UTILISEZ PAS D'EAU, ni de linges ou de serviettes mouillés – une violente explosion de vapeur pourrait survenir.
4. Utilisez un extincteur SEULEMENT si :
 - A. Vous savez qu'il est de classe ABC et vous connaissez déjà son mode de fonctionnement.
 - B. L'incendie n'est pas très important et ne se propage pas.
 - C. Vous avez déjà téléphoné au service des incendies.
 - D. Vous pouvez combattre l'incendie en faisant dos à une sortie.

* Conseils tirés de la publication de la NFPA « Kitchen Fire Safety Tips ».

ATTENTION

1. Pour ventilation générale uniquement. N'utilisez pas cet appareil pour évacuer des matières ou des vapeurs dangereuses ou explosives.
2. Pour éviter d'endommager les roulements de moteur, de déséquilibrer les pales ou de les rendre bruyantes, débarrassez l'appareil de la poussière de plâtre, de construction, etc.
3. Le moteur du ventilateur est muni d'un dispositif de protection de surcharge électrique qui coupe automatiquement le moteur en cas de surchauffe. Il se remet en marche lorsqu'il a refroidi. Faites réparer la hotte si le moteur continue à fonctionner par intermittence.
4. La distance minimale de la hotte au-dessus de la surface de cuisson ne doit pas être inférieure à 91 cm (36 po).
5. Il est recommandé que les installateurs soient deux, compte tenu de la taille et du poids de cette hotte.
6. Pour réduire les risques d'incendie et obtenir une évacuation adéquate de l'air, acheminez les conduits jusqu'à l'extérieur – n'évacuez pas l'air dans des interstices entre les murs ou le plafond, ni dans un grenier, un vide sanitaire ou un garage.
7. Ce produit est doté d'un thermostat qui peut faire démarrer automatiquement le ventilateur. Pour réduire les risques de blessures, coupez l'alimentation sur le panneau électrique et verrouillez-le ou accrochez-y une étiquette de manière à éviter que le courant ne soit rétabli par accident.
8. En raison de la grande capacité d'évacuation de cette hotte, vous devez vous assurer qu'il y a suffisamment d'air qui pénètre dans la maison pour remplacer l'air évacué en ouvrant une fenêtre à proximité ou dans la cuisine.
9. Pour réduire les risques d'incendie et de choc électrique, les modèles Best de la Série CPD ne doivent être installés qu'avec leurs ventilateurs intégrés. Aucun autre ventilateur ne peut être substitué.
10. Veuillez lire l'étiquette de spécifications du produit pour obtenir plus de renseignements, notamment sur les exigences.

- SYSTÈME DE HOTTE CPD À DOUBLE PAROI -



1. INSTALLATION DES CONDUITS ET DU CÂBLAGE ÉLECTRIQUE

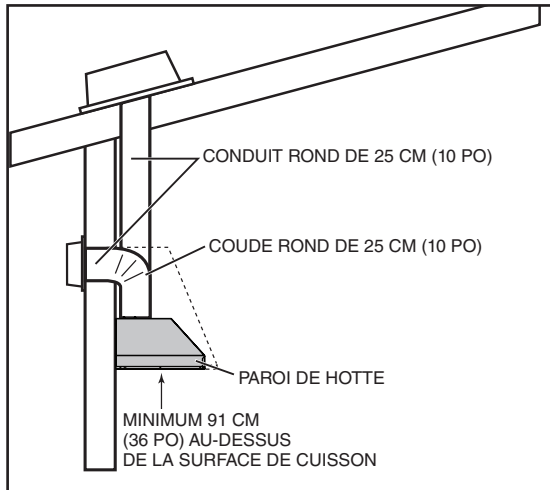
INSTALLATION

Installez des conduits, coudes et capuchon de toit ou mural de la taille appropriée pour le type de ventilateur que vous installez. Utilisez du conduit rond de 25 cm (10 po). Scellez tous les joints avec du ruban pour conduit.

La distance minimale de la paroi de hotte au-dessus de la surface de cuisson ne doit pas être inférieure à 91 cm (36 po).

Une distance de plus de 91 cm (36 po) est laissée à la discrétion de l'installateur et des utilisateurs.

Acheminez un câble à trois fils jusqu'au lieu d'installation. Sa longueur doit dépasser d'au moins 122 cm (4 pi) en dessous la hotte.



**CANALISATION TYPE D'UNE HOTTE CPD
(À DOUBLE VENTILATEUR INTERNE)**

2. PRÉPARATION DE L'INSTALLATION

⚠ AVERTISSEMENT

Il est conseillé de porter des lunettes de sécurité et des gants lors de l'installation, de l'entretien ou du nettoyage de l'appareil.

REMARQUE : Avant d'entreprendre l'installation, vérifiez le contenu de la boîte. Si des éléments sont manquants ou endommagés, contactez le fabricant.

Vérifiez que l'emballage contient les pièces suivantes :

-Paroi de hotte

-Accessoires :

- Filtres de déflecteurs (2 pour une largeur de 91 cm [36 po] , 3 pour une largeur de 122 cm [48 po] ou de 152 cm [60 po])
- Ampoules halogènes à écran (120 V, 50 W, MR16 à culot GU10 ou PAR16 à culot GU10) (2 pour le modèle CPDI362, 4 pour les autres modèles)
- Adaptateur rond de 25 cm (10 po)
- Sachet de pièces incluant : 12 - vis à tête plate n° 8 x ½ po (16 - pour le modèle CPDI602), 4 - vis à tête cylindrique M4 x 6, 1 - outil à ventouse, 3 - serre-fils

Pièces vendues séparément :

- Conduits, coudes, capuchon de toit. Consultez les pages 3 et 4 pour la liste complète des options de ventilation et les numéros de modèle.

REMARQUE : Au cours de l'installation, protégez le comptoir et la surface de cuisson.

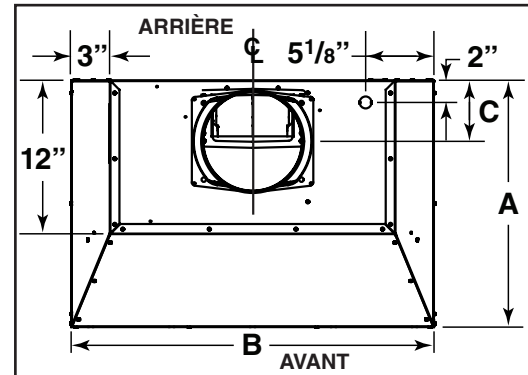
3. PRÉPARATION D'UNE HOTTE SUR MESURE

⚠ AVERTISSEMENT

Lors de la fabrication d'une hotte sur mesure, suivez les codes du bâtiment et les normes en vigueur.

La hotte sur mesure doit être fabriquée de manière à convenir à la taille et à la forme de la paroi de hotte CPD. Voir le tableau et l'illustration pour plus de détails.

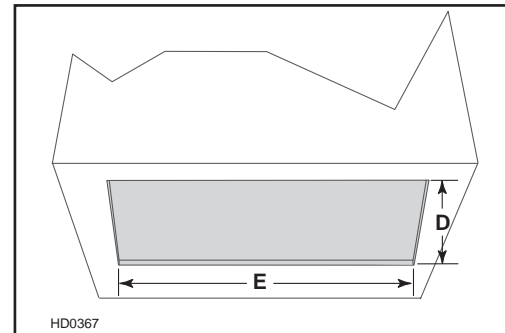
| PAROI DE HOTTE | | POIDS TOTAL | DIMENSIONS DE LA HOTTE | | |
|----------------|---------|----------------|------------------------|--------------------|------------------|
| SÉRIE | MODÈLE | | *A | *B | C |
| CPD | CPDI362 | 33 kg (73 LB) | 57,2 cm (22 ½ po) | 87,3 cm (34 ⅝ po) | 14,9 cm (5 ⅞ po) |
| | CPDI482 | 40 kg (88 LB) | 57,2 cm (22 ½ po) | 117,8 cm (46 ⅜ po) | 14,9 cm (5 ⅞ po) |
| | CPDI602 | 46 kg (102 LB) | 57,2 cm (22 ½ po) | 149,5 cm (58 ⅞ po) | 14,9 cm (5 ⅞ po) |



* Les dimensions A et B comprennent les têtes de rivets.

Pour minimiser l'écart autour de la paroi de la hotte, prenez les mesures réelles de la largeur et de la profondeur de la paroi de la hotte et ajoutez 1,6 mm (1/16 po) aux mesures D et E. Découpez l'ouverture au bas de l'armoire selon ces dimensions. Voir le tableau et l'illustration pour plus de détails.

| PAROI DE HOTTE | | DIMENSIONS DE L'OUVERTURE | |
|----------------|---------|---------------------------|--------------------|
| SÉRIE | MODÈLE | D | E |
| CPD | CPDI362 | 57,3 cm (22 ⅞ po) | 87,5 cm (34 ⅞ po) |
| | CPDI482 | 57,3 cm (22 ⅞ po) | 118,0 cm (46 ⅞ po) |
| | CPDI602 | 57,3 cm (22 ⅞ po) | 149,7 cm (58 ⅞ po) |



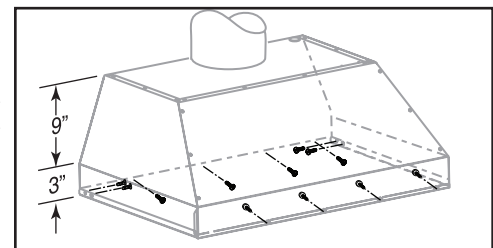
4. ASSEMBLAGE DU CADRE INTERNE DE LA HOTTE SUR MESURE

⚠ AVERTISSEMENT

La hotte en bois doit être solidement fixée aux montants du mur ou à d'autres pièces de charpente derrière la cloison sèche. Assurez-vous qu'elle est capable de supporter son propre poids plus celui de la hotte CPD. Toute négligence à cet égard peut entraîner des blessures personnelles ou endommager le comptoir ou la surface de cuisson.

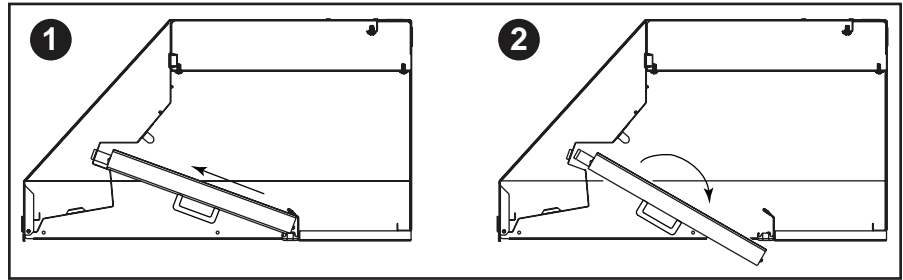
La paroi de la hotte CPD est supportée par le cadre interne de la hotte sur mesure avec douze (12) vis à tête plate n° 8 x ½ po (16 vis pour CPDI602) fournies dans le sachet de pièces.

Puisque les trous de fixation de la paroi de la hotte sont situés à l'avant et à l'arrière (voir l'illustration à droite), prévoyez d'installer un cadrage de bois à l'avant et à l'arrière pour la supporter.



5. ENLEVER LES FILTRES DE DÉFLECTEURS

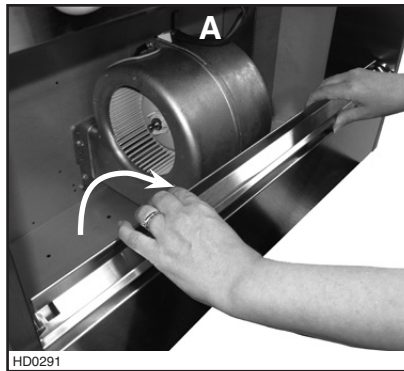
Enlevez le ruban adhésif des filtres. Enlevez les filtres de la hotte et mettez-les de côté. Il est conseillé de commencer par les filtres du centre.



6. ENLEVER LA GOUTIÈRE À GRAISSES

A. Soulevez la gouttière pour la dégager du panneau du fond.

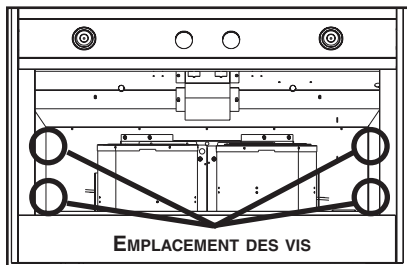
(Le ventilateur, montré, est pour référence seulement et ne représente pas le véritable soufflerie dans ce produit.)



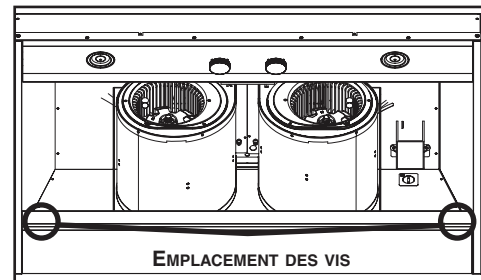
7. ENLEVER LE PANNEAU INFÉRIEUR

À l'aide d'un tournevis cruciforme, enlevez les filtres inférieurs et les panneaux de filtre.

Démontez le panneau inférieur, soulevez-le et mettez-le de côté.



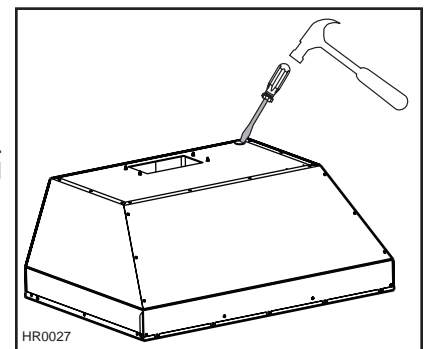
VUE DE DESSOUS



VUE DE DESSOUS

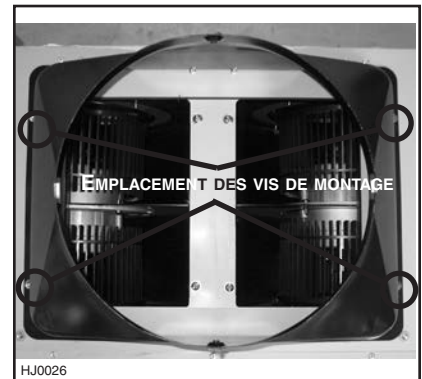
8. ENLEVER L'OUVERTURE PRÉAMORCÉE

De l'intérieur de la paroi de la hotte, enlevez le couvercle de câblage. Mettez-les de côté. Dégagez l'ouverture préamorcée sur le dessus de la hotte. Installez le connecteur de fil (inclus dans le sac de pièces).



9. INSTALLER L'ADAPTATEUR DE 25 CM (10 PO)

À l'aide des quatre (4) vis M4 x 6 du sachet de pièces, assemblez l'adaptateur sur le dessus de la paroi de la hotte. Scellez tous les joints avec du ruban à conduit pour éviter les fuites d'air.



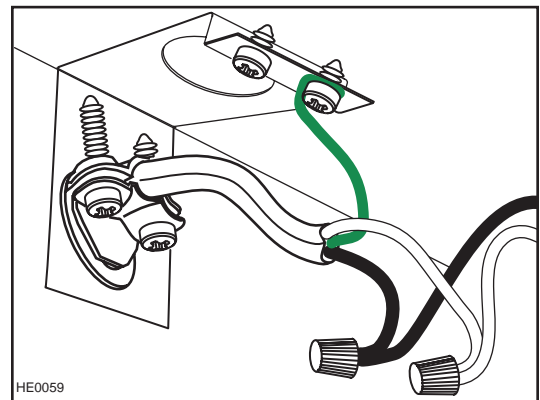
10. RACCORD DU CÂBLAGE

⚠ AVERTISSEMENT

Risque de choc électrique. Les branchements électriques doivent être effectués par un personnel compétent, conformément aux normes et aux codes en vigueur. Avant d'effectuer les branchements, coupez l'alimentation du panneau électrique et verrouillez l'interrupteur principal afin d'empêcher que le courant ne soit rétabli accidentellement.

Positionnez la paroi de la hotte sous la hotte sur mesure installée.

VENTILATEURS INTERNES : Insérez le câble d'alimentation dans le connecteur installé à l'étape 8. Serrez le connecteur pour fixer le câble. Connectez le câble dans le boîtier de câblage à l'aide des serre-fils. Connectez le NOIR avec le NOIR, le BLANC avec le BLANC, et le VERT ou fil nu sur la vis VERTE de mise à la terre. **N'OUBLIEZ PAS DE CONNECTER LE FIL DE TERRE.** Refermez le couvercle de connexion.



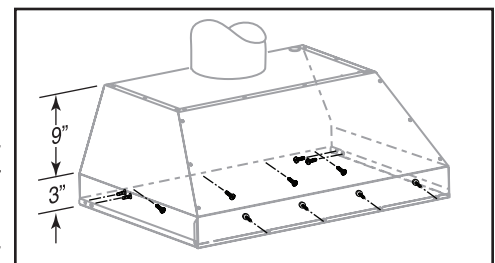
11. INSTALLATION DE LA PAROI DE LA HOTTE

ATTENTION

Prenez garde de ne pas plier les conduits lors de l'installation de la paroi.

À l'aide des vis fournies, installez la paroi de la hotte à l'intérieur de la hotte sur mesure. Commencez par les deux vis des coins avant, puis utilisez quatre vis sur les côtés et les vis restantes pour terminer la fixation de l'avant. (Voir la position des vis dans la figure de droite.)

Assurez-vous que l'adaptateur / clapet (ou l'adaptateur) s'insère à l'intérieur du conduit. Si vous pouvez accéder sur le dessus de la paroi de la hotte, scellez tous les raccords avec du ruban pour conduits.

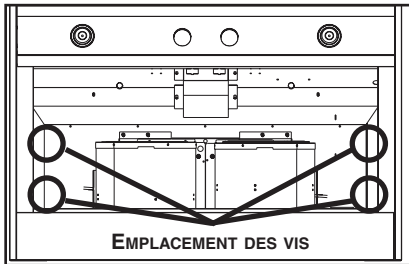


12. REPOSER LE PANNEAU INFÉRIEUR

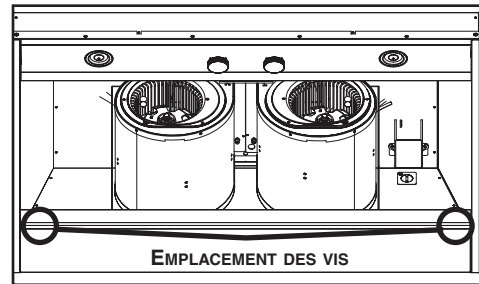
Soulevez le panneau inférieur et engagez les languettes métalliques de la paroi de la hotte dans les fentes du panneau.

Fixez le panneau inférieur à la paroi de la hotte à l'aide de ses vis.

Reposez les panneaux de filtre tel qu'illustré.



VUE DE DESSOUS

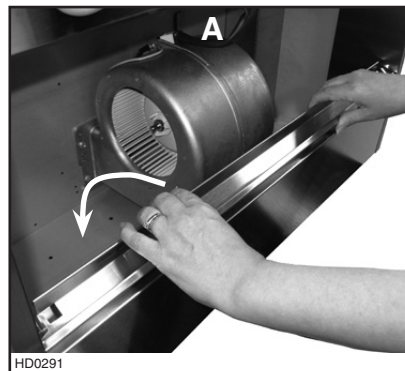


VUE DE DESSOUS

13. REPOSER LA GOUTTIÈRE À GRAISSES

- A. Centrez la gouttière à graisses au-dessus du rebord du panneau inférieur et déposez-le en place.

(Le ventilateur, montré, est pour référence seulement et ne représente pas le véritable soufflerie dans ce produit.)



HD0291

14. REPOSER LES FILTRES DE DÉFLECTEURS

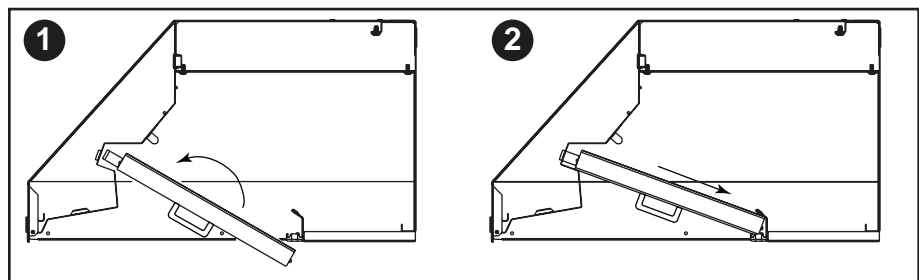
ATTENTION

Enlevez la pellicule protectrice de plastique des filtres avant de les installer.

REMARQUE : Il est conseillé d'installer d'abord les filtres des côtés puis de terminer avec le ou les filtres du centre.

1. Insérez une extrémité du filtre de déflecteur dans la rainure avant.
2. Soulevez l'autre extrémité vers l'intérieur de la hotte et insérez-la dans la gouttière à graisses.

Des filtres de rechange sont offerts chez votre détaillant. Consultez l'étiquette à l'intérieure de la hotte pour la taille et le numéro de pièce.



15. AMPOULES

Cette hotte utilise des ampoules halogènes à écran (120 V, 50 W, PAR16 à culot GU10, deux pour le modèle CPDI362 et quatre pour les modèles CPDI482 et CPDI602) (incluses).

REMARQUE : Avant d'utiliser les ampoules, enlevez le ruban adhésif d'emballage (s'il y a lieu).

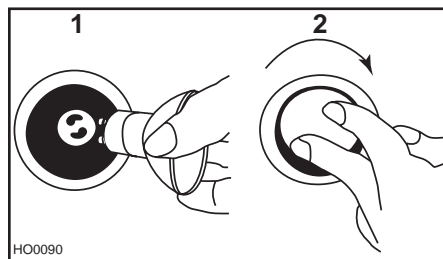
⚠ AVERTISSEMENT

Pour éviter les risques de blessure personnelle, n'utilisez pas d'ampoules qui ne conviennent pas aux luminaires fermés.

1. Posez les ampoules en insérant leurs bornes dans les encoches de la douille.
2. Appuyez légèrement sur l'ampoule et tournez-la vers la droite pour la fixer.

⚠ AVERTISSEMENT

Pour éviter les risques de blessure personnelle, n'utilisez pas d'ampoules qui ne conviennent pas aux luminaires fermés.



Pour enlever les ampoules, appuyez délicatement vers le haut et tournez vers la gauche pour dégager les bornes de l'ampoule des encoches.

REMARQUE : Si nécessaire, utilisez un gant à vaisselle pour avoir plus d'adhérence ou utilisez la ventouse BEST® pour faciliter l'enlèvement des ampoules. Pour commander cette ventouse, pièce n° 99526707, communiquez avec l'assistance technique de BEST® au 1-800-637-1453.

16. UTILISATION ET ENTRETIEN

Filtres de déflecteur

Les filtres de déflecteur doivent être nettoyés fréquemment. Utilisez une solution tiède de détergent. Lavez-les plus souvent si le type de cuisine produit plus de graisses, telle que la friture et la cuisson au wok.

Enlevez les filtres de déflecteur en les poussant vers l'avant de la hotte puis en les faisant pivoter vers le bas. Les filtres de déflecteur sont lavables au lave-vaisselle. Laissez les filtres sécher complètement avant de les réinstaller.

Nettoyez les filtres entièrement métalliques au lave-vaisselle avec un détergent sans phosphate. Une décoloration du filtre peut se produire si des détergents phosphatés sont utilisés et selon les conditions locales de l'eau, sans toutefois affecter le rendement du filtre. Cette décoloration n'est pas couverte par la garantie.

Gouttière à graisses

La gouttière à graisses doit être nettoyée fréquemment. Enlevez la gouttière de la hotte (étape 6, page 21) et lavez-la dans une solution de détergent tiède. Tout comme les filtres, lavez la gouttière plus souvent si le type de cuisine produit plus de graisses, telle que la friture et la cuisson au wok. Laissez la gouttière sécher complètement avant de la réinstaller.

Nettoyage des ventilateurs internes

Enlevez les filtres pour accéder aux ventilateurs. Nettoyez-les avec un aspirateur. Ne les plongez pas dans l'eau.

Nettoyage de la paroi de la hotte

Nettoyage de l'acier inoxydable :

À faire :

- Régulièrement, nettoyez toutes les surfaces avec un chiffon propre imbibé d'eau tiède et de savon doux ou de liquide à vaisselle.
- Nettoyez toujours dans le sens des lignes du poli original.
- Rincez toujours à l'eau propre (2 ou 3 fois) après le nettoyage. Séchez complètement en essuyant.
- Vous pouvez également utiliser un nettoyant spécial pour acier inoxydable.

À ne pas faire :

- N'utilisez pas de laine d'acier ordinaire ni de laine d'acier inoxydable ou tout genre de grattoir pour déloger la saleté.
- N'utilisez aucun nettoyant puissant ou abrasif.
- Ne laissez pas la saleté s'accumuler.
- Protégez la hotte de la poussière de plâtre ou de tout autre résidu de construction. Pendant des travaux de construction ou de rénovation, couvrez la hotte pour empêcher la poussière d'adhérer aux surfaces d'acier inoxydable.

Lors du choix d'un détergent :

- Tout nettoyant contenant de l'eau de javel attaquera l'acier inoxydable.
- Tout produit contenant : **du chlore, du fluor, de l'iode ou du brome** détériorera rapidement les surfaces.
- Tout produit combustible utilisé pour le nettoyage comme l'**acétone, l'alcool, l'éther, le benzol**, etc., est hautement explosif et ne doit jamais être utilisé à proximité d'une hotte.

17. FONCTIONNEMENT

Mettez toujours la hotte en marche avant de cuisiner afin d'établir une circulation d'air dans la cuisine. Laissez la hotte fonctionner quelques minutes après l'arrêt de la cuisinière afin de nettoyer l'air. Ceci contribuera à la propreté de toute votre cuisine.

ÉCLAIRAGE (HALOGÈNE)

L'éclairage halogène est commandé par un cadran.

- **POSITION 1 : ÉTEINT**
- **POSITION 2 : FAIBLE INTENSITÉ**
- **POSITION 3 : HAUTE INTENSITÉ**
- **POSITION 4 : ÉTEINT**
- Utilisez des ampoules halogènes à écran de 120 V, 50 W, MR16 à culot GU10 ou PAR16 à culot GU10 (incluses).

VENTILATEUR

Le ventilateur est commandé par un cadran.

- **POSITION 1 : ARRÊT**
- **POSITION 2 : RÉGIME LENT**
- **POSITION 3 : RÉGIME MOYEN**
- **POSITION 4 : RÉGIME ÉLEVÉ**
- **THERMOSTAT HEAT SENTRY^{MC}**

Votre hotte est équipée d'un thermostat Heat Sentry^{MC}. Ce dispositif actionne le ventilateur ou en augmente le régime en cas de chaleur excessive dégagée par les éléments de cuisson.

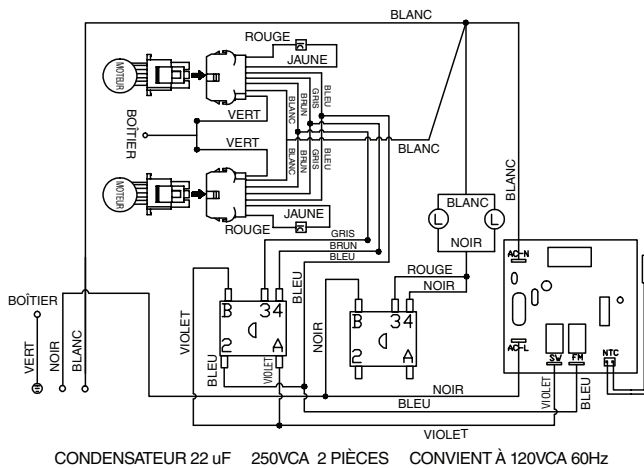
- 1) En position ARRÊT, le ventilateur est mis en MARCHÉ au régime ÉLEVÉ.
- 2) En position MARCHÉ à un régime plus lent, le ventilateur passe au régime ÉLEVÉ.

⚠ AVERTISSEMENT

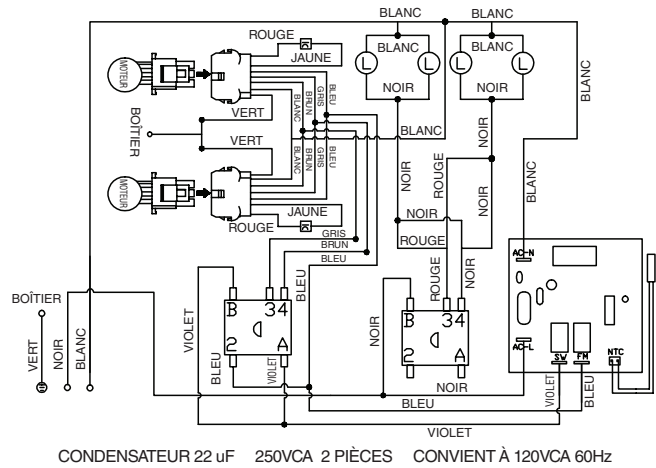
Le thermostat HEAT SENTRY peut faire démarrer le ventilateur s'il y a un feu sur la cuisinière ou dans une situation de chaleur excessive, même si la hotte est arrêtée. Dans ce cas, il est impossible d'ARRÊTER le ventilateur avec son interrupteur. Si vous devez arrêter le ventilateur, coupez le disjoncteur du panneau d'alimentation électrique.

Une fois la température revenue à la normale, le ventilateur revient à son réglage d'origine.

18. DIAGRAMME DE CÂBLAGE



MODÈLE CPDI362SB



MODÈLES CPDI482SB et CPDI602SB

19. GARANTIE

GARANTIE

GARANTIE LIMITÉE D'UN AN

Broan-NuTone LLC (« Broan-NuTone ») garantit à l'acheteur original que ses produits sont libres de tout vice de matériau ou de fabrication pour une période d'un an à compter de la date d'achat originale. CETTE GARANTIE NE COMPORTE AUCUNE AUTRE GARANTIE, EXPRESSE OU TACITE, Y COMPRIS, MAIS SANS S'Y LIMITER, LES GARANTIES TACITES DE VALEUR MARCHANDE OU D'ADAPTATION À UN USAGE PARTICULIER.

Durant cette période d'un an, Broan-NuTone réparera ou remplacera gratuitement, à sa discrétion, tout produit ou toute pièce jugés défectueux dans des conditions normales d'utilisation.

CETTE GARANTIE NE S'APPLIQUE PAS AUX TUBES FLUORESCENTS ET AUX DÉMARREURS, NI AUX AMPOULES, FUSIBLES, FILTRES, CONDUITS, CAPUCHONS DE TOIT, CAPUCHONS MURAUX ET AUTRES ACCESSOIRES POUR CONDUITS. Cette garantie ne couvre pas (a) les frais d'entretien ou de service normaux ni (b) tout produit ou toute pièce soumis à un abus, une négligence, un accident, un entretien ou une réparation inadéquats (autres que ceux effectués par Broan-NuTone), une mauvaise installation ou une installation contraire aux instructions recommandées. La durée de toute garantie tacite est limitée à la période d'un an stipulée pour la garantie expresse. Certains territoires ou provinces ne permettant pas la limitation de la durée d'une garantie implicite, la limitation ci-dessus peut ne pas s'appliquer à votre situation.

L'OBLIGATION POUR BROAN-NUTONE DE RÉPARER OU DE REMPLACER LE PRODUIT, À SA DISCRÉTION, CONSTITUE LE SEUL RECOURS DE L'ACHETEUR EN VERTU DE LA PRÉSENTE GARANTIE. BROAN-NUTONE NE PEUT ÊTRE TENUE RESPONSABLE DES DOMMAGES INDIRECTS OU CONSÉCUTIFS NI DES DOMMAGES-INTÉRÊTS PARTICULIERS DÉCOULANT DE L'UTILISATION OU DU RENDEMENT DU PRODUIT. Certains territoires ou provinces ne permettant pas la limitation ou l'exclusion des dommages indirects ou consécutifs, la limitation ou l'exclusion ci-dessus peut ne pas s'appliquer à votre situation.

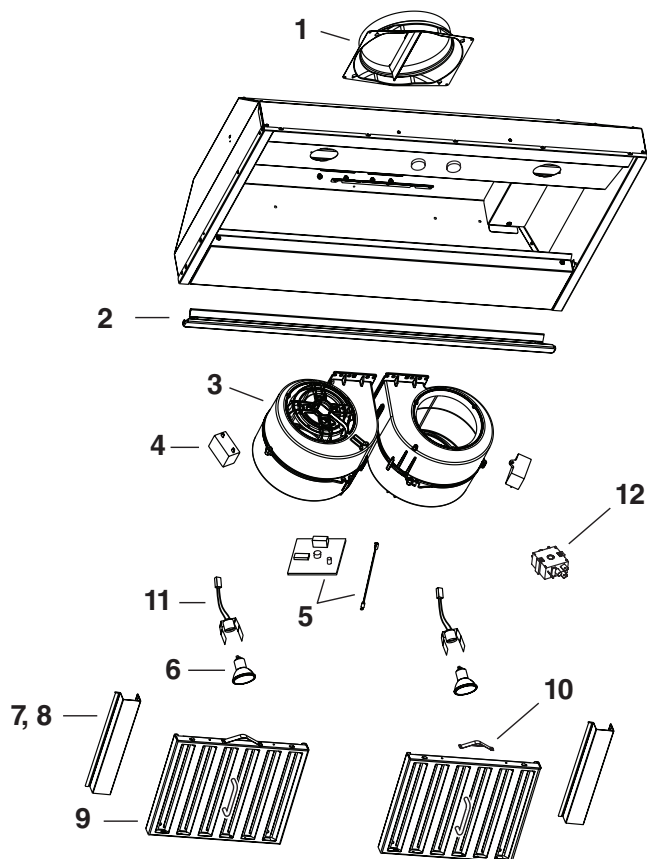
La présente garantie vous confère des droits juridiques particuliers auxquels peuvent s'ajouter d'autres droits qui varient d'un territoire ou d'une province à l'autre. Toute modification apportée à ce produit sans l'autorisation de Broan-NuTone annule cette garantie. La présente garantie remplace toutes les autres garanties précédentes.

Pour vous prévaloir de cette garantie, vous devez (a) aviser Broan-NuTone à l'adresse ou au numéro de téléphone indiqués ci-dessous, (b) donner le numéro de modèle du produit et le numéro d'identification de la pièce et (c) décrire la nature de la défectuosité du produit ou de la pièce. Lors de votre demande de garantie, vous devez présenter une preuve de la date d'achat originale.

BEST®, 926 W. State Street, Hartford, WI 53027 (1-800-637-1453)
BEST®, 550 Lemire Blvd., Drummondville, QC, Canada (1-866-737-7770)
www.BestRangeHoods.com

20. PIÈCES DE RECHANGE

Série Best CPD

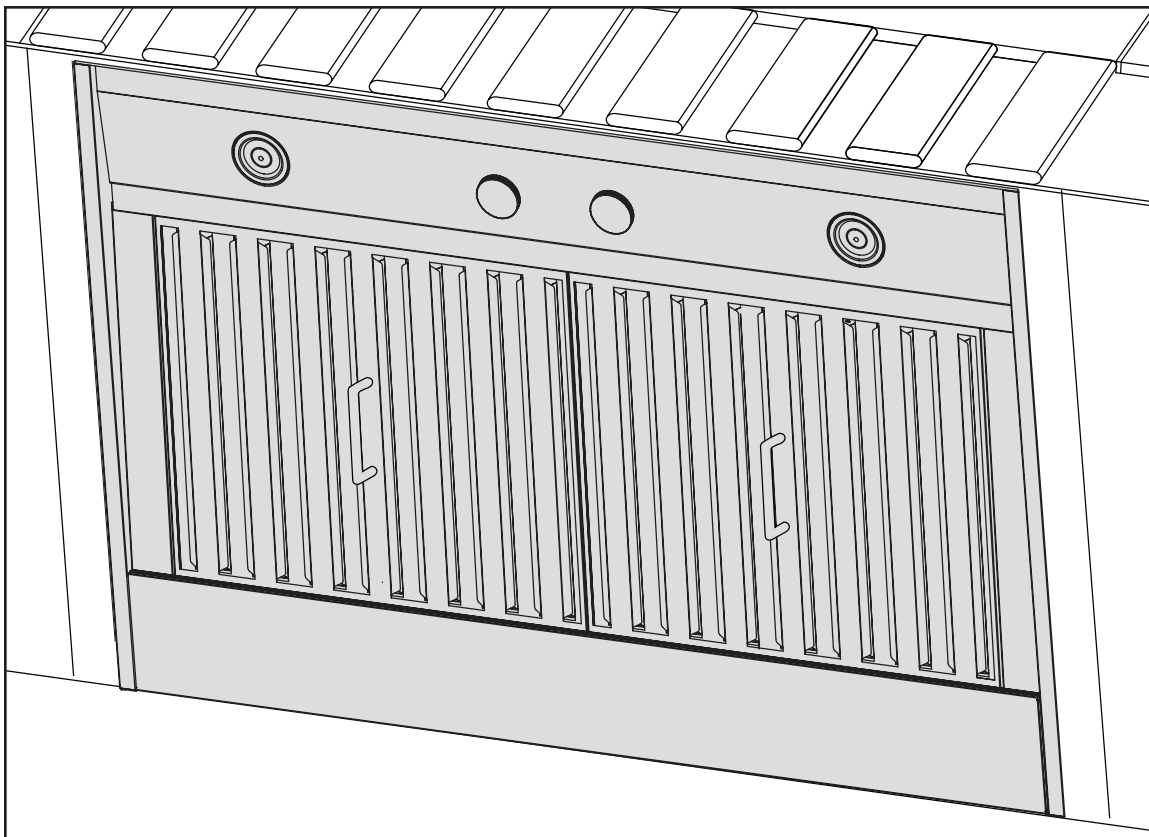


| REPÈRE | N° DE PIÈCE | DESCRIPTION | QTÉ (LARGEUR DE LA HOTTE) | | |
|--------|----------------------|---|---------------------------|-------------------|-------------------|
| | | | 91 CM (36 PO) | 122 CM (48 PO) | 152 CM (60 PO) |
| 1 | 97018874 | ADAPTATEUR ROND DE 25 CM (10 PO) | 1 | 1 | 1 |
| 2 | 98010930 98010931 | GOUTTIÈRE À GRAISSES DE 91 CM (36 PO) GOUTTIÈRE À GRAISSES DE 122 CM (48 PO) ET 152 CM (60 PO) | 1 - | - 1 | - 1 |
| 3 | 97018875 | VENTILATEUR INTERNE (2 REQUIS) | 2 | 2 | 2 |
| 4 | 99271454 | CONDENSATEUR | 2 | 2 | 2 |
| 5 | 99271455 | TABLEAU DE COMMANDE AVEC HEAT SENTRY | 1 | 1 | 1 |
| 6 | V05921 | AMPOULES HALOGÈNES À ÉCRAN (120 V, 50 W, GU-10) | 2 | 4 | 4 |
| 7 | 98010933 | PANNEAU DE FILTRE (PAIRE) (POUR 91 CM / 36 PO) | 1 | - | - |
| 8 | 98010936 | PANNEAU DE FILTRE (PAIRE) (POUR 152 CM / 60 PO) | - | - | 1 |
| 9 | 97018876 | FILTRE DE DÉFLECTEUR | 2 | 3 | 3 |
| 10 | 98010934 | RESSORT DE FILTRE (JEU DE 6) | 1 | 1 | 1 |
| 11 | 97018879 | ENSEMBLE DE DOUILLE D'AMPOULE | 2 | 4 | 4 |
| 12 | 99271456 | COMMUTATEUR ROTATIF | 2 | 2 | 2 |
| * | 97018878 | COMMUTATEUR ROTATIF | 1 | 1 | 1 |
| * | 99526707 | VENTOUSE POUR AMPOULE | 1 | 1 | 1 |

* NON ILLUSTRÉ.

99044954C

best®



SERIE CPD

Adecuado para usarse en sitios húmedos cuando se instala en un circuito de derivación protegido GFCI. Diseñado para patio exterior cubierto o techado.

⚠ INDICADO SOLAMENTE PARA COCINAR EN CASA ⚠

LEA Y CONSERVE ESTAS INSTRUCCIONES

INSTALADOR: DEJE ESTE MANUAL CON EL PROPIETARIO DE LA VIVIENDA.

PROPIETARIO DE LA VIVIENDA: INFORMACIÓN DE USO Y CUIDADO EN LAS PÁGINAS 12 a 13.

BEST®; Hartford, Wisconsin www.BestRangeHoods.com 800-637-1453

BEST®; Drummondville, QC, Canada www.BestRangeHoods.com 866-737-7770

REGISTRE SU PRODUCTO EN LÍNEA EN: www.BestRangeHoods.com/register

Si desea información adicional, visite www.BestRangeHoods.com

ADVERTENCIA

PARA REDUCIR EL RIESGO DE INCENDIOS, DESCARGAS ELÉCTRICAS O LESIONES PERSONALES, SIGA LAS SIGUIENTES PRECAUCIONES:

1. Use la unidad solo de la manera indicada por el fabricante. Si tiene preguntas, comuníquese con el fabricante a la dirección o al número telefónico que se incluye en la garantía.
2. Antes de dar servicio o limpiar la unidad, interrumpa el suministro eléctrico en el panel de servicio y bloquee los medios de desconexión del servicio para evitar que la electricidad sea reanudada accidentalmente. Cuando no sea posible bloquear los medios de desconexión del servicio, fije firmemente una señal de advertencia (como una etiqueta) en un lugar visible del panel de servicio.
3. Solo personal calificado debe realizar el trabajo de instalación y el cableado eléctrico, de acuerdo con todos los códigos y las normas correspondientes, incluidos los códigos y las normas de construcción específicos sobre protección contra incendios.
4. Es necesario suficiente aire para que se lleve a cabo una combustión y una extracción adecuadas de los gases a través del tubo de humos (chimenea) del equipo quemador de combustible, con el fin de evitar el contratiro. Siga las directrices y las normas de seguridad del fabricante del equipo de calefacción, como las publicadas por la Asociación Nacional de Protección contra Incendios (National Fire Protection Association, NFPA), y la Sociedad Americana de Ingenieros en Calefacción, Refrigeración y Aire Acondicionado (American Society for Heating, Refrigeration and Air Conditioning Engineers, ASHRAE), y las autoridades de los códigos locales.
5. Al cortar o perforar a través de la pared o del techo, tenga cuidado de no dañar el cableado eléctrico ni otros servicios ocultos.
6. Los ventiladores en conductos siempre deben ventearse hacia el exterior.
7. No use esta unidad junto con ningún dispositivo de control de velocidad de estado sólido.
8. Para reducir el riesgo de incendio, use solamente conductos metálicos.
9. Esta unidad no está diseñada para usarse con una parrilla de carbón.
10. Esta unidad debe estar conectada a tierra y protegida por un GFCI (interruptor de circuito de falla a tierra).
11. Cuando la legislación local correspondiente incluya requisitos de instalación y/o de certificación más estrictos, los requisitos ya mencionados prevalecen sobre los de este documento, y el instalador acepta cumplir con ellos a sus propias expensas.
12. Adecuado para usarse solamente en sitios húmedos cuando se instala en un circuito de derivación protegido GFCI.

PARA REDUCIR EL RIESGO DE INCENDIO PROVOCADO POR GRASA PRESENTE EN LA ESTUFA:

- a) Nunca deje desatendidas las unidades de la superficie cuando estén en ajustes altos de calor. Los alimentos en ebullición provocan derrames grasosos y con humo que se pueden incendiar. Caliente el aceite lentamente en ajustes de calor bajo o medio.
- b) Siempre ENCIENDA el paquete de potencia cuando esté cocinando a altas temperaturas o flamee alimentos (por ejemplo crepas Suzette, cerezas Jubilee, bistec con pimienta flameado).
- c) Limpie frecuentemente los ventiladores. No permita la acumulación de grasa en el ventilador ni en los filtros ni en los conductos de escape.
- d) Use una cacerola del tamaño adecuado. Siempre use utensilios de cocina que sean apropiados para el tamaño del elemento de la superficie.

ADVERTENCIA

PARA REDUCIR EL RIESGO DE LESIONES A PERSONAS EN CASO DE UN INCENDIO PRODUCIDO POR GRASA EN UNA ESTUFA, OBSERVE LO SIGUIENTE*:

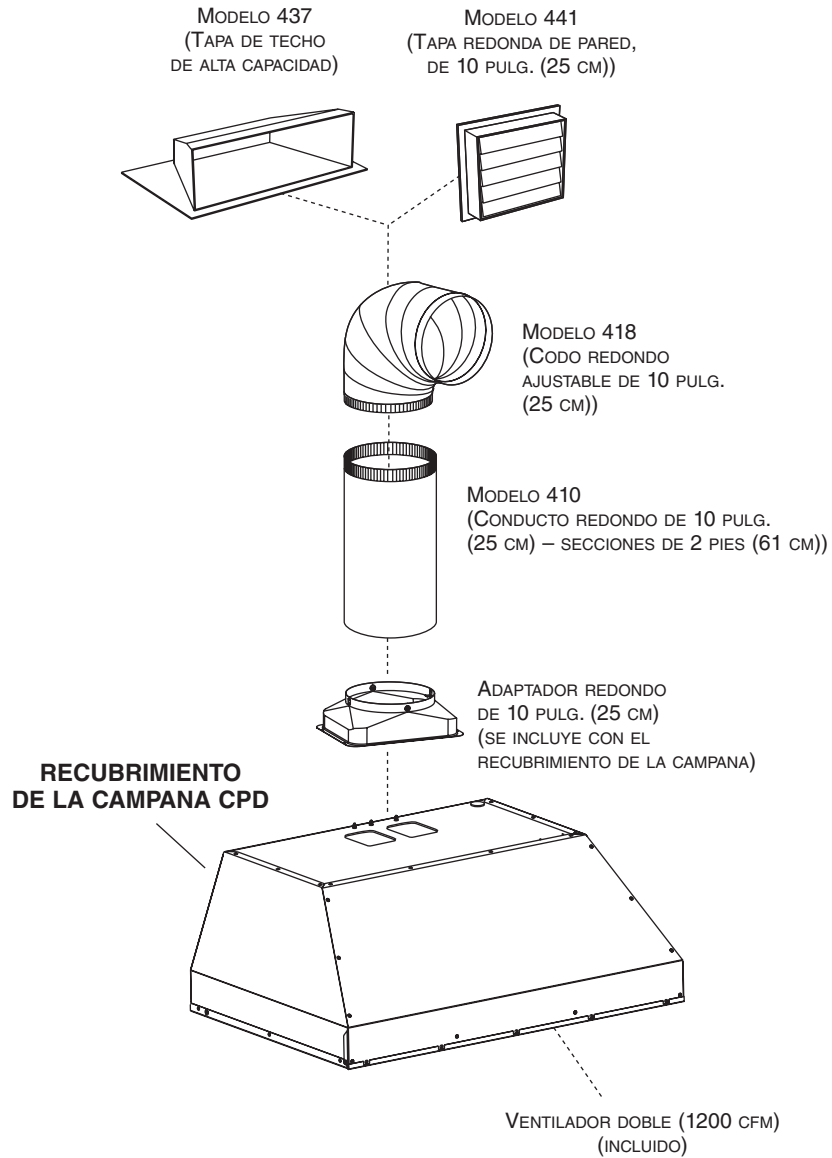
1. APAGUE LAS LLAMAS con una tapa de ajuste exacto, una charola para galletas o una bandeja de metal, y después apague el quemador. PROCEDA CON CUIDADO PARA EVITAR QUEMADURAS. SI LAS LLAMAS NO SE APAGAN INMEDIATAMENTE, EVACÚE EL ÁREA Y LLAME AL DEPARTAMENTO DE BOMBEROS.
2. NUNCA LEVANTE UNA CACEROLA INCENDIADA, porque podría sufrir quemaduras.
3. NO USE AGUA ni toallas húmedas, ya que provocará una violenta explosión de vapor.
4. Use un extintor SOLO si:
 - A. Tiene un extintor clase ABC y usted sabe cómo usarlo.
 - B. El incendio es pequeño y está confinado al área en la que se inició.
 - C. Se ha llamado al departamento de bomberos.
 - D. Puede combatir el incendio teniendo la espalda orientada hacia una salida.

*Basado en "Kitchen Fire Safety Tips" (Sugerencias para la seguridad contra incendios en la cocina) publicado por NFPA.

PRECAUCIÓN

1. Solo para usarse como medio de ventilación general. No debe usarse para la extracción de materiales o vapores peligrosos o explosivos.
2. Para evitar daños a los cojinetes del motor y rotores ruidosos o desbalanceados, mantenga la unidad de potencia protegida contra rociados de yeso, polvos de construcción, etc.
3. Este motor de inserción tiene una protección contra sobrecargas térmicas que apagará el motor automáticamente en caso de sobrecalentamiento. El motor reanudará su funcionamiento cuando se enfríe. Si el motor continúa apagándose y encendiéndose, solicite servicio para el paquete de potencia.
4. La distancia mínima del paquete de potencia sobre la superficie de la estufa no debe ser menor de 36 pulg. (91 cm).
5. Se recomienda que dos personas hagan la instalación debido al gran tamaño y peso de esta unidad.
6. Para reducir el riesgo de incendio y para extraer adecuadamente el aire, asegúrese de dirigir el aire hacia el exterior. No extraiga el aire hacia espacios contenidos entre paredes o cielos rasos, ni hacia áticos, sótanos bajos ni la cochera.
7. Este producto está equipado con un termostato que podría iniciar automáticamente el funcionamiento del ventilador. Para reducir el riesgo de lesiones personales y para evitar que la electricidad sea reanudada accidentalmente, interrumpa el suministro eléctrico en el panel de servicio y bloquee o rotule este panel.
8. Debido a la alta capacidad de extracción de esta unidad, debe asegurarse de que entre suficiente aire a la casa para reemplazar el aire extraído abriendo una ventana cercana o en la cocina.
9. Para reducir el riesgo de incendio y de descarga eléctrica, solamente debe instalar modelos Best serie CPD con ventiladores integrados. No se pueden utilizar otros ventiladores.
10. Lea la etiqueta de especificaciones del producto para ver información y requisitos adicionales.

- SISTEMA DE RECUBRIMIENTO DE CAMPANA CPD -



1. INSTALE LOS CONDUCTOS Y EL CABLEADO ELÉCTRICO

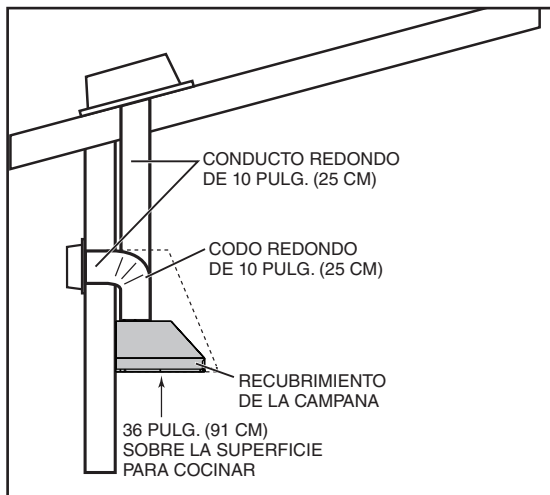
INSTALACIÓN

Instale conductos, codos y tapa para techo o muro de tamaño adecuado al tipo de ventilador que está instalando. Utilice un conducto redondo de 10 pulg. (25 cm). Use cinta para conductos metálica para sellar las uniones de conductos.

La distancia mínima del recubrimiento de la campana sobre la superficie de la estufa no debe ser menor de 36 pulg. (91 cm).

Las distancias mayores de 36 pulg. (91 cm) se deben manejar a discreción del usuario y de la persona encargada de la instalación.

Coloque cable eléctrico de 3 alambres en el sitio de la instalación. Su longitud debe prolongarse por lo menos 4 pies (122 cm) por debajo de la parte inferior de la campana a la medida.



**CONDUCTOS TÍPICOS DEL CPD
(VENTILADOR DOBLE INTERNO)**

2. PREPARE LA INSTALACIÓN

⚠ ADVERTENCIA

Cuando realice la instalación, el servicio o la limpieza de la unidad, se recomienda que use gafas de seguridad y guantes.

NOTA: Antes de continuar con la instalación, revise el contenido de la caja. Si faltan artículos o si están dañados, comuníquese con el fabricante.

Asegúrese de que se han incluido los siguientes elementos:

-Recubrimiento de la campana

-Accesorios:

- Filtros deflectores (2 para anchuras de 36 pulg. [91 cm], 3 para anchuras de 48 y 60 pulg. [122 y 152 cm])
- Lámparas de halógeno protegidas (120 V, 50 W, MR16 con base GU10 o PAR16 con base GU10) (2 para CPDI362, 4 para todos los demás modelos)
- Adaptador redondo de 10 pulg. (25 cm)
- Bolsa de piezas que incluye: 12 – tornillos de cabeza plana 8 x ½ pulg. (16 para CPDI602), 4 – tornillos de cabeza troncocónica M4 x 6, 1 – herramienta de taza de succión, 3 – tuercas de alambre

Piezas que se venden por separado:

- Conductos, codos, tapas para pared y techo. Consulte la lista completa de opciones de ventilación y números de modelos en las páginas 3 y 4.

NOTA: Durante la instalación, proteja la cubierta y/o la superficie de la estufa.

3. PREPARACIÓN DE LA CAMPANA A LA MEDIDA

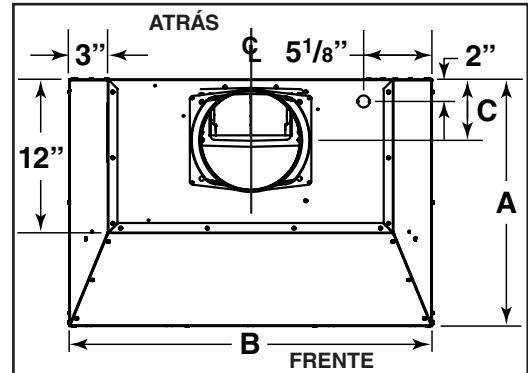
⚠ ADVERTENCIA

Quando arme una campana a la medida, siga siempre todos los códigos y normas de construcción correspondientes.

La campana a la medida debe construirse para adecuarse en tamaño y forma al recubrimiento de la campana CPD. Consulte los detalles en el cuadro y la ilustración.

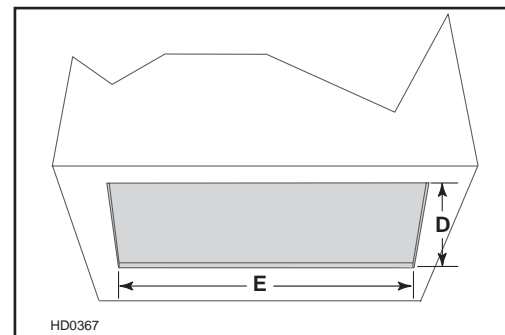
| RECUBRIMIENTO DE LA CAMPANA | | PESO TOTAL | DIMENSIONES DE LA CAMPANA | | |
|-----------------------------|---------|----------------|---------------------------|--------------------|------------------|
| SERIE | MODELO | | *A | *B | C |
| CPD | CPDI362 | 73 LB (33 kg) | 22 1/2" (57.2 cm) | 34 3/8" (87.3 cm) | 5 7/8" (14.9 cm) |
| | CPDI482 | 88 LB (40 kg) | 22 1/2" (57.2 cm) | 46 3/8" (117.8 cm) | 5 7/8" (14.9 cm) |
| | CPDI602 | 102 LB (46 kg) | 22 1/2" (57.2 cm) | 58 7/8" (149.5 cm) | 5 7/8" (14.9 cm) |

* Las dimensiones A y B incluyen las cabezas de los remaches.



Para reducir al mínimo la separación alrededor del recubrimiento de la campana, tome mediciones reales de ancho y de fondo del recubrimiento de la campana y agregue 1/16 pulg. (1.6 mm) para obtener las mediciones D y E. Corte el orificio en la parte inferior del gabinete de acuerdo con las dimensiones. Consulte los detalles en el cuadro y la ilustración.

| RECUBRIMIENTO DE LA CAMPANA | | DIMENSIONES DEL CORTE | |
|-----------------------------|---------|-------------------------|---------------------------|
| SERIE | MODELO | D | E |
| CPD | CPDI362 | 22 9/16 pulg. (57.3 cm) | 34 7/16 pulg. (87.5 cm) |
| | CPDI482 | 22 9/16 pulg. (57.3 cm) | 46 7/16 pulg. (118.0 cm) |
| | CPDI602 | 22 9/16 pulg. (57.3 cm) | 58 15/16 pulg. (149.7 cm) |



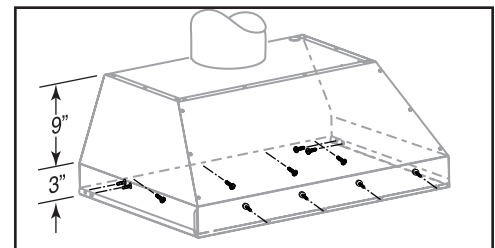
4. MONTAJE DE LA ESTRUCTURA INTERNA DE LA CAMPANA A LA MEDIDA

⚠ ADVERTENCIA

La campana de madera debe estar bien fija a montantes de pared u otra estructura de madera detrás de la placa de yeso. Asegúrese de que sea capaz de soportar su propio peso y el peso del CPD. De no hacerlo, podría ocasionar lesiones personales o daños a la cubierta o a la estufa.

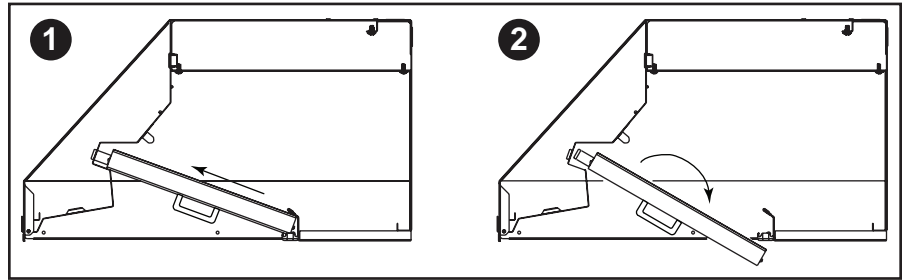
El recubrimiento de campana CPD está apoyado por la estructura interna de la campana con doce (12) tornillos de cabeza plana 8 x 1/2 pulg. (16 tornillos para CPDI602), que se incluyen en la bolsa de piezas.

Dado que los orificios de montaje del recubrimiento de campana CPD se encuentran en los lados delantero y trasero (vea la ilustración a la derecha), planifique instalar el marco de madera al frente y a los lados para tener apoyo.



5. RETIRE LOS FILTROS DEFLECTORES

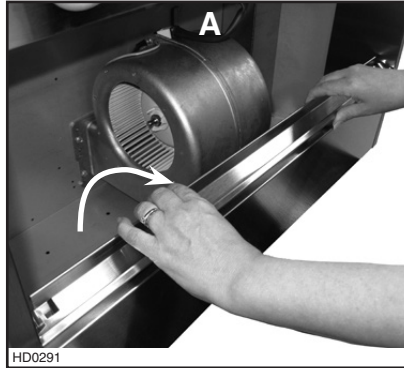
Retire la cinta de los filtros. Saque los filtros del paquete de potencia y deje a un lado. Se recomienda comenzar con los filtros centrales.



6. RETIRE EL RIEL PARA ESCURRIMIENTOS DE GRASA

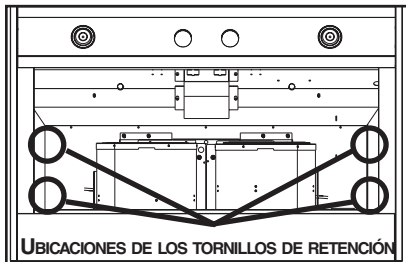
A. Levante el riel para escurrimientos de grasa para desmontarlo del panel inferior.

(El soplador, que se muestra, es sólo para referencia y no representa la real soplador en este producto.)



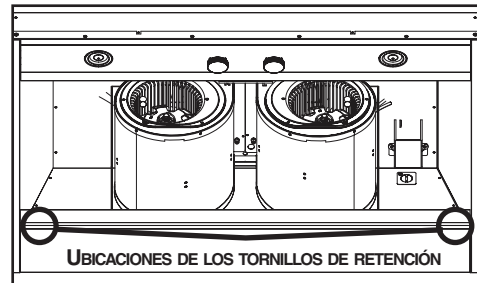
7. RETIRE EL PANEL INFERIOR

Con un destornillador Phillips, retire ambos paneles de relleno del filtro inferior.



VISTA INFERIOR

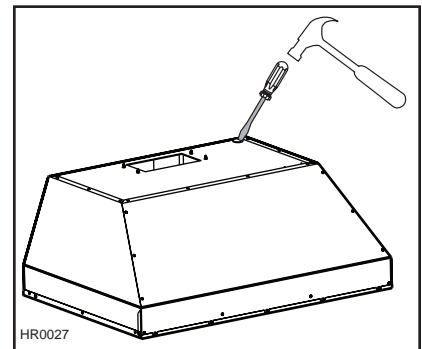
Desmonte el panel inferior, levántelo, sáquelo y póngalo a un lado.



VISTA INFERIOR

8. RETIRE LA ABERTURA DEL AGUJERO CIEGO

Desde el interior del recubrimiento de la campana, retire la cubierta del cableado y deje a un lado. Marque el orificio del agujero ciego para la instalación eléctrica en la parte superior de la campana. Instale la abrazadera para cables (se incluye en la bolsa de piezas).



9. INSTALE EL ADAPTADOR DE 10 PULG. (25 CM)

Utilizando cuatro (4) tornillos M4 x 6 de la bolsa de piezas, arme el adaptador en la parte superior del recubrimiento de la campana. Selle todas las uniones con cinta para conductos metálica para eliminar fugas de aire.



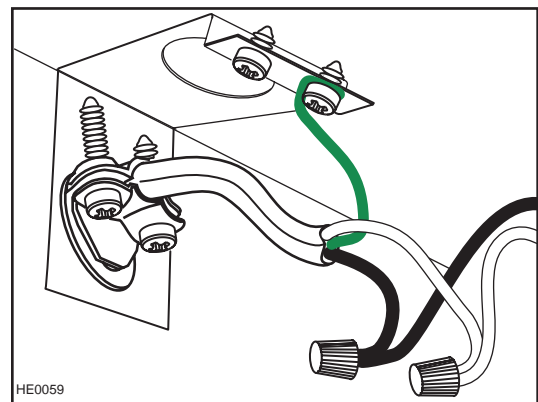
10. CONECTE EL CABLEADO

⚠ ADVERTENCIA

Riesgo de descarga eléctrica. El personal calificado debe realizar el trabajo de cableado eléctrico, de acuerdo con todos los códigos y normas correspondientes. Antes de conectar los cables, interrumpa el suministro eléctrico en el panel de servicio y bloquee los medios de desconexión del servicio para evitar que la electricidad sea reanudada accidentalmente.

Coloque el recubrimiento de la campana debajo de la campana a la medida instalada.

VENTILADORES INTERIORES: Inserte el cableado de la vivienda a través de la abrazadera para cables que instaló en el paso 8. Apriete la abrazadera para asegurar el cable. Conecte el cable a la caja de cableado con conectores para cables. Conecte NEGRO con NEGRO, BLANCO con BLANCO y VERDE o desnudo al tornillo VERDE de puesta a tierra. **NO SE OLVIDE DE CONECTAR LA TIERRA.** Regrese a su lugar la cubierta del cableado.



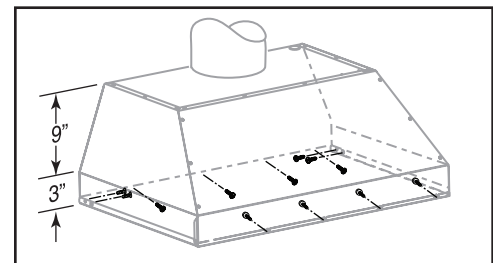
11. INSTALE EL PAQUETE DE POTENCIA

PRECAUCIÓN

Tenga cuidado de no doblar los conductos cuando instale el paquete de potencia.

Con los tornillos suministrados, instale el recubrimiento de la campana dentro de la campana a la medida. Comience con 2 tornillos en las esquinas delanteras, luego use 4 tornillos para los lados, y use el resto de los tornillos para terminar de asegurar el recubrimiento de la campana delantero. (Vea las ubicaciones específicas de los tornillos de montaje en la figura a la derecha.)

Asegúrese de que el adaptador/deflector (o el adaptador) entre a los conductos. Cuando tenga acceso a la parte superior del recubrimiento de campana, selle las conexiones con cinta para conductos metálica.

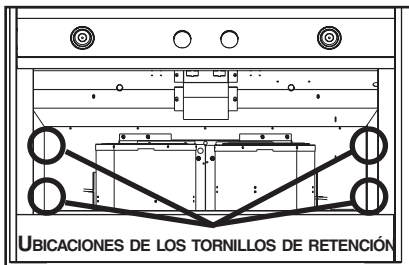


12. REINSTALE EL PANEL INFERIOR

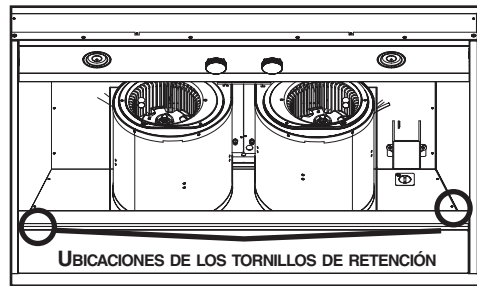
Levante el panel inferior y acople las lengüetas metálicas del recubrimiento de la campana en las ranuras del panel inferior.

Asegure el panel inferior al recubrimiento de la campana utilizando sus tornillos.

Reinstale los paneles de relleno del filtro tal como se muestra.



VISTA INFERIOR

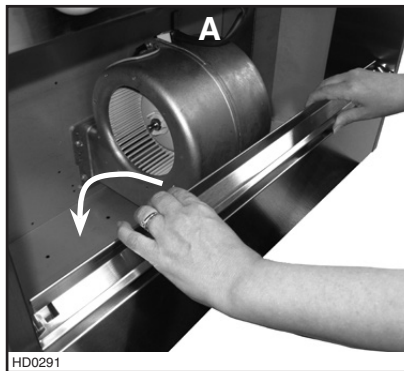


VISTA INFERIOR

13. REINSTALE EL RIEL PARA ESCURRIMIENTOS DE GRASA

- A. Centre el riel para escurrimientos de grasa sobre la parte inferior del borde del panel y colóquelo en su lugar.

(El soplador, que se muestra, es sólo para referencia y no representa la real soplador en este producto.)



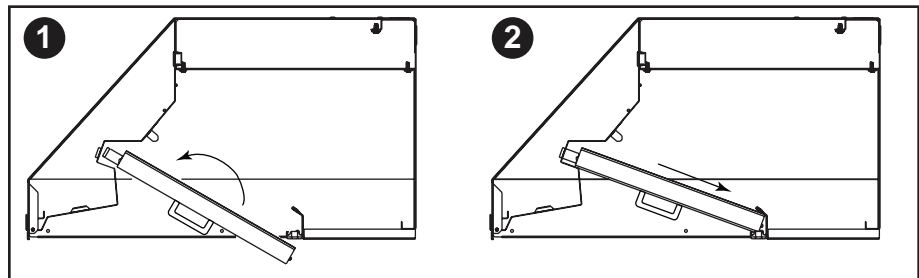
14. REINSTALE LOS FILTROS DEFLECTORES

PRECAUCIÓN

Retire la película plástica de protección que cubre los filtros antes de instalarlos.

NOTA: Se recomienda instalar primero los filtros laterales y terminar con los filtros centrales.

1. Inserte un extremo del filtro deflector en el canal delantero de la campana.
2. Levante el otro extremo hacia el interior del recubrimiento de la campana e inserte el riel para escurrimientos de grasa del recubrimiento de la campana.



Los filtros de repuesto se pueden conseguir con el distribuidor. Vea la etiqueta situada en el interior del recubrimiento de la campana para ver el tamaño y el número de pieza.

15. BOMBILLAS

Este paquete de potencia debe usar lámparas de halógeno protegidas (120 V, 50 W PAR16 con base GU10, 2 para el CPDI362 y 4 para los CPDI482 y CPDI602), que se incluyen.

NOTA: Antes de usar las lámparas, retire la cinta de envío colocada sobre ellas (si la hubiera).

⚠ ADVERTENCIA

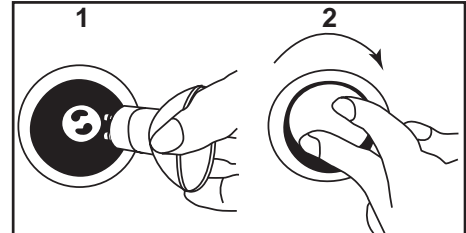
Con el fin de prevenir el riesgo de lesiones personales, no instale una lámpara que no sea adecuada para accesorios cerrados.

Para quitar las lámparas, empuje suavemente hacia arriba y gire hacia la izquierda para desacoplar los contactos de la bombilla de sus ranuras.

⚠ ADVERTENCIA

Con el fin de prevenir el riesgo de lesiones personales, no instale una lámpara que no sea adecuada para accesorios cerrados.

1. Instale las lámparas colocando los contactos de la bombilla en las ranuras del enchufe.
2. Empuje suavemente hacia arriba y gire hacia la derecha hasta que esté bien fija.



NOTA: De ser necesario, use un guante de caucho para lavar platos para tener más sujeción al quitar la bombilla, o use una herramienta con taza de succión disponible con BEST® para facilitar el proceso de quitar las bombillas. Para ordenar la herramienta con taza de succión, número de pieza 99526707, llame al departamento de Apoyo técnico de BEST® al 1-800-637-1453.

16. USO Y CUIDADO

Filtros deflectores

Los filtros deflectores se deben limpiar con frecuencia. Use una solución tibia de detergente y agua. Lave con más frecuencia si su estilo de cocinar genera más cantidad de grasa, como al freír alimentos o cocinar en sartén china (wok).

Retire los filtros deflectores empujando hacia el frente del recubrimiento de la cubierta y girando hacia abajo. Los filtros deflectores se pueden lavar en lavaplatos. Permita que los filtros sequen totalmente antes de volverlos a instalar.

Limpie los filtros completamente metálicos en el lavaplatos con un detergente sin fosfatos. El filtro se puede decolorar si se utilizan detergentes con fosfatos o como resultado de la condición del agua local, pero esto no afectará el rendimiento del filtro. Esta decoloración no está cubierta por la garantía.

Riel para escurrimiento de grasa

El riel para escurrimiento de grasa se debe limpiar con frecuencia. Retírelo del recubrimiento de la campana (vea el paso 6 de la página 36) y use una solución tibia de detergente y agua. Tal como los filtros deflectores, lave con más frecuencia si su estilo de cocinar genera más cantidad de grasa, como al freír alimentos o cocinar en sartén china (wok). Permita que el riel seque totalmente antes de volverlo a instalar.

Limpieza de los ventiladores interiores

Retire los filtros con el fin de acceder a los ventiladores. Limpie los ventiladores con aspiradora. No los sumerja en agua.

Limpieza del recubrimiento de la campana

Limpieza del acero inoxidable:

Cosas que puede hacer:

- Regularmente, lave con una tela o trapo limpio remojado con agua tibia y jabón o detergente líquido para platos.
- Siempre limpie en la dirección de las líneas originales de pulido.
- Siempre enjuague bien con agua limpia (2 o 3 veces) después de la limpieza. Séquelo por completo.
- También puede usar un limpiador casero especializado para acero inoxidable.

Cosas que no debe hacer:

- Usar lana de acero o acero inoxidable ni algún otro tipo de raspador para quitar mugre difícil de sacar.
- Usar limpiadores fuertes ni abrasivos.
- Dejar que se acumule la mugre.
- Dejar que el polvo forme plastas ni que quede en la campana algún otro residuo de la construcción. Durante la construcción o la renovación, cubra el paquete de potencia para estar seguro de que el polvo no se pegue a la superficie de acero inoxidable.

Al elegir un detergente, evite lo siguiente:

- Todo limpiador que contenga **blanqueador**, pues atacará al acero inoxidable.
- Todo producto que contenga: **cloruro, fluoruro, yoduro, bromuro**, pues deteriorará las superficies rápidamente.
- Todo producto combustible utilizado para la limpieza, como **acetona, alcohol, éter, benzol**, etc., pues son altamente explosivos y nunca se deben usar cerca de una estufa.

17. FUNCIONAMIENTO

Encienda siempre el recubrimiento de la campana antes de comenzar a cocinar para establecer un flujo de aire en la cocina. Deje el ventilador funcionando unos cuantos minutos para despejar el aire después de apagar la estufa. Esto ayudará a mantener toda la cocina más limpia y brillante.

LUZ DE LA ESTUFA (HALÓGENO)

Las luces de halógeno se controlan con el indicador de carátula.

- **POSICIÓN 1: APAGADO**
 - **POSICIÓN 2: BAJO**
 - **POSICIÓN 3: ALTO**
 - **POSICIÓN 4: APAGADO**
- Use lámparas de halógeno protegidas de 120 V, 50 W, MR16 con base GU10 o PAR16 con base GU10 (incluidas).

VENTILADOR

El ventilador se controla con el indicador de carátula.

- **POSICIÓN 1: APAGADO**
- **POSICIÓN 2: BAJO**
- **POSICIÓN 3: MEDIO**
- **POSICIÓN 4: ALTO**
- **TERMOSTATO HEAT SENTRY™**

Este recubrimiento de campana está equipado con un termostato Heat Sentry™. Este termostato es un dispositivo que encenderá el ventilador o aumentará su velocidad si detecta un calor excesivo sobre la superficie de cocinado.

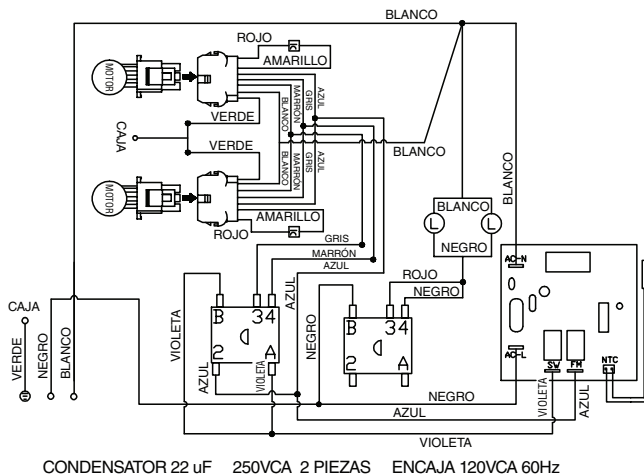
- 1) Si el ventilador está APAGADO: ENCIENDE el ventilador a ALTA velocidad.
- 2) Si el ventilador está ENCENDIDO a una velocidad menor: pone el ventilador a ALTA velocidad.

ADVERTENCIA

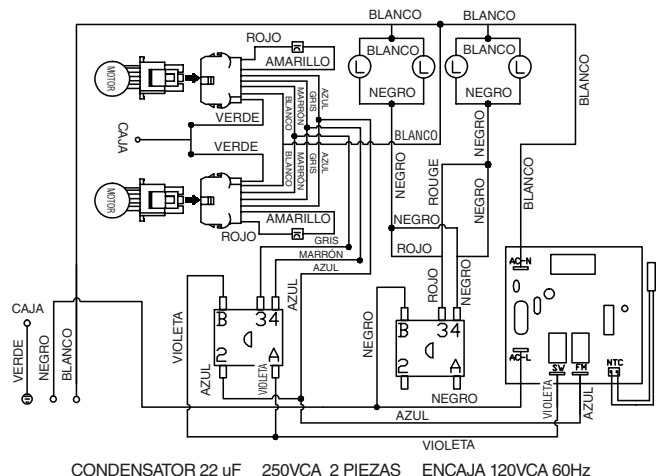
El termostato HEAT SENTRY puede encender el ventilador cuando exista un incendio en la estufa o en otras situaciones de calor excesivo, aunque la campana esté apagada. En este caso, es imposible APAGAR el ventilador con el interruptor. Si debe apagar el ventilador, hágalo desde el panel eléctrico principal.

Cuando la temperatura disminuye a valores normales, el ventilador regresa a su posición original.

18. DIAGRAMA DE CABLEADO



MODELO CPDI362SB



MODELOS CPDI482SB y CPDI602SB

19. GARANTÍA

GARANTÍA

GARANTÍA LIMITADA DE UN AÑO

Broan-NuTone LLC ("Broan-NuTone") garantiza al consumidor comprador original de sus productos que tales productos estarán libres de defectos en materiales o mano de obra durante un período de un año a partir de la fecha de la compra original. NO EXISTEN OTRAS GARANTÍAS, EXPLÍCITAS O IMPLÍCITAS, INCLUYENDO, ENTRE OTRAS, GARANTÍAS IMPLÍCITAS DE COMERCIALIZACIÓN O APTITUD PARA UN PROPÓSITO PARTICULAR.

Durante este período de un año, Broan-NuTone, a su criterio, reparará o reemplazará sin cargo alguno cualquier pieza o producto que se encuentre defectuoso bajo condiciones normales de uso y servicio.

LA PRESENTE GARANTÍA NO CUBRE TUBOS, ARRANCADORES Y BOMBILLAS DE LÁMPARAS FLUORESCENTES, FUSIBLES, FILTROS, CONDUCTOS, TAPAS DE TECHO, TAPAS DE PARED Y DEMÁS ACCESORIOS DE CANALIZACIÓN. Esta garantía no cubre (a) mantenimiento y servicio normales, ni (b) ningún producto o piezas que se hayan sometido a uso inadecuado, negligencia, accidente, mantenimiento o reparación inadecuada (no hecha por Broan-NuTone), instalación incorrecta o instalación en contra de las instrucciones de instalación recomendadas. La duración de cualquier garantía implícita se limita a un período de un año, como se especifica en la garantía expresa. Algunos estados o provincias no permiten limitaciones en cuanto al tiempo de vencimiento de una garantía implícita, por lo que la limitación antes mencionada podría no aplicarse a usted.

LA OBLIGACIÓN DE BROAN-NUTONE DE REPARAR O REEMPLAZAR, A CRITERIO DE BROAN-NUTONE, SERÁ EL ÚNICO Y EXCLUSIVO RECURSO DEL COMPRADOR BAJO ESTA GARANTÍA. BROAN-NUTONE NO SERÁ RESPONSABLE POR DAÑOS INCIDENTALES, RESULTANTES O ESPECIALES QUE SURJAN DEL USO O DESEMPEÑO DEL PRODUCTO O EN RELACIÓN CON EL MISMO. Algunos estados o provincias no permiten la exclusión o limitación de daños incidentales o resultantes, por lo que la limitación antes mencionada podría no aplicarse a usted.

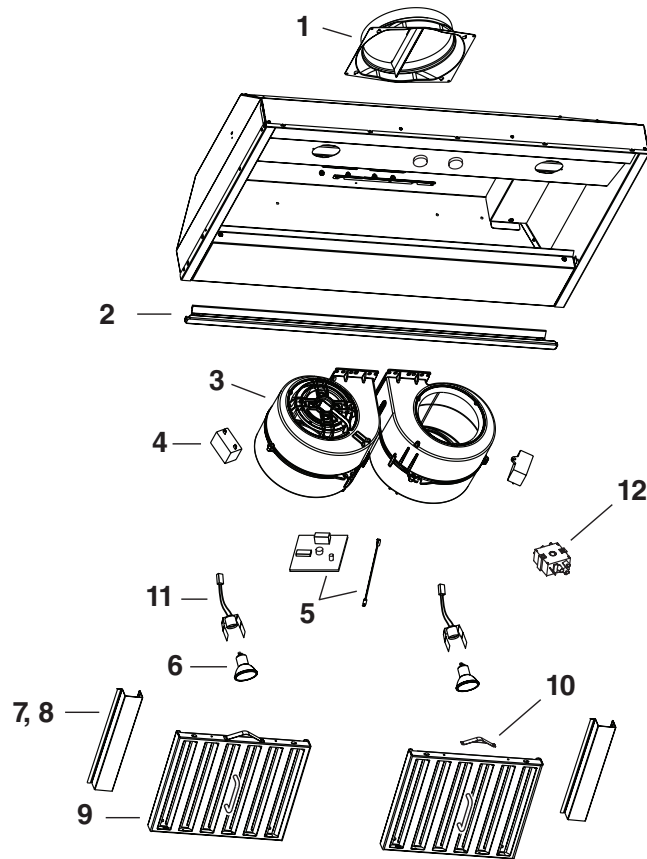
Esta garantía le otorga derechos legales específicos, y usted podría tener otros derechos que varían de un estado o de una provincia a otra. Toda modificación realizada a este producto sin autorización de Broan-NuTone anulará esta garantía. Esta garantía sustituye todas las garantías anteriores.

Para tener derecho al servicio de la garantía, usted debe (a) notificar a Broan-NuTone a la dirección y número de teléfono que aparecen abajo, (b) proporcionar el número de modelo y la identificación de la pieza y (c) describir la naturaleza de cualquier defecto en el producto o pieza. En el momento de solicitar el servicio cubierto por la garantía, debe presentar un comprobante de la fecha original de compra.

BEST®, 926 W. State Street, Hartford, WI 53027 (1-800-637-1453)
BEST®, 550 Lemire Blvd., Drummondville, QC, Canada (1-866-737-7770)
www.BestRangeHoods.com

20. PIEZAS DE SERVICIO

Best Serie CPD



| CLAVE N.º | N.º DE PIEZA | DESCRIPCIÓN | CANT. (ANCHO DEL PAQUETE DE POTENCIA) | | |
|-----------|----------------------|---|---------------------------------------|-------------------|-------------------|
| | | | 36 pulg. (91 cm) | 48 pulg. (122 cm) | 60 pulg. (152 cm) |
| 1 | 97018874 | ADAPTADOR REDONDO DE 10 PULG. (25 CM) | 1 | 1 | 1 |
| 2 | 98010930 98010931 | RIEL PARA GRASA DE 36 PULG. (91 CM) RIEL PARA GRASA DE 48 PULG. (122 CM) Y 60 PULG. (152 CM) | 1 - | - 1 | - 1 |
| 3 | 97018875 | VENTILADOR INTERNO (SE REQUIEREN 2) | 2 | 2 | 2 |
| 4 | 99271454 | CAPACITOR | 2 | 2 | 2 |
| 5 | 99271455 | TARJETA DE CONTROL CON HEAT SENTRY | 1 | 1 | 1 |
| 6 | V05921 | LÁMPARAS DE HALÓGENO PROTEGIDAS (120 V, 50 W, GU-10) | 2 | 4 | 4 |
| 7 | 98010933 | RELLENO DE FILTRO (PAR) (PARA 36") | 1 | - | - |
| 8 | 98010936 | RELLENO DE FILTRO (PAR) (PARA 60") | - | - | 1 |
| 9 | 97018876 | FILTRO DEFLECTOR | 2 | 3 | 3 |
| 10 | 98010934 | RESORTE PARA FILTRO (JUEGO DE 6) | 1 | 1 | 1 |
| 11 | 97018879 | CONJUNTO DE CUBIERTA DE LÁMPARA | 2 | 4 | 4 |
| 12 | 99271456 | INTERRUPTOR GIRATORIO | 2 | 2 | 2 |
| * | 97018878 | BOLSA CON PIEZAS | 1 | 1 | 1 |
| * | 99526707 | HERRAMIENTA PARA QUITAR BOMBILLAS CON TAZA DE SUCCIÓN | 1 | 1 | 1 |

* NO SE MUESTRA.

99044954C