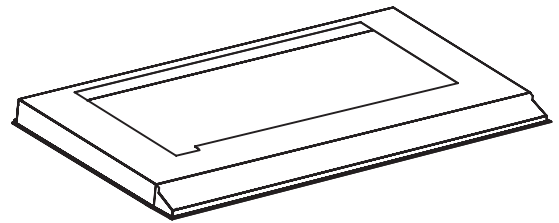


L3336S, L3342S, L4548S, L4554S, AND L4560S LINERS



Especially designed to protect the exterior base of a custom hood. Fit PIK inserts.

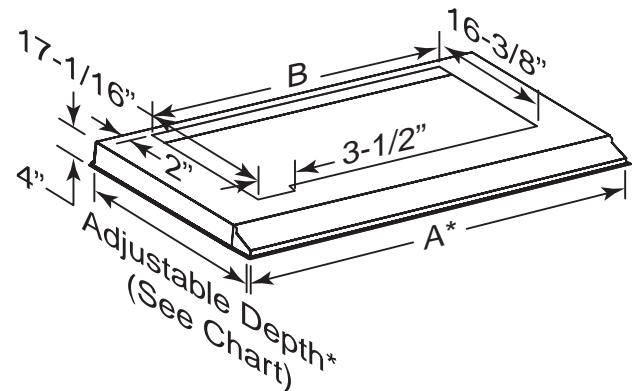
FEATURES

- Cabinet mount – custom application
- Stainless Steel Finish
- Adjustable depth to fit into cabinet openings as shown on chart (front to back)
- Fit custom hood nominal widths: 36", 42", 48", 54" or 60"
- Wipes clean easily
- For indoor use only

TO ORDER

Refer to table below to find the right inner part number for your insert and for width of the custom hood.

DIMENSIONS



* Dimension does not include 3/8" wide flanges.

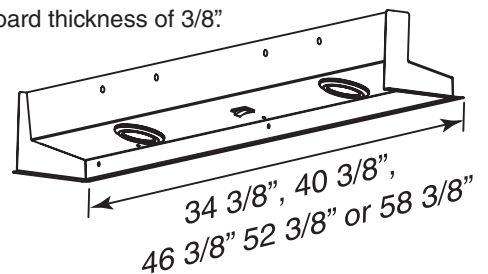
Liner Model	Insert Model	Custom Hood Nominal Width	Adjustable Depth* Fits into cabinet openings of		Width A*	Cut-out Width B
			Without Backboard	With Backboard		
L3336	PIK33	36"	23 1/2" to 26 1/2"	23 1/8" to 26 1/8"	34 3/8"	32 1/2"
L3342	PIK33	42"	23 1/2" to 26 1/2"	23 1/8" to 26 1/8"	40 3/8"	32 1/2"
L4548	PIK45	48"	23 1/2" to 26 1/2"	23 1/8" to 26 1/8"	46 3/8"	44 1/2"
L4560	PIK45	60"	23 1/2" to 26 1/2"	23 1/8" to 26 1/8"	58 3/8"	44 1/2"
L3336S	PIK33	36"	22 7/8" to 25 7/8"	22 1/2" to 25 1/2"	34 3/8"	32 1/2"
L3342S	PIK33	42"	22 7/8" to 25 7/8"	22 1/2" to 25 1/2"	40 3/8"	32 1/2"
L4548S	PIK45	48"	22 7/8" to 25 7/8"	22 1/2" to 25 1/2"	46 3/8"	44 1/2"
L4554S	PIK45	54"	22 7/8" to 25 7/8"	22 1/2" to 25 1/2"	52 3/8"	44 1/2"
L4560S	PIK45	60"	22 7/8" to 25 7/8"	22 1/2" to 25 1/2"	58 3/8"	44 1/2"

The INSIDE DEPTH shown in the table above assumes a minimum cabinet backboard thickness of 3/8"

OPTION

Ambient light panel (ALP Series) for L Series custom hood liners (Halogen lighting: 36" and 42" – 2 x 50 watt; 48", 54" or 60" – 3 x 50 watt GU10) Lamps included

Ambient Light Panel
ALP Series



BEST Hartford, Wisconsin www.BestRangeHoods.com 800-558-1711
BEST Drummondville, QC, Canada www.BestRangeHoods.com 866-737-7770

REFERENCE	QTY.	REMARKS	Project
			Location
			Architect
			Engineer
			Contractor
			Submitted by Date