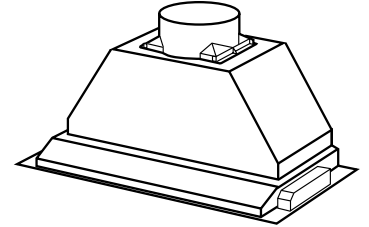


PKEX2238SS RANGE HOOD



Exterior blower provides higher exhaust options, ranging from 600 to 1500 CFM.

Specially designed to be installed in custom canopy hoods for use over residential commercial-style cooking surfaces.

FEATURES

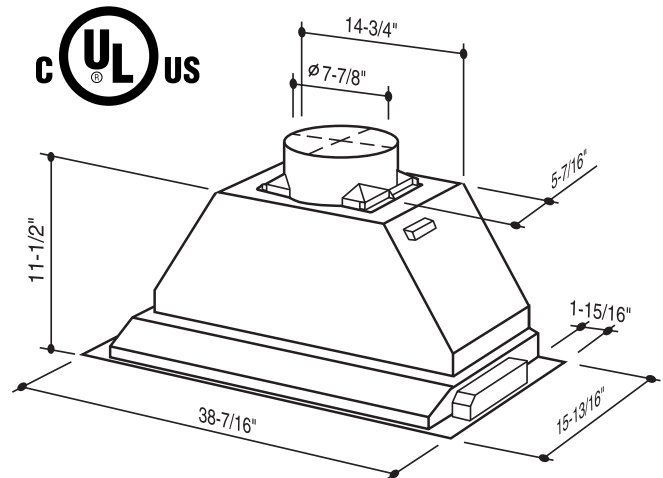
- Italian design
- Cabinet mount – custom application
- Finish: 304 Stainless Steel #3 Brushed
- Width: 38-7/16"
- 8" round duct connector/backdraft damper
- Halogen lighting. (4 bulbs included. Type GU10, MR16 shielded, 120 volt, 50 watts max.)
- Slide controls: on-off, infinite speed
- Exterior mounted blower available in either 600, 900, 1200, or 1500 CFM
- Easily accessible, dishwasher-safe aluminum/stainless steel filters
- Heat Sentry™ - automatically turns blower to high speed when excess cooking heat is detected

OPTIONS

- 8" to 10" transition (Model 414)
- Stainless liner (Model Nos. L3848, L3854, L3860)
- Ambient light panel (Model Nos. ALP48, ALP54, ALP60)
- Interior blower version (PK22) available, providing 1000 CFM of exhaust

SPECIFICATIONS

WITH OPTIONAL BLOWER MODELS		BLOWER CFM	VOLTS	AMPS	DUCT
EB6	wall or roof mount remote blowers	600 max.	120	0.43 (lights only) + 6.0 max. (blower only)	8-in. round at the hood. See blower specs for duct requirements.
EB9		900 max.			
EB12		1200 max.			
EB15		1500 max.			
ILB3	attic installed inline blowers	280 max.			
ILB6		600 max.			
ILB9		800 max.			
ILB11		1100 max.			

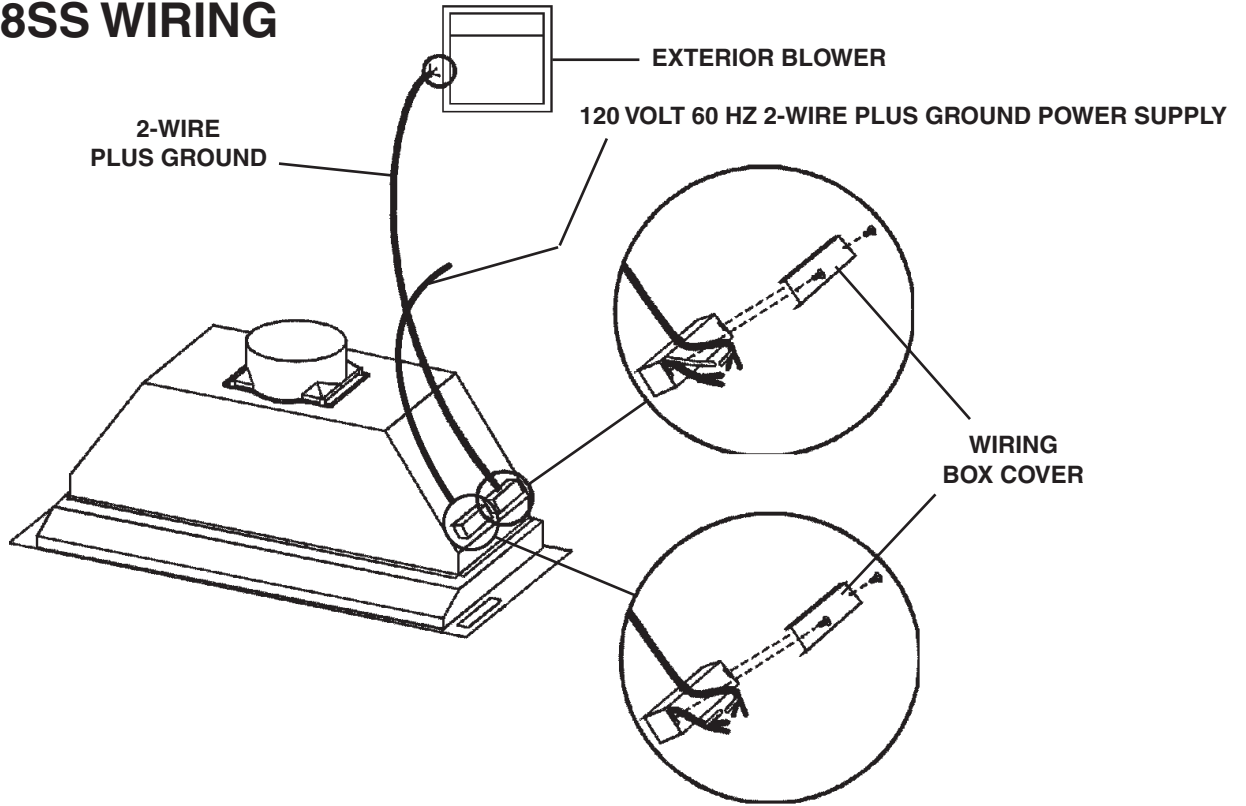


Mount range hood so bottom of hood is 24" to 30" above cooking surface.

Best P.O. Box 140 Hartford, Wisconsin www.BestRangeHoods.com 800-558-1711

REFERENCE	QTY.	REMARKS	Project
			Location
			Architect
			Engineer
			Contractor
			Submitted by
			Date

PKEX2238SS WIRING



PKEX2238SS MOUNTING

