

INSTALLATION INSTRUCTIONS



THERMADOR PROFESSIONAL® SERIES MICROWAVE OVEN

Thermador ★
REAL INNOVATIONS FOR REAL COOKS

INSTALLATION INSTRUCTIONS

Microwave
Micro-ondes

Models/Modèle/Modelo
MU30RSC

Installation instructions	4
Notice de montage.....	17

Thermador 

Table of Contents

Safety Definitions	4
IMPORTANT SAFETY INSTRUCTIONS	5
Appliance Handling Safety	5
Safety Codes and Standards	5
Electric Safety	5
Microwave Safety	5
Related Equipment Safety	6
State of California Proposition 65 Warnings	6
Checklist for Installation	7
Before you begin	7
Removing Packaging	7
Tools and parts needed	7
Parts included	8
Location requirements	8
Power Requirements	9
Electrical Installation	9
Install Appliance	10
Removing the mounting plate	10
Finding the wall studs	10
Possible wall stud configurations	10
Attaching the mounting plate to the wall	11
Adapting microwave blower	12
Preparing cabinet	13
Mounting the microwave oven	13
Hood exhaust	14
Testing Operation	16
THERMADOR® Support	16
Before Calling Service	16
Data Plate	16
Service	16
Parts and Accessories	16

This THERMADOR Appliance is made by

BSH Home Appliances Corporation

1901 Main Street, Suite 600

Irvine, CA 92614

Questions?

1-800-735-4328

www.thermador.com

We look forward to hearing from you!

Safety Definitions

▲ WARNING

This indicates that death or serious injuries may occur as a result of non-observance of this warning.

▲ CAUTION

This indicates that minor or moderate injuries may occur as a result of non-observance of this warning.

NOTICE: This indicates that damage to the appliance or property may occur as a result of non-compliance with this advisory.

Note: This alerts you to important information and/or tips.

IMPORTANT SAFETY INSTRUCTIONS

READ AND SAVE THESE INSTRUCTIONS

INSTALLER: LEAVE THESE INSTRUCTIONS WITH THE APPLIANCE AFTER INSTALLATION IS COMPLETE.

IMPORTANT: SAVE THESE INSTRUCTIONS FOR THE LOCAL ELECTRICAL INSPECTOR'S USE.

WARNING

If the information in this manual is not followed exactly, fire or shock may result causing property damage or personal injury.

WARNING

Do not repair, replace or remove any part of the appliance unless specifically recommended in the manuals. Improper installation, service or maintenance can cause injury or property damage. Refer to this manual for guidance. All other servicing should be done by an authorized servicer.

Appliance Handling Safety

Unit is heavy and requires at least two people or proper equipment to move.

Do not lift appliance by door handle.

Hidden surfaces may have sharp edges. Use caution when reaching behind or under appliance.

Safety Codes and Standards

This appliance complies with the latest version of one or more of the following standards:

- CAN/CSA C22.2 No. 61 - Household Cooking Ranges
- UL 858 - Household Electric Ranges
- CAN/CSA C22.2 No. 150 - Microwave Ovens
- UL 923 - Microwave Cooking Appliances
- UL 507 - Electric Fans
- CAN/CSA C22.2 No. 113 - Fans and Ventilators
- CSA C22.2 No. 64 - Household Cooking and Liquid-Heating Appliances
- UL 1026 - Electric Household Cooking and Food Serving Appliances

It is the responsibility of the owner and the installer to determine if additional requirements and/or standards apply to specific installations.

Electric Safety

WARNING

Before you plug in an electrical cord or turn on power supply, make sure all controls are in the OFF position.

For appliances equipped with a cord and plug, do not cut or remove the ground prong. It must be plugged into a matching grounding type receptacle to avoid electrical shock. If there is any doubt as to whether the wall receptacle is properly grounded, the customer should have it checked by a qualified electrician.

If required by the National Electrical Code (or Canadian Electrical Code), this appliance must be installed on a separate branch circuit.

Installer – show the owner the location of the circuit breaker or fuse. Mark it for easy reference.

Before installing, turn power OFF at the service panel. Lock service panel to prevent power from being turned ON accidentally.

Be sure your appliance is properly installed and grounded by a qualified technician. Installation, electrical connections and grounding must comply with all applicable codes.

Microwave Safety

PRECAUTIONS TO BE OBSERVED BEFORE AND DURING SERVICING TO AVOID POSSIBLE EXPOSURE TO EXCESSIVE MICROWAVE ENERGY

- Do not operate or allow the oven to be operated with the door open.
- Make the following safety checks on all ovens to be serviced before activating the magnetron or other microwave source, and make repairs as necessary:
 1. Interlock operation
 2. Proper door closing
 3. Seal and sealing surfaces (arcing, wear, and other damage)
 4. Damage to or loosening of hinges and latches
 5. Evidence of dropping or abuse
- Before turning on microwave power for any service test or inspection within the microwave generating compartments, check the magnetron, wave guide or transmission line, and cavity for proper alignment, integrity, and connection.
- Any damaged or misadjusted components in the interlock, monitor, door seal, and microwave generation and transmission systems shall be repaired, replaced, or adjusted by procedures described in this manual before the oven is released to the owner.
- A microwave leakage check to verify compliance with the Federal Performance Standard should be performed on each oven prior to release to the owner.

IMPORTANT SAFETY INSTRUCTIONS

READ AND SAVE THESE INSTRUCTIONS

GROUNDING INSTRUCTIONS

This appliance must be grounded. Grounding reduces the risk of electric shock by providing a safe pathway for electric current in the event of a short circuit.

This appliance is equipped with a cord having a grounding wire with a grounding plug. The plug must be plugged into an outlet that is properly installed and grounded.

WARNING

Improper grounding can result in a risk of electric shock. Consult a qualified electrician if the grounding instructions are not completely understood, or if doubt exists as to whether the appliance is properly grounded. Do not use an extension cord. If the power supply cord is too short, have a qualified electrician install an outlet near the appliance.

Related Equipment Safety

Remove all tape and packaging before using the appliance. Destroy the packaging after unpacking the appliance. Never allow children to play with packaging material.

Never modify or alter the construction of the appliance. For example, do not remove leveling legs, panels, wire covers or anti-tip brackets/screws.

WARNING

To reduce the risk of fire, use only metal ductwork.

CAUTION

For general ventilating use only. Do not use to exhaust hazardous or explosive materials and vapors.

WARNING

Do not operate gas cooktop burners without pots in place. The open flame may overheat the microwave oven above.

State of California Proposition 65 Warnings:

WARNING

This product can expose you to chemicals including vinyl chloride, which is known to the State of California to cause cancer and birth defects or other reproductive harm. For more information go to www.P65Warnings.ca.gov.

Checklist for Installation

⚠ IMPORTANT:

Thermador microwave model MU30RSC is approved for installation above Pro Harmony® 5-burner range models PRD305PH / PRG305PH / PRL305PH only.

Use this checklist to verify that you have completed each step of the installation process. This can help you avoid common mistakes.

Refer to detailed instructions for each step in the sections following this checklist.

1. Before installing the appliance, be sure to verify the cabinet dimensions are correct for your appliance and that the required electrical connections are present. Make sure the electrical cord provided on the appliance is able to reach to the point of connection.
Sections: Location requirements, Electrical installation
2. Move the appliance into place in front of the cabinet opening.
Section: Removing Packaging
3. Remove packaging materials, leaving the bottom packaging on the appliance to avoid damage to the floor.
Section: Removing Packaging
4. Remove the mounting plate from the rear of the appliance.
Section: Install Appliance - Removing the mounting plate

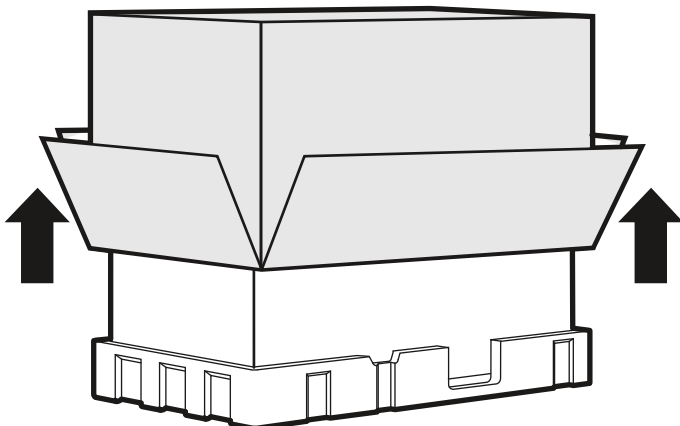
5. Find wall studs.
Section: Install Appliance - Finding the wall studs
6. Attach the mounting plate to the wall.
Section: Install Appliance - Attaching the mounting plate to the wall
7. Adapt the microwave blower.
Section: Install Appliance - Adapting the microwave blower
8. Prepare the cabinet for mounting.
Section: Install Appliance - Preparing cabinet
9. At least two persons are needed to lift the appliance; tilt and hook the appliance to the holding plate.
Section: Install Appliance - Mounting the microwave oven
10. Push the appliance all the way into place and fasten the holding screws through top cabinet holes.
Section: Install Appliance - Mounting the microwave oven
11. Use correct hood exhaust.
Section: Install Appliance - Hood exhaust
12. Test the microwave oven for proper functioning.
Section: Testing operation

Always read and follow the complete installation instructions contained in this manual.

Before you begin

Removing Packaging

1. Remove filter, accessories and hardware. Do not remove the Styrofoam protecting the front of the oven.
2. Fold back all four carton flaps fully against carton sides. Then carefully roll the oven and carton over onto the top side. The oven should be resting in the Styrofoam.
3. Pull the carton up and off the oven.



4. Cut the middle of the outer protective plastic bag to remove the mounting plate.

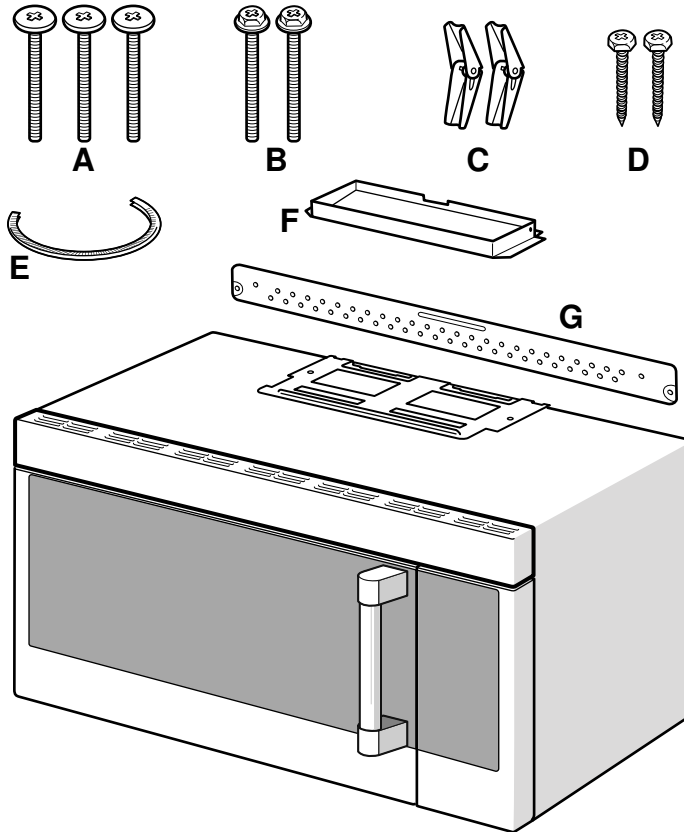
Tools and parts needed

- Philips head screwdriver
- Pencil
- Ruler or tape measure and straight edge
- Drill
- Drill bits: 3/16", 1/2", 5/8"
- Gloves
- Saw (saber, hole or keyhole)
- Stud finder or hammer
- Safety goggles
- Level
- Duct and masking tape

Optional tools

- Carpenter square
- Tin snips (to cut damper)
- Scissors (to cut cabinet template)
- Filler blocks or scrap wood pieces (for recessed bottom cabinet installations)

Parts included



You will find the installation hardware contained in packet with the unit. Check to make sure you have all these parts:

- A Top mounting bolts:
Self-aligning machine screws 1/4" - 28x3 1/4"
- B Toggle bolts - 3/16"x3"
- C Wall mounting hardware:
Toggle wings
- D Wood screws 1/4"x2"
- E Nylon grommet (for metal cabinets)
- F Exhaust adaptor
- G Mounting plate
(attached to the back of the microwave oven)

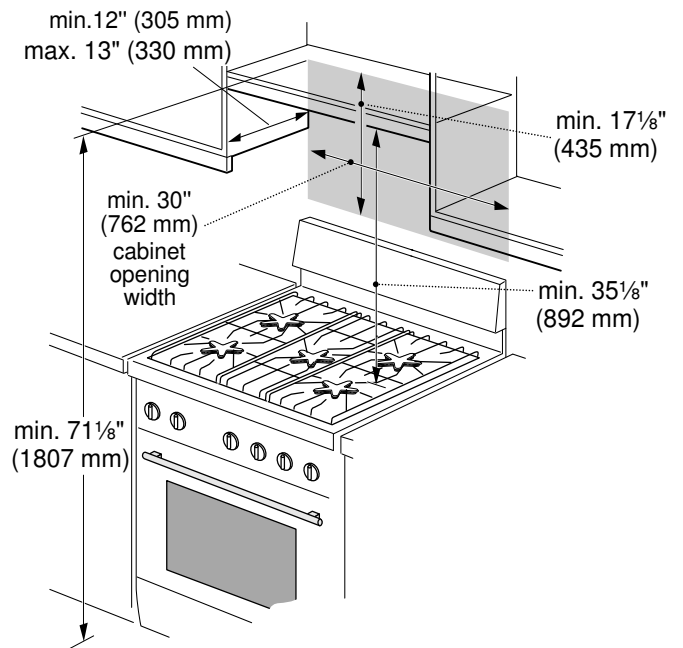
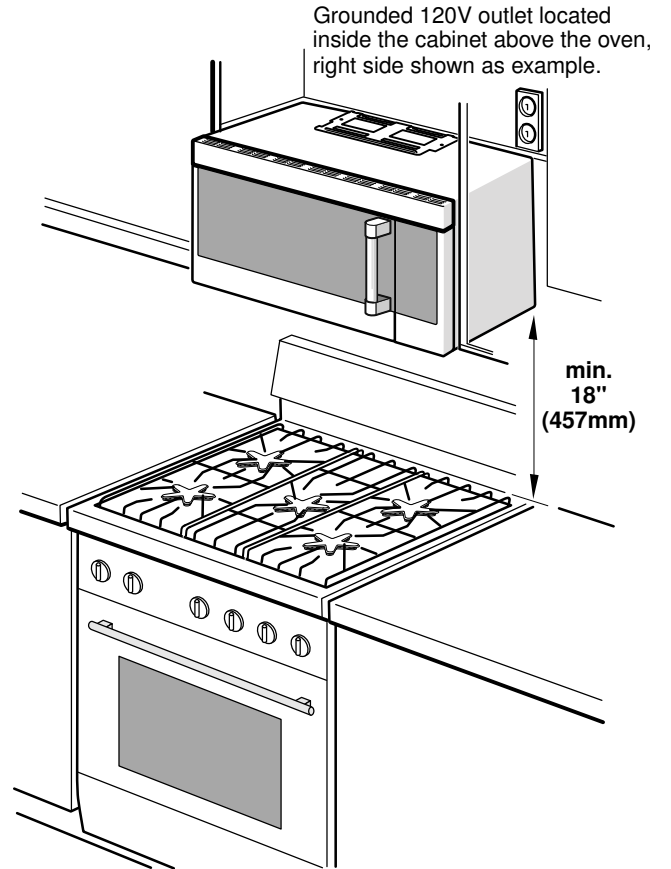
Not shown:

- Top cabinet template
- Rear wall template
- Aluminum grease filters

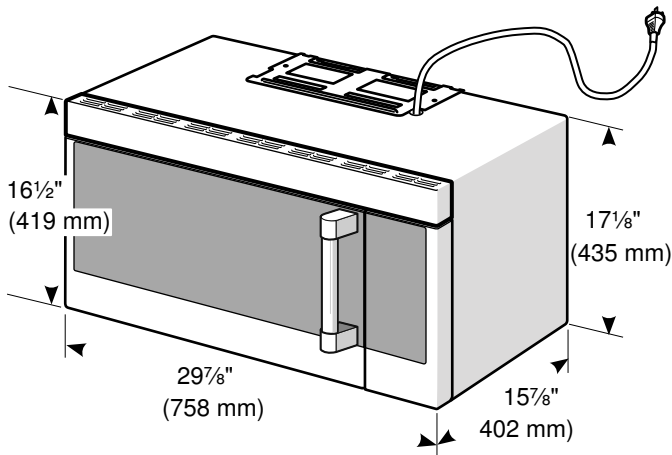
- Charcoal filter (factory fitted in the microwave oven)

Location requirements

Installation dimensions



Appliance dimensions



Note: Take into account that the front and rear measurements of the appliance are not identical.

Power Requirements

The outlet must be properly grounded in accordance with all applicable codes.

It can be installed anywhere inside the cabinet above the appliance, within reach of the power cord (approx. 24 in).

Electrical Installation

The model stated on the front cover is rated at 120V AC, 60 Hz and uses a NEMA 5-15 plug to connect to a dedicated 120 V microwave circuit.

Model	Connection	Circuit Requirements
MU30RC	NEMA 5-15	120 V, 15 Amps 60 Hz

Electrical Requirements:

- a three prong grounded outlet
- 120 V, 60 Hz, AC only
- 15 Amp electrical supply with a fuse or a circuit breaker

This product must be connected to a supply circuit of the proper voltage and frequency. Wire size must conform to the requirements of the National Electric Code or the prevailing local code for this rating. The power supply cord and plug should be brought to a separate 20-amp branch circuit single grounded outlet. The outlet box should be located in the area behind the appliance (see section *Cabinet Dimensions*). The outlet box and supply circuit should be installed by a qualified electrician and conform to the National Electrical Code or the prevailing local code.

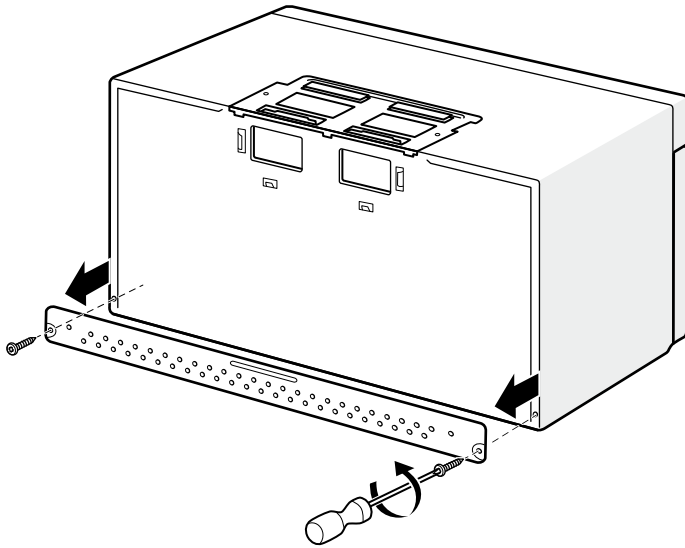
The voltage used must be the same as specified on this microwave oven. Using a higher voltage is dangerous and may result in a fire or oven damage. Using a lower voltage will cause slow cooking. The manufacturer is not responsible for any damages resulting from the use of the oven with any voltage other than specified.

Install Appliance

Removing the mounting plate

Note: To avoid possible damage to the work surface or to the bottom of the appliance, cover the work surface.

1. Remove any remaining contents from the microwave oven cavity.
2. Remove the screws from the mounting plate.



The mounting plate will be used as the rear wall template and for mounting.

3. Reinstall the screws into the holes where they were removed.

Note: To avoid damage to the microwave oven, do not grip or use the door or door handle while the microwave oven is being handled.

Finding the wall studs

Note: The microwave must be connected to at least one wall stud. If no wall studs exist within the cabinet opening, do not install the microwave oven.

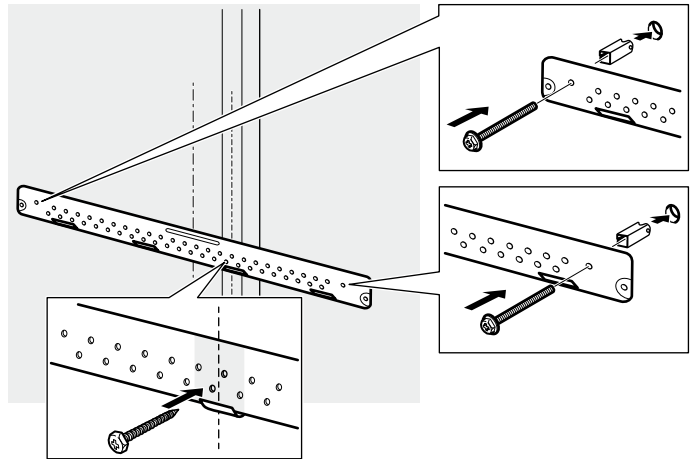
1. Locate the edges of the wall studs within the cabinet opening by using:
 - a stud finder or
 - a hammer (tapping lightly across the mounting surface to find a solid sound).
2. Place a mark halfway between the edges and draw a line down the center of the studs (See possible wall studs configuration).

Possible wall stud configurations

These depictions show examples of preferred installation configurations with the mounting plate.

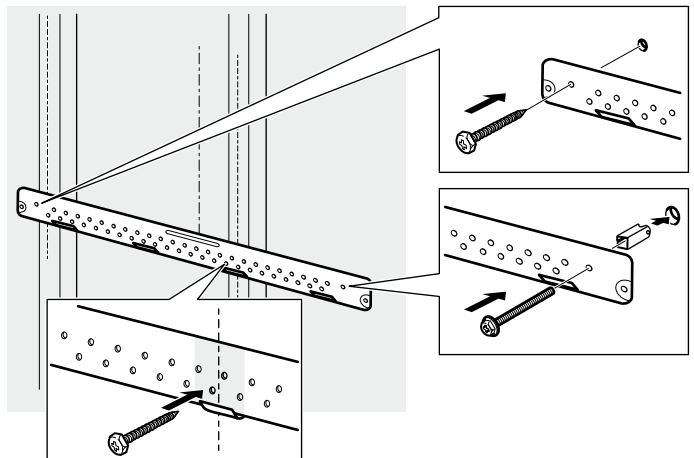
Note: Care must be taken when drilling holes. Electrical wires may be concealed behind the wall covering and contact with them could result in electrical shock.

No wall studs at corner holes

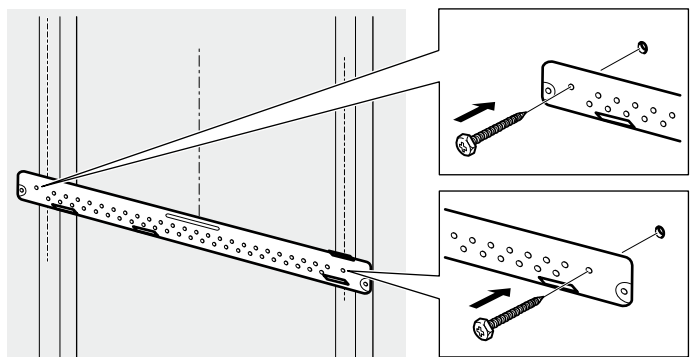


If wall stud is within 6¼" (159 mm) of the vertical centerline, only Room Venting (recirculation) or Roof Venting installations can be done.

Wall stud at one corner hole



Wall studs at both corner holes



Attaching the mounting plate to the wall

Preparing rear wall

▲ CAUTION

Wear gloves to avoid cutting fingers on sharp edges.

Note: Make sure the cabinet bottom is level.

1. Draw a vertical line on the wall at the center of the cabinet space.
2. Cabinet with front overhang: Draw a line on the back wall equal to the depth of the front overhang.
3. Tape the REAR WALL TEMPLATE onto the wall matching the centerline and touching the bottom of the cabinet or the level line.
4. Draw a horizontal line on the wall at the bottom of the Rear Wall Template.
5. Drill holes at locations A and B:
 - 3/16" (5 mm) holes for wood screws (stud)
 - 5/8" (16 mm) holes for toggle bolts (no stud)

Note: If neither A nor B is in a stud, find a stud somewhere in the area of the mounting plate and drill a 3/16" (5 mm) hole.

It is important to use at least one wood screw mounted firmly in a stud to support the weight of the microwave.

6. **Wall venting installation only:** Cut out the shaded area "F" on the REAR WALL TEMPLATE using a saber or keyhole saw.

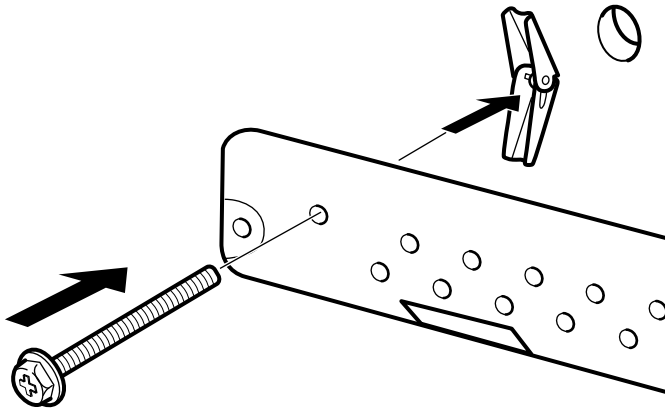
▲ CAUTION

If exhaust adaptor is positioned outside consider recommended dimensions, otherwise grease-laden air will discharge into house structure.

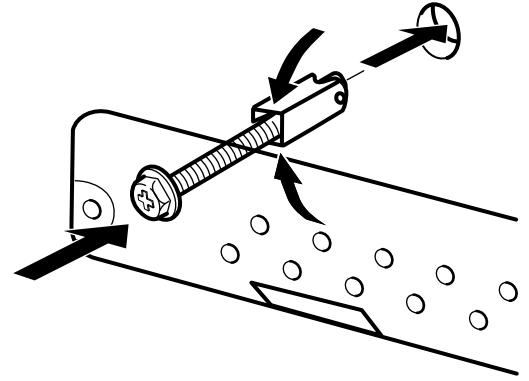
7. Remove REAR WALL TEMPLATE.

Attaching the mounting plate

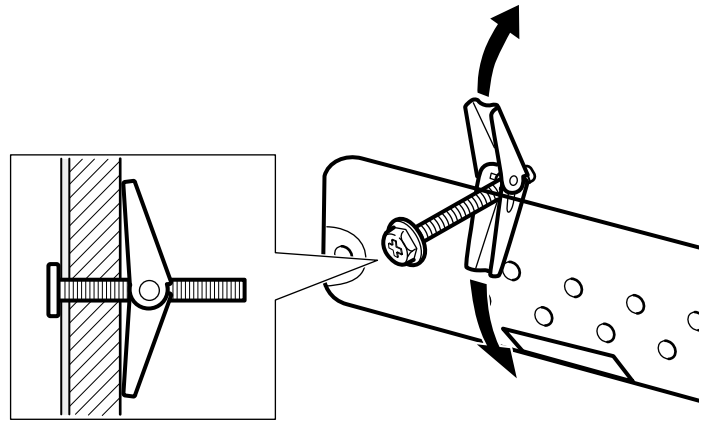
1. Remove the toggle wings from the bolts.
2. Insert the bolts into the mounting plate through the holes designated to go into drywall.



3. Attach toggle wings from the back of the mounting plate onto each bolt. Leave enough space for toggle wings to go through the wall and to open.



4. Place the mounting plate against the wall and push the bolts through the drywall.
5. Finger tighten the bolts to make sure toggle wings have opened against drywall.



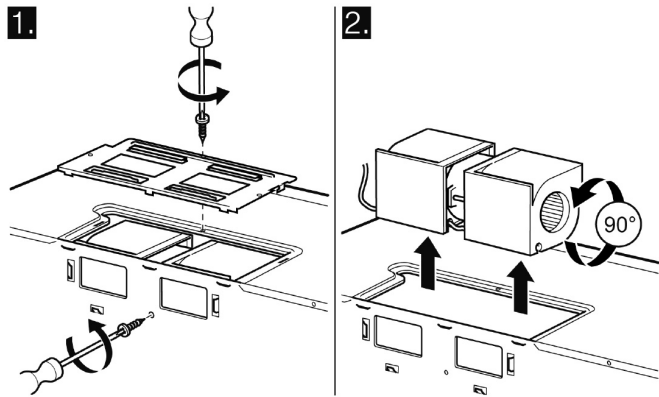
6. Verify that the plate is properly centered and level.
7. Securely tighten all screws, including the wood screw.

Adapting microwave blower

This microwave is shipped assembled for Room Venting Installation. The blower unit is already in place and must not be adapted.

Adapting microwave blower for roof venting

1. Remove and save the screws holding the blower motor and the blower plate. Lift up the blower plate and put it aside.
2. Carefully pull out the blower unit and rotate 90° so that fan blade openings are facing out the top of the microwave.

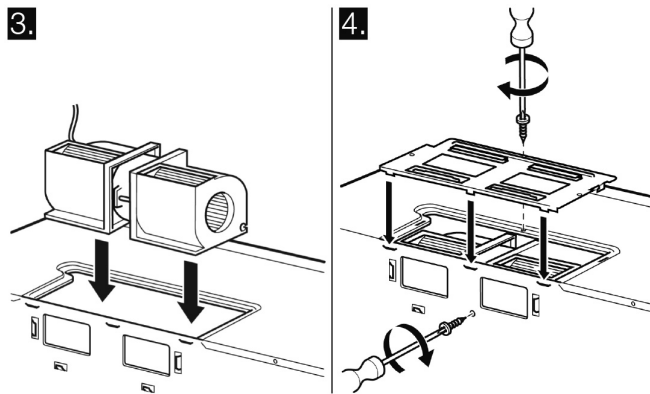


3. Place the blower unit back into the opening.

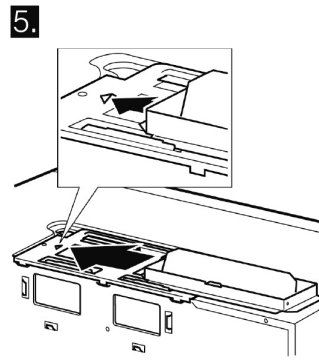
⚠ CAUTION

Do not pull or stretch the blower unit wiring. Make sure the wires are not pinched, and that they are properly secured.

4. Replace the blower plate and secure with the screws removed in step 1.

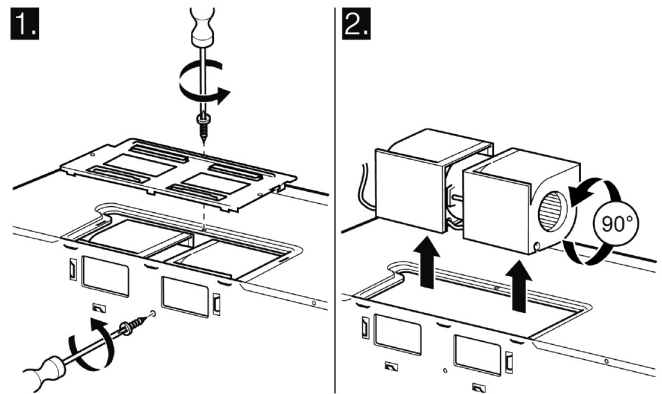


5. Attach the exhaust adapter to the top of the blower plate by sliding it into the guides. Push in securely until it is in the locking tabs. Make sure the damper hinge swings freely.

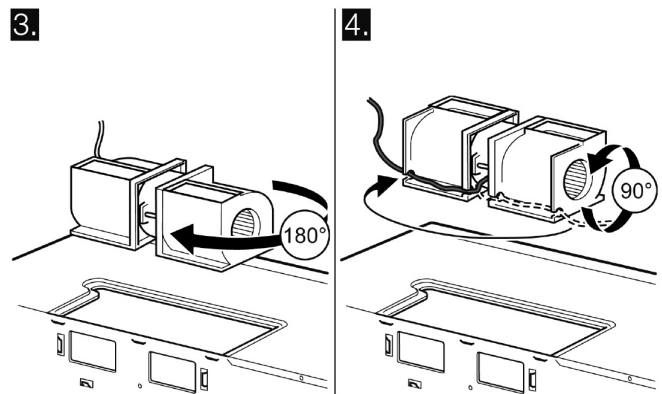


Adapting microwave blower for wall venting

1. Remove and save the screws holding the blower motor and the blower plate. Lift up the blower plate and put it aside.
2. Carefully pull out the blower unit and rotate 90° so that fan blade openings are facing out the top of the microwave.



3. Rotate the blower unit counterclockwise 180°.
4. Gently remove the wires from the grooves. Reroute the wires through the grooves on other side of the blower unit. Rotate blower unit 90° so that fan blade openings are facing out the back of the microwave.

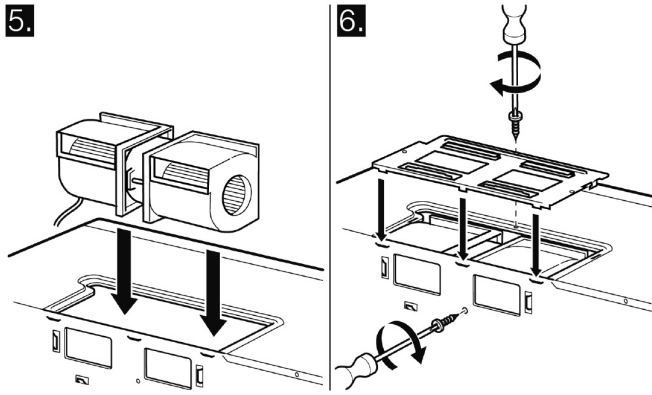


⚠ CAUTION

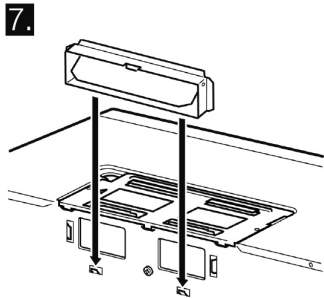
Do not pull or stretch the blower unit wiring. Make sure the wires are not pinched, and that they are properly secured.

5. Place the blower unit back into the opening.

6. Replace the blower plate and secure with the screws removed in Step 1.



7. Attach the exhaust adapter to the rear of the oven by sliding it into the guides. Push in securely until it is in the lower locking tabs. Make sure the damper hinge swings freely.



Preparing cabinet

1. Remove power to outlet.
2. Remove all contents from upper cabinet.
3. Tape the TOP CABINET TEMPLATE onto the bottom surface. Make sure the template centerline aligns with the vertical line on the wall. Rear wall arrows must be against rear wall.

Note: For recessed cabinet bottom, trim the template edges so that it fits inside the recessed area. The template has trim lines to use as guides.

4. Drill 3/8" (10 mm) holes at "A", "B" and "C".

Note: Wear safety goggles when drilling holes in the cabinet bottom.

5. Cut out the 2" (51 mm) hole at "D". This hole is for the power supply cord.

Note: If the cabinet is metal, use the nylon grommet around the opening to protect the cord.

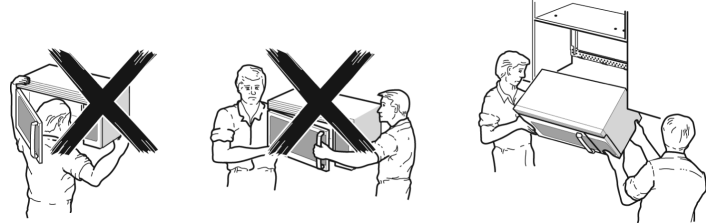
6. **Roof venting installation only:** Cut out the shaded area "E" on the TOP CABINET TEMPLATE using a saber or keyhole saw.

7. Remove templates from back wall and cabinet.

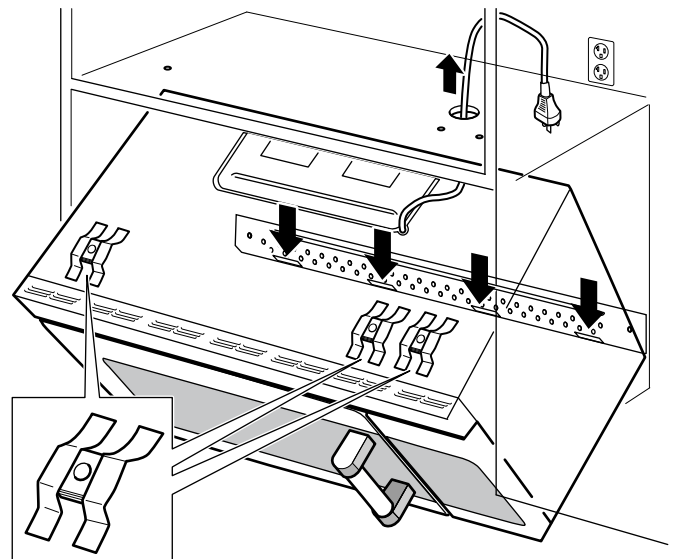
Mounting the microwave oven

Notes

- If the bottom of the upper cabinet is recessed or has front overhang, you will need to prepare 2" x 2" (51 mm x 51 mm - depth equivalent to cabinet recess or overhang) filler blocks to provide additional support for the bolts:
 - mark the center of each filler block and drill a 3/8" (10 mm) diameter hole
 - align filler blocks over the three openings on top of the microwave oven and attach with masking tape
- Use at least two people to install the microwave oven. Do not grip or use handle during the installation.

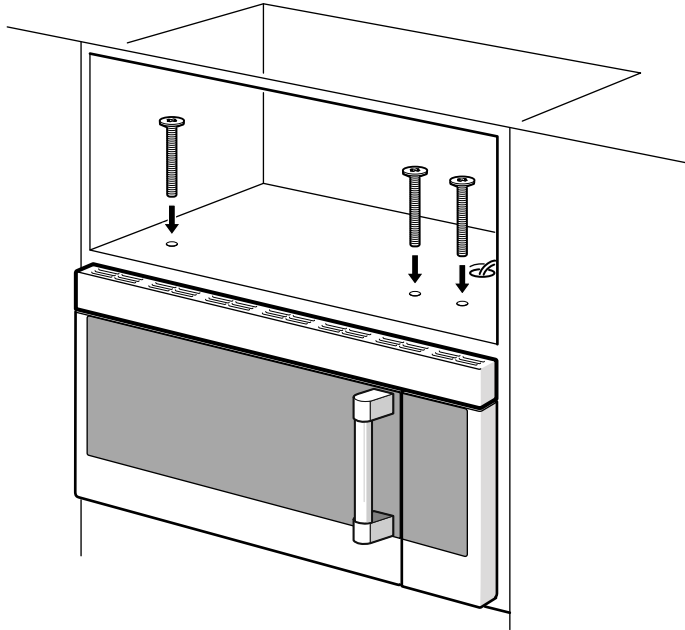


- When mounting the microwave oven, thread power cord through hole in bottom of top cabinet. Keep the cord tight and do not pinch it, especially when mounting flush to bottom of cabinet. Do not pull the cord to lift the oven.
1. Lift the microwave, tilt it forward, and hook slots at back bottom edge onto four lower tabs of the mounting plate.
 2. Rotate the front of the oven up against cabinet bottom.



3. Insert a self-aligning screw (item A) through top center cabinet hole. Temporarily secure the oven by turning the screw at least two full turns after the threads have engaged.

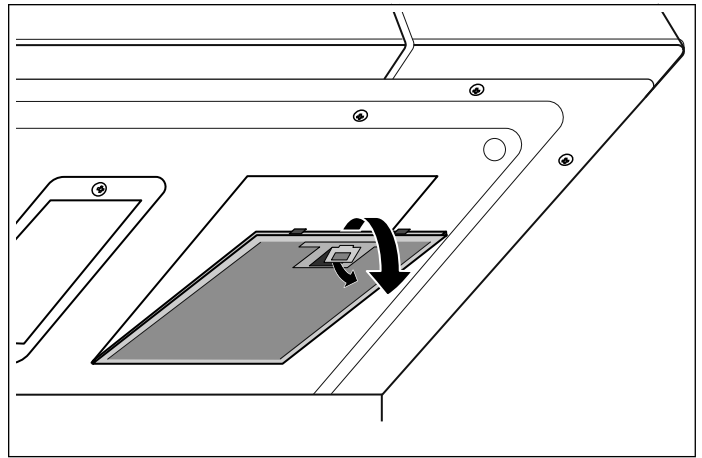
4. Insert the two remaining self-aligning screws through outer top cabinet holes. Turn two full turns on each screw.



5. Tighten center screw completely.
6. Tighten the outer two screws completely to the top of the microwave oven.

Note: While tightening screws, hold the microwave oven in place against the wall and the top cabinet.

7. Install grease filters by sliding the two pins at the rear side of the filter into the slots at the rear of the filter opening, then push up filter at the front until the catch locks in place with a click (image shows bottom view of appliance).



Hood exhaust


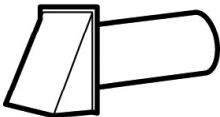
When venting exhaust to the outside, hood exhaust ducts will be required. Read the following carefully.


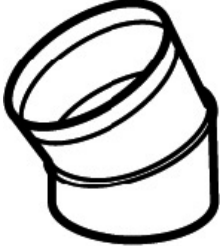
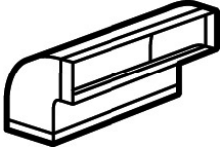
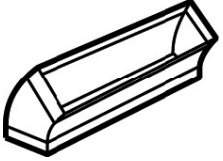
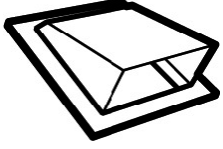
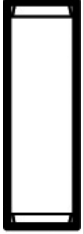
Note: It is important that venting be installed using the most direct route and with as few elbows as possible. This ensures clear venting of exhaust and helps prevent blockages. Also, make sure dampers swing freely and nothing is blocking the ducts.

The hood exhaust has been designed to mate with a standard 3¼" x 10" (82 x 254 mm) rectangular duct. If a round duct is required, a rectangular-to-round transition adaptor must be used. Do not use less than a 6" (152 mm) diameter duct.

For satisfactory air movement, the total duct length of 3¼" x 10" (82 x 254 mm) rectangular or 6" (152 mm) diameter round should not exceed 120 equivalent feet (36.5 m).

Elbows, transitions, wall and roof caps etc. cause additional resistance to airflow and are equivalent to a section of straight duct which is longer than their actual physical size. When calculating the total duct length, add the equivalent lengths of all transitions and adaptors plus the length of all straight duct sections. The chart below shows you how to calculate total equivalent ductwork length using the approximate feet of equivalent length of some typical ducts:

Duct Pieces	x	Number used	=	Equivalent Length
 Rectangular-to-Round Transition Adaptor*	5 ft (1.5 m)	x	=	
 Wall Cap	40 ft (12.2 m)	x	=	
Total Ductwork				=

Duct Pieces			x	Number used	=	Equivalent Length
	90° Elbow	10 ft (3 m)	x		=	
	45° Elbow	5 ft (1.5 m)	x		=	
	90° Elbow	25 ft (7.6 m)	x		=	
	45° Elbow	5 ft (1.5 m)	x		=	
	Roof Cap	24 ft (7.3 m)	x		=	
	Straight Duct 6" (152 mm Round or 3 1/4" x 10" (82 x 254 mm) Rectangular	1 ft (0.3 m)	x		=	
Total Ductwork					=	

* If a rectangular-to-round transition adapter is used, first make sure the damper hinge of the microwave swings freely. If necessary, cut the damper to fit, using the tin snips, in order to allow free movement.

Equivalent lengths of duct pieces are based on actual tests and reflect requirements for good venting performance with any vent hood.

Testing Operation

1. Turn on power at the breaker.
2. Test the oven mode:
Test the CONVECTION oven mode (if available). See the Use and Care Manual for detailed operation instructions.
3. Verify that the oven light comes on and the oven begins to preheat.
4. Test the microwave:
Place a cup of water into the oven cavity. Follow the instructions in the Use and Care Manual on how to heat a beverage.
5. Verify that the oven light comes on and the water is heated.
6. If any of the tests do not result as explained above, contact Service for assistance. Otherwise, the installation is complete at this time.

THERMADOR® Support

Before Calling Service

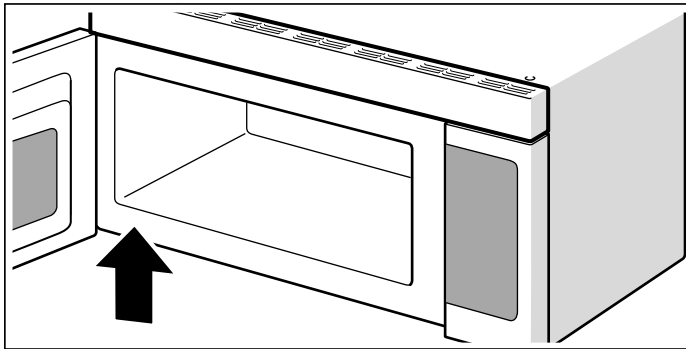
See the Use and Care Manual for troubleshooting information. Refer to the “Statement of Limited Product Warranty” in the Use and Care Manual.

To reach a service representative, see the contact information at the front of the manual or in the following section. Please be prepared with the information printed on your product data plate prior to calling.

Data Plate

The data plate shows the model and serial number. Refer to the data plate on the appliance when requesting service.

The data plate can be found on the inside of the appliance.



To avoid having to search for each piece of information when calling, you can enter the four items needed in the spaces provided below.

Model No.
FD-No.
Date of Purchase
Customer Service ☎

Keep your invoice or escrow papers for warranty validation if service is needed.

Service

We realize that you have made a considerable investment in your kitchen. We are dedicated to supporting you and your appliance so that you have many years of creative cooking.

Please do not hesitate to contact our STAR® Customer Support Department if you have any questions or in the unlikely event that your THERMADOR® appliance needs service. Our service team is ready to assist you.

USA

800-735-4328

www.thermador.com/support

Canada

800-735-4328

www.thermador.ca

Parts and Accessories

Parts, filters, descalers, stainless steel cleaners and more can be purchased in the THERMADOR® eShop or by phone.

USA

<http://store.thermador.com/us>

Canada

- If you live in any of the Atlantic provinces, Ontario, or Québec contact:

Marcone

1.800.287.1627

- If you live in any of the Territories, Manitoba, Saskatchewan, Alberta, or British Columbia contact:

Reliable Parts

1.800.663.6060

Table des matières

Définitions de sécurité	17
IMPORTANTES CONSIGNES DE SÉCURITÉ	18
Sécurité de manutention des appareils	18
Codes et normes de sécurité	18
Sécurité électrique	18
Sécurité des micro-ondes	18
Équipement de sécurité	19
Avertissement issue de la proposition 65 de l'État de la Californie	19
Liste de contrôle pour l'installation	20
Avant de commencer	20
Pour enlever l'emballage	20
Outils et pièces nécessaires	21
Pièces comprises	21
Exigences concernant l'emplacement.....	21
Exigences électriques	22
Installation électrique	22
Installation de l'appareil	23
Retrait de la plaque de montage	23
Localisation des poteaux de mur	23
Configuration possible des poteaux de mur	23
Fixation de la plaque de montage au mur	24
Adaptation du ventilateur du micro-ondes	25
Préparation du caisson	26
Montage du four à micro-ondes	26
Hotte de ventilation	28
Opération d'essai	29
Soutien THERMADOR®	30
Avant d'appeler le service de dépannage	30
Plaque signalétique	30
Dépannage	30
Pièces et accessoires	30

*Cet appareil électroménager
de THERMADOR*
est fait par BSH Home Appliances Ltd.
6696 Financial Drive, Unit 3
Mississauga, ON L5N 7J6

Question ?

1-800-735-4328

www.thermador.ca

Nous attendons de vos nouvelles.

Définitions de sécurité

▲ AVERTISSEMENT

Ceci indique que le non-respect de cet avertissement peut entraîner des blessures graves, voire la mort.

▲ ATTENTION

Ceci indique que le non-respect de cet avertissement peut entraîner des blessures légères ou de gravité moyenne.

AVIS : Ceci indique que la non-conformité à cet avis de sécurité peut entraîner des dégâts matériels ou endommager l'appareil.

Remarque : Ceci vous signale des informations et/ou indications importantes.

IMPORTANTES CONSIGNES DE SÉCURITÉ

LIRE ET CONSERVER CES INSTRUCTIONS

INSTALLATEUR : LAISSEZ CES INSTRUCTIONS AVEC L'APPAREIL APRÈS UNE FOIS L'INSTALLATION TERMINÉE.

IMPORTANT : CONSERVER CES INSTRUCTIONS POUR L'USAGE DE L'INSPECTEUR ÉLECTRIQUE LOCAL.

AVERTISSEMENT

Si l'information de ce guide n'est pas suivie exactement, il peut en résulter un incendie ou un choc électrique causant des dommages à la propriété, des blessures ou la mort.

AVERTISSEMENT

Ne réparez, remplacez, ni ne retirez aucune partie de l'appareil, excepté si les manuels recommandent de le faire. Une installation, un entretien ou une inspection incorrects peuvent occasionner des blessures ou des dommages matériels. Reportez-vous au présent manuel pour obtenir des indications. Toute autre intervention doit être effectuée par un technicien agréé.

Sécurité de manutention des appareils

Cet appareil est lourd et il faut au moins deux personnes ou l'équipement approprié pour le déplacer.

Ne pas soulever l'appareil par la poignée de la porte.

Certaines surfaces peuvent avoir des bords tranchants. Faire attention en étendant le bras derrière l'appareil ou en dessous.

Codes et normes de sécurité

Cet appareil est conforme aux plus récentes versions de l'une ou plus des normes suivantes :

- CAN/CSA C22.2 No. 61 - Cuisinières pour usage ménager (Household Cooking Ranges)
- UL 858 - Cuisinières électriques domestiques (Household Electric Ranges)
- CAN/CSA C22.2 No. 150 - Fours à micro-ondes (Microwave Ovens)
- UL 923 - Appareils de cuisson à micro-ondes (Microwave Cooking Appliances)
- UL 507 - Ventilateurs électrique (Electric Fans)
- CAN/CSA C22.2 No. 113 - Ventilateurs et soufflantes (Fans and Ventilators)
- CSA C22.2 No. 64 - Appareils de cuisson domestique et de chauffage des liquides (Household Cooking and Liquid-Heating Appliances)
- UL 1026 - Appareils électriques domestiques pour la cuisson et la préparation des aliments (Electric Household Cooking and Food Serving Appliances)

Il incombe au propriétaire et à l'installateur de déterminer si des exigences et/ou normes additionnelles s'appliquent pour des installations spécifiques.

Sécurité électrique

AVERTISSEMENT

Avant tout raccordement de cordon électrique ou toute mise sous tension, assurez-vous que toutes les commandes sont en position OFF (d'arrêt).

Pour les appareils dotés d'un cordon et d'une fiche, ne pas couper ou enlever la broche de mise à la terre. Le cordon doit être branché dans une prise de courant adaptée de type mise à la terre pour éviter tout risque d'électrocution. S'il y a un doute en ce qui concerne la mise à la terre de la prise murale, le client devra s'adresser à un électricien qualifié.

S'il y a lieu, conformément au Code national de l'électricité (ou au Code canadien de l'électricité), cet appareil doit être installé sur un circuit de dérivation séparé.

Installateur – Indiquer au propriétaire l'emplacement du disjoncteur ou du fusible. Identifier sa position pour pouvoir le retrouver facilement.

Avant l'installation, mettre l'appareil hors service au panneau de service. Verrouiller le panneau d'entrée d'électricité pour éviter que le courant ne soit accidentellement rétabli.

S'assurer que l'appareil est installé et mis à la terre par un technicien qualifié. L'installation, les connexions électriques et la mise à la terre doivent être conformes à tous les codes applicables.

Sécurité des micro-ondes

PRÉCAUTIONS À SUIVRE AVANT ET PENDANT L'ENTRETIEN POUR ÉVITER TOUT RISQUE D'EXPOSITION AUX MICRO-ONDES

- Ne pas utiliser ou ne pas permettre l'utilisation du four avec la porte ouverte.
 - Effectuer les vérifications de sécurité suivantes sur tous les fours faisant l'objet d'un entretien avant d'activer la magnétron ou autre source micro-ondes, et effectuer les réparations selon le besoin :
1. Fonctionnement de l'interverrouillage
 2. Fermeture appropriée des portes
 3. Joint d'étanchéité et surfaces étanches (production d'arcs électriques, usure et autres dommages)
 4. Dommages aux charnières et loquet ou leur desserrement
 5. Signe de chute ou d'abus
- Avant de mettre sous tension le micro-ondes pour tout test de service ou inspection dans les compartiments générateurs de micro-ondes, vérifier le magnétron, le guide d'onde ou la ligne de transmission, et la cavité pour l'alignement, intégrité, raccordement approprié.
 - Tout composant endommagé ou mal réglé dans l'interverrouillage, moniteur, joint d'étanchéité de porte et système de génération et de transmission de micro-

IMPORTANTES CONSIGNES DE SÉCURITÉ

LIRE ET CONSERVER CES INSTRUCTIONS

ondes doit être réparé, remplacé ou réglé selon les procédures décrites dans ce manuel avant que le four ne puisse être remis à son propriétaire.

- Une vérification de fuite de micro-ondes pour vérifier la conformité avec les normes de rendement fédérales doit être effectuée sur chaque four avant sa remise au propriétaire.

INSTRUCTIONS DE MISE À LA TERRE

Cet appareil doit être mis à la terre. En cas de court-circuit électrique, la mise à la terre réduira le risque de choc électrique en offrant au courant électrique un fil d'évacuation.

Cet appareil est muni d'un cordon électrique comportant un conducteur de terre et une prise de mise à la terre. La fiche doit être branchée dans une prise qui a été installée et mise à la terre de façon appropriée.

AVERTISSEMENT

Une mise à la terre inadéquate peut entraîner un risque d'électrocution. Consultez un électricien qualifié si vous ne comprenez pas parfaitement les instructions de mise à la terre ou si vous avez des doutes quant à la qualité de mise à la terre. N'utilisez pas de rallonge. Si le cordon d'alimentation est trop court, demandez à un électricien ou un technicien qualifié d'installer une prise à proximité de l'appareil.

Équipement de sécurité

Enlever le ruban adhésif et l'emballage avant d'utiliser l'appareil. Détruire l'emballage après avoir déballé l'appareil. Ne jamais laisser les enfants jouer avec les matériaux de conditionnement.

Ne jamais modifier ni altérer la configuration de l'appareil. Par exemple, ne pas retirer les pieds de nivellement, les panneaux, les couvercles de câblage ou les fixations/vis antibasculement.

AVERTISSEMENT

Pour réduire les risques de feu, utiliser uniquement des gaines en métal.

ATTENTION

Appareil conçu exclusivement pour la ventilation générale. Ne pas utiliser pour évacuer des matières et vapeurs dangereuses ou explosives.

AVERTISSEMENT

Ne pas utiliser les brûleurs de la table de cuisson au gaz sans chaudron en place. La flamme nue pourrait surchauffer le four à micro-ondes situé au-dessus.

Avertissement issue de la proposition 65 de l'État de la Californie :

AVERTISSEMENT

Ce produit peut vous exposer à des produits chimiques, comme du chlorure de vinyle, reconnus par l'État de la Californie comme causant le cancer, des malformations congénitales ou d'autres effets nocifs sur la reproduction. Pour de plus amples renseignements, consultez www.P65Warnings.ca.gov.

Liste de contrôle pour l'installation

⚠ IMPORTANT :

Le four à micro-ondes Thermador de modèle MU30RSC est approuvé pour une installation au-dessus d'un four Pro Harmony® à 5 brûleur de modèle PRD305PH / PRG305PH / PRL305PH seulement.

Utilisez cette liste de contrôle pour vérifier que vous avez terminé chaque étape du processus d'installation. Cela peut vous aider à éviter des erreurs communes.

Consultez les instructions détaillées pour chaque étape dans les sections qui suivent cette liste de contrôle.

1. Avant d'installer l'appareil, assurez-vous de vérifier que les dimensions du caisson sont correctes pour votre appareil et que les raccordements électriques requis sont présents. Assurez-vous que le cordon électrique fourni sur l'appareil est en mesure d'atteindre le point de raccordement.
Sections : Exigences d'emplacement, Installation électrique
2. Déplacez l'appareil devant l'avant de l'ouverture du caisson.
Section : Retrait de l'emballage
3. Retirez les matériaux d'emballage, en laissant l'emballage du fond de l'appareil pour éviter d'endommager le plancher.
Section : Retrait de l'emballage
4. Retirez la plaque de fixation à l'arrière de l'appareil.
Section : Installation de l'appareil - Retrait de la plaque de fixation

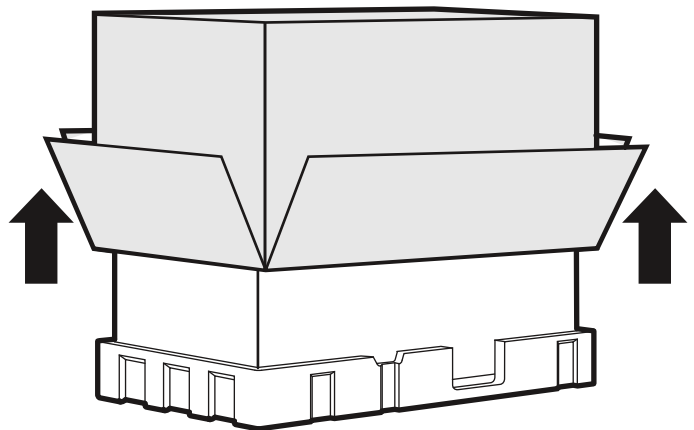
5. Trouvez les montants du mur.
Section : Installation de l'appareil - Trouver les montants du mur
6. Fixez la plaque de fixation au mur.
Section : Installation de l'appareil - Fixation de la plaque de fixation au mur
7. Ajustez le ventilateur du micro-ondes.
Section : Installation de l'appareil - Ajustement du ventilateur du micro-ondes
8. Préparez le caisson pour la fixation.
Section : Installation de l'appareil - Préparation du caisson
9. Soulevez l'appareil en équipe; penchez-le et accrochez-le à la plaque de retenue.
Section : Installation de l'appareil - Fixation du four à micro-ondes
10. Poussez l'appareil pour qu'il soit bien en place et serrez les vis de fixation dans les trous sur le dessus du caisson.
Section : Installation de l'appareil - Fixation du four à micro-ondes
11. Utilisez la bonne conduite de hotte.
Section : Installation de l'appareil - Conduite de hotte
12. Testez le fonctionnement adéquat du four à micro-ondes.
Section : Opération d'essai

Lisez et suivez toujours les instructions d'installation complètes contenues dans ce manuel.

Avant de commencer

Pour enlever l'emballage

1. Retirer le filtre, les accessoires et le matériel. Ne pas retirer le styrofoam protégeant l'avant du four.
2. Replier les quatre volets cartonnés complètement contre les côtés du carton. Puis, rouler soigneusement le four et le carton sur le côté supérieur. Le four doit reposer sur le styrofoam.
3. Tirer le carton vers le haut et l'ôter du four.



4. Couper le centre du sac de plastique protecteur extérieur pour retirer la plaque de montage.

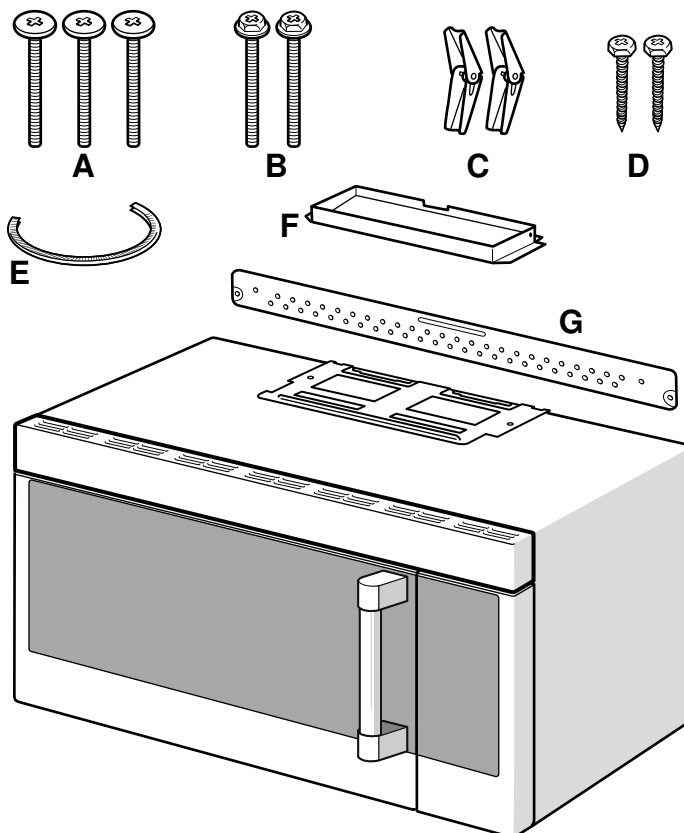
Outils et pièces nécessaires

- Tournevis cruciforme
- Crayon
- Règle ou galon à mesurer et règle rectifiée
- Perceuse
- Forets : 3/16 po, 1/2 po, 5/8 po
- Gants
- Scie (scie sauteuse, scie rotative ou passe-partout)
- Localisateur de poteau ou marteau
- Lunettes de sécurité
- Niveau
- Ruban adhésif et ruban masquant

Outils optionnels

- Équerre
- Cisailles (pour couper le registre)
- Ciseaux (pour couper le gabarit de caisson)
- Blocs de remplissage ou morceaux de copeaux de bois (pour l'installation du caisson inférieur en retrait)

Pièces comprises



Vous trouverez le nécessaire d'installation contenu dans le paquet avec l'unité. S'assurer que vous avez toutes ces pièces :

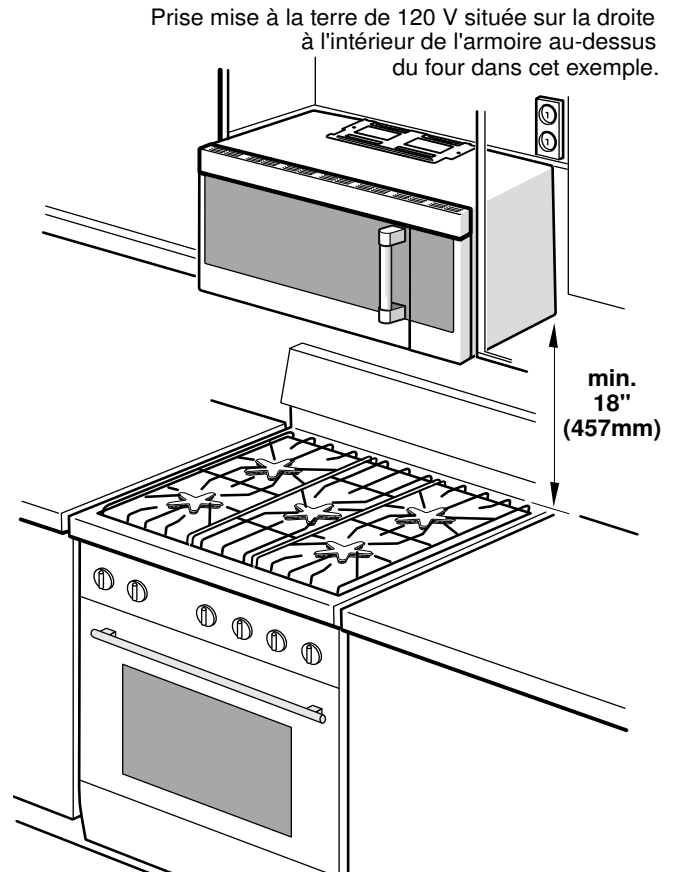
- A Boulons supérieurs de montage :
Vis mécaniques à autocentrage
1/4 po - 28 x 3 1/4 po
- B Boulons à ailettes - 3/16 po x 3 po
- C Accessoire pour le montage mural :
Ailettes
- D Vis à bois 1/4 po x 2 po
- E Passe-fil en nylon (pour caisson métallique)
- F Adaptateur d'échappement
- G Plaque de montage (fixée au dos du four à micro-ondes)

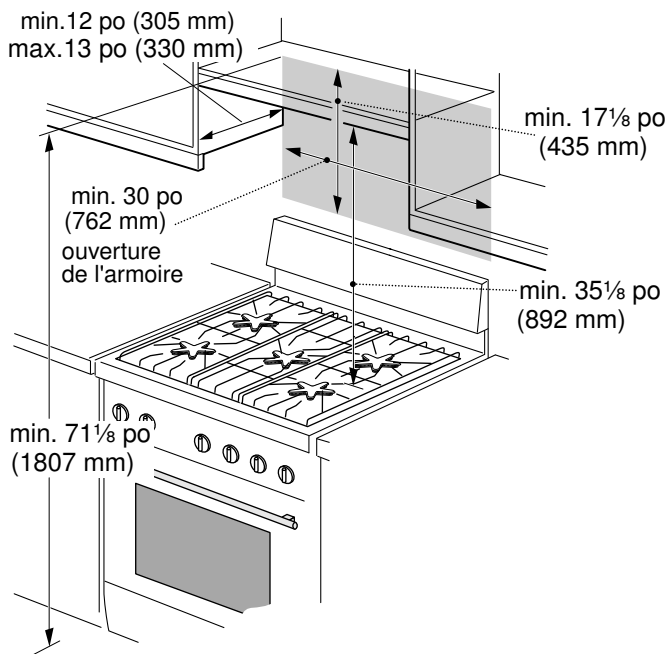
Non montré :

- Gabarit de caisson supérieur
- Gabarit de mur arrière
- Filtres à graisse en aluminium
- Filtre à charbon actif (installé à l'usine dans le micro-ondes)

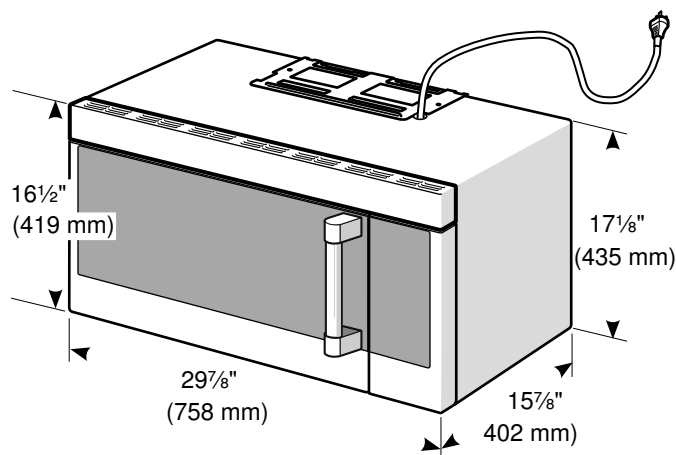
Exigences concernant l'emplacement

Dimensions de l'installation





Dimensions de l'appareil



Remarque : Prenez en compte que les mesures avant et arrière de l'appareil ne sont pas identiques.

Exigences électriques

La prise doit être correctement reliée à la terre selon tous les codes applicables.

Il peut être installé n'importe où à l'intérieur de l'armoire au-dessus de l'appareil, en fonction de la portée du cordon d'alimentation (environ 24 po).

Installation électrique

Le modèle figurant sur la couverture avant est classé 120 V CA, 60 Hz et nécessite une fiche NEMA 5-15 pour se raccorder à un circuit pour micro-ondes de 120 V dédié.

Modèle	Connexion	Circuit Exigences
MU30RC	NEMA 5-15	120 V, 15 Amps 60 Hz

Exigences électriques :

- une prise mise à la terre à trois fiches
- 120 V, 60 Hz, CA seulement
- Source d'alimentation électrique de 15 ampères avec fusible ou disjoncteur

Ce produit doit être raccordé à un circuit d'alimentation de la tension et de la fréquence appropriées. La taille du fil doit être conforme aux exigences du Code national d'électricité ou du code local en vigueur pour cette capacité. Le cordon d'alimentation et la fiche doivent être jumelés à une prise de courant séparée mise à la terre d'un seul circuit de dérivation de 20 ampères. La boîte de sortie doit être aménagée dans la zone derrière l'appareil (voir la section *Dimensions du caisson*). La boîte de sortie et le circuit d'alimentation doivent être installés par un électricien qualifié et être conformes au Code national de l'électricité ou au code local en vigueur.

La tension utilisée doit être la même que celle spécifiée sur le four à micro-ondes. L'utilisation d'une tension supérieure est dangereuse et pourrait entraîner un

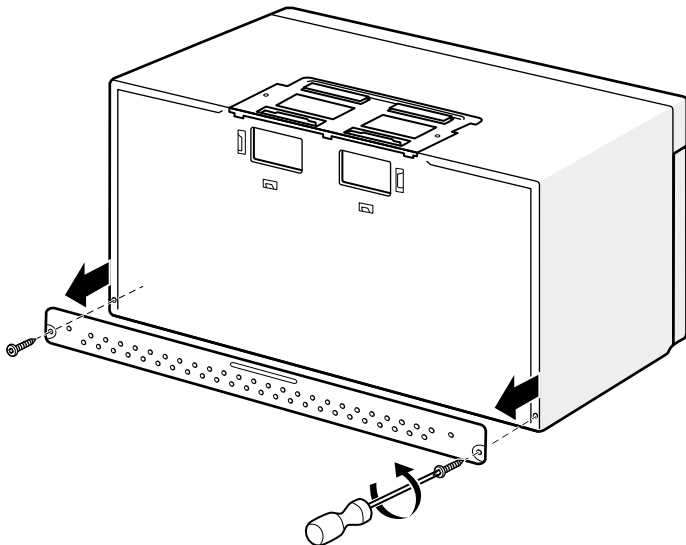
incendie ou des dommages au four. L'utilisation d'une tension plus basse ralentira la cuisson. Le fabricant n'est pas responsable de dommages résultant de l'utilisation du four sur une tension autre que celle spécifiée.

Installation de l'appareil

Retrait de la plaque de montage

Remarque : Pour éviter d'endommager la surface de travail ou le bas de l'appareil, recouvrez la surface de travail.

1. Retirez tout élément restant dans la cavité du four du micro-ondes.
2. Retirez les vis de la plaque de montage.



La plaque de montage sera utilisée comme modèle de mur arrière et pour le montage.

3. Réinstallez les vis dans les trous desquels elles ont été retirées.

Remarque : Pour éviter d'endommager le four à micro-ondes, ne saisissez pas ou n'utilisez pas la porte ou la poignée de porte pendant que le four du micro-ondes est manipulé.

Localisation des poteaux de mur

Remarque : Le micro-ondes doit être connecté à au moins un poteau de tour. Si aucun poteau de mur n'existe au sein de l'ouverture du caisson, ne pas installer le four à micro-ondes.

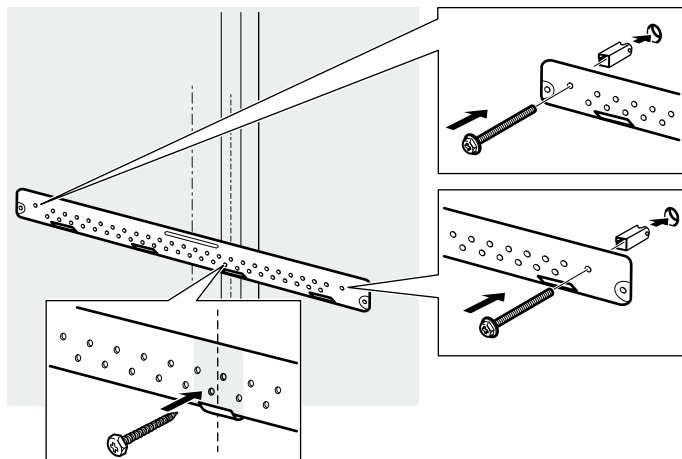
1. Localiser les bords des poteaux de mur au sein de l'ouverture du caisson en utilisant ce qui suit :
 - un localiseur de poteau ou
 - un marteau (en tapant légèrement sur la surface de montage pour trouver un bruit solide).
2. Placer une marque à mi-chemin entre les bords et tracer une ligne vers le bas du centre des poteaux (voir configuration possible des poteaux de mur).

Configuration possible des poteaux de mur

Ces illustrations montrent des exemples des configurations d'installation à privilégier avec la plaque de montage.

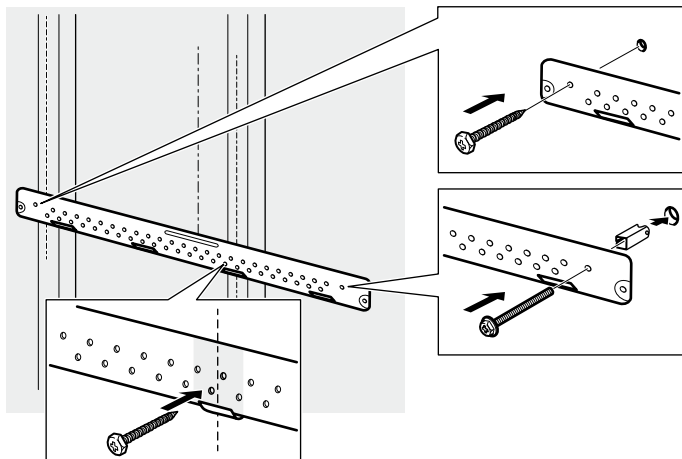
Remarque : Il faut redoubler de vigilance lors du perçage de trous. Des fils électriques pourraient courir derrière le mur et tout contact avec eux pourrait entraîner un choc électrique.

Absence de poteau de mur dans les trous

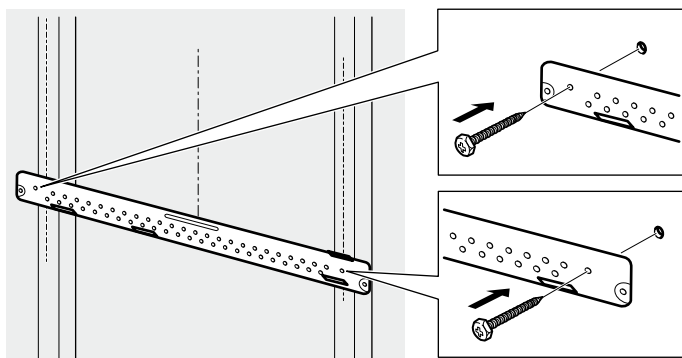


Si un poteau de mur est à 6 ¼ po (159 mm) de la ligne centrale verticale, seule une installation à aération de la pièce (recirculation ou ventilation de toit) peut être effectuée.

Poteaux de mur à un trou de coin



Poteaux de mur aux deux trous de coin



Fixation de la plaque de montage au mur

Préparation du mur arrière

⚠ ATTENTION

Porter des gants pour éviter de se couper les doigts sur des bords tranchants.

Remarque : S'assurer que le bas du caisson est de niveau.

1. Tracer une ligne verticale sur le mur au centre de l'espace du caisson.
2. Caisson avec un porte-à-faux avant : Tracer une ligne sur le mur arrière égale à la profondeur du porte-à-faux avant.
3. Coller le GABARIT DE MUR ARRIÈRE sur le mur en faisant correspondre la ligne centrale et en touchant le bas du caisson ou la ligne de niveau.
4. Tracer une ligne horizontale sur le mur au bas du gabarit de mur arrière.
5. Percer des trous aux emplacements A et B :
 - Trous de 3/16 po (5 mm) pour vis à bois (poteau)
 - Trous de 5/8 po (16 mm) pour les boulons à ailettes (sans poteau)

Remarque : Si ni A, B, C ou D se trouve dans un poteau, trouver un poteau ailleurs dans la zone de la plaque de montage et un trou de 3/16 po (5 mm). Il est important d'utiliser au moins une vis à bois montée fermement dans un poteau pour soutenir le poids du micro-ondes.

6. **Installation pour ventilation murale seulement :** Découper la zone ombrée "F" dans le GABARIT DE MUR ARRIÈRE à l'aide d'une scie sauteuse ou d'une scie rotative.

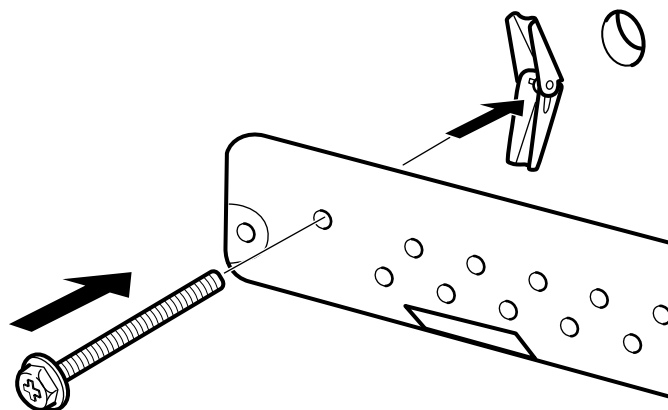
⚠ ATTENTION

Si un adaptateur d'échappement est positionné à l'extérieur, tenez compte des dimensions recommandées, sinon de l'air graisseux sera déchargé à l'intérieur de la structure de la maison.

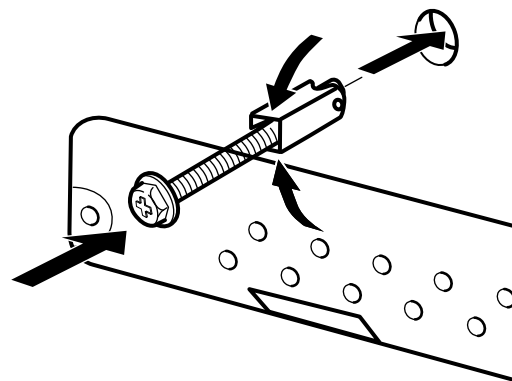
7. Retirer le GABARIT DE MUR ARRIÈRE.

Fixation de la plaque de montage

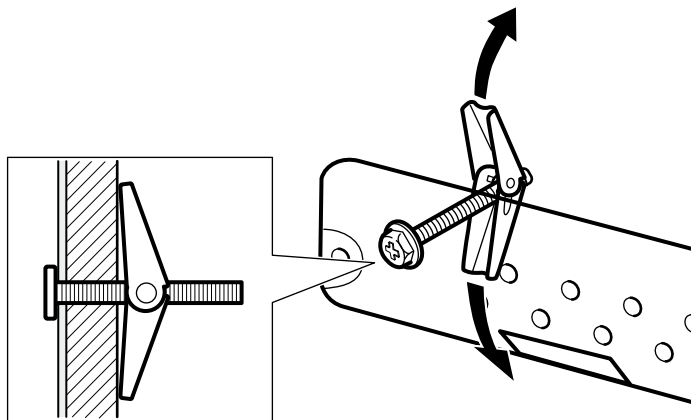
1. Retirez les ailettes des boulons.
2. Insérez les boulons dans la plaque de montage à travers les trous désignés pour aller dans le placoplâtre.



3. Fixez les ailettes de l'arrière de la plaque de montage sur chaque boulon. Laissez suffisamment d'espace pour permettre aux ailettes de traverser le mur et s'ouvrir.



4. Placez la plaque de montage contre le mur et poussez les boulons à travers le placoplâtre.
5. Serrez à la main les boulons pour s'assurer que les ailettes se sont ouvertes contre le placoplâtre.



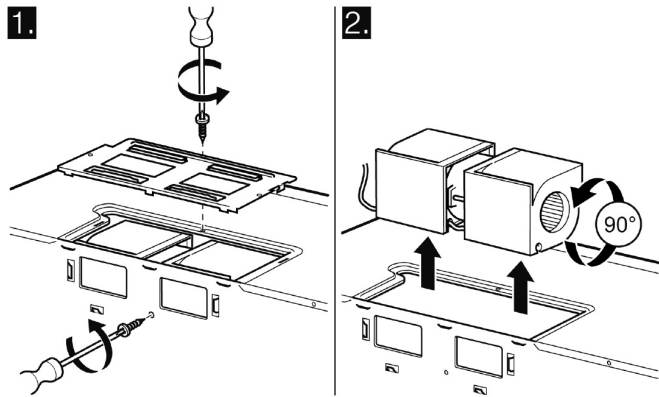
6. Vérifiez si la plaque est correctement centrée, assurez-vous qu'elle est de niveau.
7. Serrez fermement toutes les vis, y compris la vis à bois.

Adaptation du ventilateur du micro-ondes

Ce micro-ondes est expédié assemblé pour une installation de ventilation de pièce. L'unité de ventilateur est déjà en place et ne doit pas être adaptée.

Adaptation du ventilateur de micro-ondes pour ventilation de toit

1. Retirer et conserver les vis immobilisant le moteur de ventilateur et la plaque de ventilateur. Soulever la plaque de ventilateur et la mettre de côté.
2. Sortir soigneusement le ventilateur et le tourner de 90° de sorte que les ouvertures des pales de ventilateur soient orientées vers le haut du micro-ondes.

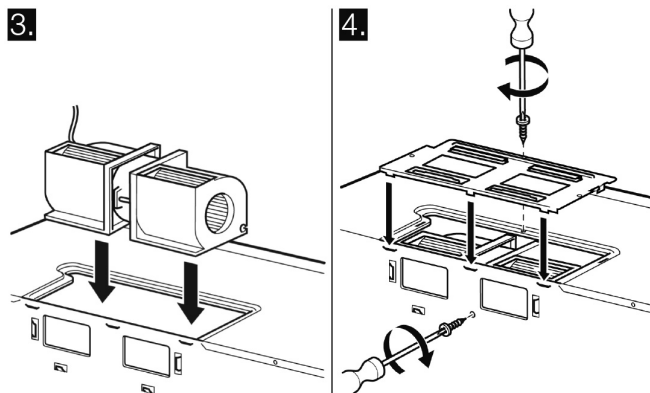


3. Remettre l'unité de ventilateur dans l'ouverture.

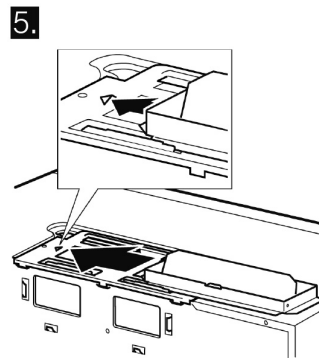
⚠ ATTENTION

Ne pas tirer ou allonger le fil du ventilateur. S'assurer que les fils ne sont pas pincés et qu'ils sont correctement fixés.

4. Remplacer la plaque de ventilateur et la fixer avec les vis retirées à l'étape 1.

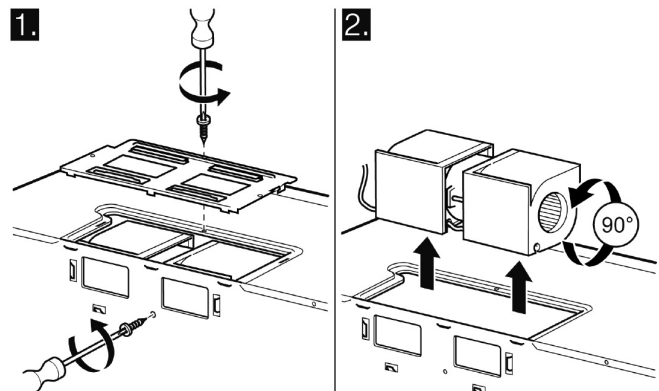


5. Fixer l'adaptateur d'échappement sur le haut de la plaque de ventilateur en le couissant sur les guides. Pousser jusqu'à enclencher dans les languettes de verrouillage. S'assurer que la charnière du registre bascule librement.



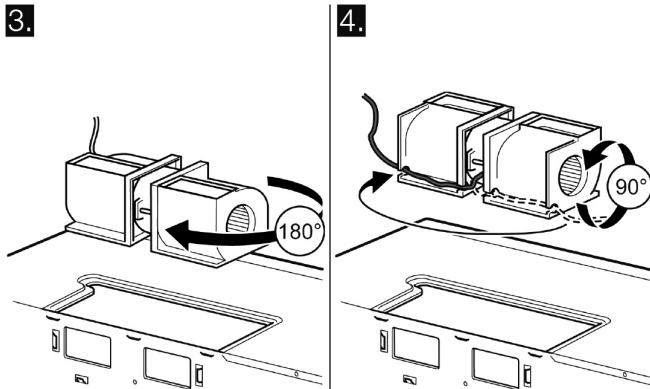
Adaptation du ventilateur de micro-ondes pour une ventilation murale

1. Retirer et conserver les vis immobilisant le moteur de ventilateur et la plaque de ventilateur. Soulever la plaque de ventilateur et la mettre de côté.
2. Sortir soigneusement le ventilateur et le tourner de 90° de sorte que les ouvertures des pales de ventilateur soient orientées vers le haut du micro-ondes.



3. Tourner l'unité de ventilateur de 180° dans le sens antihoraire.

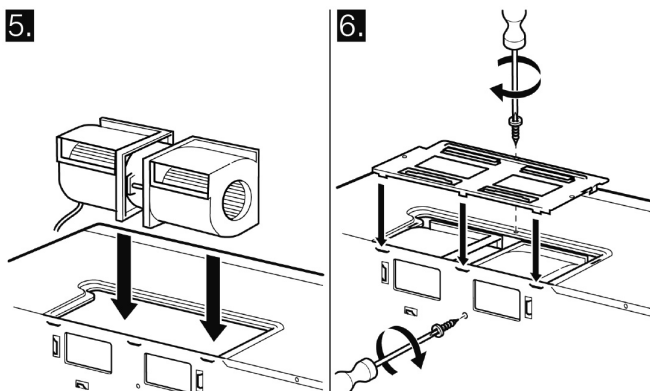
4. Retirer soigneusement les fils des rainures. Réacheminer les fils à travers les rainures sur l'autre côté de l'unité de ventilateur. Tourner l'unité de ventilateur de 90° de sorte que les ouvertures des lames de ventilateur sont orientées vers l'extérieur de l'arrière du micro-ondes.



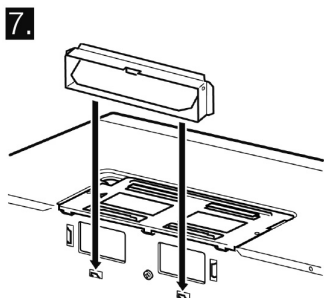
⚠ ATTENTION

Ne pas tirer ou allonger le fil du ventilateur. S'assurer que les fils ne sont pas pincés et qu'ils sont correctement fixés.

5. Remettre l'unité de ventilateur dans l'ouverture.
6. Remettre en place la plaque de ventilateur avec les vis retirées à l'étape 1.



7. Fixer l'adaptateur d'échappement sur le haut de la plaque de ventilateur en le couissant sur les guides. Pousser jusqu'à enclencher dans les languettes de verrouillage inférieures. S'assurer que la charnière du registre bascule librement.



Préparation du caisson

1. Couper l'alimentation à la prise.
2. Retirez tout le contenu du caisson supérieur.
3. Collez le GABARIT DE CAISSON SUPÉRIEUR sur la surface inférieure. Assurez-vous que la ligne centrale du gabarit s'aligne avec la ligne verticale du mur. Les flèches du mur arrière doivent être contre le mur arrière.

Remarque : Pour le bas du caisson en retrait, rognez les bords du gabarit de manière à ce qu'il s'adapte à l'intérieur de la zone en retrait. Le gabarit comporte des lignes de rognage à utiliser comme guides.

4. Percez des trous de 3/8 po (10 mm) à "A", "B" et "C".

Remarque : Portez des lunettes de sécurité lorsque vous percez des trous dans le bas du caisson.

5. Découpez le trou de 2 po (51 mm) à "D". Ce trou est réservé pour le cordon d'alimentation.

Remarque : Si le caisson est en métal, utilisez le passe-fil en nylon autour de l'ouverture pour protéger le cordon.

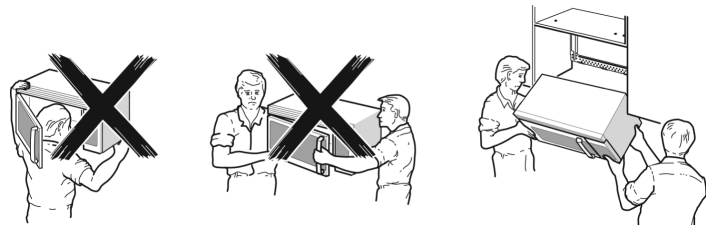
6. **Installation pour ventilation de toit seulement :** Découpez la zone ombrée "E" sur le GABARIT DE CAISSON SUPÉRIEUR avec une scie sauteuse ou une scie rotative.

7. Retirez le gabarit du mur arrière et du caisson.

Montage du four à micro-ondes

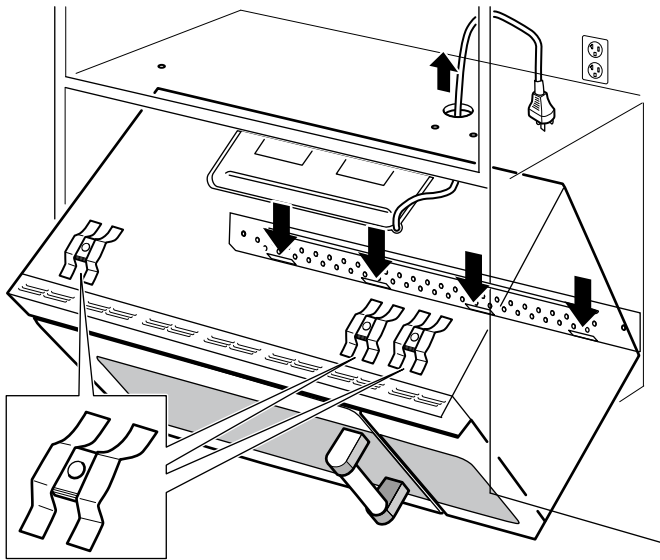
Remarques

- Si le bas du caisson supérieur est en retrait, ou présente un porte-à-faux avant, il vous faudra préparer des blocs de remplissage de 2 po X 2 po (51 mm X 51 mm – profondeur équivalente au retrait ou au porte-à-faux du caisson) pour fournir un support additionnel pour les boulons :
 - marquez le centre de chaque bloc de remplissage et percez un trou de 3/8 po (10 mm) de diamètre.
 - alignez les blocs de remplissage sur les 3 ouvertures sur le haut du four à micro-ondes et fixez avec du ruban masquant.
- L'installation du four à micro-ondes doit être effectuée par au moins deux personnes. Ne saisissez pas ou n'utilisez pas la poignée pendant l'installation.

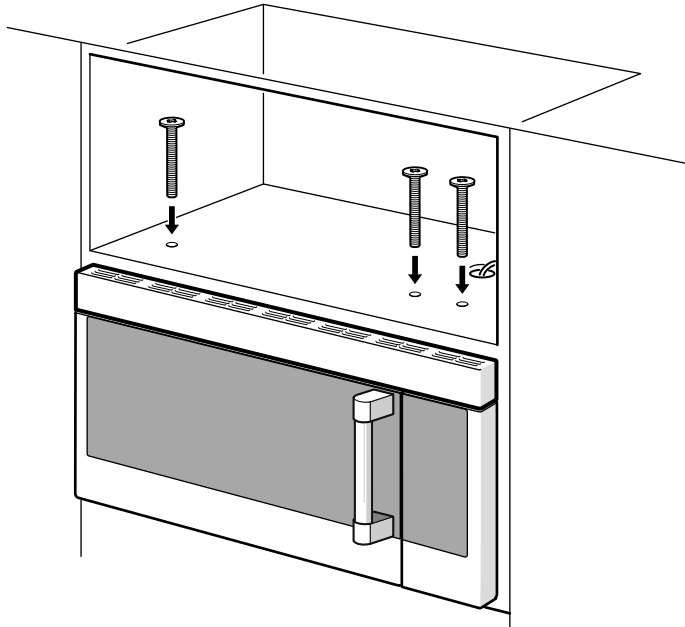


- Lorsque vous montez le four à micro-ondes, faites passer le cordon d'alimentation à travers le trou dans le bas du caisson supérieur. Maintenez le cordon serré et ne le pincez pas, surtout lorsque vous le montez en effleurement avec le bas du caisson. Ne tirez pas sur le cordon pour soulever le four.

1. Levez le micro-ondes, inclinez-le vers l'avant et accrochez les fentes du bord inférieur à l'arrière sur les 4 languettes inférieures de la plaque de montage.
2. Tournez l'avant du four contre le bas du caisson.



3. Insérez une vis à autocentrage (article A) à travers le trou central du caisson central. Fixez temporairement le four en tournant la vis d'au moins 2 tours complets après que les filets soient engagés.
4. Insérez les 2 vis à autocentrage restantes à travers les trous du caisson supérieur extérieur. Tournez chaque vis de 2 tours complets.

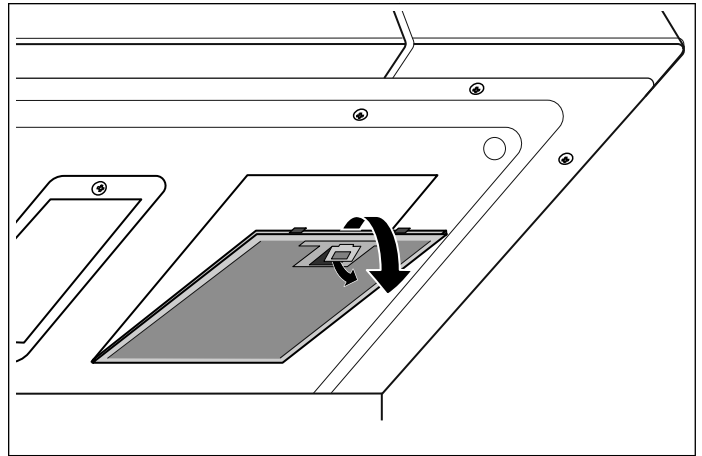


5. Serrez la vis centrale à fond.

6. Serrez les 2 vis extérieures complètement sur le haut du four à micro-ondes.

Remarque : Lors du serrage des vis, tenez le four à micro-ondes en place contre le mur et le caisson supérieur.

7. Pour installer les filtres à graisse, glissez les deux tiges du côté arrière du filtre dans les fentes situées à l'arrière de l'ouverture du filtre, puis poussez le devant du filtre vers le haut jusqu'à ce que le loquet se verrouille en place par un déclic (l'image montre le bas de l'appareil).






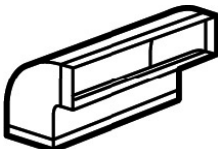
Hotte de ventilation

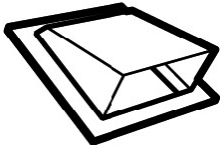

Lors de la ventilation vers l'extérieur, des conduits d'échappement de hotte seront requis. Lire attentivement ce qui suit.

Remarque : Il est important que la ventilation soit installée en utilisant le chemin le plus direct et avec aussi peu de coudes que possible. Cela assure une ventilation claire de l'échappement et aide à empêcher les obstructions. De plus, s'assurer que les registres pivotent librement et que rien ne bloque les conduits.

L'échappement de la hotte a été conçu pour concorder avec un conduit rectangulaire standard de 3 ¼ po X 10 po (82 X 254 mm). Si un conduit rond est requis, un adaptateur rectangulaire/rond doit être utilisé. Ne pas utiliser un conduit de diamètre inférieur à 6 po (152 mm).

Pour une circulation d'air appropriée, la longueur totale du conduit de 3 ¼ po X 10 po (82 X 254 mm) rectangulaire ou rond de diamètre de 6 po (152 mm) ne doit pas dépasser l'équivalent de 120 pieds (36,5 m). Les coudes, les transitions, les murs et les capuchons de toit, etc., causent une résistance additionnelle à la circulation d'air et équivalent à une section de conduit droit qui est plus longue que la taille physique actuelle. Lors du calcul de la longueur de conduit totale, ajouter les longueurs équivalentes de toutes les transitions et adaptateurs plus la longueur de toutes les sections de conduit droites. Le tableau ci-dessous montre comment calculer la longueur des conduits équivalente totale à l'aide d'une longueur équivalente approximative en pieds de certains conduits types :

Morceaux de conduit	x	Nombre utilisé	=	Longueur équivalente
 Adaptateur de transition rectangulaire/rond*	5 pi (1,5 m)	x	=	
 Capuchon de mur	40 pi (12,2 m)	x	=	
 Coude de 90°	10 pi (3 m)	x	=	
 Coude de 45°	5 pi (1,5 m)	x	=	
 Coude de 90°	25 pi (7,6 m)	x	=	
 Coude de 45°	5 pi (1,5 m)	x	=	
			Total conduits	=

Morceaux de conduit		x	Nombre utilisé	=	Longueur équivalente
	Capuchon de toit	24 pi (7,3 m)	x	=	
	Conduit droit 6 po (rond de 152 mm ou 3 1/4 po x 10 po (82 x 254 mm) Rectangulaire	1 pi (0,3 m)	x	=	
				Total conduits	=

* Si on utilise un adaptateur de transition rectangulaire/ rond, s'assurer d'abord que la charnière du registre du micro-ondes bascule librement. Au besoin, couper le registre pour qu'il s'adapte, à l'aide de cisailles, afin de permettre un mouvement libre.

Les longueurs équivalentes de morceaux de conduit sont basées sur des tests actuels et reflètent les exigences pour un bon rendement de ventilation avec toute hotte.

Opération d'essai

1. Mettez sous tension au disjoncteur.
2. Testez le mode de four :
Testez le mode de four CONVECTION (le cas échéant). Voyez et utilisez le manuel d'entretien pour les instructions de fonctionnement détaillées.
3. Vérifiez que l'éclairage du four s'allume et que le four se met à préchauffer.
4. Testez le micro-ondes :
Placez une tasse d'eau dans la cavité du four. Suivez les instructions dans le manuel d'utilisation et d'entretien pour savoir comment chauffer une boisson.
5. Vérifiez que l'éclairage du four s'allume et que l'eau est chauffée.
6. Si l'un des tests n'aboutit pas tel que prévu ci-dessus, contactez le Service pour obtenir de l'aide. Sinon, l'installation est terminée à ce moment-ci.

Soutien THERMADOR®

Avant d'appeler le service de dépannage

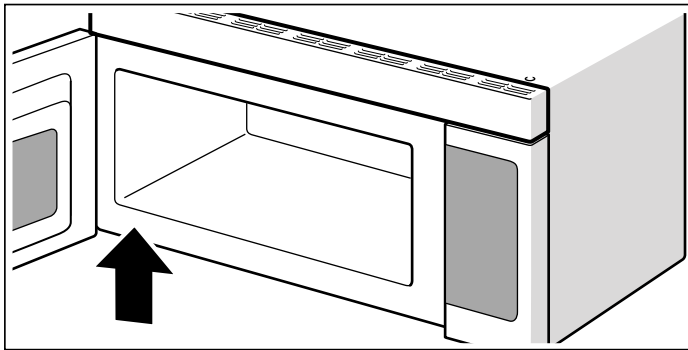
Pour des informations sur le dépannage, se reporter au Manuel d'utilisation et d'entretien. Consulter la "Énoncé de la Garantie Limitée" figurant dans le Manuel d'utilisation et d'entretien.

Pour contacter un technicien de dépannage, voir les coordonnées sur la couverture avant du manuel ou dans la section suivante. Lorsque vous téléphonez, soyez prêt à fournir les informations imprimées sur la plaque signalétique de votre produit.

Plaque signalétique

La plaque signalétique affiche le modèle et le numéro de série. Consultez la plaque signalétique de l'appareil lorsque vous sollicitez un service.

La plaque signalétique se trouve à l'intérieur de l'appareil.



Pour ne pas avoir à chercher longtemps en cas de besoin, vous pouvez inscrire ici les références de l'appareil et le numéro de téléphone du service après-vente

N° de modèle

N° FD

Date d'achat

Service après-vente ☎

Conservez votre facture ou votre contrat aux fins de validation de garantie si jamais vous avez besoin de service.

Dépannage

Nous sommes conscients que vous avez investi des sommes considérables dans votre cuisine. Nous nous engageons à vous offrir, ainsi qu'à votre appareil, un service de dépannage qui vous permettra de profiter de votre cuisine pendant de nombreuses années.

N'hésitez pas à communiquer avec notre service à la clientèle STAR® si vous avez des questions ou dans l'éventualité peu probable où votre appareil THERMADOR® nécessiterait de l'entretien. Notre équipe de dépannage se fera un plaisir de vous aider.

États-Unis

800-735-4328

www.thermador.com/support

Canada

800-735-4328

www.thermador.ca

Pièces et accessoires

Pour vous procurer des pièces, des filtres, du détartrant, des produits nettoyants pour l'acier inoxydable et autres, rendez-vous sur la boutique en ligne THERMADOR® ou communiquez avec nous par téléphone.

États-Unis

<http://store.thermador.com/us>

Canada

- Si vous résidez dans les provinces de l'Atlantique, en Ontario ou au Québec, communiquer avec :

Marcone

1.800-287-1627

- Si vous résidez dans un territoire, au Manitoba, en Saskatchewan, en Alberta ou en Colombie-Britannique, communiquer avec :

Reliable Parts

800-663-6060

THERMADOR® Support/Réparation/Servicio técnico

Service

We realize that you have made a considerable investment in your kitchen. We are dedicated to supporting you and your appliance so that you have many years of creative cooking.

Please don't hesitate to contact our STAR® Customer Support Department if you have any questions or in the unlikely event that your THERMADOR® appliance needs service. Our service team is ready to assist you.

Parts & Accessories

Parts, filters, descalers, stainless steel cleaners and more can be purchased in the THERMADOR® eShop or by phone.

USA

Service
800-735-4328
www.thermador.com/support

Parts & Accessories
www.thermador-eshop.com

Canada

Service
800-735-4328
www.thermador.ca

Parts & Accessories
Marcone - 800-287-1627
or
Reliable Parts - 800-663-6060

Réparation

Nous comprenons que vous avez fait un investissement important pour votre cuisine. C'est pourquoi nous nous engageons à offrir un service de qualité à vous comme à votre appareil afin de vous garantir des années de créativité dans votre cuisine.

N'hésitez pas à contacter notre département du service à la clientèle STAR^{MD} si vous avez des questions ou dans le cas peu probable que votre appareil THERMADOR^{MD} nécessite une réparation. Notre équipe de réparation est prête à vous aider.

Pièces et accessoires

Plusieurs pièces, filtres, détartrants et nettoyants pour l'acier inoxydable sont offerts dans la boutique électronique eShop de THERMADOR^{MD} ou par téléphone.

États-Uni

Réparation
800-735-4328
www.thermador.com/support

Pièces et accessoires
www.thermador-eshop.com

Canada

Réparation
800-735-4328
www.thermador.ca

Pièces et accessoires
Marcone - 800-287-1627
ou
Reliable Parts - 800-663-6060

Servicio técnico

Sabemos que usted ha realizado una inversión considerable en su cocina. Nos dedicamos a brindar asistencia técnica para usted y su electrodoméstico de manera que tenga muchos años de cocina creativa.

No dude en comunicarse con nuestro Departamento de Atención al Cliente de STAR® si tiene alguna pregunta o en el caso poco probable de que su electrodoméstico THERMADOR® necesite servicio técnico. Nuestro equipo de servicio técnico está listo para asistirlo.

Piezas y accesorios

Puede comprar piezas, filtros, productos para eliminar el sarro, limpiadores para acero inoxidable y más artículos en la tienda electrónica de THERMADOR® o por teléfono.

EE. UU.

Servicio técnico
800-735-4328
www.thermador.com/support

Piezas y accesorios
www.thermador-eshop.com

Canada

Servicio técnico
800-735-4328
www.thermador.ca

Piezas y accesorios
Marcone - 800-287-1627
o
Reliable Parts - 800-663-6060



9001382739

980314

Thermador 

1901 Main Street, Suite 600 • Irvine, CA 92614 • 1-800-735-4328
www.thermador.com • © 2018 BSH Home Appliances