

# JENNAIR® 30" (76.2 CM) AND 36" (91.4 CM) WALL-MOUNT CANOPY RANGE HOOD

HOTTE D'EXTRACTION À MONTAGE MURAL DE  
30 PO (76,2 CM) ET 36 PO (91,4 CM) JENNAIR®

---

## Installation Instructions and Use & Care Guide

For questions about features, operation/performance, parts, accessories, or service in the U.S.A., call:  
**1-800-JENNAIR (1-800-536-6247)** or visit our website at [www.jennair.com](http://www.jennair.com).

In Canada, call: **1-800-JENNAIR (1-800-536-6247)**, or visit our website at [www.jennair.ca](http://www.jennair.ca).

---

## Instructions d'installation et Guide d'utilisation et d'entretien

Pour des questions à propos des caractéristiques, du fonctionnement/rendement, des pièces,  
des accessoires ou du dépannage, composer le :

**1 800 JENNAIR (1 800 536-6247)** ou visiter notre site Web au [www.jennair.com](http://www.jennair.com).

Au Canada, composer le : **1 800 JENNAIR (1 800 536-6247)** ou visiter notre site Web au [www.jennair.ca](http://www.jennair.ca).

---

Table of Contents/Table des matières ..... 2

---

**IMPORTANT: READ AND SAVE THESE INSTRUCTIONS.**

**FOR RESIDENTIAL USE ONLY.**

**IMPORTANT : LIRE ET CONSERVER CES INSTRUCTIONS.**

**POUR UTILISATION RÉSIDENNELLE UNIQUEMENT.**



LIB0126461/W11160327B

---

## TABLE OF CONTENTS

<b>RANGE HOOD SAFETY</b> .....	<b>3</b>
<b>INSTALLATION REQUIREMENTS</b> .....	<b>5</b>
Tools and Parts.....	5
Location Requirements .....	6
Electrical Requirements .....	7
<b>INSTALLATION INSTRUCTIONS</b> .....	<b>8</b>
Prepare Location .....	8
<b>RANGE HOOD USE</b> .....	<b>15</b>
Controls .....	15
<b>RANGE HOOD CARE</b> .....	<b>16</b>
Cleaning .....	16
<b>WIRING DIAGRAM</b> .....	<b>17</b>
<b>ASSISTANCE OR SERVICE</b> .....	<b>18</b>
In the U.S.A. ....	18
In Canada .....	18
Accessories .....	18

---

## TABLE DES MATIÈRES

<b>SÉCURITÉ DE LA HOTTE</b> .....	<b>19</b>
<b>EXIGENCES D'INSTALLATION</b> .....	<b>21</b>
Outils et pièces.....	21
Exigences d'emplacement.....	22
Spécifications électriques .....	23
<b>INSTRUCTIONS D'INSTALLATION</b> .....	<b>24</b>
Préparation de l'emplacement.....	24
<b>UTILISATION DE LA HOTTE</b> .....	<b>31</b>
Commandes.....	31
<b>ENTRETIEN DE LA HOTTE</b> .....	<b>32</b>
Nettoyage .....	32
<b>SCHÉMA DE CÂBLAGE</b> .....	<b>33</b>
<b>ASSISTANCE OU DÉPANNAGE</b> .....	<b>34</b>
Aux É.-U. ....	34
Au Canada.....	34
Accessoires .....	34

# RANGE HOOD SAFETY

## Your safety and the safety of others are very important.

We have provided many important safety messages in this manual and on your appliance. Always read and obey all safety messages.



This is the safety alert symbol.

This symbol alerts you to potential hazards that can kill or hurt you and others.

All safety messages will follow the safety alert symbol and either the word "DANGER" or "WARNING."

These words mean:

**! DANGER**

You can be killed or seriously injured if you don't immediately follow instructions.

**! WARNING**

You can be killed or seriously injured if you don't follow instructions.

All safety messages will tell you what the potential hazard is, tell you how to reduce the chance of injury, and tell you what can happen if the instructions are not followed.

State of California Proposition 65 Warnings:

WARNING: This product contains one or more chemicals known to the State of California to cause cancer.

WARNING: This product contains one or more chemicals known to the State of California to cause birth defects or other reproductive harm.

# IMPORTANT SAFETY INSTRUCTIONS

**WARNING:** TO REDUCE THE RISK OF FIRE, ELECTRIC SHOCK, OR INJURY TO PERSONS, OBSERVE THE FOLLOWING:

- Use this unit only in the manner intended by the manufacturer. If you have questions, contact the manufacturer.
- Before servicing or cleaning unit, switch power off at service panel and lock the service disconnecting means to prevent power from being switched on accidentally. When the service disconnecting means cannot be locked, securely fasten a prominent warning device, such as a tag, to the service panel.
- Installation work and electrical wiring must be done by qualified person(s) in accordance with all applicable codes and standards, including fire-rated construction.
- Do not operate any fan with a damaged cord or plug. Discard fan or return to an authorized service facility for examination and/or repair.
- Sufficient air is needed for proper combustion and exhausting of gases through the flue (chimney) of fuel burning equipment to prevent back drafting. Follow the heating equipment manufacturer's guideline and safety standards such as those published by the National Fire Protection Association (NFPA), and the American Society for Heating, Refrigeration and Air Conditioning Engineers (ASHRAE), and the local code authorities.
- When cutting or drilling into wall or ceiling, do not damage electrical wiring and other hidden utilities.
- Ducted fans must always be vented to the outdoors.

**CAUTION:** For General Ventilating Use Only. Do Not Use To Exhaust Hazardous Or Explosive Materials And Vapors.

**CAUTION:** To reduce risk of fire and to properly exhaust air, be sure to duct air outside -Do not vent exhaust air into spaces within walls or ceilings or into attics, crawl spaces, or garages.

**WARNING:** TO REDUCE THE RISK OF FIRE, USE ONLY METAL DUCTWORK.

**WARNING:** TO REDUCE THE RISK OF A RANGE TOP GREASE FIRE:

- Never leave surface units unattended at high settings. Boilovers cause smoking and greasy spillovers that may ignite. Heat oils slowly on low or medium settings.
- Always turn hood ON when cooking at high heat or when flambeing food (i.e. Crepes Suzette, Cherries Jubilee, Peppercorn Beef Flambé).
- Clean ventilating fans frequently. Grease should not be allowed to accumulate on fan or filter.
- Use proper pan size. Always use cookware appropriate for the size of the surface element.

**WARNING:** TO REDUCE THE RISK OF INJURY TO PERSONS IN THE EVENT OF A RANGE TOP GREASE FIRE, OBSERVE THE FOLLOWING<sup>a</sup>:

- SMOTHER FLAMES with a close-fitting lid, cookie sheet, or metal tray, then turn off the burner. BE CAREFUL TO PREVENT BURNS. If the flames do not go out immediately, EVACUATE AND CALL THE FIRE DEPARTMENT.
- NEVER PICK UP A FLAMING PAN - You may be burned.
- DO NOT USE WATER, including wet dishcloths or towels - a violent steam explosion will result.
- Use an extinguisher ONLY if:
  - You know you have a Class ABC extinguisher, and you already know how to operate it.
  - The fire is small and contained in the area where it started.
  - The fire department is being called.
  - You can fight the fire with your back to an exit.

<sup>a</sup>Based on "Kitchen Fire Safety Tips" published by NFPA.

- **WARNING:** To Reduce The Risk Of Fire Or Electric Shock, Do Not Use This Fan With Any Solid-State Speed Control Device.
- This appliance is not intended for use by people (including children) whose physical, sensory or mental capacities are different or impaired or who lack the necessary experience or knowledge/expertise to do so, unless such persons are supervised or are trained to operate the appliance by a person who accepts responsibility for their safety.

## READ AND SAVE THESE INSTRUCTIONS

# INSTALLATION REQUIREMENTS

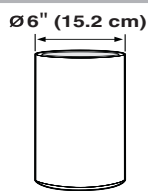

## Tools and Parts

Gather the required tools and parts before starting installation. Read and follow the instructions provided with any tools listed here.

### Tools needed:

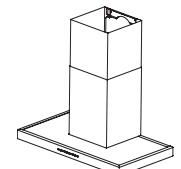
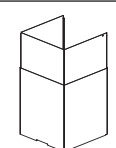
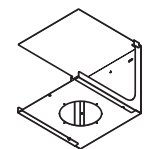
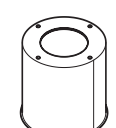
- Level
- Drill with 1 1/4" (3.0 cm), 3/16" (5.0 mm) and 6/19" (8.0 mm) drill bits
- Pencil
- Tape measure or ruler
- Adhesive tape
- Flat-blade screwdriver
- Metal snips
- Phillips screwdriver
- POZI driver
- T20® Torx® bit or driver



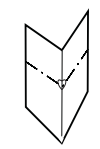
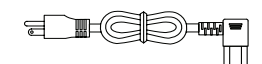
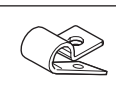





### Parts needed:

Part Name	Qty.	
Flexible duct as per ceiling height; external diameter 6" (15.2 cm)	1	
Steel duct clamps for 6" (15.2 cm) ducts	2	

### Parts supplied:

Remove parts from packages. Check that all parts are included.

Part Name	Qty.	
Hood canopy assembly with ventilator and lights installed	1	
Chimney covers	2	
Charcoal filter mounting bracket	1	
Charcoal filter	1	

Part Name	Qty.	
Charcoal filter clamps	3	
Plastic transition	1	
Paper template	1	
3 prong plug with connector	1	
Wire clamp	1	
Ø5 x 45 mm screws	8	
Ø8 x 40 mm anchors	8	
3.5 x 9.5 mm screws	6	
2.9 x 6.5 mm pins	2	
Flat washers	3	

## Location Requirements

**IMPORTANT:** Observe all governing codes and ordinances. Have a qualified technician to install the range hood. It is the installer's responsibility to comply with installation clearances specified on the model/serial/rating plate. The model/serial/rating plate is located behind the left filter on the rear wall of the vent hood.

Canopy hood location should be away from strong draft areas, such as windows, doors and strong heating vents.

Cabinet opening dimensions that are shown must be used. Given dimensions provide minimum clearance.

The canopy hood mounting location must be capable of supporting 100 lbs (45.4 kg).

This range hood is recommended for use with cooktops with a maximum total rating of 68,000 BTUs or less.

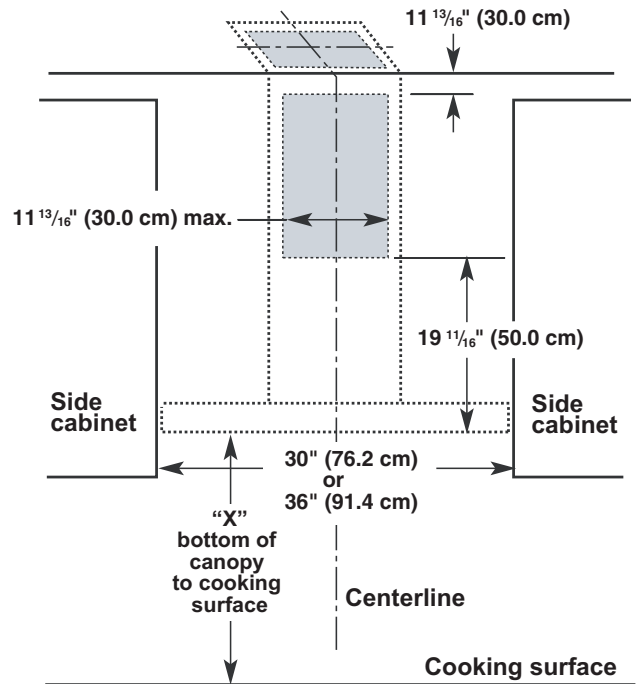
Grounded electrical outlet is required. See the "Electrical Requirements" section.

All openings in ceiling and wall where canopy hood will be installed must be sealed.

### For Mobile Home Installations:

The installation of this range hood must conform to the Manufactured Home Construction Safety Standards, Title 24 CFR, Part 328 (formerly the Federal Standard for Mobile Home Construction and Safety, Title 24, HUD, Part 280) or when such standard is not applicable, the standard for Manufactured Home Installation 1982 (Manufactured Home Sites, Communities and Setups) ANSI A225.1/NFPA 501A, or latest edition, or with local codes.

## Cabinet Dimensions



\*For non-vented (recirculating) installations

### IMPORTANT:

Minimum distance "X": 24" (61.0 cm) from electric cooking surface.

Minimum distance "X": 30" (76.2 cm) from gas cooking surface.

Suggested maximum distance "X": 36" (91.4 cm)

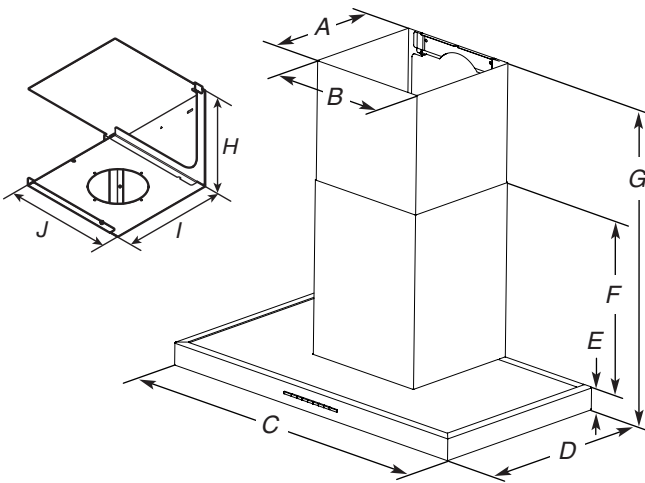
**NOTE:** For best performance of the Auto Sense feature, the range hood should be installed at 24" (61.0 cm) from an electric cooking surface and 30" (76.2 cm) from a gas cooking surface.

The chimneys can be adjusted for different ceiling heights. See the following chart.

	Installation	
	Min. ceiling height	Max. ceiling height
Electric cooking surface	8' 2 <sup>5</sup> / <sub>8</sub> " (2.50 m)	10' 4" (3.24 m)
Gas cooking surface	8' 6 <sup>5</sup> / <sub>8</sub> " (2.61 m)	10' 4" (3.24 m)

**\*NOTE:** The range hood chimneys are adjustable and designed to meet varying ceiling or soffit heights depending on the distance "X" between the bottom of the range hood and the cooking surface.

## Product Dimensions



- A. 12<sup>5</sup>/<sub>8</sub>" (32.1 cm)
- B. 12<sup>13</sup>/<sub>16</sub>" (32.5 cm)
- C. For 30" (76.2 cm) models, 29<sup>15</sup>/<sub>16</sub>" (76.0 cm)  
For 36" (91.4 cm) models, 35<sup>15</sup>/<sub>16</sub>" (91.3 cm)
- D. For 30" (76.2 cm) models, 17<sup>15</sup>/<sub>16</sub>" (45.6 cm)  
For 36" (91.4 cm) models, 17<sup>15</sup>/<sub>16</sub>" (45.6 cm)
- E. 2<sup>3</sup>/<sub>8</sub>" (6.0 cm)
- F. 24" (61.0 cm)
- G. 38<sup>5</sup>/<sub>8</sub>" (98.1 cm) min.  
49<sup>1</sup>/<sub>8</sub>" (124.8 cm) max.
- H. 11<sup>5</sup>/<sub>8</sub>" (29.5 cm)
- I. 12" (30.5 cm)
- J. 12<sup>3</sup>/<sub>8</sub>" (31.4 cm)

## Electrical Requirements

Observe all governing codes and ordinances.

Ensure that the electrical installation is adequate and in conformance with National Electrical Code, ANSI/NFPA 70 (latest edition), or CSA Standards C22.1-94, Canadian Electrical Code, Part 1 and C22.2 No. 0-M91 (latest edition) and all local codes and ordinances.

If codes permit and a separate ground wire is used, it is recommended that a qualified electrician determine that the ground path is adequate.

A copy of the above code standards can be obtained from:

National Fire Protection Association  
1 Batterymarch Park  
Quincy, MA 02169-7471

CSA International  
8501 East Pleasant Valley Road  
Cleveland, OH 44131-5575

- A 120 V, 60 Hz, AC only, 15 A, fused electrical circuit is required.

### For 3 Prong Grounded Power Cord:

## ⚠ WARNING



### Electrical Shock Hazard

**Plug into a grounded 3 prong outlet.**

**Do not remove ground prong.**

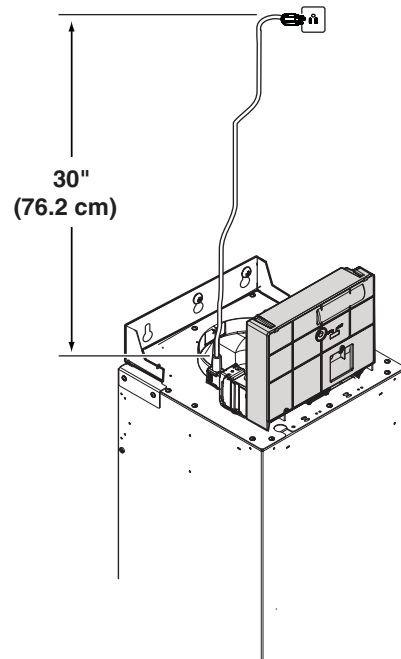
**Do not use an adapter.**

**Do not use an extension cord.**

**Failure to follow these instructions can result in death, fire, or electrical shock.**

- This range hood is equipped with a power supply cord having a 3 prong grounding plug.
- To minimize possible shock hazard, the cord must be plugged into a mating, 3 prong, grounding-type outlet, grounded in accordance with local codes and ordinances. If a mating outlet is not available, it is the responsibility of the customer to have the properly grounded outlet installed by a qualified electrician.

- The grounded 3 prong outlet is to be located above the range hood at a maximum distance of 30" (76.2 cm) from where the power cord exits the hood. See illustration.



## GROUNDING INSTRUCTIONS

- For a grounded, cord-connected range hood: This range hood must be grounded. In the event of an electrical short circuit, grounding reduces the risk of electric shock by providing an escape wire for the electric current. This range hood is equipped with a cord having a grounding wire with a grounding plug. The plug must be plugged into an outlet that is properly installed and grounded.

**WARNING:** Improper grounding can result in a risk of electric shock.

Consult a qualified electrician if the grounding instructions are not completely understood, or if doubt exists as to whether the range hood is properly grounded.

Do not use an extension cord. If the power supply cord is too short, have a qualified electrician install an outlet near the range hood.

## SAVE THESE INSTRUCTIONS

# INSTALLATION INSTRUCTIONS

## Prepare Location

- Before making cutouts, make sure there is proper clearance within the ceiling or wall for exhaust vent.
  - Check your ceiling height and the hood height maximum before you select your hood.
1. Disconnect power.
  2. Select a flat surface for assembling the range hood. Place covering over that surface.

- Tape the template sheet so the lower edge of the sheet representing the bottom of the hood is at a mounting height between a minimum of 24" (61.0 cm) for an electric cooking surface, a minimum of 30" (76.2 cm) for a gas cooking surface, and a suggested maximum of 36" (91.4 cm) for both gas and electric cooking surfaces.

### **! WARNING**

#### **Excessive Weight Hazard**

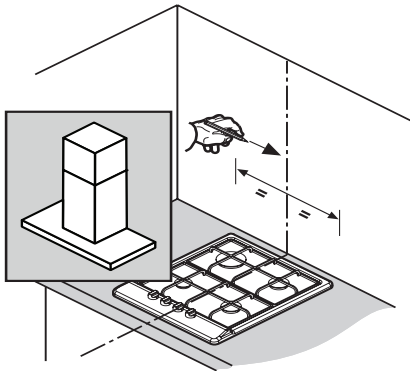
**Use two or more people to move and install range hood.**

**Failure to do so can result in back or other injury.**

3. Using 2 or more people, lift range hood onto covered surface.

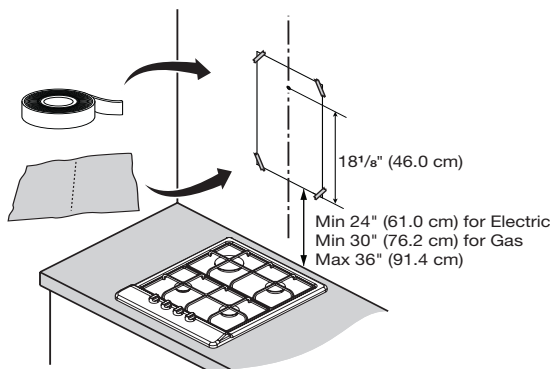
## Canopy Installation Preparation

### 1. Mark centerline on wall

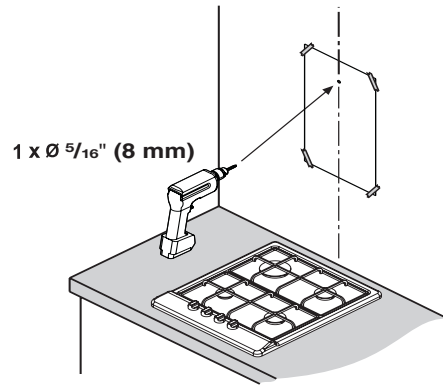


- Determine and mark the centerline on the wall where the canopy hood will be installed.

### 2. Tape template to wall

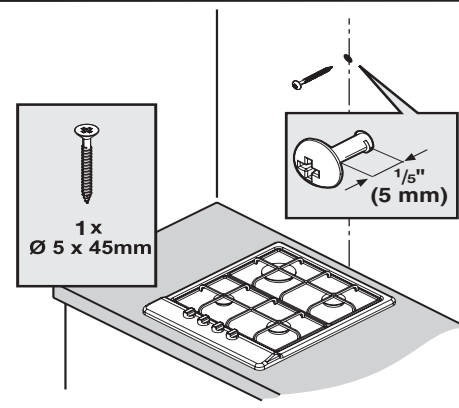


### 3. Drill pilot holes



- Drill an 5/16" (8 mm) pilot hole per the hole location on the template sheet.
- Ensure the hole aligns with the centerline drawn.
- Remove the template sheet.

### 4. Install mounting screw

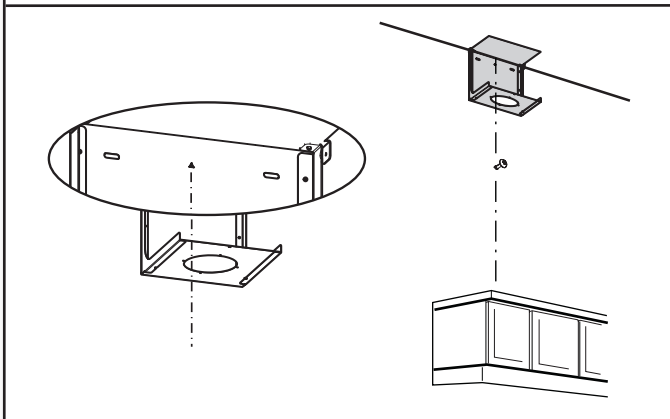


- Install one 8 x 40 mm anchor.
- Install one 5 x 45 mm screw.
- Ensure the screw has at least 1/5" (5 mm) gap to the wall when screwed in for mounting the hood.



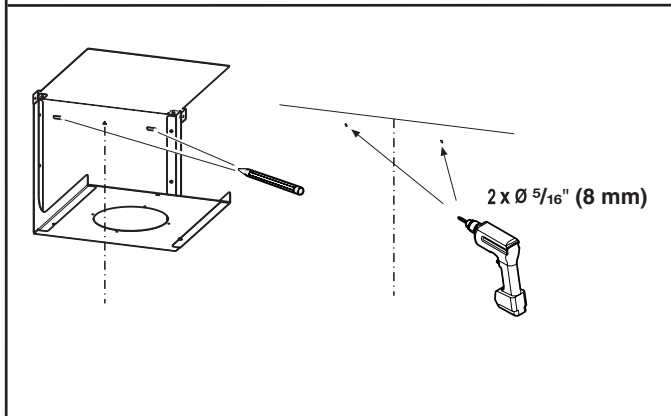
## Charcoal Filter Bracket Installation

### 1. Align charcoal filter bracket



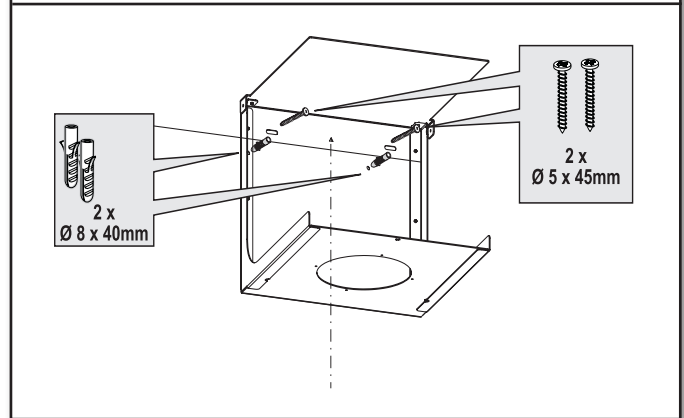
- Remove the charcoal filter bracket from the box and place it at the desired height above the hood canopy bottom (use provided template for reference).
- Ensure the center of the bracket is aligned with the center line marked to confirm the center of the hood aligns with the center of the filter bracket.

### 2. Drill pilot holes



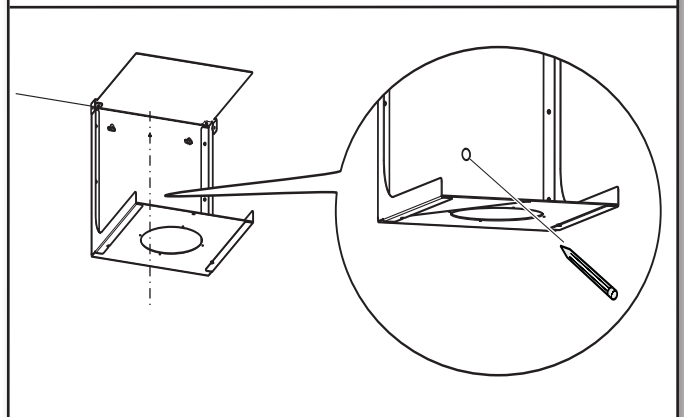
- Mark holes as per center line and drill 2-5/16" (8 mm) holes.  
**Tip:** Use a level tool to ensure the bracket is level before drilling the holes.

### 3. Install anchors



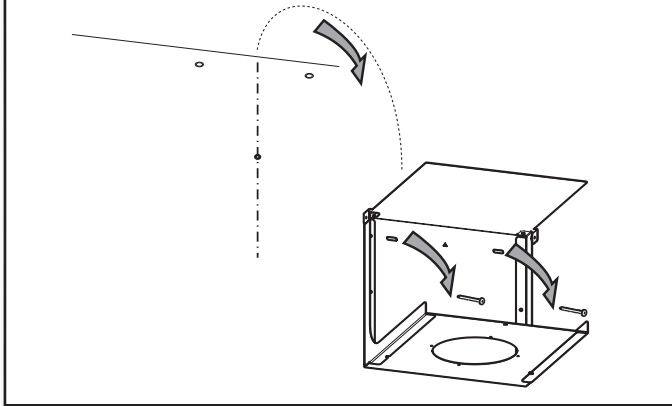
- Install 2 anchors and screw the bracket into place.
- Do not fully tighten the screws as the bracket will need to be removed in the next step.

### 4. Mark center hole



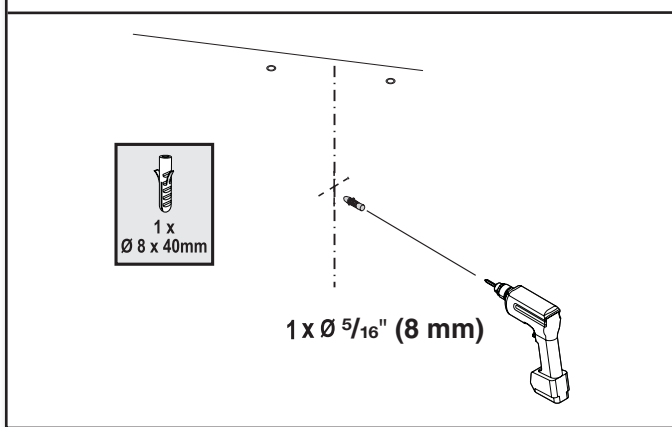
- Mark the center hole with a pencil.

## 5. Remove bracket



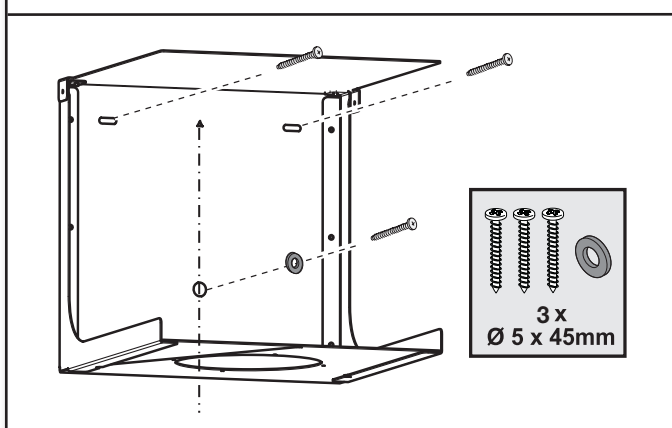
- Remove the screws (not the anchors) in order to remove the bracket.

## 6. Drill center hole



- Drill an 5/16" (8 mm) hole where the center hole is marked and insert 1-5/16" (8 mm) anchor.

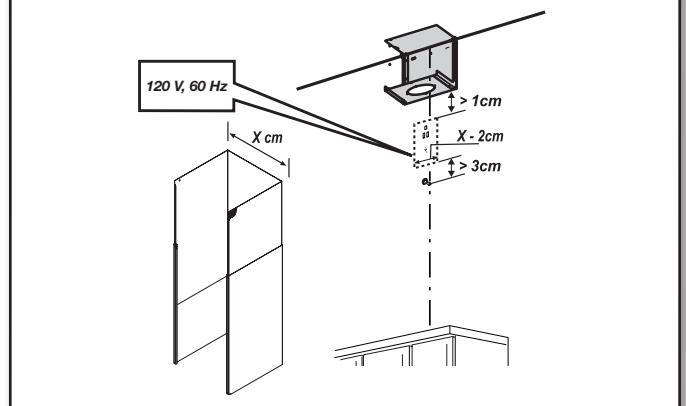
## 7. Mount charcoal filter bracket



- Place the charcoal filter bracket back into position so that all the holes are aligned with the anchors.
- Secure 2 screws on the upper bracket slots and one screw with a flat washer on the lower bracket slot, to secure the bracket in position.

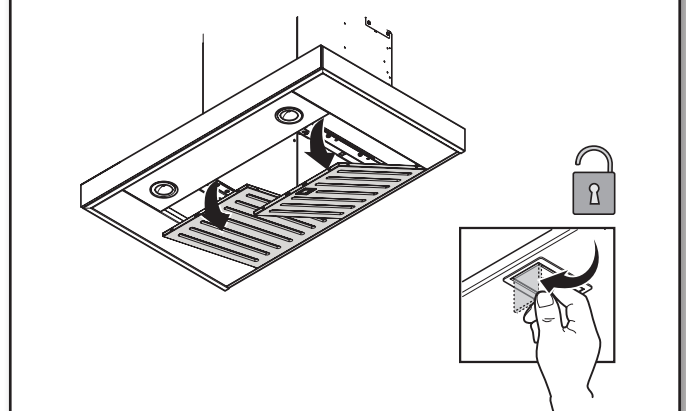
## Prepare for Installation

### 1. Verify electrical outlet location



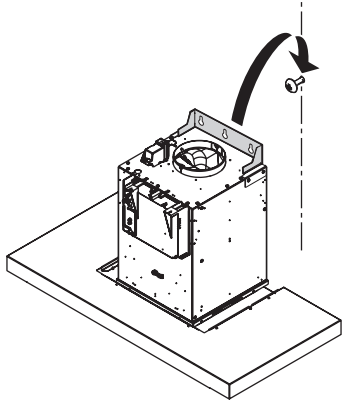
- Ensure grounded 3 prong outlet capable of 120 V, 60 Hz is available before proceeding.
- Ensure at least 2/5" (1 cm) gap between bottom of the charcoal filter bracket to top of the grounded 3 prong outlet.
- Ensure at least 1<sup>9</sup>/<sub>50</sub>" (3 cm) gap between anchor screw and the bottom of the grounded 3 prong outlet.
- Ground 3 prong outlet must be 4/5" (2 cm) shorter in width than the chimney width.

### 2. Remove grease filter



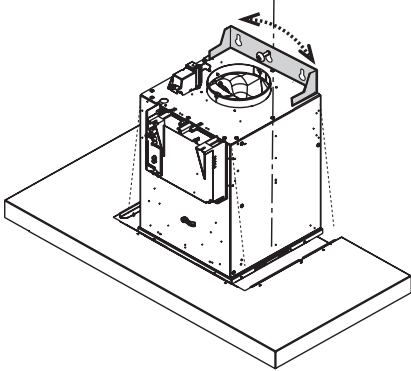
- Remove grease filters before proceeding.

### 3. Place hood on mounting screw



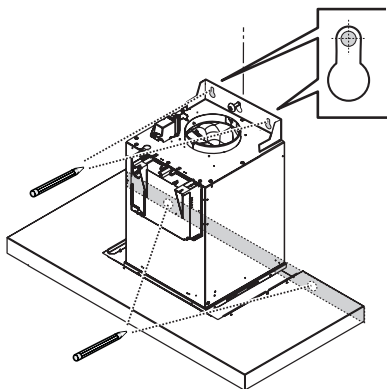
- Using 2 or more people, hang the range hood on the mounting screw through the mounting slot on the back of the hood.

### 4. Level hood



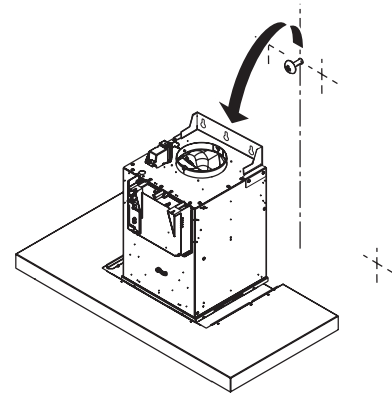
- Use a level to ensure the hood is level before proceeding.

### 5. Mark mounting hole



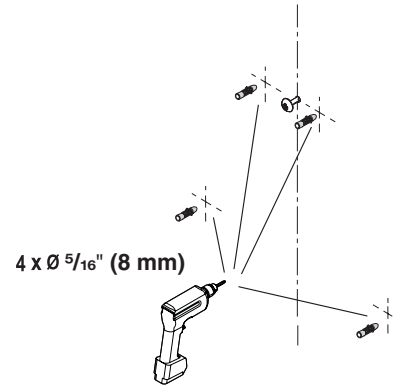
- Once you have the hood aligned properly, use a pencil to mark 4 holes as shown in the picture.

### 6. Remove hood



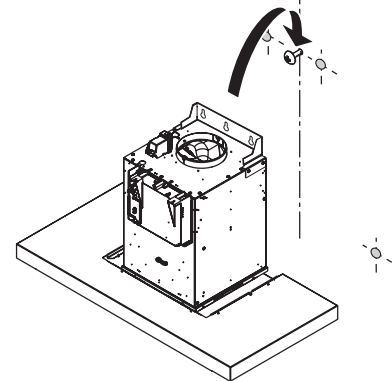
- Using 2 or more people, remove the hood.

### 7. Drill holes



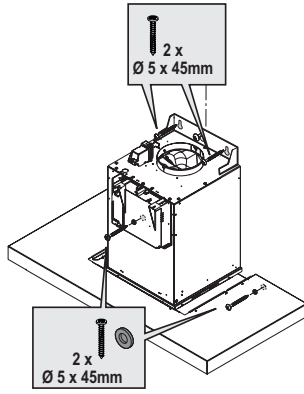
- Drill 4-5/16" (8 mm) holes.

### 8. Mount range hood



- Using 2 or more people, hang the range hood on the mounting screw through the mounting slot on the back of the hood.

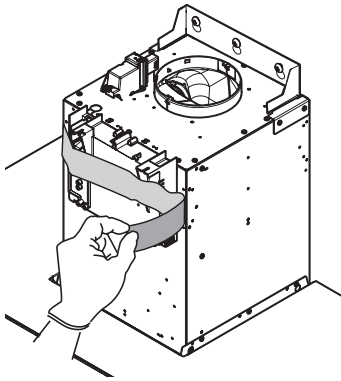
## 9. Secure with screws



- Fasten the hood with 2-5 x 45 mm screws on the top and 2-4 x 45 mm screws with flat washers at the bottom as shown.

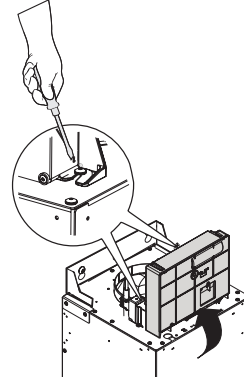
## Making Electrical Connection

### 1. Remove tape



- Remove the tape holding the electrical box in the hood.

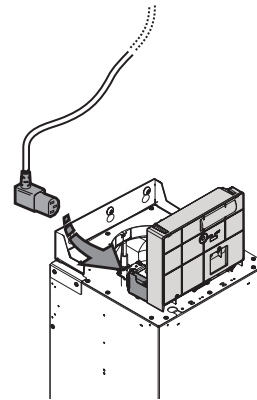
### 2. Mount electrical box



- Slide the electrical box onto the screws provided and tighten it with a flat head screwdriver.

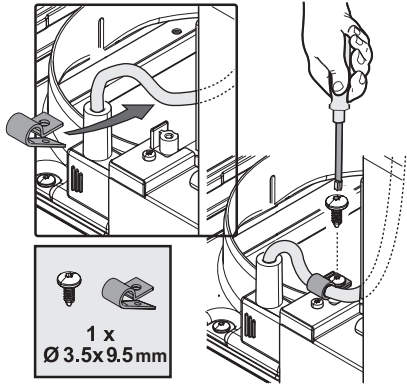
**Tip:** Use a manual driver for this operation.

### 3. Connect the power cord



- Insert the connector into the slot provided on the electrical box.

#### 4. Secure power cord



- Using the wire clamp provided, secure the wire as shown.

### ⚠ WARNING



#### Electrical Shock Hazard

Plug into a grounded 3 prong outlet.

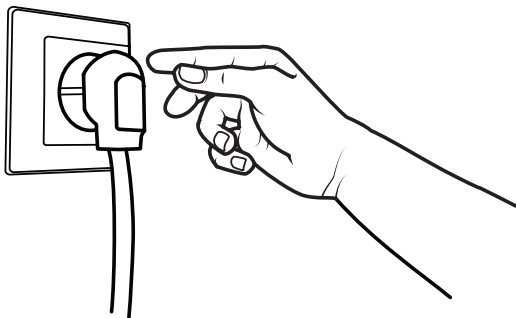
Do not remove ground prong.

Do not use an adapter.

Do not use an extension cord.

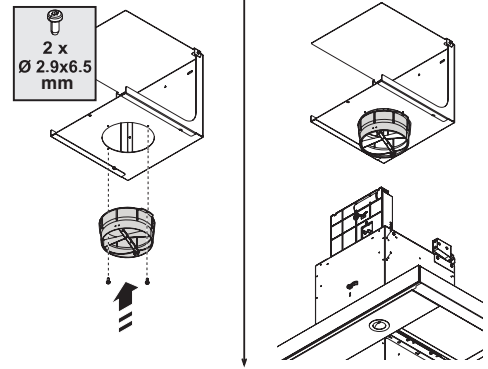
Failure to follow these instructions can result in death, fire, or electrical shock.

#### 5. Plug into a grounded 3 prong outlet



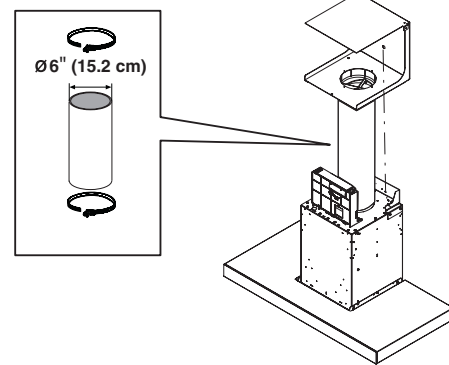
### Complete Installation

#### 1. Install plastic transition



- Align the plastic transition to the bottom of the charcoal filter bracket and fasten it with the 2-2.9 x 6.5 mm screws.

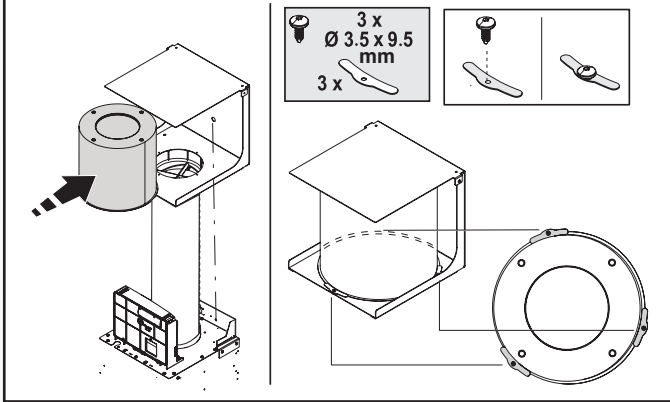
#### 2. Install duct



- Slide the duct into place ensuring it is placed over the exhaust of the hood and over the plastic transition.
- Secure in place with the duct clamps.

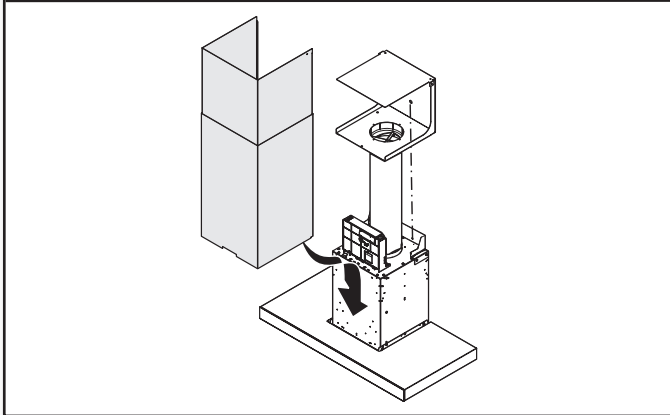
**NOTE:** Use of flexible duct is recommended.

### 3. Install charcoal filter



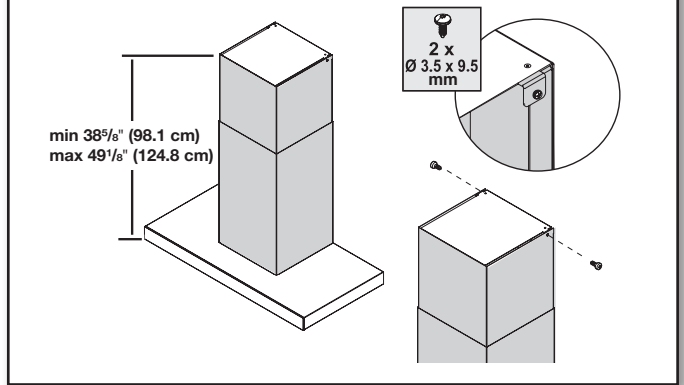
- Slide the charcoal filter into place on the bracket as shown.
- Secure the charcoal filter in three locations with the clamps provided as shown.

### 4. Install the chimney cover



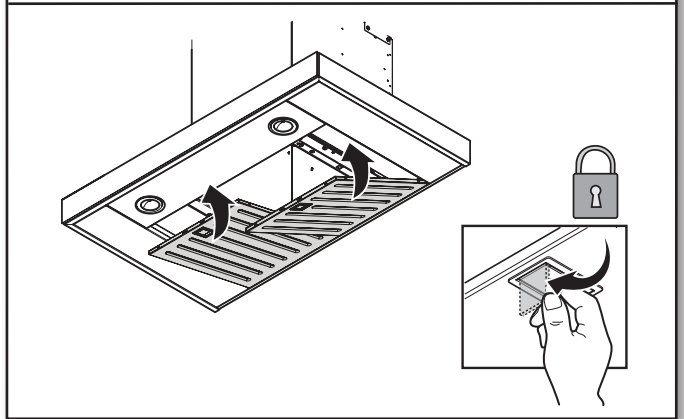
- Slide the chimney cover into the slot over the canopy and adjust the height of the chimney as needed.
- Chimney height:  
Minimum: 38<sup>5</sup>/<sub>8</sub>" (98.1 cm)  
Maximum: 49<sup>1</sup>/<sub>8</sub>" (124.8 cm)  
**Tip:** Ensure the hood is connected electrically and working before assembling the chimney cover.

### 5. Secure the chimney to bracket



- Fasten the top of the chimney to the filter bracket with the screws provided.

### 6. Reinstall grease filter

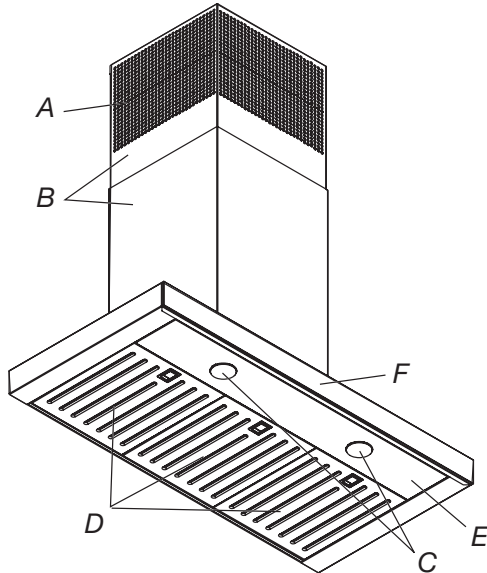


- Install the grease filter back into position.

# RANGE HOOD USE

The range hood is designed to remove smoke, cooking vapors and odors from the cooktop area. For best results, start the hood before cooking and allow it to operate several minutes after the cooking is complete to clear all smoke and odors from the kitchen.

The range hood controls are located on the front of the canopy.



- A. Louver holes (non-vented [recirculating] installations only)
- B. Chimney covers
- C. Lamps
- D. Filter door
- E. Canopy
- F. Control panel

## Controls



### Fan On-Off

Touch the "Fan On-Off" keypad to turn the fan on or off.

### Med Fan

Touch the "Med Fan" keypad to turn the fan to medium speed.

### Hi Fan

Touch the "Hi Fan" keypad once to turn the fan to high speed.

Touch the "Hi Fan" keypad twice to turn the fan to the highest fan speed.

**NOTE:** The highest fan speed lasts for approximately 5 minutes, then the fan returns to the high fan speed automatically.

### Timed Fan

Touch the "Timed Fan" keypad to set the automatic shutdown timer.

#### Set automatic shutdown timer:

Press one of the following keypads to set the automatic shutdown of the fan according to desired shutdown time:

1. Quiet Fan: 20 minutes
2. Med fan: 15 minutes
3. Hi Fan: 10 minutes

When the "Timed Fan" keypad flashes, maintenance of the charcoal filter needs to be completed. Once completed, touch and hold down the "Fan On-Off" keypad until the flashing stops.

### Quiet Fan

Touch the "Quiet Fan" keypad to select the 'silent' fan. This fan speed provides a subtle fan speed.

When the "Quiet Fan" keypad flashes, maintenance of the grease filter needs to be completed. Once completed, touch and hold down the "Fan On-Off" keypad until the flashing stops.

### Light On-Off

Touch the "Light On-Off" keypad to turn the hood light on or off.

## Automatic operation under high temperature conditions

The hood is equipped with a sensor which detects the cooking temperature. When this becomes too high, the sensor automatically turns on the medium fan speed. The hood turns off once the temperature has cooled down.

When the "Med Fan", "Hi Fan" and "Timed Fan" keypads flash, the automatic sensor will turn on.

### Activation of the charcoal filter maintenance indicator

This indicator is automatically set to Off. To activate it, proceed as follows:

With the hood off, press and hold the "Med Fan" and "Hi Fan" keypads at the same time until both keypads flash.

### Deactivation of charcoal filter maintenance indicator

With the hood off, press and hold the "Med Fan" and "Hi Fan" keypads at the same time until both keypads flash. This is followed by flashing only "Hi Fan" keypad to indicate successful deactivation.

# RANGE HOOD CARE

## Cleaning

### Exterior Surfaces:

To avoid damage to the exterior surface, do not use steel wool or soap-filled scouring pads.

Always wipe dry to avoid water marks.

### Cleaning Method:

- Liquid detergent soap and water, or all-purpose cleanser: Wipe with damp soft cloth or nonabrasive sponge, then rinse with clean water and wipe dry.

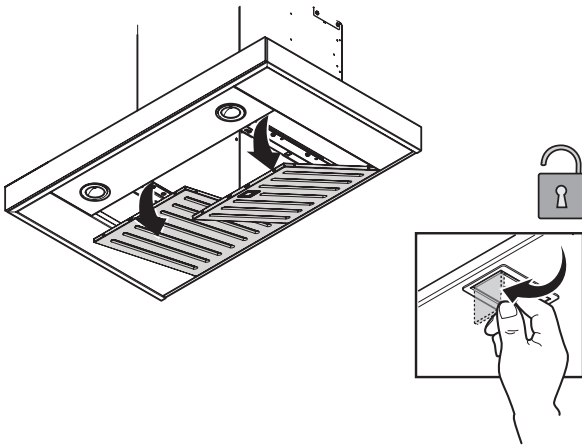
### Grease Filters

**IMPORTANT:** Clean the hood and grease filters frequently according to the following instructions. Replace grease filters before operating hood.

Clean once a month (or when the filter saturation indication system indicates it necessary) using non aggressive detergents, either by hand or in the dishwasher, which must be set to a low temperature and a short cycle.

When washed in a dishwasher, the grease filter may discolor slightly, but this does not affect its filtering capacity.

To remove the grease filter, pull the spring release handle.



### Charcoal Filter

**It absorbs unpleasant odors caused by cooking.**

The efficiency of the charcoal filter degrades slowly due to prolonged use, depending on the type of cooking, and the regularity of cleaning the grease filter.

Replace the cartridge at least every five years.

It cannot be washed.

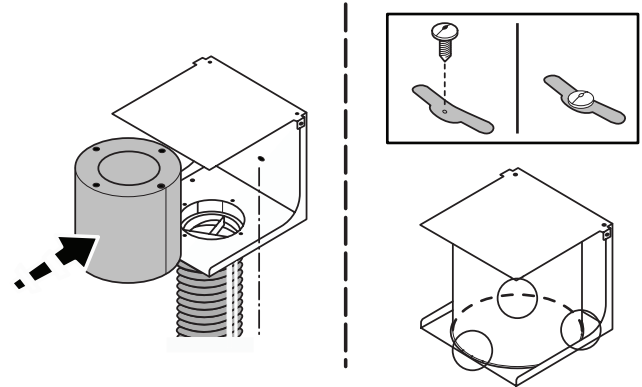
For maximum performance, the filter is larger than standard filters and needs to be installed on a support above the hood.

### Installation:

Place the charcoal filter into the charcoal filter mounting bracket. Install the charcoal filter clamps in the locations shown.

**NOTE:** The opening of the charcoal filter should be placed facing down towards the hood.

**NOTE:** When used in recirculation mode, To Reduce the Risk of Fire and Shock use only conversion kit Model W11197817.



### Replacing LED Lights

The hood is equipped with a lighting system based on LED technology.

To purchase spare LEDs, see the "Assistance or Service" section.

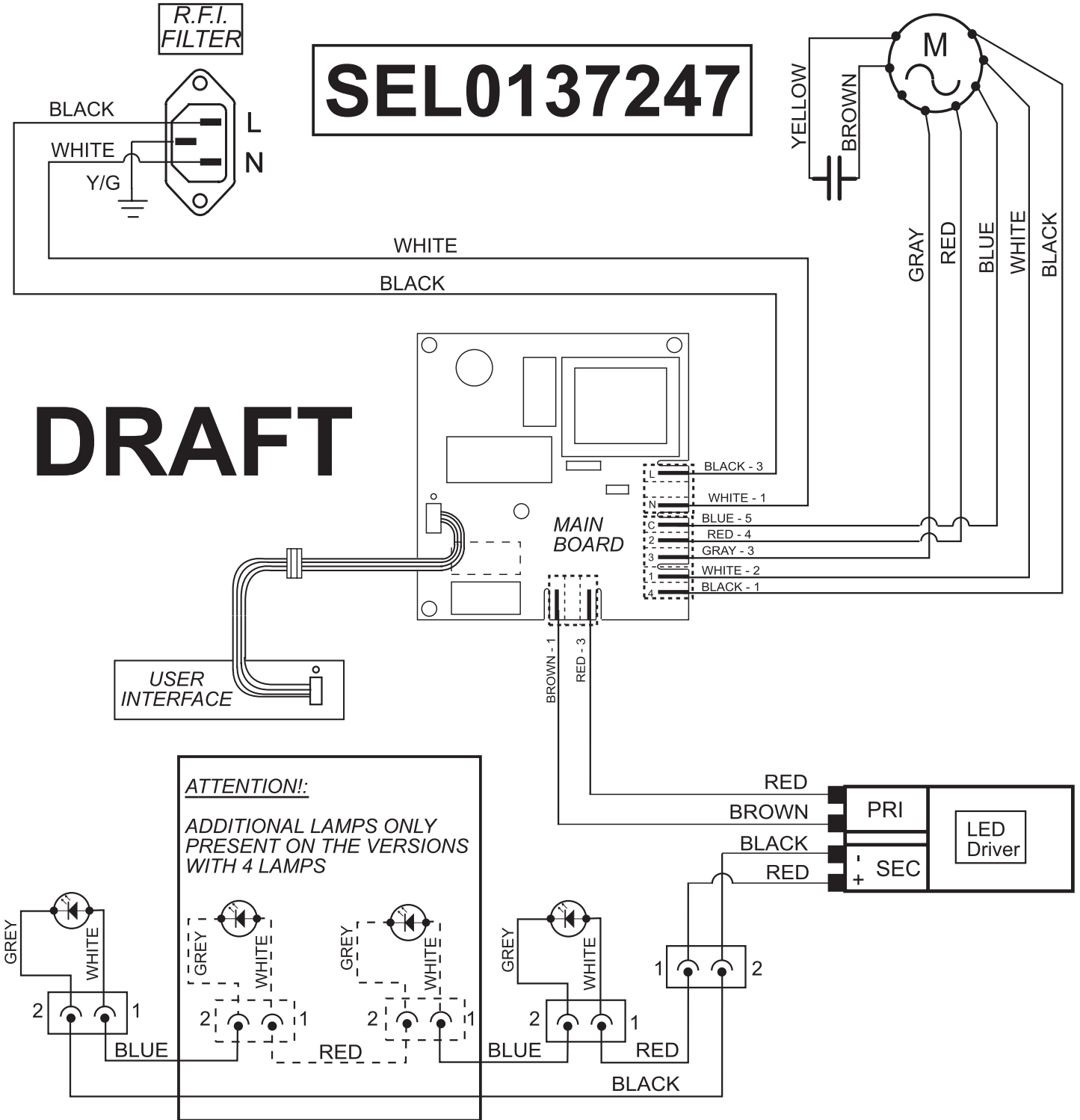
**NOTE:** Lights can be replaced by service technician only.



# WIRING DIAGRAM

## SEL0137247

# DRAFT



**ATTENTION!:**

ADDITIONAL LAMPS ONLY  
PRESENT ON THE VERSIONS  
WITH 4 LAMPS

---

# ASSISTANCE OR SERVICE

---

## If you need service:

Please refer to the warranty page in this manual.

## If you need replacement parts:

If you need to order replacement parts, we recommend that you use only factory specified parts. Factory specified parts will fit right and work right because they are made with the same precision used to build every new appliance.

To locate factory specified replacement parts in your area, call the following customer assistance telephone number or your nearest designated service center.

---

## In the U.S.A.

Call JennAir Customer eXperience Center toll free: **1-800-JENNAIR (1-800-536-6247)** or visit our website at **www.jennair.com**.

### Our consultants provide assistance with:

- Scheduling of service. JennAir® appliances designated service technicians are trained to fulfill the product warranty and provide after-warranty service anywhere in the United States.
- Features and specifications on our full line of appliances.
- Referrals to local JennAir® appliance dealers.
- Installation information.
- Use and maintenance procedures.
- Accessory and repair parts sales.
- Specialized customer assistance (Spanish speaking, hearing impaired, limited vision, etc.).

### For further assistance:

If you need further assistance, you can write to JennAir® Appliances with any questions or concerns at:

JennAir Brand Home Appliances  
Customer eXperience Center  
553 Benson Road  
Benton Harbor, MI 49022-2692

Please include a daytime phone number in your correspondence.

## In Canada

Call the Whirlpool Canada LP Customer eXperience Centre toll free at **1-800-JENNAIR (1-800-536-6247)** or visit our website at **www.jennair.ca**.

### Our consultants provide assistance with:

- Scheduling of service. JennAir® appliances designated service technicians are trained to fulfill the product warranty and provide after-warranty service anywhere in Canada.
- Features and specifications on our full line of appliances.
- Referrals to local JennAir® appliance dealers.
- Installation information.
- Use and maintenance procedures.
- Accessory and repair parts sales.

### For further assistance:

If you need further assistance, you can write to JennAir® Appliances with any questions or concerns at:

JennAir Brand Home Appliances  
Customer eXperience Centre  
200 - 6750 Century Ave.  
Mississauga, Ontario L5N 0B7

Please include a daytime phone number in your correspondence.

---

## Accessories

### Charcoal Filter Kit

Order Part Number W11197817

# SÉCURITÉ DE LA HOTTE

## **Votre sécurité et celle des autres est très importante.**

Nous donnons de nombreux messages de sécurité importants dans ce manuel et sur votre appareil ménager. Assurez-vous de toujours lire tous les messages de sécurité et de vous y conformer.



Voici le symbole d'alerte de sécurité.

Ce symbole d'alerte de sécurité vous signale les dangers potentiels de décès et de blessures graves à vous et à d'autres.

Tous les messages de sécurité suivront le symbole d'alerte de sécurité et le mot "DANGER" ou "AVERTISSEMENT". Ces mots signifient :

**⚠ DANGER**

**Risque possible de décès ou de blessure grave si vous ne suivez pas immédiatement les instructions.**

**⚠ AVERTISSEMENT**

**Risque possible de décès ou de blessure grave si vous ne suivez pas les instructions.**

Tous les messages de sécurité vous diront quel est le danger potentiel et vous disent comment réduire le risque de blessure et ce qui peut se produire en cas de non-respect des instructions.

Avertissements de la proposition 65 de l'État de Californie :

**AVERTISSEMENT :** Ce produit contient au moins un produit chimique connu par l'État de Californie pour être à l'origine de cancers.

**AVERTISSEMENT :** Ce produit contient au moins un produit chimique connu par l'État de Californie pour être à l'origine de malformations et autres déficiences de naissance.

# IMPORTANTES INSTRUCTIONS DE SÉCURITÉ

**AVERTISSEMENT : POUR RÉDUIRE LE RISQUE D'INCENDIE, DE DÉCHARGE ÉLECTRIQUE OU DE BLESSURES, RESPECTER LES INSTRUCTIONS SUIVANTES :**

- Utiliser cet appareil uniquement selon les modalités d'utilisation prévues par le fabricant. Pour toute question, contacter le fabricant.
- Avant d'entreprendre une opération d'entretien ou de nettoyage sur l'appareil, interrompre l'alimentation de l'appareil au panneau de distribution et verrouiller ce dernier pour empêcher tout rétablissement accidentel de l'alimentation du circuit. Lorsqu'il n'est pas possible de verrouiller le tableau de distribution, placer sur ce dernier une étiquette d'avertissement bien en vue interdisant le rétablissement de l'alimentation.
- Tout travail d'installation ou câblage électrique doit être réalisé par une personne qualifiée, dans le respect des prescriptions de tous les codes et toutes les normes applicables, y compris les codes du bâtiment et de protection contre les incendies.
- Ne pas faire fonctionner un ventilateur dont le cordon ou la fiche est endommagé. Jeter le ventilateur ou le retourner à un centre de service agréé pour examen ou réparation.
- Une source d'air de débit suffisant est nécessaire pour que la combustion et l'évacuation des gaz puissent s'effectuer correctement par la cheminée de l'appareil à gaz, afin d'éviter tout reflux des gaz de combustion. Respecter les directives du fabricant de l'équipement de chauffage et les prescriptions des normes de sécurité – comme celles publiées par la National Fire Protection Association (NFPA) et l'American Society for Heating, Refrigeration and Air Conditioning Engineers (ASHRAE), ainsi que les prescriptions des autorités réglementaires locales.
- Lors des opérations de découpage et de perçage dans un mur ou un plafond, ne pas endommager les câblages électriques et les canalisations qui peuvent s'y trouver.
- Les ventilateurs d'évacuation doivent toujours décharger l'air vers l'extérieur.

**MISE EN GARDE :** Cet appareil est conçu uniquement pour la ventilation générale. Ne pas l'utiliser pour l'extraction de matières ou vapeurs dangereuses ou explosives.

**MISE EN GARDE :** Pour réduire le risque d'incendie et évacuer adéquatement les gaz, acheminer l'air aspiré par un conduit jusqu'à l'extérieur – ne pas décharger l'air aspiré dans un espace vide du bâtiment comme une cavité murale, un plafond, un grenier, un vide sanitaire ou un garage.

**AVERTISSEMENT :** POUR RÉDUIRE LE RISQUE D'INCENDIE, UTILISER UNIQUEMENT DES CONDUITS MÉTALLIQUES.

**AVERTISSEMENT :** POUR RÉDUIRE LE RISQUE D'UN FEU DE GRAISSE SUR LA CUISINIÈRE :

- Ne jamais laisser un élément de surface fonctionner à puissance maximale sans surveillance. Un renversement/débordement de matière grasseuse peut provoquer des flammes et générer de la fumée. Chauffer l'huile à une puissance moyenne ou basse.
- Veiller à toujours faire fonctionner le ventilateur de la hotte lors de la cuisson avec une puissance élevée ou lors de la cuisson d'un mets à flamber (à savoir crêpes Suzette, cerises jubiléées, steak au poivre flambé).
- Nettoyer fréquemment le ventilateur d'extraction. Veiller à ne pas laisser la graisse s'accumuler sur les surfaces du ventilateur ou des filtres.
- Utiliser toujours un ustensile de taille appropriée. Utiliser toujours un ustensile adapté à la taille de l'élément chauffant.

**AVERTISSEMENT :** POUR RÉDUIRE LE RISQUE DE BLESSURES APRÈS LE DÉCLENCHEMENT D'UN FEU DE GRAISSE SUR LA CUISINIÈRE, RESPECTER LES RECOMMANDATIONS SUIVANTES<sup>a</sup>:

- Placer sur le récipient un couvercle bien ajusté, une tôle à biscuits ou un plateau métallique **POUR ÉTOUFFER LES FLAMMES**, puis éteindre le brûleur. **VEILLER À ÉVITER LES BRÛLURES**. Si les flammes ne s'éteignent pas immédiatement, **ÉVACUER LA PIÈCE ET APPELER LES POMPIERS**.
- **NE JAMAIS PRENDRE EN MAIN UN RÉCIPENT ENFLAMMÉ** – Vous risquez de vous brûler.
- **NE PAS UTILISER D'EAU** ni de torchon humide – ceci pourrait provoquer une explosion de vapeur brûlante.
- Utiliser un extincteur **SEULEMENT** si :
  - Il s'agit d'un extincteur de classe ABC, dont on connaît le fonctionnement.
  - Il s'agit d'un petit feu encore limité à l'endroit où il s'est déclaré.
  - Les pompiers ont été contactés.
  - Il est possible de garder le dos orienté vers une sortie pendant l'opération de lutte contre le feu.

<sup>a</sup>Recommandations tirées des conseils de sécurité en cas d'incendie de cuisine publiés par la NFPA.

- **AVERTISSEMENT :** Pour réduire le risque d'incendie ou de décharge électrique, ne pas utiliser ce ventilateur avec un dispositif de réglage de la vitesse à semi-conducteurs.
- Cet appareil ne convient pas à une utilisation par des personnes (y compris des enfants) dont les capacités physiques, sensorielles ou mentales sont différentes ou réduites ou qui ne possèdent pas l'expérience, les connaissances ou l'expertise nécessaire, à moins d'être supervisées ou d'avoir reçu des instructions concernant l'utilisation par une personne responsable de leur sécurité.

## LIRE ET CONSERVER CES INSTRUCTIONS

# EXIGENCES D'INSTALLATION

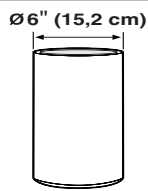

## Outils et pièces

Rassembler les outils et pièces nécessaires avant d'entreprendre l'installation. Lire et observer les instructions fournies avec chacun des outils de la liste ci-dessous.

### Outils nécessaires :

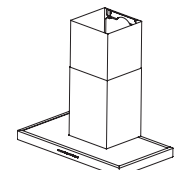
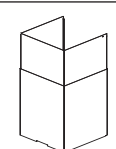
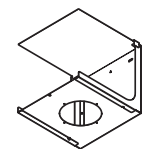
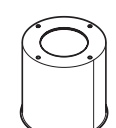
- Niveau
- Perceuse avec forets de 1 1/4 po (3,0 cm), 3/16 po (5,0 mm) et 6/19 po (8,0 mm)
- Crayon
- Ruban à mesurer ou règle
- Ruban adhésif
- Tournevis à lame plate
- Cisaille à métaux
- Tournevis cruciforme
- Pilote POZI
- Embout de tournevis T20® Torx®



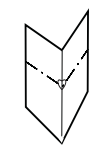
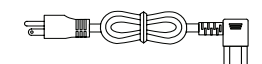
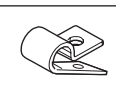





### Pièces nécessaires :

Nom de la pièce	Qté	
Conduit flexible selon la hauteur du plafond ; diamètre externe de 6 po (15,2 cm)	1	
Collier de serrage pour conduits de 6 po (15,2 cm)	2	

### Pièces fournies :

Retirer les pièces de leur emballage. Vérifier que toutes les pièces sont présentes.

Nom de la pièce	Qté	
Hotte avec ventilateur et lampes installés	1	
Cache-conduit	2	
Support de fixation du filtre à charbon	1	
Filtre au charbon	1	

Nom de la pièce	Qté	
Pincés du filtre à charbon	3	
Raccord de transition en plastique	1	
Gabarit papier	1	
Fiche à 3 broches avec connecteur	1	
Attache-câble	1	
Vis Ø 5 x 45 mm	8	
Chevilles d'ancrage Ø 8 x 40 mm	8	
Vis de 3,5 x 9,5 mm	6	
Clavettes 2,9 x 6,5 mm	2	
Rondelles plates	3	

## Exigences d'emplacement

**IMPORTANT :** Observer les dispositions de tous les codes et règlements en vigueur.

Confier l'installation de la hotte à un technicien qualifié. C'est à l'installateur qu'incombe la responsabilité de respecter les distances de séparation spécifiées sur la plaque signalétique. La plaque signalétique de l'appareil est située derrière le filtre de gauche, sur la paroi arrière de la hotte.

On doit toujours installer la hotte à distance des sources de courant d'air (fenêtres, portes et bouches de chauffage).

Respecter les dimensions indiquées pour les ouvertures à découper dans les meubles. Ces dimensions représentent les valeurs minimales des dégagements.

L'emplacement de montage de la hotte doit être capable de soutenir une charge de 100 lb (45,4 kg).

Il est recommandé d'utiliser cette hotte avec une table de cuisson d'une puissance maximum de 68 000 BTU ou moins.

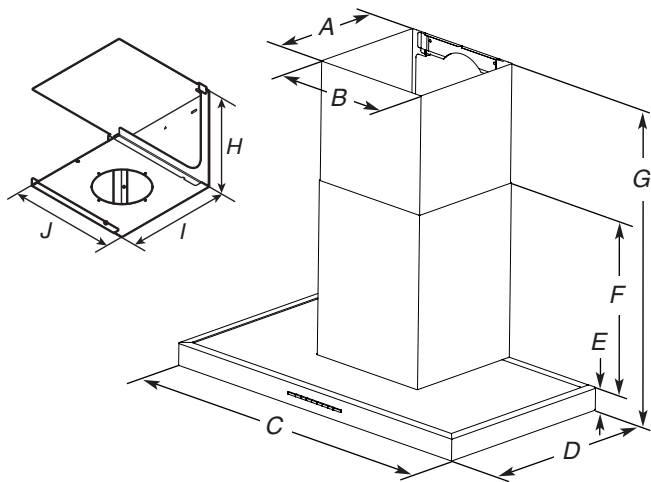
Une prise électrique avec liaison à la terre est nécessaire. Voir la section "Spécifications électriques".

On doit assurer l'étanchéité au niveau de chaque ouverture découpée dans le plafond ou un mur traversé par l'équipement de la hotte.

### Pour une installation dans une résidence mobile :

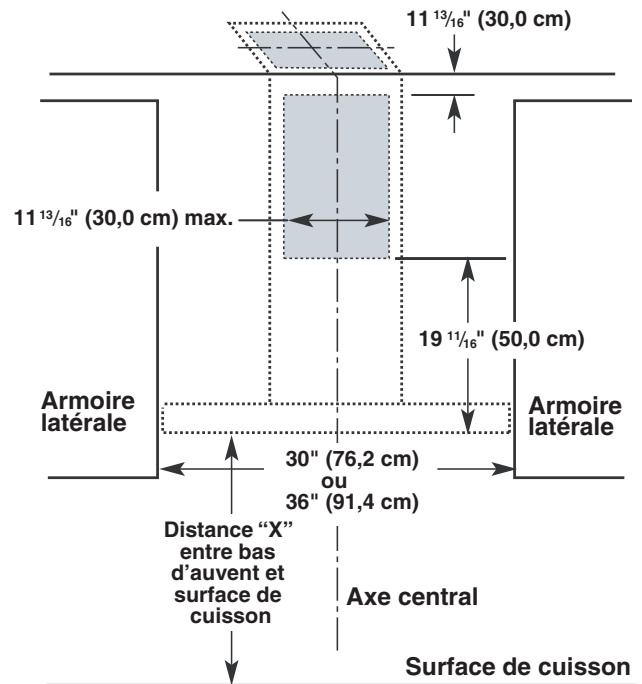
L'installation de cette hotte doit s'effectuer conformément aux descriptions de la norme Manufactured Home Construction Safety Standards, Title 24 CFR, Part 328 (anciennement Federal Standard for Mobile Home Construction and Safety, title 24, HUD, Part 280) ou lorsque cette norme n'est pas applicable, utiliser la norme Standard for Manufactured Home Installations 1982 (Manufactured Home Sites, Communities and Setups) ANSI A225.1/NFPA 501A ou respecter les dispositions des codes locaux.

## Dimensions du produit



- |   |   |
|---|---|
| A. 12 <sup>5</sup> / <sub>8</sub> po (32,1 cm)  | E. 2 <sup>3</sup> / <sub>8</sub> po (6,0 cm)        |
| B. 12 <sup>13</sup> / <sub>16</sub> po (32,5 cm)                                      | F. 24 po (61,0 cm)                                  |
| C. Pour les modèles de 30 po (76,2 cm), 29 <sup>15</sup> / <sub>16</sub> po (76,0 cm) | G. 38 <sup>5</sup> / <sub>8</sub> po (98,1 cm) min. |
| Pour les modèles de 36 po (91,4 cm), 35 <sup>15</sup> / <sub>16</sub> po (91,3 cm)    | 49 <sup>1</sup> / <sub>8</sub> po (124,8 cm) max.   |
| D. Pour les modèles de 30 po (76,2 cm), 17 <sup>15</sup> / <sub>16</sub> po (45,6 cm) | H. 11 <sup>5</sup> / <sub>8</sub> po (29,5 cm)      |
| Pour les modèles de 36 po (91,4 cm), 17 <sup>15</sup> / <sub>16</sub> po (45,6 cm)    | I. 12 po (30,5 cm)                                  |
|   | J. 12 <sup>3</sup> / <sub>8</sub> po (31,4 cm)      |

## Dimensions de l'armoire



\*Installations sans décharge à l'extérieur (recyclage)

### IMPORTANT :

Valeur minimale de la distance "X" : 24 po (61 cm) à partir de la surface de cuisson électrique.

Valeur minimale de la distance "X" : 30 po (76,2 cm) à partir de la surface de cuisson au gaz.

Valeur maximale suggérée pour la distance "X" : 36 po (91,4 cm)

**REMARQUE :** Pour une performance optimale de la fonction Auto Sense (détection automatique), la hotte de cuisinière doit être installée à 24 po (61 cm) d'une surface de cuisson électrique, et à 30 po (76,2 cm) d'une surface de cuisson au gaz.

Les cache-conduits peuvent être adaptés à différentes hauteurs de plafond. Voir le tableau suivant.

	Installation	
	Hauteur minimale sous plafond	Hauteur maximale sous plafond
Surface de cuisson électrique	8 pi 2 <sup>5</sup> / <sub>8</sub> po (2,50 m)	10 pi 4 po (3,24 m)
Surface de cuisson à gaz	8 pi 6 <sup>5</sup> / <sub>8</sub> po (2,61 m)	10 pi 4 po (3,24 m)

**\*REMARQUE :** Les cache-conduits de hotte sont réglables ; on peut les ajuster en fonction de la hauteur disponible sous plafond ou soffite, selon la distance "X" entre le bas de la hotte et la surface de cuisson.

## Spécifications électriques

Observer les dispositions de tous les codes et règlements en vigueur.

S'assurer que l'installation électrique est appropriée et conforme au National Electrical Code, à la norme ANSI/NFPA 70 (plus récente édition) ou à la norme CSA C22.1-94, au Code canadien de l'électricité, partie 1 et C22.2 No 0-M91 (plus récente édition) et à tous les codes et règlements locaux.

Si les codes le permettent et si on utilise un conducteur distinct de liaison à la terre, il est recommandé qu'un électricien qualifié vérifie la qualité de la liaison à la terre.

Pour obtenir un exemplaire des normes des codes ci-dessus, contacter :

National Fire Protection Association  
1 Batterymarch Park  
Quincy, MA 02169-7471  
CSA International  
8501 East Pleasant Valley Road  
Cleveland, OH 44131-5575

- L'appareil doit être alimenté par un circuit de 120 V CA à 60 Hz seulement et protégé par fusible de 15 A.

**Pour cordon d'alimentation avec fiche de branchement à 3 broches reliée à la terre :**

### **⚠ AVERTISSEMENT**



#### **Risque de choc électrique**

**Brancher sur une prise à 3 alvéoles reliée à la terre.**

**Ne pas enlever la broche de liaison à la terre.**

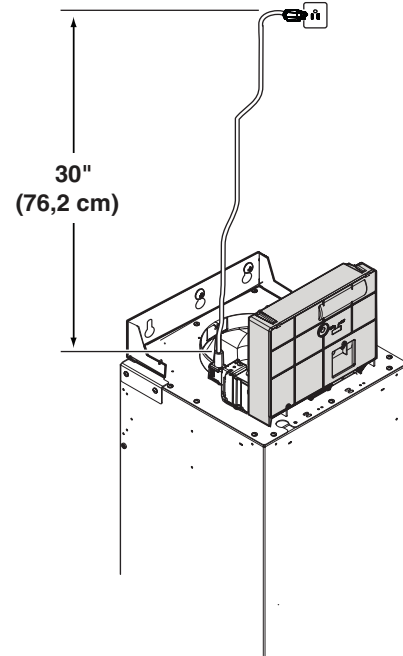
**Ne pas utiliser un adaptateur.**

**Ne pas utiliser un câble de rallonge.**

**Le non-respect de ces instructions peut causer un décès, un incendie ou un choc électrique.**

- Cette hotte est équipée d'un cordon d'alimentation électrique de liaison à la terre à trois broches.
- Pour minimiser les risques de décharge électrique, on doit brancher le cordon sur une prise de courant de configuration correspondante, à 3 alvéoles, reliée à la terre et installée conformément aux codes et règlements locaux. Si une prise de courant de configuration correspondante n'est pas disponible, le client a la responsabilité de faire installer par un électricien qualifié une prise de courant correctement reliée à la terre.

- La prise à 3 broches reliée à la terre doit se trouver au-dessus de la hotte, à une distance maximale de 30 po (76,2 cm) à partir du point duquel le cordon d'alimentation sort de la hotte. Voir l'illustration.



### **INSTRUCTIONS DE MISE À LA TERRE**

- Pour une hotte reliée à la terre et connectée par un cordon :

Cette hotte doit être reliée à la terre. Au cas où un court-circuit se produirait, la liaison à la terre réduit le risque de choc électrique, en permettant au courant de s'échapper directement vers la terre. La hotte est équipée d'un cordon comportant un conducteur de liaison à la terre avec fiche de liaison à la terre. La fiche doit être branchée dans une prise correctement installée et reliée à la terre.

**AVERTISSEMENT :** Une mise à la terre incorrecte peut entraîner un risque de choc électrique.

Consulter un électricien qualifié si les instructions de mise à la terre ne sont pas complètement comprises, ou si vous avez des doutes quant à la qualité de la liaison à la terre de la hotte.

Ne pas utiliser de câble de rallonge. Si le cordon d'alimentation électrique est trop court, faire installer une prise près de la hotte par un électricien qualifié.

**CONSERVEZ CES INSTRUCTIONS**



# INSTRUCTIONS D'INSTALLATION

## Préparation de l'emplacement

- Avant d'effectuer des coupes, s'assurer que l'espace est suffisant sur le mur ou le plafond pour le conduit d'évacuation.
  - Avant de sélectionner la hotte à installer, mesurer la hauteur libre sous plafond et la hauteur maximum disponible sous la hotte.
1. Déconnecter la source de courant électrique.
  2. Choisir une surface plane pour l'assemblage de la hotte. Placer le matériau de protection sur cette surface.

### **AVERTISSEMENT**

#### Risque du poids excessif

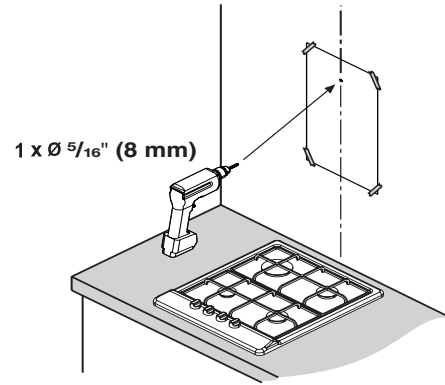
Utiliser deux ou plus de personnes pour déplacer et installer la hotte de la cuisinière.

Le non-respect de cette instruction peut causer une blessure au dos ou d'autre blessure.

3. À l'aide de deux personnes ou plus, soulever la hotte et la poser sur la surface couverte.

- Fixer le gabarit papier de manière à ce que le bord inférieur du papier qui représente la partie inférieure de la hotte se trouve à la hauteur de montage entre 24 po (61,0 cm) au minimum pour une surface de cuisson électrique, 30 po (76,2 cm) au minimum pour une surface de cuisson au gaz et 36 po (91,4 cm) au maximum pour surfaces de cuisson électriques et au gaz.

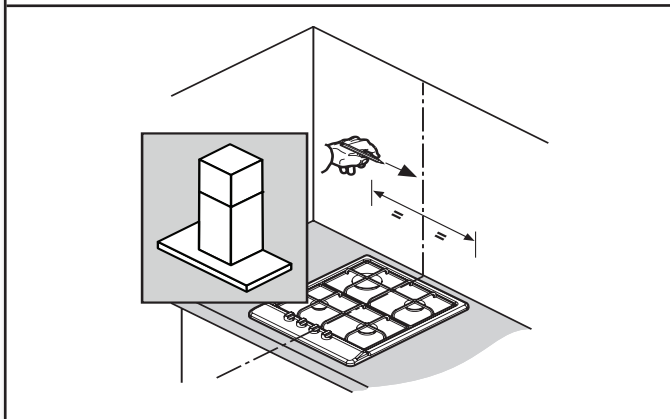
### 3. Percer des avant-trous



- Percer un avant-trou de 5/16 po (8 mm) par emplacement de trou sur le gabarit papier.
- S'assurer que le trou s'aligne avec la ligne centrale tracée.
- Retirer le gabarit papier.

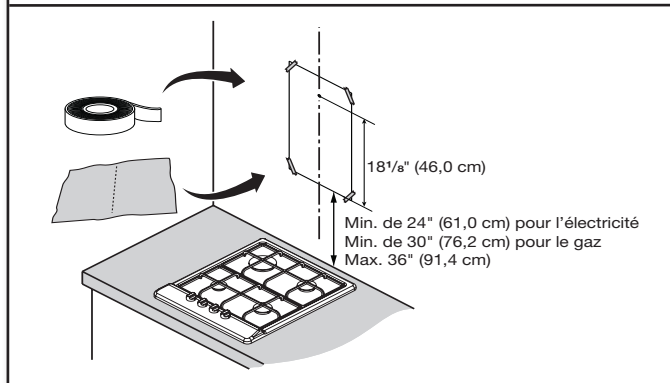
## Préparation de l'installation de la hotte

### 1. Marquer l'axe central sur le mur

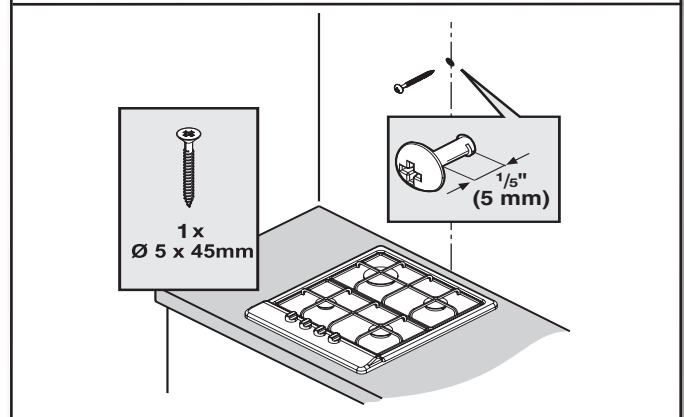


- Déterminer et marquer la position de l'axe central sur le mur où la hotte sera installée.

### 2. Fixer le gabarit au mur avec du ruban adhésif



### 4. Installer une vis de montage

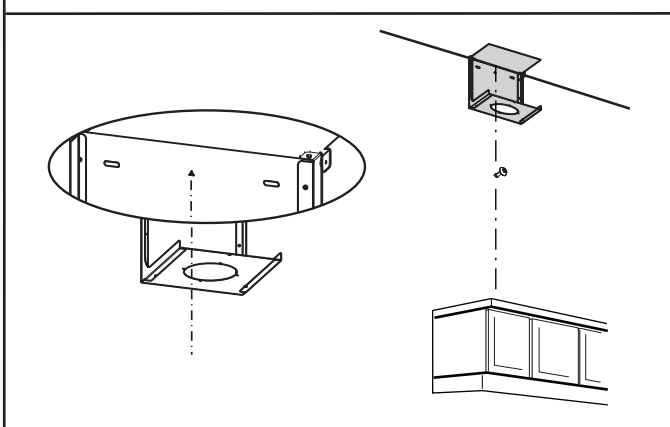


- Installer une cheville d'ancrage de 8 x 40 mm.
- Installer une vis de 5 x 45 mm.
- S'assurer que la vis présente un espace d'au moins 1/8 po (5 mm) par rapport au mur lorsqu'elle est vissée pour le montage de la hotte.



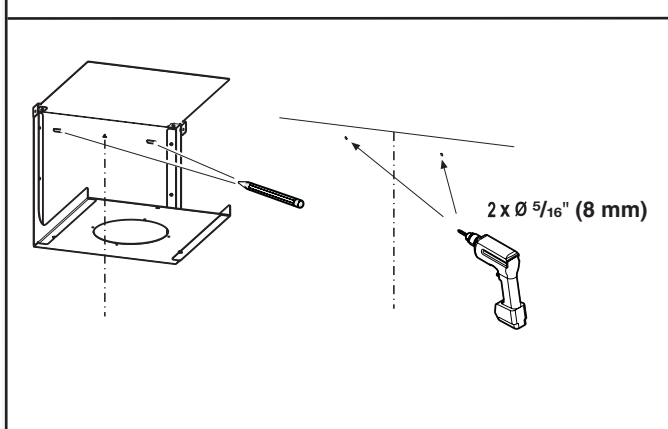
## Installer le support pour filtre à charbon

### 1. Aligner le support du filtre à charbon



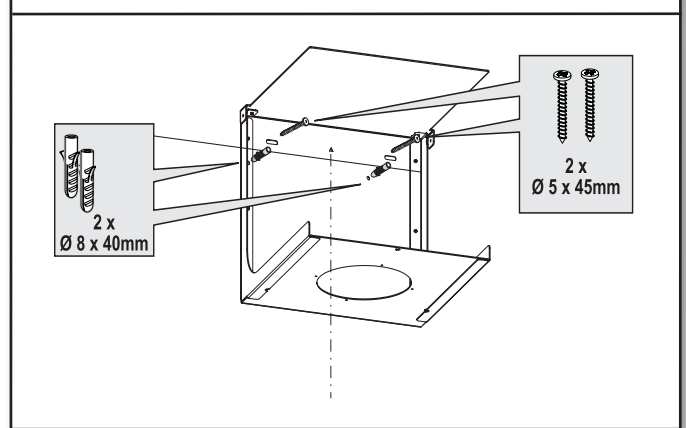
- Retirer le support du filtre à charbon de la boîte et le placer à la hauteur désirée au-dessus du bas de la hotte (utiliser le gabarit fourni pour référence).
- S'assurer que le centre du support est aligné avec la ligne centrale marquée pour confirmer que le centre de la hotte est aligné avec le centre du support du filtre.

### 2. Percer des avant-trous



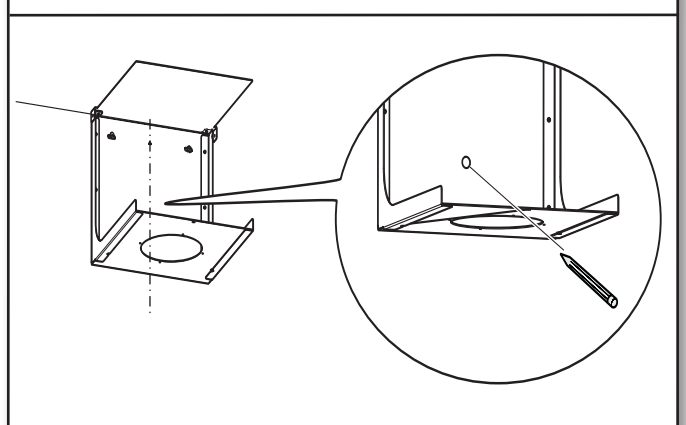
- Marquer les trous selon la ligne centrale et percer des trous de 2 - 5/16 po (8 mm).  
**Conseil :** Utiliser un niveau pour s'assurer que le support est de niveau avant de percer les trous.

### 3. Installer les chevilles d'ancrage



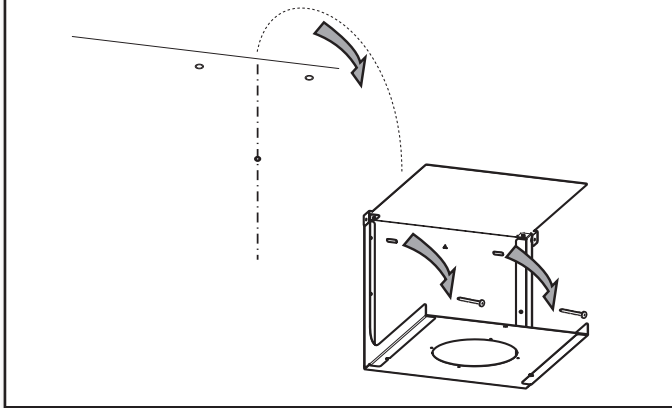
- Installer 2 chevilles d'ancrage, puis visser le support en place.
- Ne pas serrer à fond les vis puisque le support doit être retiré à l'étape suivante.

### 4. Marquer le trou central



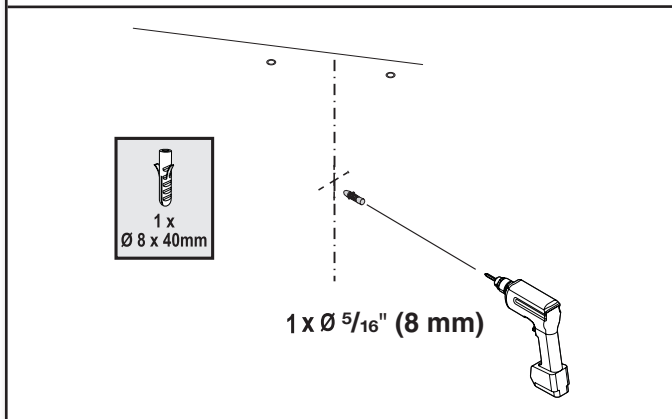
- Marquer le trou central avec un crayon.

## 5. Enlever le support



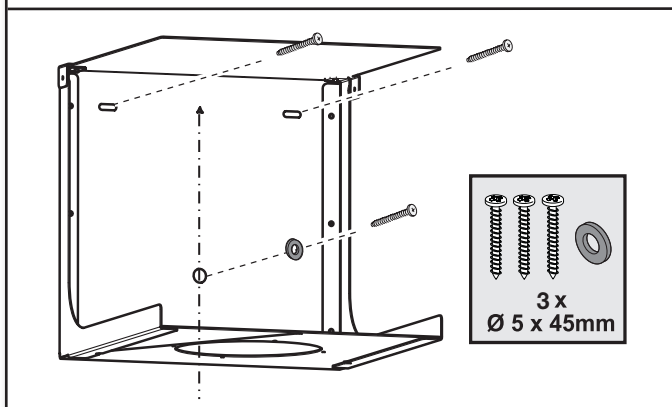
- Retirer les vis (pas les chevilles d'ancrage) afin d'enlever le support.

## 6. Percer le trou central



- Percer un trou de 5/16 po (8 mm) à l'endroit où le trou central est marqué et insérer une cheville d'ancrage de 5/16 po (8 mm).

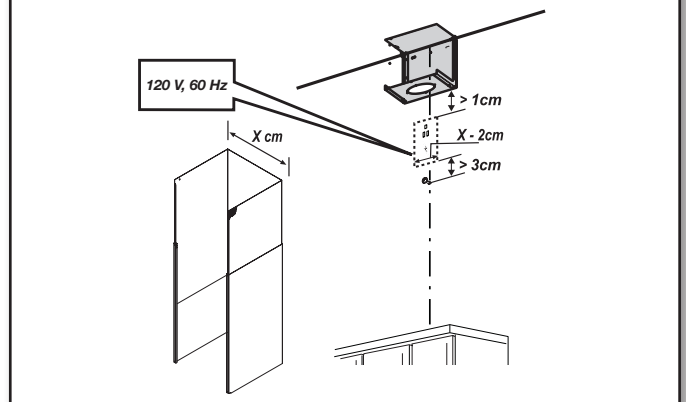
## 7. Installer le support du filtre à charbon



- Placer le support du filtre à charbon en place de sorte que tous les trous soient alignés avec les chevilles d'ancrage.
- Fixer 2 vis dans les fentes supérieures du support et une vis avec une rondelle plate dans la fente inférieure du support pour fixer le support en position.

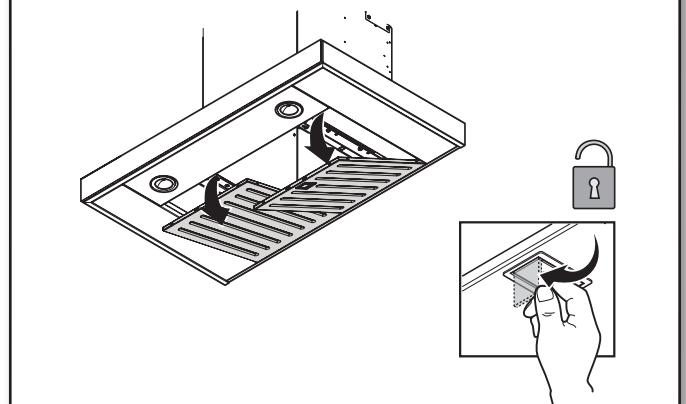
## Préparation pour l'installation

### 1. Vérifier l'emplacement de la prise électrique



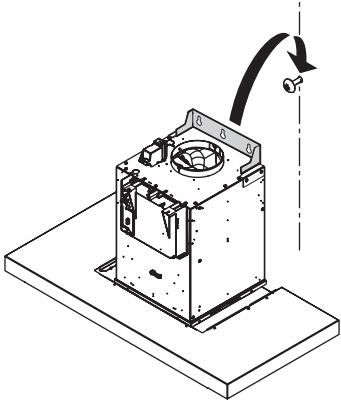
- S'assurer qu'une prise reliée à la terre de 120 V à 60 Hz est disponible avant de continuer.
- S'assurer d'un espace d'au moins 2/5 po (1 cm) entre le bas du support pour filtre à charbon et le haut de la prise reliée à la terre.
- S'assurer d'un espace d'au moins 1 9/50 po (3 cm) entre la vis d'ancrage et le bas de la prise reliée à la terre.
- La prise reliée à la terre doit être 4/5 po (2 cm) plus courte en largeur que la largeur de la cheminée.

### 2. Enlever le filtre à graisse



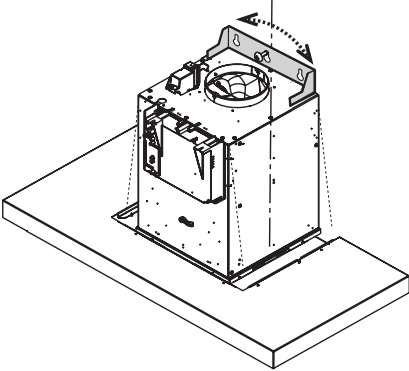
- Enlever les filtres à graisse avant de continuer.

### 3. Placer la hotte sur la vis de montage



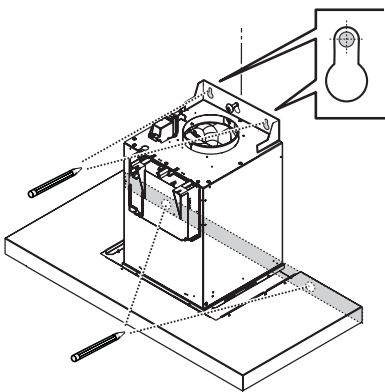
- À l'aide de deux personnes au moins, suspendre la hotte sur la vis de montage, à travers les fentes de montage à l'arrière de la hotte.

### 4. Nivelier la hotte



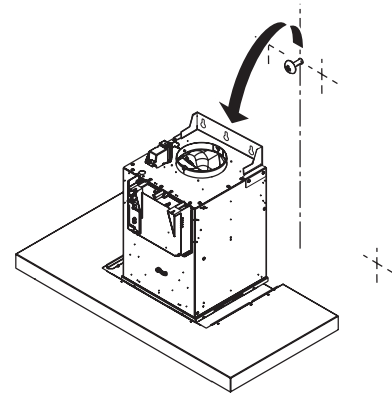
- Utiliser un niveau pour s'assurer que la hotte est bien droite avant de continuer.

### 5. Marquer le trou de montage



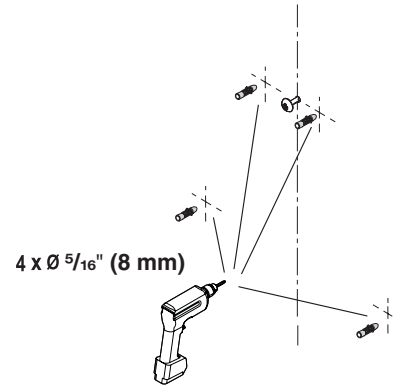
- Une fois la hotte correctement alignée, utiliser un crayon pour marquer 4 trous comme indiqué ci-haut.

### 6. Retirer la hotte



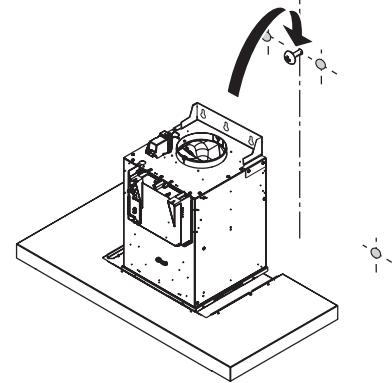
- À l'aide d'au moins 2 personnes, retirer la hotte.

### 7. Percer les trous



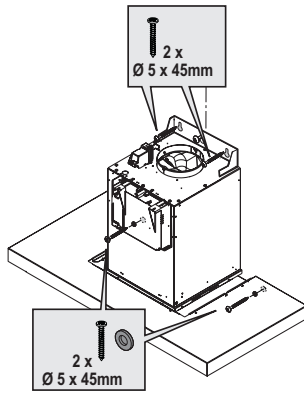
- Percer 4 trous de 5/16 po (8 mm).

### 8. Monter la hotte



- À l'aide de deux personnes au moins, suspendre la hotte sur la vis de montage, à travers les fentes de montage à l'arrière de la hotte.

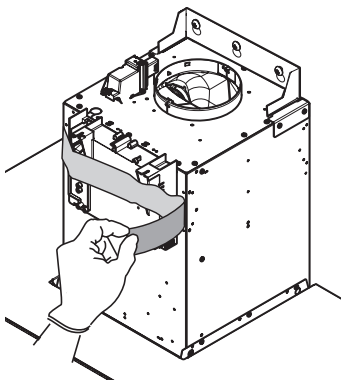
## 9. Fixer au moyen des vis



- Fixer la hotte au moyen des vis de 2-5 x 45 mm en haut et des vis de 2-4 x 45 mm avec rondelles plates au bas comme indiqué.

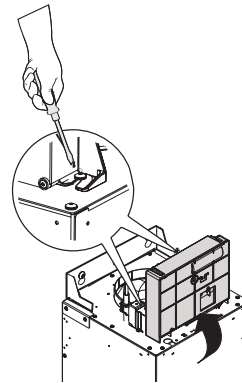
### Raccordement électrique

## 1. Enlever le ruban



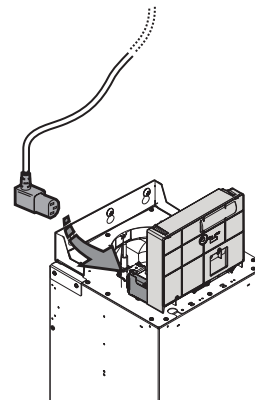
- Enlever le ruban qui retient le boîtier de raccordement électrique dans la hotte.

## 2. Monter le boîtier de raccordement électrique



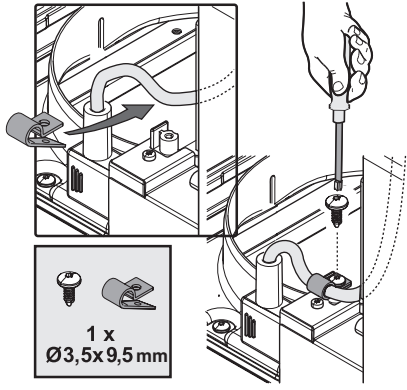
- Faire glisser le boîtier de raccordement électrique sur les vis fournies et le serrer avec un tournevis à tête plate.  
**Conseil :** Utilisez un outil manuel pour cette opération.

## 3. Connecter le cordon d'alimentation



- Insérer le connecteur dans la fente prévue sur le boîtier de raccordement électrique.

#### 4. Fixer le cordon d'alimentation



- À l'aide de l'attache-câble fourni, fixer le cordon comme indiqué.

### ⚠ AVERTISSEMENT



#### Risque de choc électrique

Brancher sur une prise à 3 alvéoles reliée à la terre.

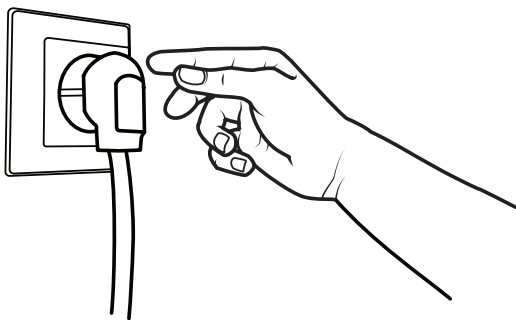
Ne pas enlever la broche de liaison à la terre.

Ne pas utiliser un adaptateur.

Ne pas utiliser un câble de rallonge.

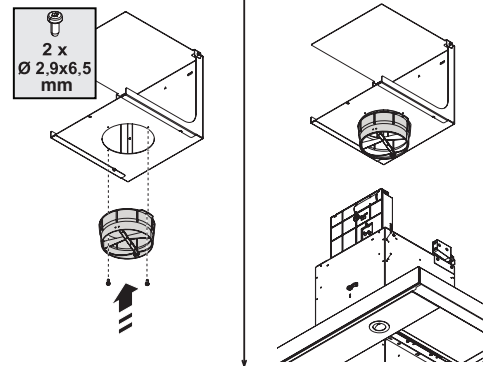
Le non-respect de ces instructions peut causer un décès, un incendie ou un choc électrique.

#### 5. Brancher l'appareil sur une prise à 3 alvéoles reliée à la terre



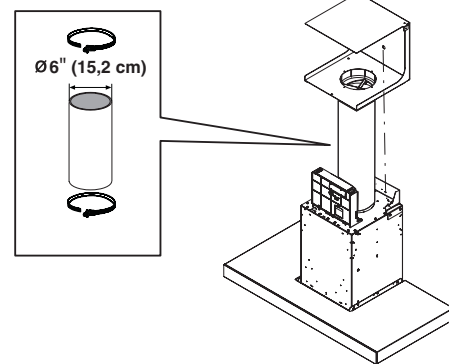
#### Terminer l'installation

#### 1. Installer le raccorde de transition en plastique



- Aligner le raccorde de transition en plastique avec le bas du support pour filtre à charbon et le fixer au moyen de 2 vis de 2,9 x 6,5 mm.

#### 2. Installer le conduit

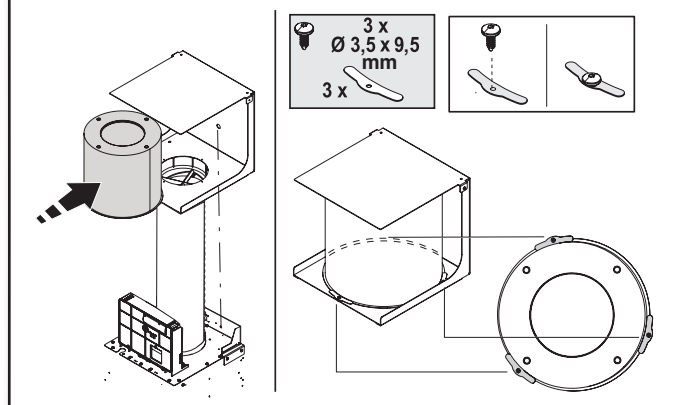


- Faire glisser le conduit en place en veillant à ce qu'il soit placé sur l'ouverture d'évacuation de la hotte et sur le raccorde de transition en plastique.

- Fixer en place avec les colliers de serrage pour conduit.

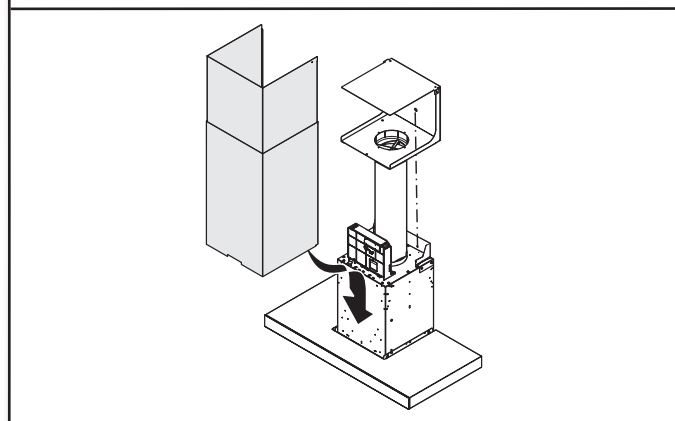
**REMARQUE :** L'utilisation d'un conduit flexible est recommandée.

### 3. Installer le filtre à charbon



- Faire glisser le filtre à charbon sur le support comme indiqué.
- Fixer le filtre à charbon à trois endroits au moyen des pinces fournies comme indiqué.

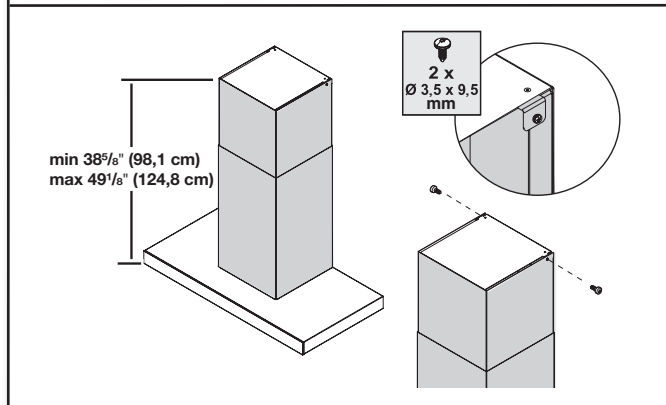
### 4. Installer le cache-conduit



- Faire glisser le cache-conduit dans la fente au-dessus de la hotte et ajuster la hauteur de la cheminée au besoin.
- Hauteur de la cheminée :  
Minimum : 38 <sup>5</sup>/<sub>8</sub> po (98,1 cm)  
maximum : 49 <sup>1</sup>/<sub>8</sub> po (124,8 cm)

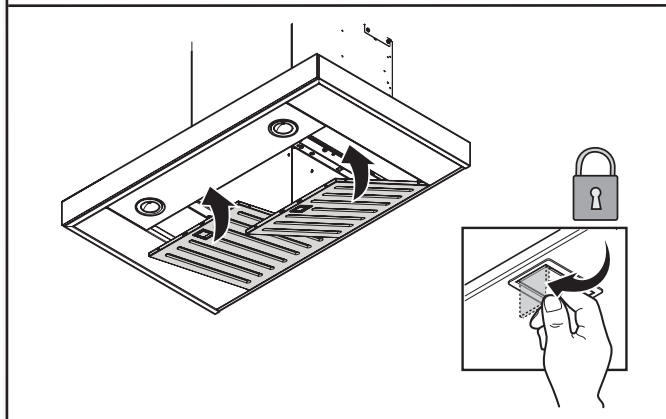
**Conseil :** S'assurer que la hotte est connectée électriquement et fonctionne avant d'assembler le cache-conduit.

### 5. Fixer la cheminée au support



- Fixer le haut de la cheminée au support du filtre au moyen des vis fournies.

### 6. Réinstaller le filtre à graisse

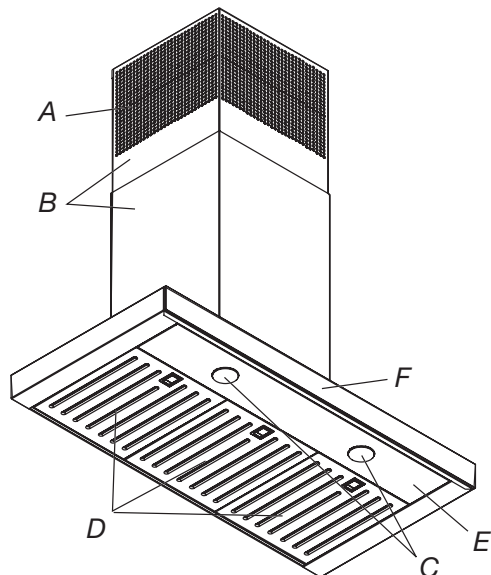


- Replacer le filtre à graisse.

# UTILISATION DE LA HOTTE

La hotte de cuisinière est conçue pour extraire fumée, vapeurs de cuisson et odeurs de la zone de la table de cuisson. Pour des résultats optimaux, mettre la hotte en marche avant d'entreprendre une cuisson, et la laisser fonctionner pendant plusieurs minutes après une cuisson afin d'évacuer toute odeur de cuisson et fumée de la cuisine.

Les commandes de la hotte sont situées à l'avant de la hotte.



- A. Ouvertures persiennes  
(Installations sans évacuation à l'extérieur [recyclage] uniquement)
- B. Cache-conduit
- C. Lampes
- D. Porte du filtre
- E. Hotte-auvent
- F. Tableau de commande

## Commandes



### Marche/arrêt du ventilateur

Appuyer sur la touche "Fan On-Off" pour mettre le ventilateur en marche ou arrêt.

### Vitesse moyenne du ventilateur

Appuyer sur la touche "Med Fan" pour faire fonctionner le ventilateur à vitesse moyenne.

### Vitesse élevée du ventilateur

Appuyer sur la touche "Hi Fan" pour faire fonctionner le ventilateur à vitesse élevée.

Appuyer deux fois sur la touche "Hi Fan" pour faire fonctionner le ventilateur à la vitesse la plus élevée.

**REMARQUE :** La vitesse la plus élevée du ventilateur dure environ 5 minutes, puis le ventilateur revient automatiquement à la vitesse élevée.

### Minuterie du ventilateur

Appuyer sur la touche "Timed Fan" pour régler la minuterie d'arrêt automatique.

#### Régler la minuterie d'arrêt automatique :

Appuyer sur l'une des touches suivantes pour régler l'arrêt automatique du ventilateur en fonction du temps d'arrêt souhaité :

1. Ventilateur silencieux : 20 minutes
2. Vitesse moyenne du ventilateur : 15 minutes
3. Vitesse élevée du ventilateur : 10 minutes

Lorsque la touche "Timed Fan" (minuterie du ventilateur) clignote, l'entretien du filtre à charbon doit être terminé. Une fois terminé, appuyer la touche "Fan On-Off" (marche/arrêt du ventilateur) et la maintenir enfoncée jusqu'à ce que le clignotement s'arrête.

### Ventilateur silencieux

Appuyer sur la touche "Quiet Fan" pour faire fonctionner le ventilateur en mode silencieux. Cette vitesse du ventilateur fournit une vitesse subtile du ventilateur.

Lorsque la touche "Quiet Fan" (ventilateur silencieux) clignote, l'entretien du filtre à graisse doit être terminé. Une fois terminé, appuyer la touche "Fan On-Off" (marche/arrêt du ventilateur) et la maintenir enfoncée jusqu'à ce que le clignotement s'arrête.

### Marche/arrêt de la lampe

Appuyer sur la touche "Light On-Off" pour allumer ou éteindre la lampe de la hotte.

## Fonctionnement automatique dans des conditions de température élevée

La hotte est équipée d'un capteur qui détecte la température de cuisson. Lorsque la température devient trop élevée, le capteur active automatiquement la vitesse moyenne du ventilateur. La hotte s'éteint une fois la température refroidie.

Lorsque les touches "Med Fan", "Hi Fan" et "Timed Fan" clignotent, le capteur automatique s'allume.

### Activation du témoin d'entretien du filtre à charbon

Ce témoin est automatiquement réglé sur arrêt. Pour l'activer, procéder comme suit :

Avec la hotte éteinte, maintenir enfoncées les touches "Med Fan" et "Hi Fan" en même temps jusqu'à ce que les deux touches clignotent.

### Désactivation du témoin d'entretien du filtre à charbon

Avec la hotte éteinte, maintenir enfoncées les touches "Med Fan" et "Hi Fan" en même temps jusqu'à ce que les deux touches clignotent. Ceci est suivi d'un clignotement seulement de la touche "Hi Fan" pour indiquer une désactivation réussie.

# ENTRETIEN DE LA HOTTE

## Nettoyage

### Surfaces externes :

Afin d'éviter d'endommager la surface externe, ne pas utiliser de tampons en laine d'acier ou de tampons à récurer savonneux. Toujours essuyer pour éviter de laisser des marques d'eau.

### Méthode de nettoyage :

- Savon détergent liquide et eau, ou nettoyant tout usage : Frotter avec un chiffon doux humide ou une éponge non abrasive, puis rincer avec de l'eau propre et essuyer.

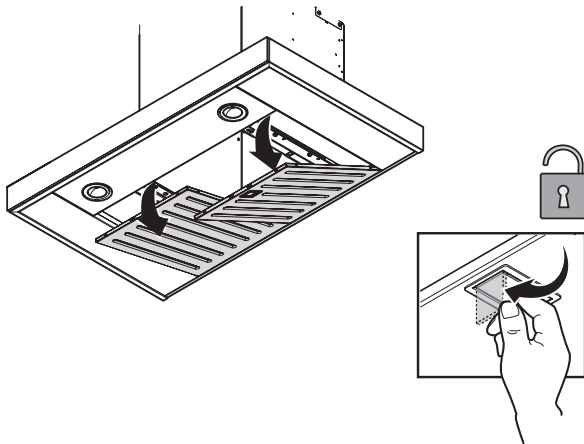
### Filtres à graisse

**IMPORTANT :** Nettoyer fréquemment la hotte et les filtres à graisse en suivant les instructions suivantes. Réinstaller les filtres à graisse avant de faire fonctionner la hotte.

Nettoyer les filtres une fois par mois (ou lorsque le système d'indication de saturation du filtre l'indique nécessaire) en utilisant des détergents non agressifs, à la main ou au lave-vaisselle qui doit être réglé à basse température et à cycle court.

Lorsque lavé dans un lave-vaisselle, le filtre à graisse peut se décolorer légèrement, mais cela n'affecte pas sa capacité de filtrage.

Pour retirer le filtre à graisse, tirer sur la poignée de dégagement munie d'un ressort.



### Filtre au charbon

**Il absorbe les odeurs désagréables causées par la cuisson.**

L'efficacité du filtre à charbon se dégrade lentement en raison d'une utilisation prolongée, en fonction du type de cuisson, et de la régularité du nettoyage du filtre à graisse.

Remplacer la cartouche au moins tous les cinq ans.

Il ne peut pas être lavé.

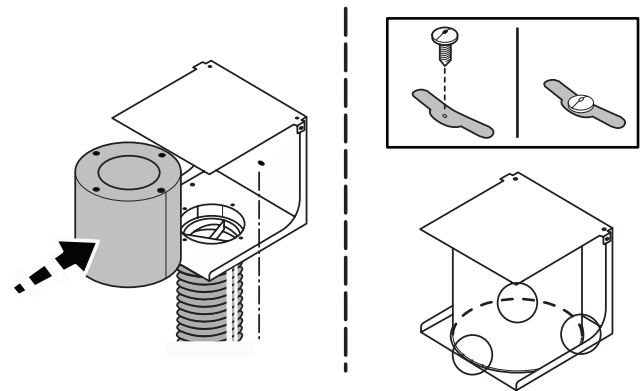
Pour une performance optimale, le filtre est plus grand que les filtres standard et doit être installé sur un support au-dessus de la hotte.

### Installation :

Placer le filtre à charbon dans le support de montage du filtre à charbon. Installer les pinces de filtre à charbon aux endroits indiqués.

**REMARQUE :** L'ouverture du filtre à charbon doit être orientée vers le bas, vers la hotte.

**REMARQUE :** Lorsqu'utilisé en mode recirculation, pour réduire les risques d'incendie et de décharge électrique, n'utiliser que le modèle d'ensemble de conversion W11197817.



### Remplacement des lumières DEL

La hotte est équipée d'un système d'éclairage basé sur la technologie DEL.

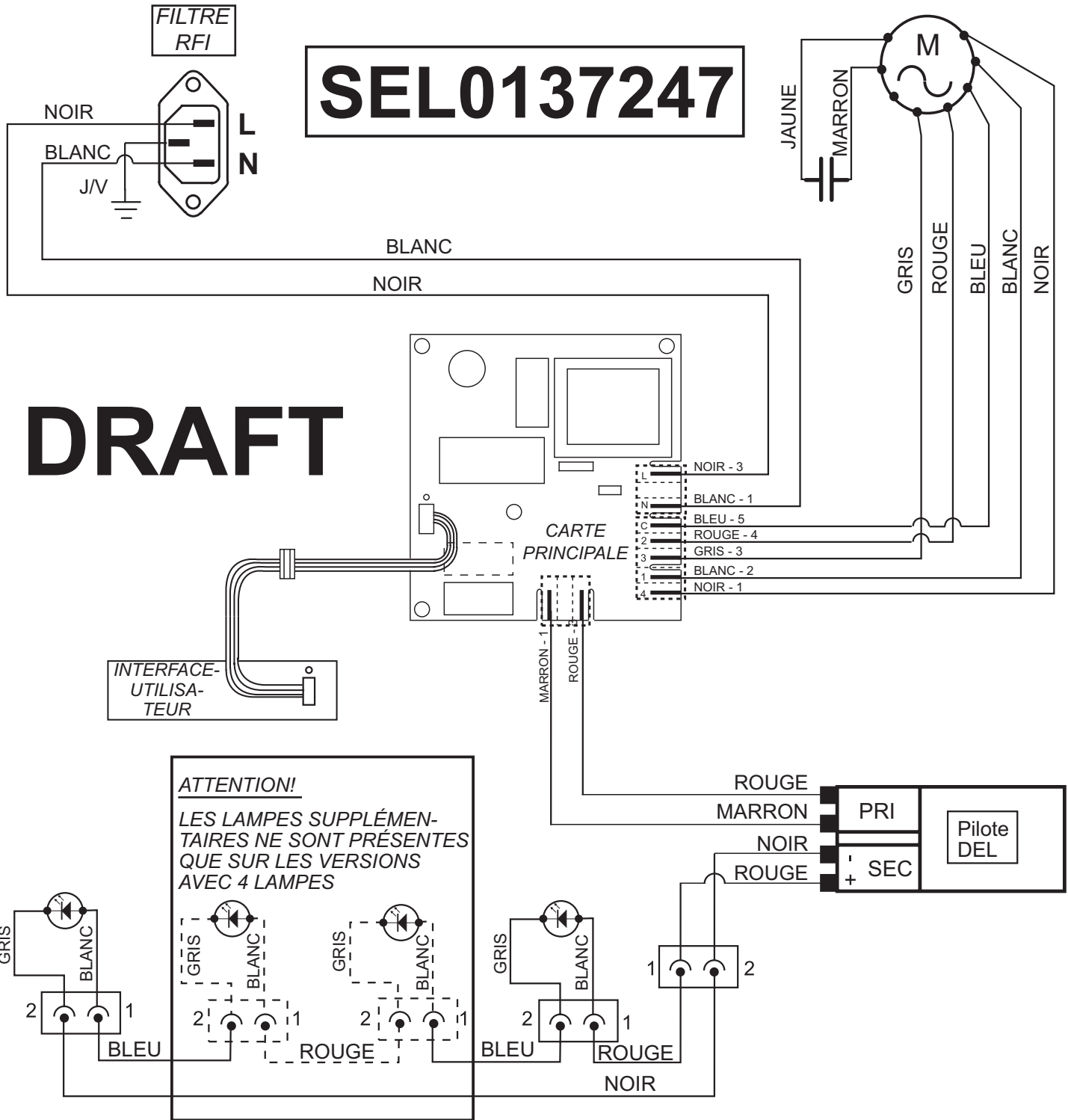
Pour acheter des lumières DEL de rechange, voir la section "Assistance ou service".

**REMARQUE :** Les lumières peuvent être remplacées uniquement par un technicien de service.



# SCHÉMA DE CÂBLAGE

## SEL0137247



# ASSISTANCE OU DÉPANNAGE

## Si vous avez besoin de service :

Consultez la page de garantie du présent manuel.

## Si vous avez besoin de pièces de rechange :

Pour commander des pièces de rechange, nous vous recommandons d'utiliser seulement des pièces spécifiées par l'usine. Les pièces spécifiées par l'usine fonctionneront bien, car elles sont fabriquées selon la même précision que celle utilisée pour fabriquer chaque nouvel appareil. Pour obtenir des pièces de remplacement spécifiées par l'usine dans votre région, composez le numéro de téléphone d'aide à la clientèle suivant ou appelez le centre de service désigné le plus proche.

## Aux É.-U.

Téléphonez sans frais au Centre pour l'eXpérience de la clientèle JennAir au : **1 800 JENNAIR (1 800 536-6247)** ou visiter notre site Web au **www.jennair.com**.

## Nos conseillers peuvent vous aider sur les points suivants :

- Programmation d'une intervention de dépannage. Les techniciens de service désignés par la gamme des appareils électroménagers JennAir® sont formés pour remplir la garantie des produits et fournir un service après garantie partout aux États-Unis.
- Caractéristiques et spécifications de notre gamme complète d'appareils ménagers.
- Trouver un revendeur local d'appareils JennAir®.
- Renseignements sur l'installation.
- Procédures d'utilisation et d'entretien.
- Vente d'accessoires et de pièces de rechange.
- Assistance spécialisée au client (langue espagnole, malentendants, malvoyants, etc.).

## Pour plus d'assistance :

Si vous avez besoin de plus d'assistance, vous pouvez écrire au service des appareils électroménagers JennAir® en soumettant toute question ou tout problème à :

JennAir Brand Home Appliances  
Customer eXperience Center  
553 Benson Road  
Benton Harbor, MI 49022-2692

Veuillez indiquer dans votre correspondance un numéro de téléphone où l'on peut vous joindre dans la journée.

## Au Canada

Appelez sans frais le centre d'eXpérience à la clientèle Whirlpool Canada au **1 800 JENNAIR (1 800 536-6247)**, ou visitez notre site Web à **www.jennair.ca**.

## Nos conseillers peuvent vous aider sur les points suivants :

- Programmation d'une intervention de dépannage. Les techniciens de service désignés par la gamme d'appareils électroménagers JennAir® sont formés pour remplir la garantie des produits et fournir un service après la garantie, partout au Canada.
- Caractéristiques et spécifications de notre gamme complète d'appareils ménagers.
- Trouver un revendeur local d'appareils JennAir®.
- Renseignements sur l'installation.
- Procédures d'utilisation et d'entretien.
- Vente d'accessoires et de pièces de rechange.

## Pour plus d'assistance :

Si vous avez besoin de plus d'assistance, vous pouvez écrire au service des appareils électroménagers JennAir® en soumettant toute question ou tout problème à :

JennAir Brand Home Appliances  
Customer eXperience Centre  
200— 6750 Century Ave.  
Mississauga (Ontario) L5N 0B7

Veuillez indiquer dans votre correspondance un numéro de téléphone où l'on peut vous joindre dans la journée.

## Accessoires

### Ensemble de filtre au charbon

Commander le numéro de pièce W11197817

---

## Remarques

**W11160327B**

©/™ ©2018 JennAir. Used under license in Canada. All rights reserved.  
Utilisé sous licence au Canada. Tous droits réservés.

05/18  
Printed in Poland  
Imprimé en Pologne

15-May-2018 14:29:52 EDT | RELEASED

**In some European factories the letter "W" of the part code mentioned herein will be automatically replaced by the number "4000" (e.g. "W12345678" becomes "400012345678")**