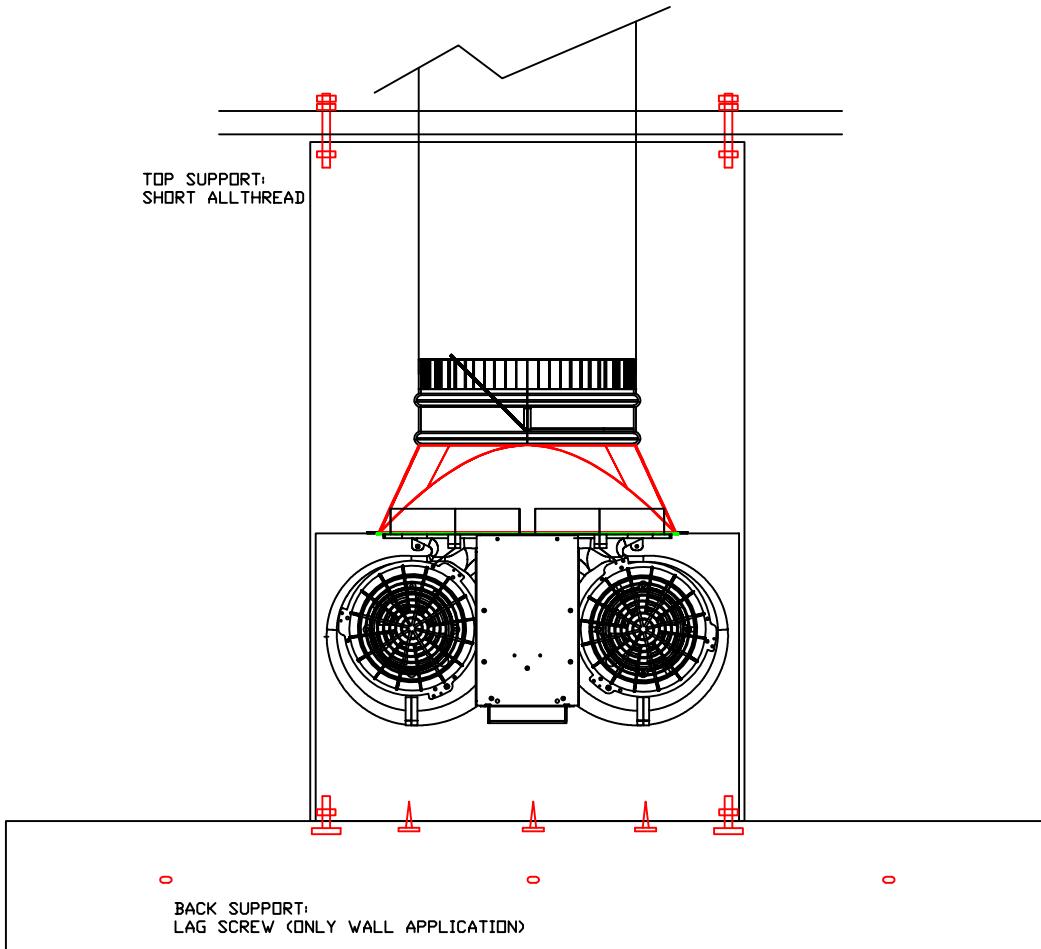
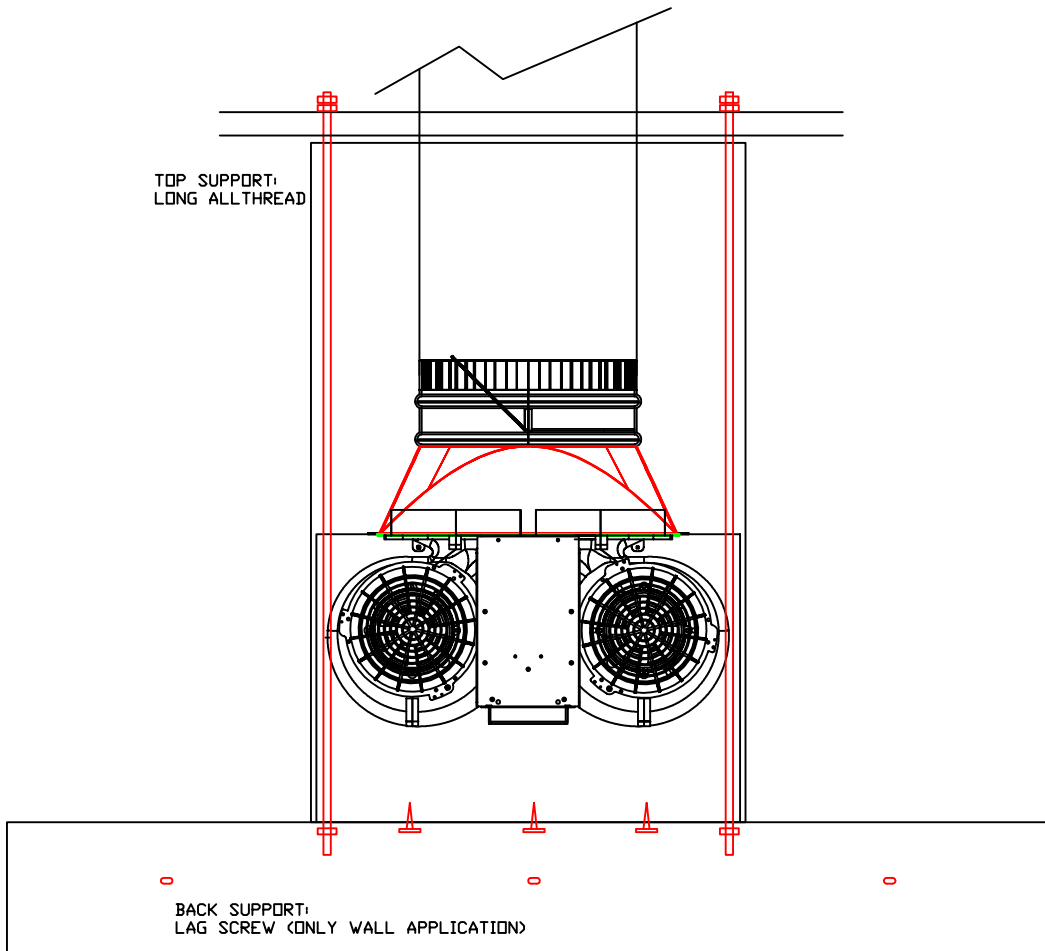


SHORT DUCT COVER OPTION

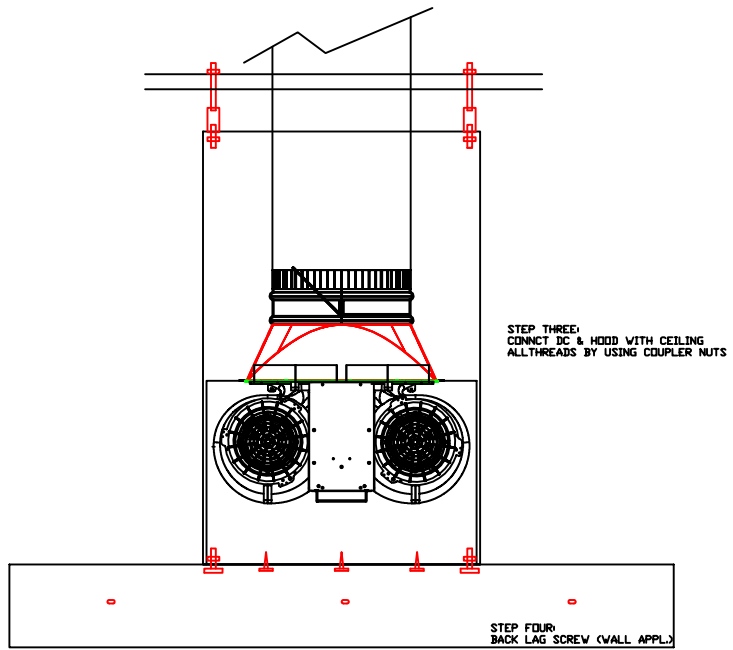
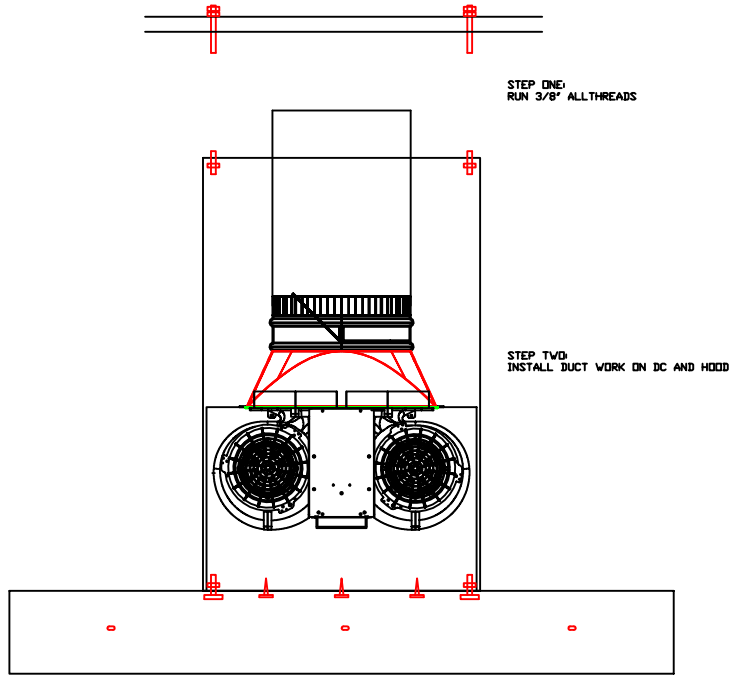


LONG DUCT COVER OPTION



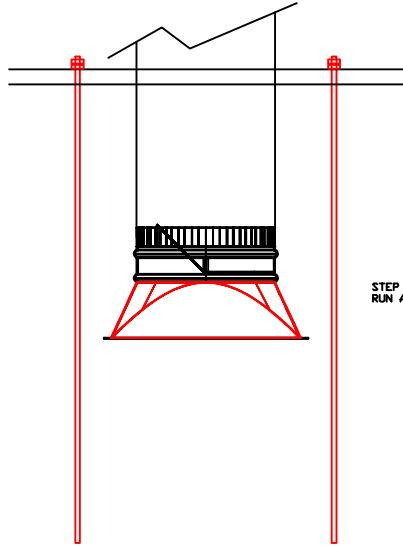


WITH CEILING ACCESS (2)

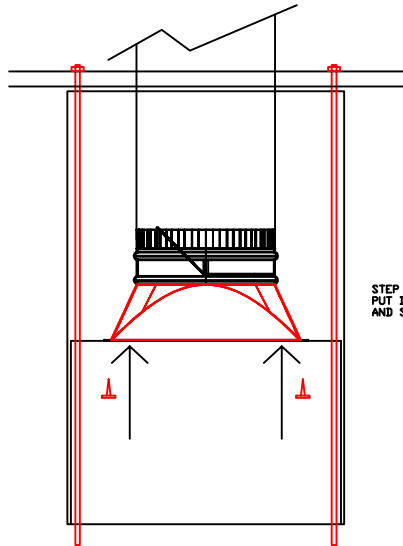


SEE PAGE 12 FROM #750351 PRIZER HOODS WALL & ISLAND  
HOODS INSTALL FOR CEILING JOISTS REQUIREMENTS

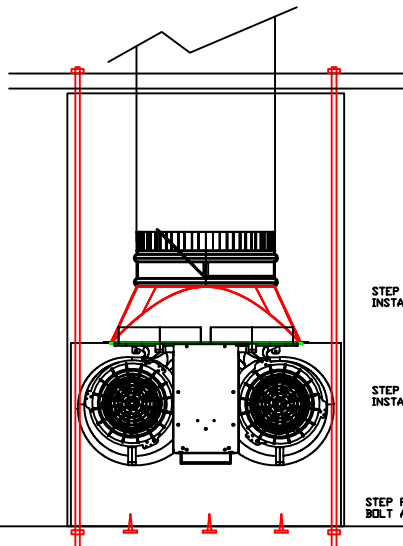
WITHOUT CEILING ACCESS



STEP ONE:  
RUN ALL-THREADS, DC WORK AND TRANSITION



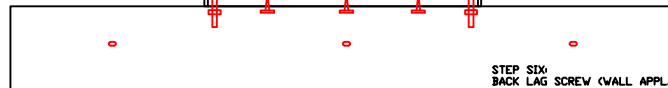
STEP TWO:  
PUT DC IN POSITION  
AND SCREW ON TRANSITION



STEP THREE:  
INSTALL BLOWER

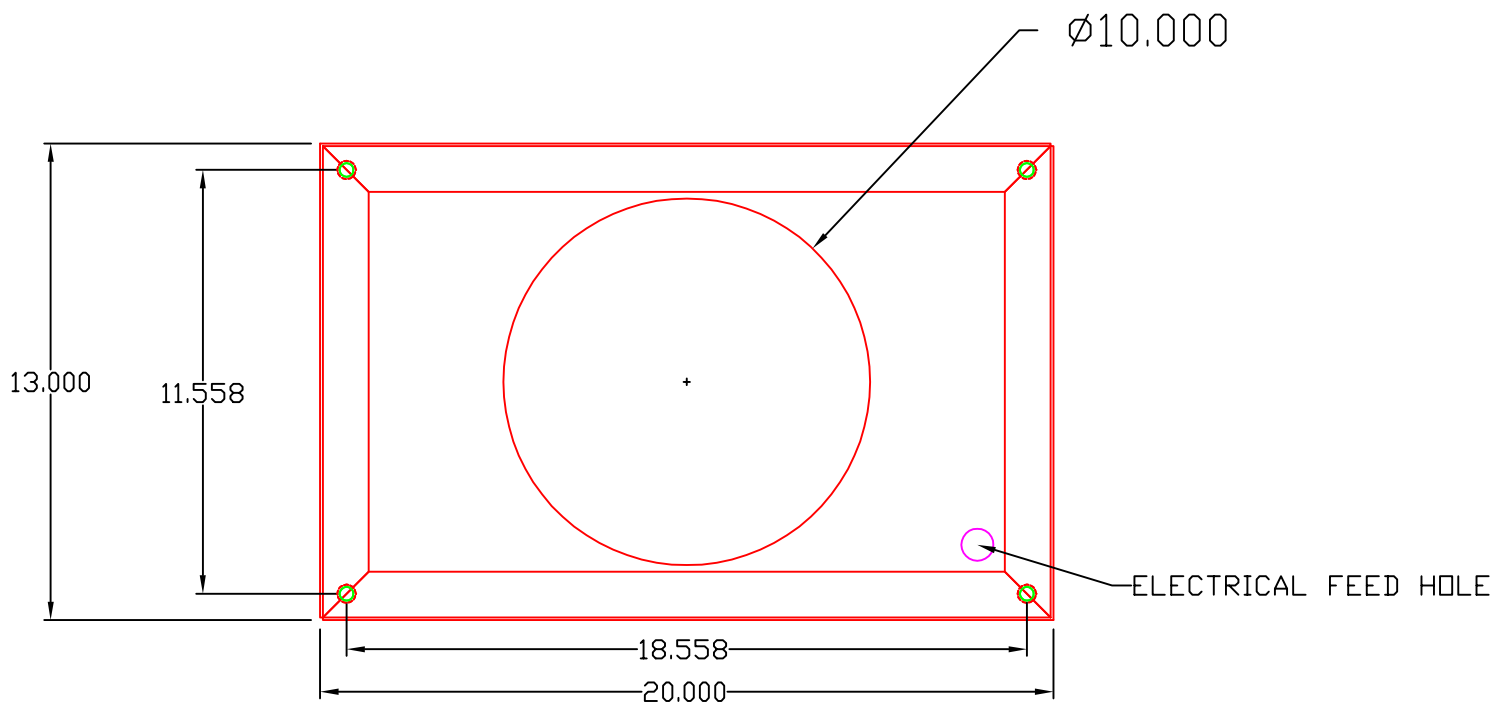
STEP FOUR:  
INSTALL HOOD

STEP FIVE:  
BOLT AND SCREW HOOD ON DC



STEP SIX:  
BACK LAG SCREW (WALL APPL.)

SEE PAGE 12 FROM #750351 PRIZER HOODS WALL & ISLAND  
HOODS INSTALL FOR CEILING JOISTS REQUIREMENTS



FRONT

MANHATTAN DUCTCOVER FOR 48-60" HOOD  
 TOP VIEW ALL THREAD HOLE LAYOUT