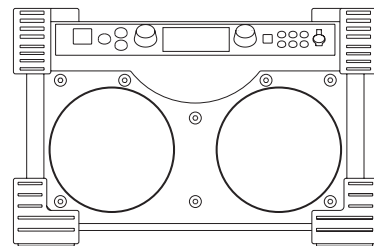


FATBOX




GB

Version 1



Important Safety Instructions

1. Read these instructions.
2. Keep these instructions.
3. Heed all warnings.
4. Follow all instructions.
5. Do not use this apparatus near water.
6. Clean only with dry cloth.
7. Do not block any ventilation openings. Install in accordance with the instructions.
8. Do not install near any heat sources such as radiators, heat registers, stoves or other apparatus (including amplifiers) that produce heat.
9. Do not defeat the safety purpose of the polarized or grounding-type plug. A polarized plug has two blades with one wider than the other. A grounding type plug has two blades and a third grounding prong. The wide blade or the third prong are provided for your safety. If the provided plug does not fit into your outlet, consult an electrician for replacement of the obsolete outlet – USA version only.
10. Protect the power cord from being walked on or pinched particularly at plug, convenience receptacles, and the point where they exit from the apparatus.
11. Only use attachments/accessories specified by the manufacturer.

12. Use only with the cart, stand, tripod, bracket, or table specified by the manufacturer, or sold with the apparatus. When a cart is used, use caution when moving the cart/apparatus combination to avoid injury from tip-over. 

13. Unplug this apparatus during lightning storms or when unused for long periods of time.

14. Refer all servicing to qualified service personnel. Servicing is required when the apparatus has been damaged in any way, such as power-supply cord or plug is damaged, liquid has been spilled or objects have fallen into the apparatus, the apparatus has been exposed to rain or moisture, does not operate normally, or has been dropped.

15. To reduce the risk of fire or electric shock, Do not expose this appliance to Rain or Moisture.

16. The Shock Hazard Marking and Associated Graphical Symbol is provided on the bottom panel of unit.

17. Apparatus shall not be exposed to dripping or splashing and no objects filled with liquids, shall be placed on the apparatus.

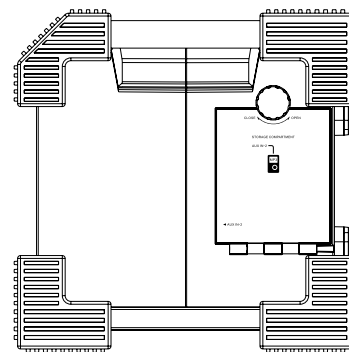
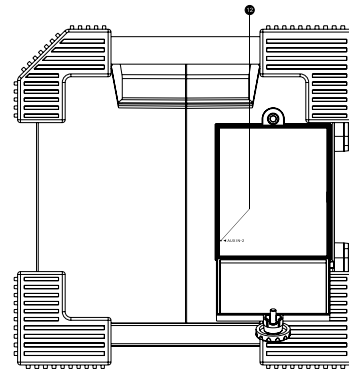
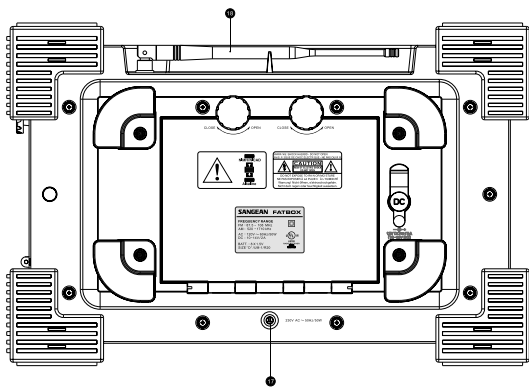
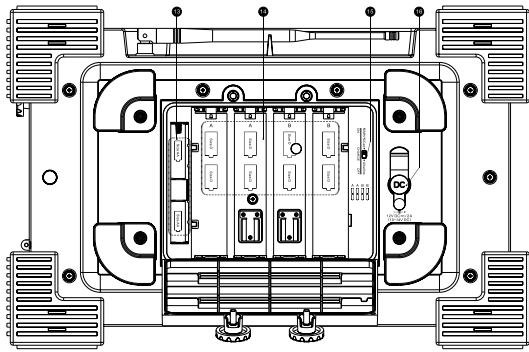
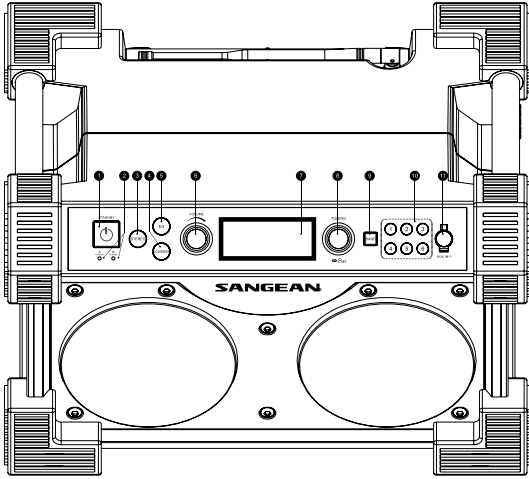
18. For outdoors use, to avoid electric shock, use battery only during a raining day or the weather is wet.

19. The power plug should be close to the radio, and easy to be approached that during the emergency, to disconnect the power from the radio, just unplug the power plug from the AC power slot.

GB

20. Notice:

The changes or modifications not expressly approved by the party responsible for compliance could void the user's authority to operate the equipment.

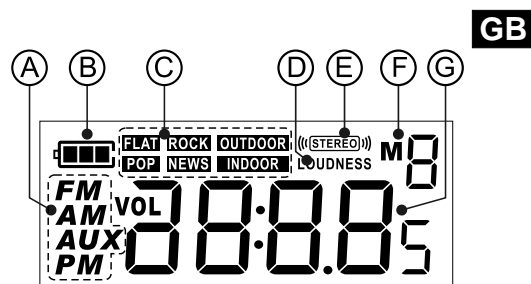


Controls

- ① Power On/Off
- ② Charge LEDs
- ③ Stereo/Mono switch
- ④ EQ (Equalizer)
- ⑤ Loudness On/Off
- ⑥ Volume Control
- ⑦ LCD display
- ⑧ Tuning Control/Time Set
- ⑨ Band Selection
- ⑩ Preset Stations
- ⑪ Aux In 1 socket
- ⑫ Aux In 2 socket/MP3 player compartment
- ⑬ Back up battery compartment
- ⑭ Main battery compartment
- ⑮ Alkaline/NiMH/NiCad Rechargeable battery switch
- ⑯ 10-14V DC In socket
- ⑰ Power cord
- ⑱ FM rubber antenna

LCD Display

- Ⓐ Band Indicator and AM/PM
- Ⓑ Battery power
- Ⓒ EQ indicator
- Ⓓ Loudness On
- Ⓔ Stereo
- Ⓕ Memory preset
- Ⓖ Time and Frequency



Power the radio

A. Battery operation

1. Installing the batteries, first turn battery cover fixtures anti-clockwise to loosen and pull down the battery cover.

Note:

Before you insert the batteries, if you use non-rechargeable batteries, make sure the NiMH/NiCad/Alkaline switch which located inside the battery compartment is switched to Alkaline position.

If you use rechargeable batteries, make sure to switch NiMH/NiCad/Alkaline switch to NiMH/NiCad position.

2. Insert 8 x D size (UM-1) battery into the compartment.

Ensure the battery is inserted in accordance with the diagram shown.

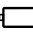
3. Insert x 2 AA size (UM-3) battery into the back up battery compartment.

Note:

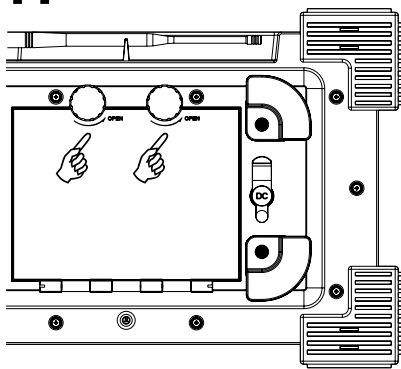
The back up battery is for time and memory station back up during power failure. It is suggested to replace the back up battery every six months to avoid battery leakage.

Run time of the radio on batteries varies strongly depending on the quality and capacity (mAh) of the batteries, temperature, volume level etc.

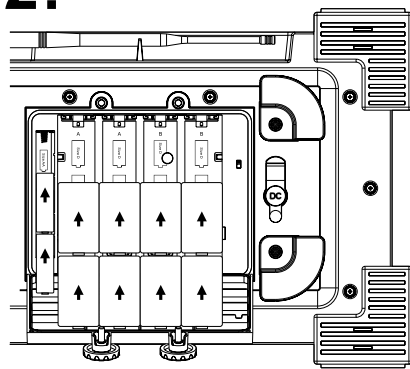
4. Close the battery cover and fasten the fixture by turning clockwise.

If the radio is not to be used for any extended period of time, it is recommended that the batteries are removed from the radio. Reduced power, distortion and a “stuttering sound” or low battery sign  is flashing on the display are all signs that the batteries need replacing or recharging (see below Charging the batteries).

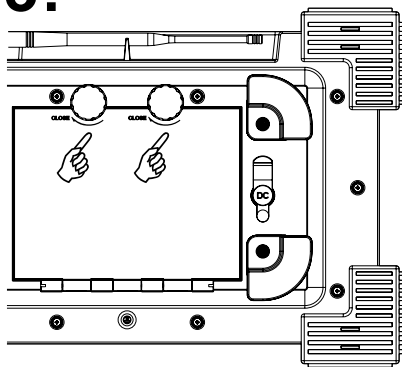
1.



2.



3.

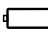


GB

B. AC operation

Before plug the AC power cord into the AC socket, be sure the voltage is correct. If you have batteries in the radio and connect the AC power cord into the AC socket, the batteries will automatically be disconnected.

Charging the batteries

Reduced power, distortion and a “ stuttering sound “ or low battery sign “  “ is flashing on the display are all the signs that the batteries need to be recharged if you use rechargeable batteries to power the radio.

Note:

The batteries can be charged only when the radio is off. Connect the AC power cord into the AC socket to charge the batteries. Be sure the battery type switch is set to NiNH/NiCad Rechargeable position.

Battery charging function of this radio only applies to the 8 D-size (UM-1) batteries and not to the AA-size (UM-3) back-up batteries.

When the batteries are being charged, the red Charge LED A and B will be on. LED A and B will turn into green when the batteries of charge group A or B are fully charged. Charge until both LED A and B are green.

Charging time can take up to approx. 10 hours depending on capacity of the rechargeable batteries.

Charge new batteries fully the first time before first use.
This can take longer depending on the capacity of the rechargeable batteries.

Do not use a mix of old and new rechargeable batteries.
Do not use a mix of full and empty rechargeable batteries.
Do not use batteries that have a different mAh capacity.
Do not use damaged or leaking batteries.

Charge the batteries in car

The batteries can also be charged in the radio using a 12V car (cigarette lighter) UL listed adaptor, voltage range 10V-14V, maximum current of 2.5 A, DC dimension 2.0 mm inner diameter with positive pole and 6.3mm outer diameter with negative pole. To charge, connect the adaptor to the car (cigarette lighter) socket and DC IN socket located on the back of the radio.

Setting the clock

The clock can be set either when the radio is on or off.
Press in the Tuning Control/Time set knob until display Hour digit flashes. Rotate Tuning Control/Time set knob to select required hour time then press the Tuning control knob again to confirm hour set. The minute digit will flash, rotate Tuning Control/Time set knob to select required minute time then press the Tuning control knob again to confirm minute set. Display will show clock time when time set is completed.

GB

Radio Operation

1. Press the Power button to turn on the radio.
2. Select the required waveband by pressing the Band button.
3. Stand up the FM rubber antenna properly to get best reception.
For AM (MW) band, rotate the radio to get best signal.
4. Rotate the Tuning Control knob will change the frequency in the following increments.
FM: 50 or 100 kHz
AM (MW): 9 or 10 kHz
5. Select required EQ and stereo/mono mode.
6. Rotate the volume control to get required sound level.
7. To turn off the radio, press the Power button.
Display will show OFF.

Memory preset stations

There are 6 memory presets for each waveband. Storing stations in preset memories, follow below steps.

1. Press the Power button to turn on the radio.
2. Tune to required station pressing Band button and rotate Tuning Control.
3. Press and hold down the required preset until the display M stop flashing. The preset number will appear in the display together with M and the station will be stored under chosen preset button.
4. Repeat this procedure for the remaining presets.
5. Stations stored in preset memories can be over written by following above procedures.

Recall stations from preset memories

1. Press the Power button to turn on the radio.
2. Select the required waveband.
3. Momentarily press the required Preset button, the preset number and M also station frequency will appear in the display.

Display backlight

Press any button except Power button will illuminate the LCD display for approx. 15 seconds.

Changing tuning step

Tuning step on some countries are different from where you purchase the radio. If you buy the radio in Europe and intend to use in Northern America or some Latin American countries, you may have to adjust tuning step so the radio may continue to serve you well.

While radio is switched off, long press the Band button for approx. 5 seconds until display flashes current FM tuning step 50 (kHz). Rotate the Tuning Control knob, you may adjust to 100 (kHz). Press Band button again to confirm the tuning step change.

Same procedures as above to change AM (MW) tuning step.

GB

24H/12H format

After tuning step change is completed, display will show 12H or 24H for current hour format. Rotate Tuning Control knob to change time format and press band button again to complete hour format change.

Aux In socket

There are 2 Aux In sockets in this radio to connect audio sources like MP 3 player or CD walkman to listen the audio program via the speakers of this radio.

Aux In-1 is located on the front panel while Aux In-2 is located inside the MP3 compartment.

Remove the rubber cover (Aux In – 1) connect the audio source with a 3.5 mm audio connector wire.

Turn MP 3 compartment cover fixture anti-clockwise to loosen and pull down to cover to find Aux In- 2 socket, connect the audio source with a 3.5 mm audio connector wire.

When radio is on, repeatedly press and release Band button to select AU 1 (Aux In – 1) or AU 2 (Aux In – 2), rotate the Volume Control to play the audio program.

Equalizer function (EQ)

The sound on your radio can be adjusted to suit your personal taste for the songs you are listening to. It has six preset equalizer modes.

Press the EQ button to cycle through the various modes.

- a. Flat – no tone modification is applied
- b. Rock
- c. Outdoor
- d. Pop
- e. News
- f. Indoor

Stereo/Mono button

The STEREO button is to switch Stereo/Mono mode. When FM signal is weak, some hiss may be audible. To reduce the hiss, press STEREO button to switch to Mono mode. Display stereo symbol ((STEREO)) will disappear.

The STEREO button is active only in FM waveband.

Loudness On/Off

Loudness button is to get enhanced bass, display will appear LOUDNESS when Loudness function is applied.

GB

Specifications

Frequency Coverage:

FM 87.50 – 108 MHz

AM (MW) 520 – 1710 kHz (10 kHz)

522 – 1629 kHz (9 kHz)

AC Power:

AC 120V/60Hz/50 W (USA)

AC 230V/50Hz/50 W (Europe)

Batteries:

- ALKALINE battery
 - 8 X D size(UM-1)for main battery
 - 2 X AA size(UM-3)for backup battery
- Rechargeable battery
 - Ni-MH or Ni-cd 8 X D size;
 - Rated Capacity 9000mAH (MFG.: GP, Model: GP900DH)

Output Power:

5 Watt 10% T.H.D. x 2 channels @ 1 kHz @ DC battery 12V

7 Watt 10% T.H.D. x 2 channels @ 1 kHz @ AC 230V or 120V