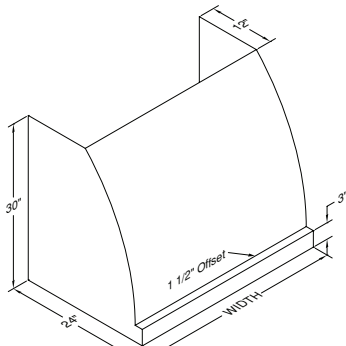
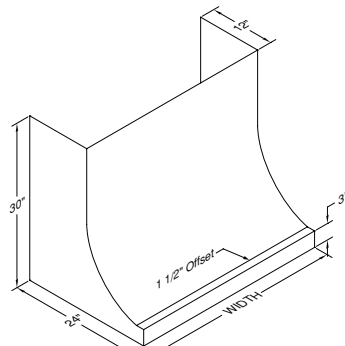


# VentA Hood® WALL MOUNT RANGE HOOD SPECIFICATIONS

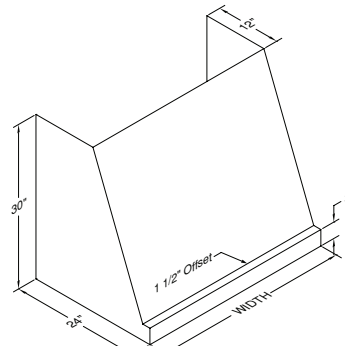
**CXH30/DAH30/PWVH30/SLH30** Equipped with LED lighting. WBAR warming light bar is available on selected models.



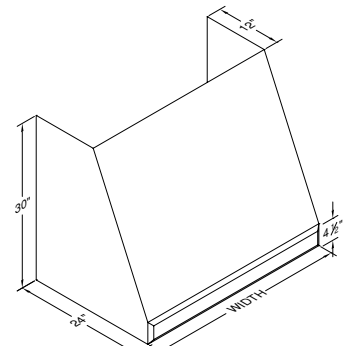
**CXH30**



**DAH30**

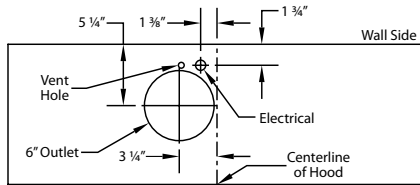


**PWVH30**

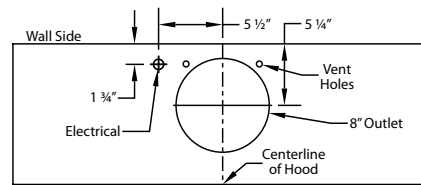


**SLH30**

## Connection Diagrams (30" - 48" Widths)

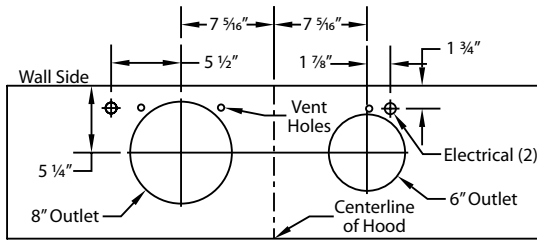


**300 CFM B100 Single Blower (Top View)**

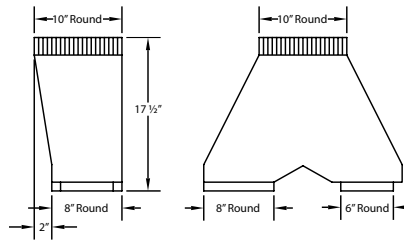


**600 CFM B200 Dual Blower (Top View)**

## Connection Diagram (42" - 60" Widths)

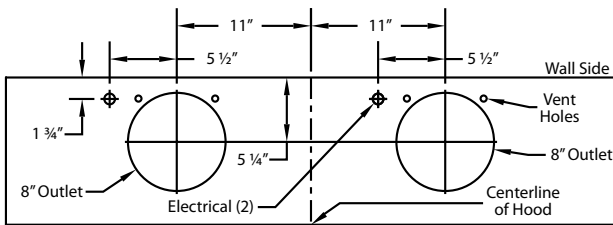


**900 CFM B200 Dual & B100 Single Blower (Top View)**

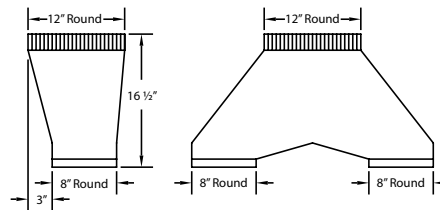


**VP562 Transition (Optional) For B300 (B200 Dual Blower & B100 Single Blower)**

## Connection Diagram (48" - 66" Widths)

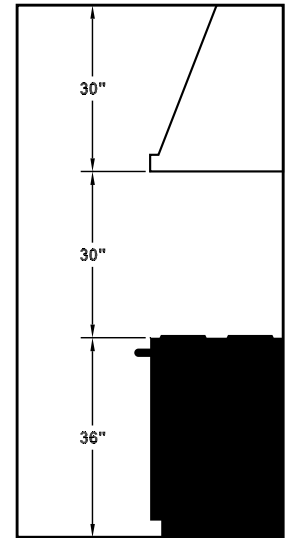


**1200 CFM Double B200 Dual Blowers (Top View)**

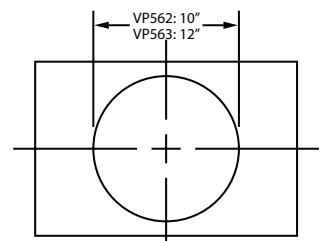


**VP563 Transition (Optional) For B400 (Double B200 Dual Blowers)**

## Recommended Mounting Height\*



\*Recommended mounting height is for optimum performance.



**VP562/VP563 transition centers outlet over top of hood**

## Electrical/Mechanical Specifications For Blower Units

Model	Volts	Amps*	Hz	RPM	CFM SP@0.0"	Equivalent CFM*	CFM SP@0.1"	CFM SP@0.2"	CFM SP@0.3"	Minimum Round Duct Size	Sones#
B100 Single	115	2.5	60	1550	300	450	273	245	225	6" (28 in. <sup>2</sup> )	5.4
B200 Dual	115	4.0	60	1550	600	900	531	480	430	8" (50 in. <sup>2</sup> )	6.5
B200 Dual & B100 Single	115	6.0	60	1550	900	1350	804	725	655	VP562: 10" (79 in. <sup>2</sup> )	6.3
Two B200 Duals	115	7.5	60	1550	1200	1800	1062	960	860	VP563: 12" (113 in. <sup>2</sup> )	6.6

\* Add 2.5 amp for each warming light. Hood is available with LED lights (2 lights: 30" - 41", 3 lights: 42" - 53", 4 lights: 54" - 66", +1 light for each 14" if over 66").  
 # Because the Magic Lung® blower uses centrifugal filtration rather than conventional baffle or mesh filters, the Magic Lung® blower can handle cooking equipment with higher cubic feet per minute (CFM) requirements and can deliver equivalent CFM much more efficiently than other filtration systems. When comparing the Magic Lung® with other blower units made by other manufacturers, use the "Equivalent CFM".  
 # Ratings in accordance with the Standard Test Code by the Energy Systems Laboratory of the Texas Engineering Experiment Station.

