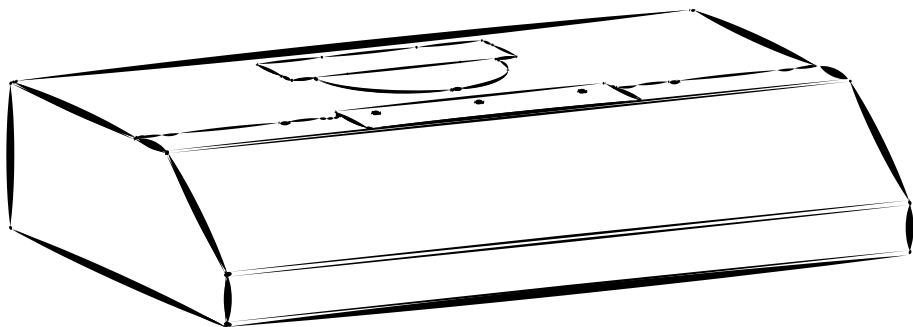


BCS3 AND NCS3 SERIES RANGE HOODS INSTALLATION INSTRUCTIONS - USE AND CARE



 INTENDED FOR DOMESTIC COOKING ONLY 

READ AND SAVE THESE INSTRUCTIONS

INSTALLER: LEAVE THIS MANUAL WITH HOMEOWNER.
HOMEOWNER: USE AND CARE INFORMATION ON PAGES 10 AND 11.

Register your BCS range hood
online at www.broan.ca

Register your NCS range hood
online at www.nutone.ca

⚠️ WARNING

TO REDUCE THE RISK OF FIRE, ELECTRIC SHOCK OR INJURY TO PERSONS, OBSERVE THE FOLLOWING:

1. Use this unit only in the manner intended by the manufacturer. If you have questions, contact the manufacturer at the address or telephone number listed in the warranty.
2. Before servicing or cleaning unit, switch power off at service panel and lock service disconnecting means to prevent power from being switched on accidentally. When the service disconnecting means cannot be locked, securely fasten a prominent warning device, such as a tag, to the service panel.
3. Installation work and electrical wiring must be done by qualified personnel in accordance with all applicable codes and standards, including fire-rated construction codes and standards.
4. Sufficient air is needed for proper combustion and exhausting of gases through the flue (chimney) of fuel burning equipment to prevent backdrafting. Follow the heating equipment manufacturer's guidelines and safety standards such as those published by the National Fire Protection Association (NFPA) and the American Society for Heating, Refrigeration and Air Conditioning Engineers (ASHRAE) and the local code authorities.
5. When cutting or drilling into wall or ceiling, do not damage electrical wiring and other hidden utilities.
6. Ducted fans must always be vented to the outdoors.
7. Do not use this unit with any additional solid-state speed control device.
8. To reduce the risk of fire, use only metal ductwork.
9. This unit must be grounded.
10. As an alternative, this product may be installed with the UL-approved cord kit designated for the product, following instructions packed with the cord kit.
11. When applicable local regulations comprise more restrictive installation and/or certification requirements, the aforementioned requirements prevail on those of this document and the installer agrees to conform to these at his own expenses.

TO REDUCE THE RISK OF A RANGE TOP GREASE FIRE:

- a) Never leave surface units unattended at high settings. Boilovers cause smoking and greasy spillovers that may ignite. Heat oils slowly on low or medium settings.
- b) Always turn hood ON when cooking at high heat or when flambeing food (i.e.: Crêpes Suzette, Cherries Jubilee, Peppercorn Beef Flambé).
- c) Clean ventilating fan frequently. Grease should not be allowed to accumulate on fan, filters or in exhaust ducts.
- d) Use proper pan size. Always use cookware appropriate for the size of the surface element.

⚠️ WARNING

TO REDUCE THE RISK OF INJURY TO PERSONS IN THE EVENT OF A RANGE TOP GREASE FIRE, OBSERVE THE FOLLOWING*:

1. SMOTHER FLAMES with a close-fitting lid, cookie sheet or metal tray, then turn off the burner. BE CAREFUL TO PREVENT BURNS. IF THE FLAMES DO NOT GO OUT IMMEDIATELY, EVACUATE AND CALL THE FIRE DEPARTMENT.
2. NEVER PICK UP A FLAMING PAN — You may be burned.
3. DO NOT USE WATER, including wet dishcloths or towels — This could cause a violent steam explosion.
4. Use an extinguisher ONLY if:
 - A. You own a Class ABC extinguisher and you know how to operate it.
 - B. The fire is small and contained in the area where it started.
 - C. The fire department has been called.
 - D. You can fight the fire with your back to an exit.

* Based on "Kitchen Fire Safety Tips" published by NFPA.

CAUTION

1. For indoor use only.
2. For general ventilating use only. Do not use to exhaust hazardous or explosive materials and vapors.
3. To avoid motor bearing damage and noisy and/or unbalanced fan blade, keep drywall spray, construction dust, etc. off range hood.
4. Your hood motor has a thermal overload which will automatically shut off the motor if it becomes overheated. The motor will restart when it cools down. If the motor continues to shut off and restart, have the hood serviced.
5. For best capture of cooking fumes, the bottom of the hood MUST NOT BE LESS than 18" and at a maximum of 24" above the cooking surface.
6. Always follows the cooking equipment manufacturer's requirements regarding the ventilation needs.
7. To reduce the risk of fire and to properly exhaust air, be sure to duct air outside — Do not exhaust air into spaces within walls or ceiling or into attics, crawl space or garage.
8. Please read specification label on product for further information and requirements.

ABOUT THIS MANUAL

Because of the large amount of models covered by this publication, the illustrations are typical ones. Some details of your unit may be slightly different from the ones shown.

Please take note this manual uses the following symbols to emphasize particular information:

WARNING

Identifies an instruction which, if not followed, might cause serious personal injuries including possibility of death.

CAUTION

Denotes an instruction which, if not followed, may severely damage the unit and/or its components.

NOTE: Indicates supplementary information needed to fully complete an instruction.

TOOLS NEEDED TO INSTALL THE RANGE HOOD

- Phillips screwdriver no. 2
- Flat blade screwdriver (to open knockout holes)
- Jig saw (to cut holes for ducting and electrical access hole)
- Sheet metal shears (ducted installation only, for duct adjustment)
- Pair of pliers (ducted installation only, for duct adjustment)
- Scissors (to cut metal foil duct tape)
- Pen
- Wire stripper

WARRANTY

One Year Limited Warranty

Broan-NuTone warrants to the original consumer purchaser of its products that such products will be free from defects in materials or workmanship for a period of one (1) year from the date of original purchase. THERE ARE NO OTHER WARRANTIES, EXPRESS OR IMPLIED, INCLUDING, BUT NOT LIMITED TO, IMPLIED WARRANTIES OF MERCHANTABILITY OR FITNESS FOR A PARTICULAR PURPOSE.

During this one year period, Broan-NuTone will, at its option, repair or replace, without charge, any product or part which is found to be defective under normal use and service. THIS WARRANTY DOES NOT EXTEND TO FLUORESCENT LAMP STARTERS, TUBES, HALOGEN AND INCANDESCENT BULBS, FUSES, FILTERS, DUCTS, ROOF CAPS, WALL CAPS AND OTHER ACCESSORIES FOR DUCTING. This warranty does not cover (a) normal maintenance and service or (b) any products or parts which have been subject to misuse, negligence, accident, improper maintenance or repair (other than by Broan-NuTone), faulty installation or installation contrary to recommended installation instructions.

The duration of any implied warranty is limited to the one year period as specified for the express warranty. Some provinces do not allow limitation on how long an implied warranty lasts, so the above limitation may not apply to you.

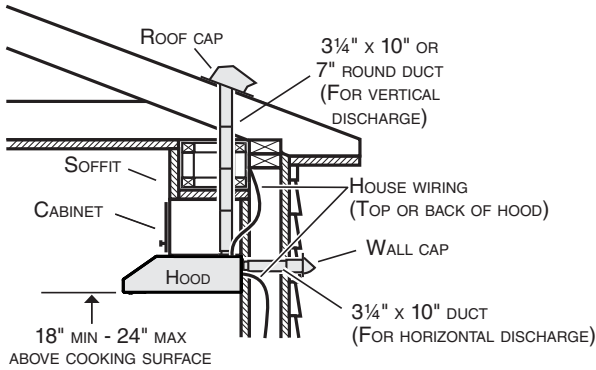
BROAN-NUTONE'S OBLIGATION TO REPAIR OR REPLACE, AT BROAN-NUTONE'S OPTION, SHALL BE THE PURCHASER'S SOLE AND EXCLUSIVE REMEDY UNDER THIS WARRANTY. BROAN-NUTONE SHALL NOT BE LIABLE FOR INCIDENTAL, CONSEQUENTIAL OR SPECIAL DAMAGES ARISING OUT OF OR IN CONNECTION WITH PRODUCT USE OR PERFORMANCE. Some provinces do not allow the exclusion or limitation of incidental or consequential damages, so the above limitation or exclusion may not apply to you. This warranty gives you specific legal rights, and you may also have other rights, which vary from one province to another. This warranty supersedes all prior warranties.

To qualify for warranty service, you must (a) notify Broan-NuTone at the address or telephone number below, (b) give the model number and part identification and (c) describe the nature of any defect in the product or part. At the time of requesting warranty service, you must present evidence of the original purchase date.

Broan-NuTone Canada ULC, 1140 Tristar Drive, Mississauga, Ontario, Canada L5T 1H9

www.broan.ca www.nutone.ca 1-877-896-1119

1. INSTALL DUCTWORK (DUCTED INSTALLATIONS ONLY)



NOTE: Distances over 24" are at the installer and user discretion.

- ① Determine whether hood will discharge vertically (3 1/4" x 10" or 7" round), or horizontally (3 1/4" x 10" only).
- ② Decide where the ductwork will run between the hood and the outside.
- ③ Choose a straight, short duct run to allow the hood to perform most efficiently. Long duct runs, elbows and transitions will reduce the performance of the hood. Use as few of them as possible. Larger ductwork may be required for best performance with longer duct runs.
- ④ Install wall cap or roof cap. Connect metal ductwork to cap and work back towards the hood location. Use 2" metal foil duct tape to seal the joints between ductwork sections.

2. PREPARE THE INSTALLATION

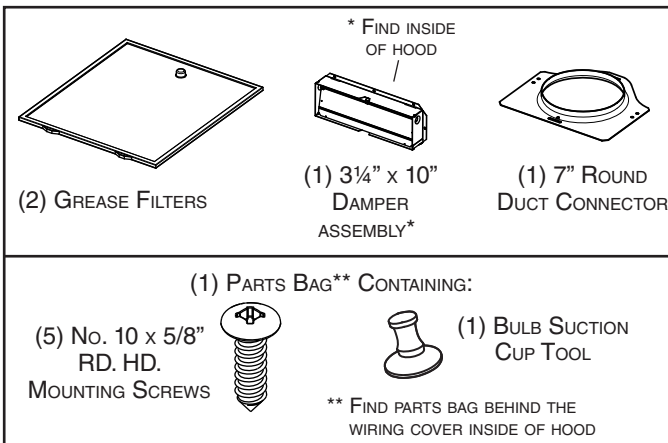
WARNING

When performing installation, servicing or cleaning the unit, it is recommended to wear safety glasses and gloves.

NOTE: Before proceeding to the installation, check the contents of the box. If items are missing or damaged, contact the manufacturer.

Make sure that the following items are included:

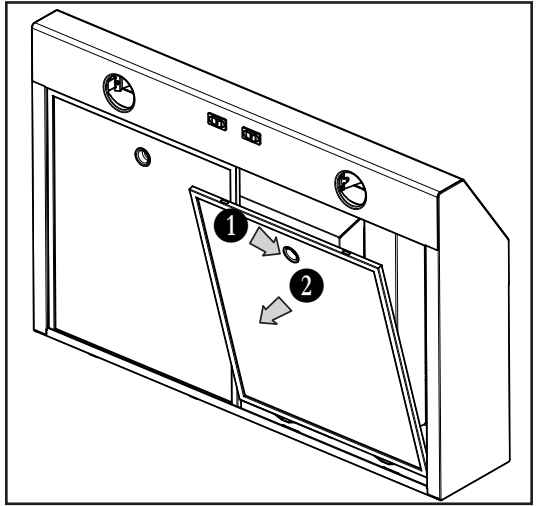
- Installation manual



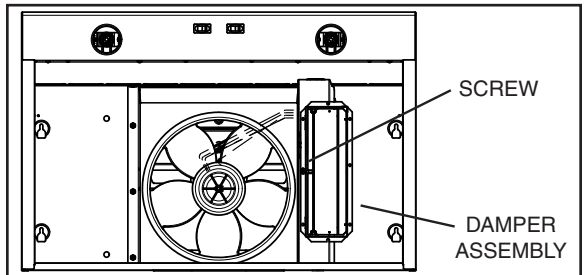
2. PREPARE THE INSTALLATION (CONT'D)

If present, remove all protective polyfilm from the hood and/or parts.

Using the finger cup, remove the **Grease Filters** from the hood by pushing down **1** and tilting filters out **2**.

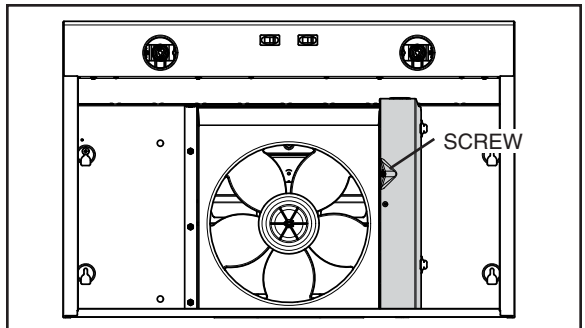


Remove the **Screw** holding **Damper Assembly** to hood. Remove damper assembly from inside the hood.



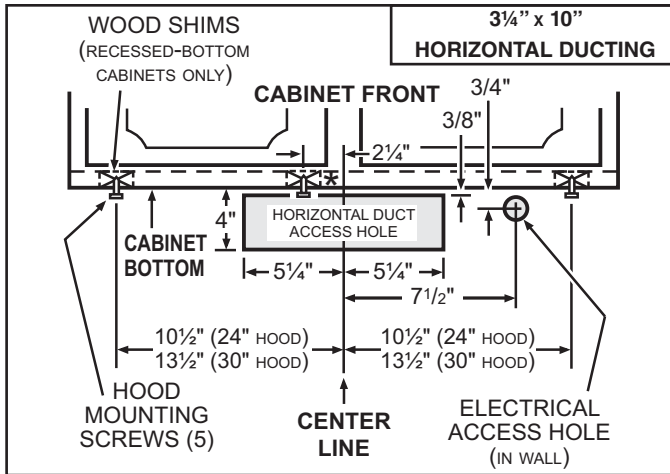
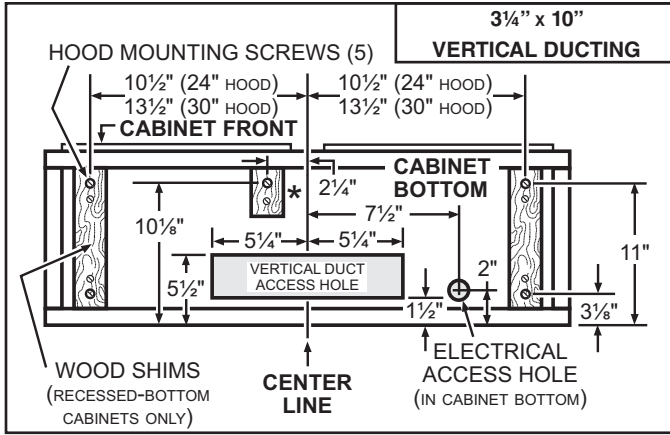
Remove the wiring cover (shaded part in illustration at right) retaining screw. Set aside the **Wiring Cover** and its screw.

Remove parts bag included with the hood (taped behind the wiring cover).



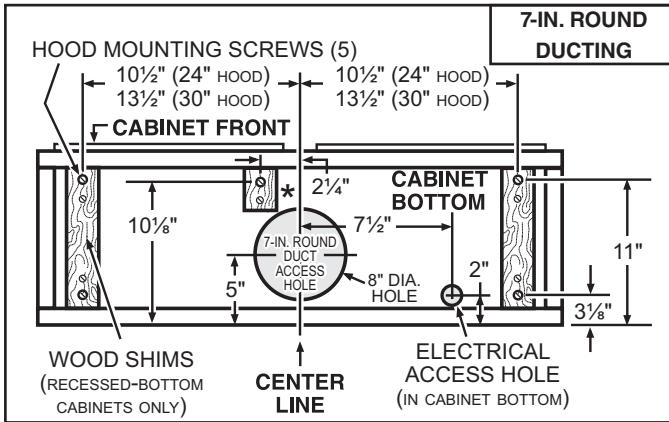
3. PREPARE THE HOOD LOCATION

Use the proper diagram below and or next page for placement of ductwork and electrical cutout in cabinet or wall. For a non-ducted installation, DO NOT cut a duct access hole.



* Note the extra wood shim and mounting screw near the cabinet front.

3. PREPARE THE HOOD LOCATION (CONT'D)

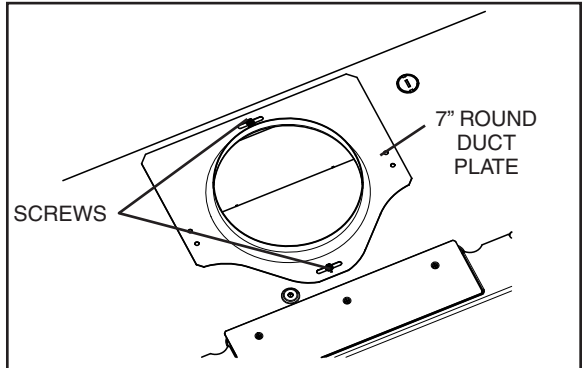


* Note the extra wood shim and mounting screw near the cabinet front.

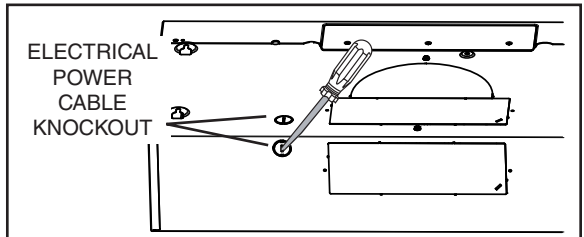
Install 4 **Hood Mounting Screws** into shims/cabinet according to proper diagram in previous page and above. Do not tighten completely. Do not install middle screw until Step 5.

4. PREPARE THE HOOD

Remove **7" Round Duct Plate** from top/back of hood.



Remove **Electrical Power Cable Knockout** from top or back of hood.

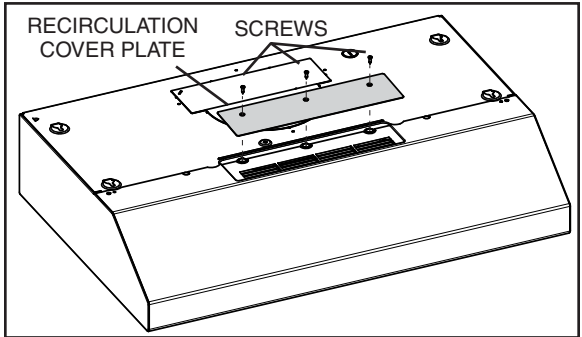


4. PREPARE THE HOOD (CONT'D)

NON-DUCTED INSTALLATION ONLY:

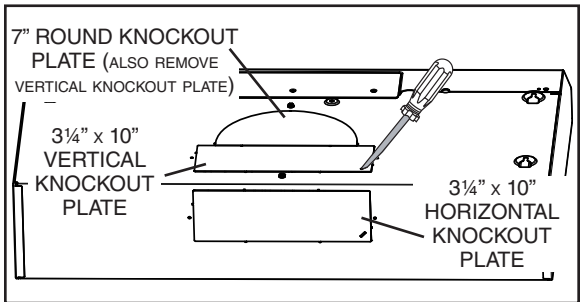
Remove 3 screws retaining the recirculation cover plate (shaded part in illustration at right) to the hood. Discard this plate with its screws.

Purchase two non-ducted filters (model HPF24 for 24" width hood or HPF30 for 30" width hood) from your local distributor or retailer. Attach the non-ducted filters following instructions packed with the non-ducted filters, then go step 5 INSTALL THE HOOD on next page.



DUCTED INSTALLATION ONLY:

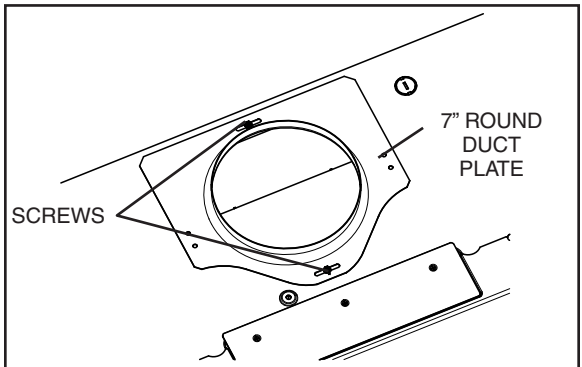
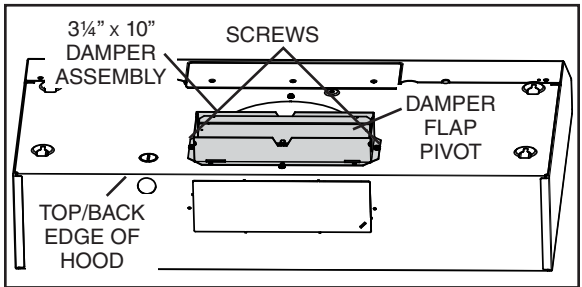
Remove 3/4" x 10" vertical, 3/4" x 10" horizontal, or 7-inch round **knockout plate** as appropriate for your ducting method.



Attach **3/4" x 10" Damper Assembly** (if using 3/4" x 10" duct; shaded part in illustration at right) or **7" Round Duct Plate** (if using 7-inch round duct) over the knockout opening.

NOTES: To accommodate off-center ductwork, the 7" round duct plate can be installed up to 1/2" on either side of the hood center.

Install the 3/4" x 10" damper assembly with the **Damper Flap Pivot** nearest the **Top/Back Edge of Hood**.



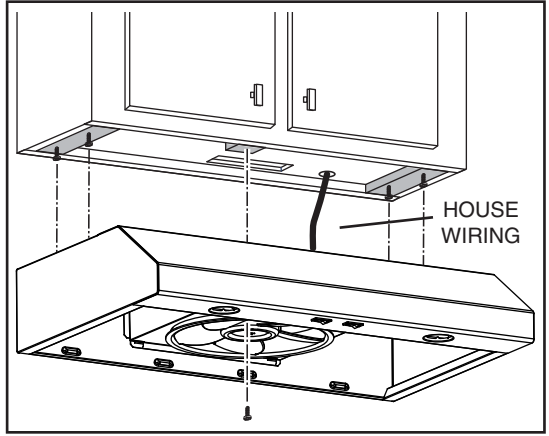
5. INSTALL THE HOOD

Run **House Power Cable** between service panel and hood location. Attach power cable to hood using appropriate clamp (not included).

Hang hood from (4) mounting screws driven part-way into cabinet locations (shown in illustrations under step 3 PREPARE THE HOOD LOCATION). Mounting screws are included in parts bag. Slide hood back towards wall until mounting screw heads are engaged in narrow end of keyhole slots in top of hood. Tighten screws securely. Add 5th mounting screw in center hole in hood and tighten securely.

DUCTED INSTALLATION ONLY:

Connect ductwork to hood and use metal foil duct tape to make joints secure and air-tight. Make sure the damper assembly (or round duct plate without damper) enters the ductwork and that the damper opens and closes freely.

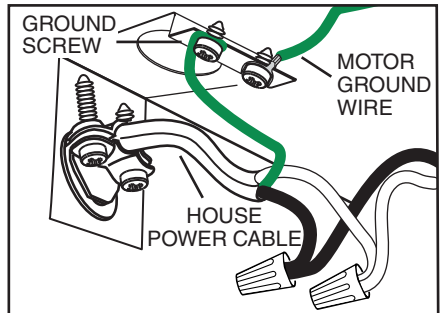


6. CONNECT THE WIRING

⚠ WARNING

Risk of electric shock. Electrical wiring must be done by qualified personnel in accordance with all applicable codes and standards. Before connecting wires, switch power off at service panel and lock service disconnecting means to prevent power to be switched on accidentally.

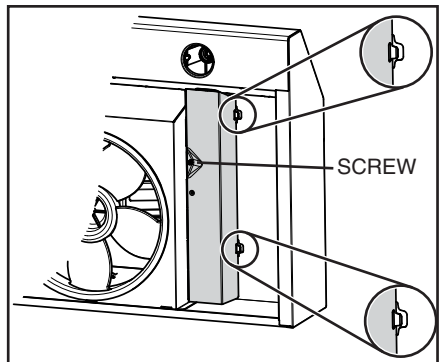
Connect **House Power Cable** to range hood wiring: BLACK to BLACK, WHITE to WHITE and GREEN or bare wire under GREEN ground screw.



Reinstall wiring cover and attach it to the hood using its retaining screw.

CAUTION

Ensure both tabs on inner top of hood are engaged in their corresponding slots in wiring cover. Also, take care not to pinch wires while reinstalling wiring cover.



7. INSTALL LIGHT BULBS

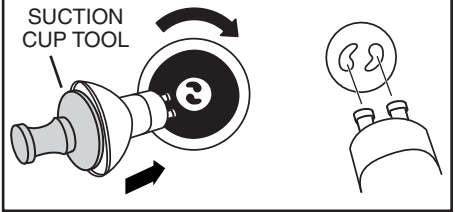
Install two shielded **Halogen Bulbs** (120 V, 50 W max., MR16 or PAR16 with GU10 base, not included).

⚠ WARNING

Do not touch lamps during or soon after operation. Burns may occur. In order to prevent the risk of personal injury, only install shielded halogen lamps. Also, never install a cool beam, a dichroic lamp, a lamp not suitable for use in recessed luminaires or identified for use in enclosed fixtures.

1. Install the bulbs by placing the bulb leads into their grooves in the socket.
2. Gently push upwards and turn clockwise until secure.

NOTE: The **Suction Cup Tool** (included with hood) can be used to install and remove light bulbs. Press suction cup tool on bulb and rotate counterclockwise to remove bulb or clockwise to install bulb.



CAUTION

Most GU10 LED replacement bulbs commonly found in the market are not designed for use in range hoods and might not perform as advertised. Their usage with this product is not recommended.

8. INSTALL FILTERS

DUCTED INSTALLATION ONLY: Re-install aluminum filters removed in Step 2.

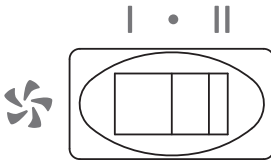
NON-DUCTED INSTALLATION ONLY: Install non-ducted filters - purchased and assembled in Step 4 on page 8.

9. OPERATION

Always turn your hood on before you begin cooking to establish an air flow in the kitchen.

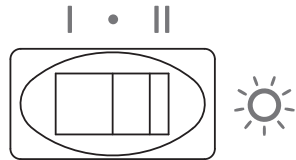
Let the blower run for a few minutes to clear the air after you turn off the range. This will help keep the whole kitchen cleaner and brighter.

Operate the hood as follows:



FAN SWITCH

- | Turns fan on to LOW speed.
- Turns fan OFF.
- || Turns fan on to HIGH speed.



LIGHT SWITCH

- | Turns light on to LOW intensity.
- Turns light OFF.
- || Turns light on to HIGH intensity.

10. CLEANING AND MAINTENANCE

Motor

The motor is permanently lubricated and never needs oiling. If the motor bearings make excessive or unusual noise, replace the motor with the exact service motor. The fan blade should also be replaced.

Grease Filters

The grease filters should be cleaned frequently. Use a warm detergent solution. Grease filters are dishwasher safe.

Remove filters by pushing them towards the back of hood and tilting them downward.

Clean all-metal filters in the dishwasher using a non-phosphate detergent. Discoloration of the filters may occur if using phosphate detergent or as a result of local water conditions—but this will not affect filter performance. This discoloration is not covered by the warranty.

Non-Ducted Recirculation Filters

The non-ducted recirculation filter should be changed every 6 months. Replace more often if your cooking style generates extra grease, such as frying and wok cooking. Refer to installation instructions included with non-ducted recirculation filters.

Fan Blade

The fan blade should be cleaned frequently. Use a clean cloth soaked with warm detergent solution.

Hood cleaning

Stainless steel cleaning:

Do:	Don't:
<ul style="list-style-type: none">• Regularly wash with clean cloth or rag soaked with warm water and mild soap or liquid dish detergent.• Always clean in the direction of original polish lines.• Always rinse well with clear water (2 or 3 times) after cleaning. Wipe dry completely.• You may also use a specialized household stainless steel cleaner.	<ul style="list-style-type: none">• Use any steel or stainless steel wool or any other scrapers to remove stubborn dirt.• Use any harsh or abrasive cleansers.• Allow dirt to accumulate.• Let plaster dust or any other construction residues reach the hood. During construction/renovation, cover the hood to make sure no dust sticks to stainless steel surface.

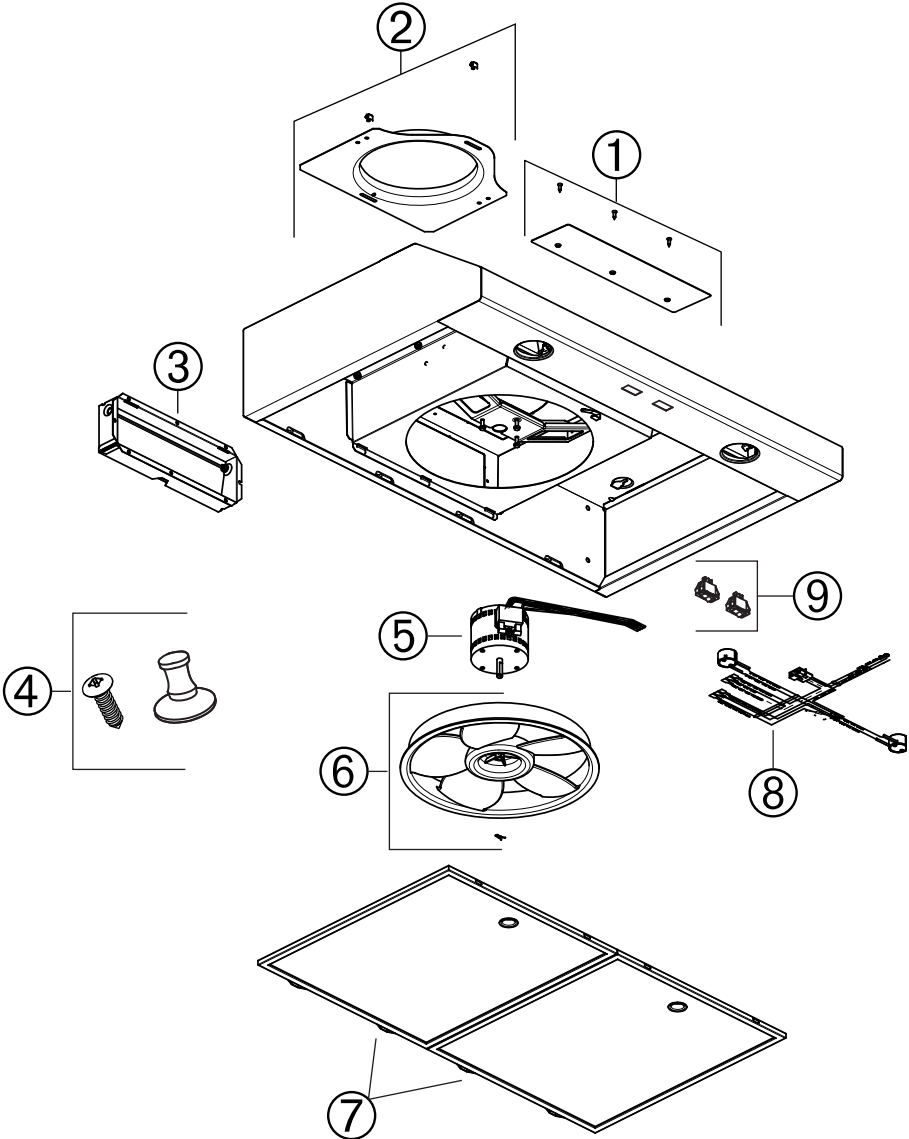
Avoid when choosing a detergent:

- Any cleaners that contain **bleach** will attack stainless steel.
- Any products containing: **chloride, fluoride, iodide, bromide** will deteriorate surfaces rapidly.
- Any combustible products used for cleaning such as **acetone, alcohol, ether, benzol**, etc., are highly explosive and should never be used close to a range.

Enamel finish:

Clean with warm water and mild detergent only. If discoloration occurs, use a good enamel polish such as automotive polish. (DO NOT use rough abrasive cleaner or porcelain cleaner.)

11. SERVICE PARTS



HL0242

11. SERVICE PARTS (CONT'D)

KEY NO.	PART NO.	DESCRIPTION	QUANTITY					
			24" WHITE	24" STAINLESS	30" WHITE	30" STAINLESS	30" BLACK	
1	97020029	RECIRCULATION COVER PLATE, BLACK (INCLUDING SCREWS)					1	
	97020030	RECIRCULATION COVER PLATE, WHITE (INCLUDING SCREWS)	1		1			
	97020031	RECIRCULATION COVER PLATE, STAINLESS STEEL (INCLUDING SCREWS)		1		1		
2	680708	7" ROUND DUCT PLATE (INCLUDING SCREWS)	1	1	1	1	1	
3	740014	3 1/2" x 10" DAMPER ASSEMBLY (INCLUDING SCREWS)	1	1	1	1	1	
4	97018623	PARTS BAG INCLUDING: 5 SCREW NO.8-3/8" T/B NO.8 HEAD, 1 SUCTION CUP TOOL	1	1	1	1	1	
5	97020032	BLOWER MOTOR	1	1	1	1	1	
6	R531075	FAN BLADE AND CLIP	1	1	1	1	1	
7	97020034	GREASE FILTER 15.75" x 10.90" (SET OF 2)	1	1				
	97020035	GREASE FILTER 15.75" x 13.90" (SET OF 2)			1	1	1	
8	97020040	WIRE HARNESS	1	1	1	1	1	
9	99030355	ROCKER SWITCH, BLACK (SET OF 2)		1			1	
	99030356	ROCKER SWITCH, WHITE (SET OF 2)	1		1		1	
*	97020036	RECIRCULATION FILTER 15.75" x 10.90" (PAIR) (NON-DUCTED INSTALLATION ONLY)	1	1				
	97020037	RECIRCULATION FILTER 15.75" x 13.90" (PAIR) (NON-DUCTED INSTALLATION ONLY)			1	1	1	
*	V05921	SHIELDED HALOGEN BULB 50 W, GU10	2	2	2	2	2	

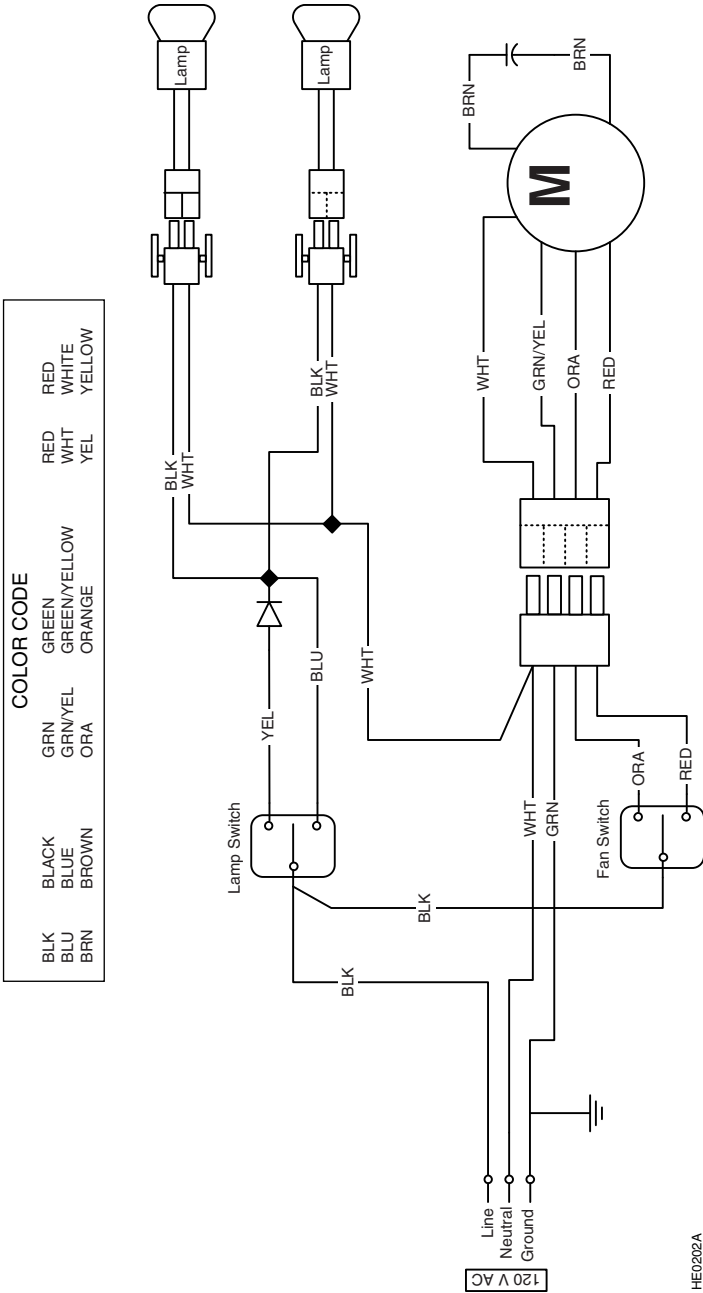
ORDER REPLACEMENT PARTS BY PART NO. — NOT BY KEY NO.

* NOT SHOWN.

REPLACEMENT PARTS AND REPAIRS

In order to ensure your unit remains in good working condition, you must use Broan-NuTone genuine replacement parts only. Broan-NuTone genuine replacement parts are specially designed for each unit and are manufactured to comply with all the applicable certification standards and maintain a high standard of safety. Any third party replacement part used may cause serious damage and drastically reduce the performance level of your unit, which will result in premature failing. Broan-NuTone recommends to contact a certified service depot for all replacement parts and repairs.

12. WIRING DIAGRAM



HE0202A