

Porter&Charles

Instructions, guide to the baskets and
cleaning

Instructions, guide pour les paniers et
nettoyage

Contents

1	INTRODUCTION	3
2	IMPORTANT SAFETY INSTRUCTION	5
3	INSTALLATION AND HOOK-UP	11
4	OPERATING INSTRUCTIONS	13
4.1	Using the rinse-aid and detergent dispensers.....	14
4.1.1	Adding the rinse-aid.....	15
4.1.2	Adjusting the rinse-aid dispenser setting	15
4.1.3	Adding the detergent	16
4.2	General warnings and recommendations.....	17
4.3	Using the racks	19
4.3.1	Lower rack	20
4.3.2	Cutlery basket	22
4.3.3	Upper rack	23
5	CLEANING AND USER-MAINTENANCE	26
5.1	General warnings and recommendations	26
5.2	Cleaning the water intake filter	27
5.3	Cleaning the spray arms	27
5.4	Cleaning the filter unit	29
5.5	General warnings and recommendations for correct maintenance	30
5.6	Troubleshooting minor problems	31
6	TECHNICAL DATA	33

1

INTRODUCTION

Thank you for choosing one of our products. To use this dishwasher correctly and safely, please read this manual carefully. The manual is divided into sections giving you a step-by-step guide to all your appliance's functions.

The texts are easy to understand and are complete with detailed illustrations. Following the cleaning instructions provided here will keep dishwasher performance at peak levels in the long term. This user-friendly manual will provide answers to all your questions about use of the dishwasher.

This manual comprises the following sections:

INTRODUCTION: general information about the manual.

WARNINGS: a list of warnings concerning safety and use of the dishwasher.




*INSTALLATION INSTRUCTIONS: for the **qualified technician** who must carry out the installation, hook-up and testing of the appliance.*

USER INSTRUCTIONS: useful advice is provided for the use of racks, spray arms, containers and filters.

Nomenclature of figures and tables:

The progressive number of each figure is shown in the bottom right-hand corner of the relative box. An example of a progressive number is "Fig. 4-01"; where the first number (4) indicates the section to which the figure belongs, while the second number (01) indicates the progressive number of the figure in section 4 (Fig. 4-01 is the first figure in section 4). The tables are numbered in the same way, bearing in mind that "Tab." is used instead of "Fig." (e.g.: Tab. 4-01 is the first table in section 4). If a table occupies more than one page, a letter is added after the progressive number (e.g.: "Tab. 4-01a", Tab. 4-01b").

Symbols used in this manual (see tab. 1-01)

	DANGER. This symbol highlights information and warnings which, if not observed, may compromise personal safety or damage the appliance.
	DANGER OF ELECTROCUTION. This symbol highlights information and warnings of an electrical nature which, if not observed, may compromise personal safety or damage the appliance.
	This symbol highlights general information and warnings.
Tab. 1-01	

2

IMPORTANT SAFETY INSTRUCTION

(Save this instructions)



THIS MANUAL FORMS AN INTEGRAL PART OF THE APPLIANCE: IT MUST ALWAYS BE KEPT INTACT TOGETHER WITH THE DISHWASHER. BEFORE USING THE APPLIANCE, CAREFULLY READ ALL THE INSTRUCTIONS CONTAINED IN THIS MANUAL.

INSTALLATION MUST BE PERFORMED BY A QUALIFIED TECHNICIAN, IN COMPLIANCE WITH THE REGULATIONS IN FORCE. THIS APPLIANCE IS INTENDED FOR DOMESTIC USE AND SIMILAR APPLICATIONS SUCH AS THE STAFF KITCHENS OF SHOPS, OFFICES AND OTHER WORKPLACES, INSTITUTIONS, AND FOR THE USE OF GUESTS AT HOTELS, HOSTELS, BED AND BREAKFAST ESTABLISHMENTS AND OTHER RESIDENTIAL FACILITIES AND COMPLIES WITH **DIRECTIVES 2006/95/EC AND 2004/108/EC** CURRENTLY IN FORCE, INCLUDING THE PREVENTION AND ELIMINATION OF RADIO FREQUENCY INTERFERENCE. THE APPLIANCE IS DESIGNED FOR THE FOLLOWING PURPOSE: **WASHING AND DRYING OF DISHES**; ANY OTHER USE SHALL BE CONSIDERED IMPROPER. **THE MANUFACTURER DECLINES ALL RESPONSIBILITY FOR USES OTHER THAN THOSE DESCRIBED ABOVE.**



THE NAME PLATE FEATURING THE TECHNICAL DATA, SERIAL NUMBER AND MARKINGS IS VISIBLY POSITIONED ON THE INNER EDGE OF THE DOOR. **THE NAME PLATE MUST NEVER BE REMOVED.**



THIS APPLIANCE IS NOT SUITABLE FOR USE ON BOATS, CARAVANS OR THE LIKE. DISHWASHERS CERTIFIED FOR DOMESTIC USE ARE NOT SUITABLE FOR AUTHORISED FOOD FACTORIES.



CHECK THAT THE VOLTAGE, FREQUENCY AND PROTECTION OF THE DOMESTIC MAINS POWER SUPPLY MATCH THE RATINGS ON THE NAME PLATE OF THE APPLIANCE.



DO NOT LEAVING DISCARDED PACKAGING MATERIALS UNSUPERVISED WITHIN THE HOME. SEPARATE THE VARIOUS PACKAGING MATERIALS AND TAKE THEM TO THE NEAREST SORTED WASTE COLLECTION CENTRE. KEEP CHILDREN, PHYSICALLY AND/OR MENTALLY IMPAIRED ADULTS, AND ANIMALS AWAY FROM PACKAGING WASTE; DANGER OF SUFFOCATION.



BEFORE PROCEEDING WITH INSTALLATION, DISCONNECT THE MAINS POWER SUPPLY FROM THE WORK AREA.



DO NOT USE EXTENSION CORDS, ADAPTORS OR SHUNT CONNECTIONS IN ORDER TO AVOID THE POSSIBILITY OF OVERHEATING OR BURNING WITH CONSEQUENT FIRE HAZARD.



DURING INSTALLATION, TAKE CARE NOT TO INJURE YOURSELF ON THE SHARP EDGES OF THE APPLIANCE; WEAR SAFETY GLOVES.



THE APPLIANCE MUST BE PROVIDED WITH AN EARTH CONNECTION IN ACCORDANCE WITH THE ELECTRICAL SAFETY REGULATIONS IN FORCE.

IF IN DOUBT, HAVE THE SYSTEM CHECKED BY A QUALIFIED ELECTRICIAN (SEE ALSO THE WARNINGS INDICATED IN CHAPTER 3).

THE MANUFACTURER DECLINES ALL RESPONSIBILITY FOR DAMAGE TO PERSONS OR PROPERTY RESULTING FROM THE FAILURE TO EARTH THE APPLIANCE OR FROM A DEFECTIVE EARTH CONNECTION.



ALWAYS SWITCH OFF THE DISHWASHER AFTER EACH USE TO AVOID WASTING ELECTRICITY.



IN THE EVENT OF A FAULT, DISCONNECT THE DISHWASHER FROM THE ELECTRICAL POWER SUPPLY AND SHUT OFF THE WATER TAP.



DO NOT USE APPLIANCES WHICH HAVE BEEN DAMAGED DURING TRANSIT! IF IN DOUBT, CONSULT YOUR DEALER. THE APPLIANCE MUST BE INSTALLED AND CONNECTED IN ACCORDANCE WITH THE INSTRUCTIONS PROVIDED BY THE MANUFACTURER OR BY A QUALIFIED TECHNICIAN.



ONLY USE DETERGENTS SPECIALLY FORMULATED FOR DISHWASHERS.

DO NOT USE DETERGENTS FORMULATED FOR WASHING DISHES BY HAND.

ONLY USE RINSE[®]AID SPECIALLY FORMULATED FOR DOMESTIC DISHWASHERS.



DO NOT INHALE OR SWALLOW DETERGENT AS THIS MAY CAUSE BURNS AND/OR PERMANENT DAMAGE TO THE NOSE, MOUTH AND THROAT, AND EVEN LEADING TO SUFFOCATION; KEEP DETERGENT AWAY FROM YOUR EYES. IF ONE OF THE ABOVE SITUATIONS OCCURS, SEEK MEDICAL ASSISTANCE IMMEDIATELY.

TO PREVENT CHILDREN FROM COMING INTO CONTACT WITH DETERGENT, FILL THE DISHWASHER JUST BEFORE STARTING THE WORK PROGRAM AND THEN KEEP THE DETERGENT OUT OF THE REACH OF CHILDREN.



THIS DISHWASHER MUST BE USED BY ADULTS. USE BY PERSONS WITH REDUCED MENTAL AND/OR PHYSICAL CAPABILITIES IS ONLY PERMITTED UNDER THE SUPERVISION OF A PERSON RESPONSIBLE FOR THEIR SAFETY.

DO NOT ALLOW CHILDREN TO APPROACH AND/OR PLAY IN OR ON THE DISHWASHER. THE APPLIANCE MAY CONTAIN RESIDUES OF DETERGENT WHICH CAN CAUSE PERMANENT DAMAGE TO THE EYES, MOUTH AND THROAT, AS WELL AS POSSIBLE DEATH BY SUFFOCATION; IF THE ABOVE OCCURS, SEEK MEDICAL ASSISTANCE IMMEDIATELY.

BEWARE; IT IS POSSIBLE FOR CHILDREN TO GET TRAPPED INSIDE THE DISHWASHER!



DO NOT INTRODUCE SOLVENTS SUCH AS ALCOHOL OR TURPENTINE WHICH MAY CAUSE AN EXPLOSION.



DO NOT POUR POWDER AND/OR LIQUID DETERGENT INTO THE RINSE-AID CONTAINER AS THIS WILL DAMAGE THE CONTAINER.

DO NOT POUR POWDER AND/OR LIQUID DETERGENT INTO THE WASTER SOFTENER TANK AS THIS WILL DAMAGE THE TANK.

DO NOT USE INDUSTRIAL DETERGENTS AS THIS MAY DAMAGE THE APPLIANCE AND/OR TRIGGER VIOLENT CHEMICAL REACTIONS (E.G. EXPLOSIVE GAS).



DO NOT LOAD DISHES THAT ARE SOILED WITH ASH, WAX OR PAINTS.



DO NOT INTRODUCE ITEMS IN HEAT-SENSITIVE PLASTIC, SUCH AS DISPOSABLE CUTLERY OR PLATES, AS THESE MAY BECOME DEFORMED. DO NOT WASH OBJECTS IN PLASTIC UNLESS THEY ARE MARKED "DISHWASHER PROOF" OR THE LIKE. FOR UNMARKED OBJECTS, FOLLOW THE INSTRUCTIONS OF THE MANUFACTURER; IF NO INFORMATION IS AVAILABLE, DO NOT WASH THESE OBJECTS IN THE DISHWASHER.



DO NOT INTRODUCE ANIMALS INTO THE DISHWASHER.



WHEN OPENING THE DISHWASHER DOOR DURING A CYCLE THERE IS A RISK OF SCALDING DUE TO THE HEAT CONTAINED INSIDE; DO NOT GET IN THE WAY OF THE STEAM LEAVING THE APPLIANCE AND DO NOT TOUCH THE COMPONENTS INSIDE.

WAIT 20 MINUTES AFTER THE END OF THE WASHING CYCLE OR AFTER INTERRUPTING IT BEFORE REMOVING THE DISHES IN ORDER TO ALLOW THEM TO DRY.



IN CERTAIN SITUATIONS, HYDROGEN MAY BE GENERATED INSIDE A HOT WATER SYSTEM THAT HAS NOT BEEN USED FOR OVER TWO WEEKS.

HYDROGEN IS AN EXPLOSIVE GAS. IF THE HOT WATER SYSTEM HAS NOT BEEN USED FOR TWO WEEKS OR MORE, OPEN ALL THE HOT WATER TAPS AND ALLOW THE WATER TO RUN FOR A FEW MINUTES BEFORE USING THE DISHWASHER. THIS WILL DISCHARGE ANY HYDROGEN BUILDUPS. AS THIS GAS IS FLAMMABLE, DO NOT SMOKE OR USE NAKED FLAMES WHILE PERFORMING THIS OPERATION.



LEANING OR SITTING ON THE DISHWASHER DOOR WHEN OPEN MAY CAUSE THE APPLIANCE TO OVERTURN, PUTTING PEOPLE AT RISK. NEVER LEAVE THE DISHWASHER DOOR OPEN; PEOPLE MIGHT TRIP OVER IT.

DO NOT LEAN AGAINST OR STAND ON THE DISHWASHER RACKS.



DO NOT DRINK THE WATER RESIDUES WHICH MAY BE PRESENT INSIDE THE DISHES OR DISHWASHER.



KNIVES OR OTHER SHARP-ENDED COOKING UTENSILS MUST BE PLACED IN THE CUTLERY BASKET BLADE-DOWN, OR LAID HORIZONTAL IN THE UPPER RACK. TAKE CARE NOT TO CUT YOURSELF AND ENSURE THAT THEY DO NOT PROJECT FROM THE RACK.

POSITION SHARP/POINTED OBJECTS SO AS TO PREVENT THEM FROM DAMAGING THE DOOR GASKETS.



DO NOT OPERATE THE DISHWASHER UNLESS ALL THE OUTER PANELS HAVE BEEN POSITIONED CORRECTLY.



DO NOT TAMPER WITH THE DISHWASHER CONTROLS.



AQUASTOP MODELS; THE AQUASTOP DEVICE PREVENTS FLOODING IN THE EVENT OF A WATER LEAK. WHEN THE AQUASTOP DEVICE IS TRIPPED (THE ERROR IS INDICATED ON THE DISPLAY), CALL IN A QUALIFIED TECHNICIAN TO IDENTIFY AND REPAIR THE FAULT. IN MODELS EQUIPPED WITH THE AQUASTOP DEVICE, THERE IS A SOLENOID VALVE INSIDE THE WATER INTAKE HOSE. **DO NOT CUT THE HOSE AND DO NOT ALLOW THE SOLENOID VALVE TO DROP INTO WATER.** IN THE EVENT OF DAMAGE TO THE WATER INTAKE HOSE, DISCONNECT THE APPLIANCE FROM THE ELECTRICAL POWER SUPPLY AND FROM THE WATER SUPPLY.

IMMEDIATELY AFTER INSTALLING THE DISHWASHER, PERFORM A QUICK TEST OF THE APPLIANCE (SEE "INSTALLATION" MANUAL). IF THE DISHWASHER FAILS TO OPERATE CORRECTLY, DISCONNECT IT FROM THE ELECTRICAL POWER SUPPLY AND CALL THE NEAREST TECHNICAL SERVICE CENTRE. **DO NOT ATTEMPT TO REPAIR THE APPLIANCE.**



THE DISHWASHER MEETS ALL THE REQUIREMENTS SET OUT BY THE REGULATIONS IN FORCE CONCERNING SAFETY AND ELECTRICAL EQUIPMENT. ANY TECHNICAL CHECKS SHOULD BE CONDUCTED EXCLUSIVELY BY A TRAINED AND AUTHORIZED TECHNICIAN: **REPAIRS CARRIED OUT BY UNAUTHORIZED PERSONS WILL INVALIDATE THE WARRANTY, AS WELL AS POSING A POTENTIAL HAZARD TO THE USER.**




BEFORE CLEANING OR SERVICING THE APPLIANCE, REMOVE THE PLUG OR TURN OFF THE MULTI-POLE SWITCH.



REMOVE THE WASHING COMPARTMENT DOOR AND DISCONNECT THE MAINS POWER SUPPLY WHEN REMOVING THE OLD DISHWASHER FOR MAINTENANCE OR DISPOSAL.



THE SYMBOL  ON THE PRODUCT, OR ON THE DOCUMENTS ACCOMPANYING THE PRODUCT, INDICATES THAT THIS APPLIANCE MAY NOT BE TREATED AS HOUSEHOLD WASTE. INSTEAD IT SHALL BE HANDED OVER TO THE APPLICABLE COLLECTION POINT FOR THE RECYCLING OF ELECTRICAL AND ELECTRONIC EQUIPMENT. DISPOSAL MUST BE CARRIED OUT IN ACCORDANCE WITH LOCAL ENVIRONMENTAL REGULATIONS FOR WASTE DISPOSAL. FOR MORE DETAILED INFORMATION ABOUT TREATMENT, RECOVERY AND RECYCLING OF THIS PRODUCT, PLEASE CONTACT YOUR LOCAL CITY OFFICE, YOUR HOUSEHOLD WASTE DISPOSAL SERVICE OR THE SHOP WHERE YOU PURCHASED THE PRODUCT.



BY ENSURING THIS PRODUCT IS DISPOSED OF CORRECTLY, YOU WILL HELP PREVENT POTENTIAL NEGATIVE CONSEQUENCES FOR THE ENVIRONMENT AND HUMAN HEALTH.



THE MANUFACTURER DECLINES ALL RESPONSIBILITY FOR DAMAGE TO PERSONS, ANIMALS OR PROPERTY RESULTING FROM FAILURE TO OBSERVE THE ABOVE PRECAUTIONS, FROM TAMPERING WITH EVEN A SINGLE COMPONENT OF THE APPLIANCE, OR FROM THE USE OF UNORIGINAL SPARE PARTS. IF IN DOUBT ABOUT THE CONTENTS OF THIS MANUAL, CONTACT THE TECHNICAL ASSISTANCE SERVICE.



DO NOT USE STEAM CLEANERS TO CLEAN THE DISHWASHER.



WARNING: SOME DISHWASHER DETERGENTS ARE STRONGLY ALKALINE. THEY CAN BE EXTREMELY DANGEROUS IF SWALLOWED. AVOID CONTACT WITH THE SKIN AND EYES AND KEEP CHILDREN AWAY FROM THE DISHWASHER WHEN THE DOOR IS OPEN. CHECK THAT THE DETERGENT RECEPTACLE IS EMPTY AFTER COMPLETION OF THE WASH CYCLE.

3 INSTALLATION AND HOOK-UP

To install and hook up this appliance, consult the attached installation manual. Bear in mind the following warnings when installing and hooking up the dishwasher.



DURING INSTALLATION, TAKE CARE NOT TO INJURE YOURSELF ON THE SHARP EDGES OF THE APPLIANCE; WEAR SAFETY GLOVES.



INSTALLATION, REPAIRS AND SERVICING MUST BE PERFORMED BY QUALIFIED AND AUTHORIZED TECHNICIANS. AS WELL AS INVALIDATING THE WARRANTY, WORK CARRIED OUT BY UNAUTHORIZED PERSONS MAY GENERATE HAZARDS. INSTALLATION MUST BE PERFORMED IN COMPLIANCE WITH ALL THE DIRECTIVES IN FORCE IN THE COUNTRY OF INSTALLATION AND, IF THESE DO NOT EXIST: IN THE UNITED STATES THE NATIONAL ELECTRIC CODE; IN CANADA THE CANADIAN ELECTRIC CODE C22.1 - LATEST EDITION/PROVINCIAL AND MUNICIPAL CODES AND/OR LOCAL CODES.



BUILDING-IN A DISHWASHER UNDERNEATH A CERAMIC HOB IS ABSOLUTELY FORBIDDEN. A DISHWASHER CAN BE BUILT-IN UNDERNEATH A CONVENTIONAL HOB PROVIDED THERE IS **NO BREAK** IN THE KITCHEN WORKTOP, AND THE DISHWASHER AND HOB ARE **INSTALLED AND SECURED CORRECTLY**, SO THAT **NO HAZARDS ARE GENERATED.**



PREVENTING THE RISK OF CLOGGING OR DAMAGE: IF THE WATER PIPE IS NEW OR HAS NOT BEEN USED FOR A LONG TIME, BEFORE CONNECTING TO THE WATER SUPPLY CHECK THAT THE WATER IS CLEAR AND FREE OF IMPURITIES, TO PREVENT DAMAGE TO THE APPLIANCE. **THE DISHWASHER MUST ALWAYS BE CONNECTED TO THE WATER SYSTEM WITH NEW HOSES; OLD OR USED HOSES MUST NEVER BE REUSED.**



CHECK THAT THE VOLTAGE AND THE FREQUENCY OF THE MAINS MATCH THE RATINGS ON THE NAME PLATE OF THE APPLIANCE POSITIONED ON THE INNER EDGE OF THE DOOR.



IN THE EVENT OF DAMAGE TO THE SUPPLY CORD, HAVE IT REPLACED BY THE MANUFACTURER OR AN AUTHORIZED TECHNICAL SERVICE CENTRE.

THIS APPLIANCE MUST BE EARTHED. IN CASE OF A MALFUNCTION OF FAULT, THE EARTH REDUCES THE RISK OF ELECTROCUTION BY PROVIDING THE ELECTRICAL CURRENT WITH AN ALTERNATIVE, LESS RESISTANT PATH.



BEFORE MAKING ELECTRICAL CONNECTIONS, DISCONNECT THE MAINS POWER SUPPLY FROM THE WORK AREA.



CHECK THAT THE MAINS SUPPLY IN THE PLACE OF INSTALLATION COMPLIES WITH THE REGULATIONS IN FORCE IN THE COUNTRY OF USE, AND THAT IT IS CORRECTLY EARTHED.



THIS APPLIANCE MUST BE EARTHED. IN CASE OF A MALFUNCTION OF FAULT, THE EARTH REDUCES THE RISK OF ELECTROCUTION BY PROVIDING THE ELECTRICAL CURRENT WITH AN ALTERNATIVE, LESS RESISTANT PATH. THIS APPLIANCE IS FITTED WITH A SUPPLY CORD CONTAINING AN EARTH WIRE AND PLUG. FIT THE PLUG INTO A SUITABLE SOCKET, INSTALLED AND EARTHED IN COMPLIANCE WITH THE LAWS IN FORCE IN THE COUNTRY OF INSTALLATION.



AN INCORRECTLY CONNECTED EARTH WIRE MAY GENERATE THE RISK OF ELECTROCUTION. IF IN DOUBT AS TO THE CORRECT EARTHING OF THE APPLIANCE, CALL IN A QUALIFIED ELECTRICIAN OR THE TECHNICAL ASSISTANCE SERVICE. DO NOT CHANGE THE PLUG ATTACHED TO THE APPLIANCE. IF THE PLUG IS NOT SUITABLE FOR THE SOCKET, CALL IN A QUALIFIED ELECTRICIAN TO FIT A SUITABLE PLUG.



IN THE EVENT OF DAMAGE TO THE SUPPLY CORD, HAVE IT REPLACED BY THE MANUFACTURER OR AN AUTHORIZED TECHNICAL SERVICE CENTRE IN ORDER TO AVOID ANY RISK.



DO NOT USE EXTENSION CORDS, ADAPTORS OR SHUNT CONNECTIONS IN ORDER TO AVOID THE POSSIBILITY OF OVERHEATING OR BURNING, WITH CONSEQUENT FIRE HAZARD.

4 OPERATING INSTRUCTIONS



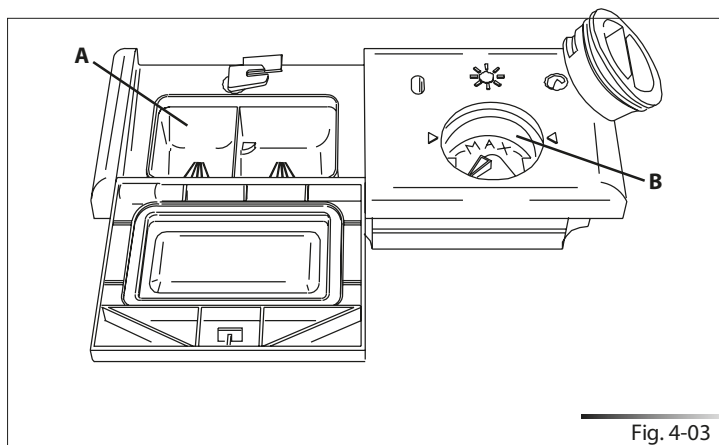
BEFORE STARTING TO USE THE APPLIANCE, MAKE SURE YOU HAVE READ AND UNDERSTOOD ALL THE WARNINGS CONTAINED IN CHAPTER 2 "IMPORTANT SAFETY INSTRUCTION".

Once the dishwasher has been correctly installed, prepare for use as follows:

- add the rinse-aid and detergent.

4.1 Using the rinse-aid and detergent dispensers

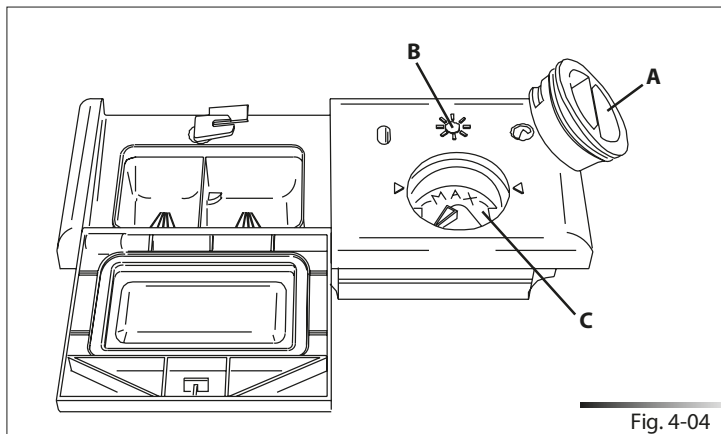
The detergent and rinse aid dispensers are situated on the inner part of the door: **the detergent dispenser** (ref. A " g. 4-03) is on the left, and the **rinse-aid dispenser** (ref. B fig. 4-03) is on the right.



*WITH THE EXCEPTION OF THE **SOAK** PROGRAM, BEFORE EVERY WASHING CYCLE IT IS NECESSARY TO ADD THE REQUIRED AMOUNT OF DETERGENT TO THE **DETERGENT DISPENSER**. THE RINSE AID, ON THE OTHER HAND, SHOULD ONLY BE ADDED AS REQUIRED.*

4.1.1 Adding the rinse-aid

The rinse aid helps the dishes dry faster and prevents the formation of scale deposits and staining; it is automatically added to the water during the final rinse cycle, from the container situated on the inner side of the door.



To add rinse aid:

- Open the door.
- Rotate the container cover (ref. A fig. 4-04) anticlockwise by $\frac{1}{4}$ of a turn and remove it.
- Add the rinse aid until the container is full (approximately 140 ml). The optical level indicator (ref. B fig. 4-04), on the side of the cap should be completely obscured. Refill the rinse aid when the optical level indicator becomes clear again, or when the rinse aid warning light illuminates (see "Description of controls" manual).
- Replace the cover (ref. A " g. 4-04) by turning it in a clockwise direction until it is fully closed.
- Use a cloth to remove any spillage of rinse aid which might lead to the formation of excess foam.

4.1.2 Adjusting the rinse-aid dispenser setting

The rinse-aid dispenser can be set to one of 6 different levels. The dishwasher is factory set for medium water hardness (selector set to "3"). To change the setting, turn the dispenser selector (ref. c fig. 4-04) to the desired position: the amount of rinse-aid dispensed is proportional to the position of this selector. Make sure that the minimum amount of rinse-aid (selector turned to "1") is approximately 1 ml and the maximum amount (selector turned to "6") is approximately 6 ml.

- To adjust the rinse aid setting, rotate the dispenser cover (ref. A fig. 4-04) through a quarter turn in an anticlockwise direction and remove it.
- Then use a screwdriver to rotate the rinse aid selector to the desired position.
- Replace the cover (ref. A fig. 4-04) by turning it in a clockwise direction until it is fully closed.
- The amount of rinse aid must be increased if the washed dishes appear dull or feature circular stains.
- If, on the other hand, the dishes are sticky or have white streaks, it is necessary to reduce the rinse aid setting.

4.1.3 Adding the detergent



DO NOT INHALE OR SWALLOW DETERGENT AS THIS MAY CAUSE BURNS AND/OR PERMANENT DAMAGE TO THE NOSE, MOUTH AND THROAT, AND EVEN LEADING TO SUFFOCATION; KEEP DETERGENT AWAY FROM YOUR EYES. IF ONE OF THE ABOVE SITUATIONS OCCURS, SEEK MEDICAL ASSISTANCE IMMEDIATELY.

PREVENT CHILDREN FROM COMING INTO CONTACT WITH DETERGENT;

KEEP THEM AWAY FROM THE DISHWASHER WHEN THE DOOR IS OPEN AS IT MAY CONTAIN DETERGENT RESIDUES. FILL THE DISHWASHER JUST BEFORE STARTING THE WASHING CYCLE AND THEN KEEP THE DETERGENT OUT OF THE REACH OF CHILDREN.

To open the detergent dispenser cover, lightly press the relative button (ref. A fig. 4-05). Add the detergent and close the cover carefully, pushing down on the arrow (ref. B fig. 4-05). During the washing cycle, the dispenser will be opened automatically.

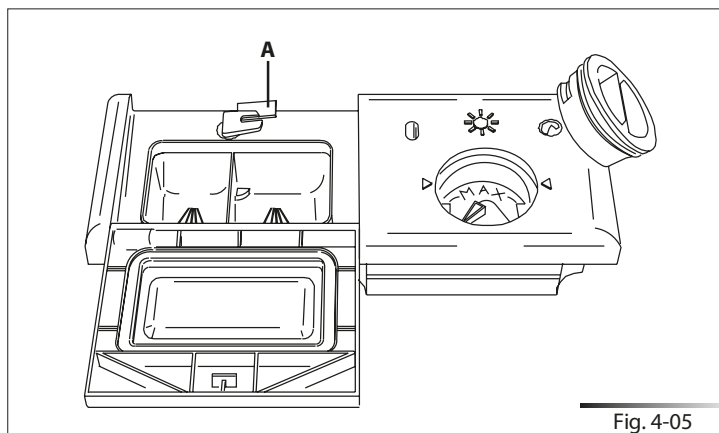
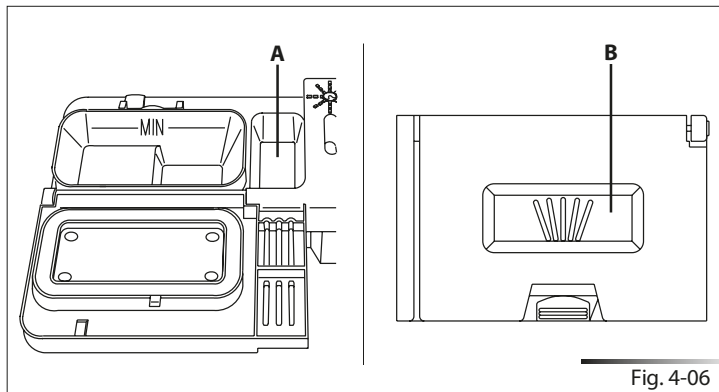


Fig. 4-05



- When a program with hot prewash is selected (see program table in the “Description of Controls” manual), extra detergent must be placed in the cavity (ref. A or B fig. 4-06, depending on models).
- **Only** use dishwasher-specific detergents. For optimal washing results it is important to use a good quality detergent.
- The detergent packs must be sealed and stored in a dry place to prevent the formation of lumps which may negatively affect washing results. Once opened the detergent packs should not be kept for too long, otherwise the detergent loses its effectiveness.
- Do not use detergents formulated for washing dishes by hand, because they produce a great deal of foam and may negatively affect the operation of the dishwasher.
- Add the correct amount of detergent. An insufficient amount of detergent will result in a partial removal of dirt from the dishes, whereas an excessive amount is wasteful and does not improve the washing results.
- The market offers liquid and powder detergents with differing chemical compositions, which may contain **phosphates**, or be phosphate-free but contain **natural enzymes**.
- Detergents containing **phosphates** are more effective against grease and starch at **temperatures above 60°C (140°F)**.
- Enzyme detergents, on the other hand, are also effective at lower temperatures (**from 40 to 55°C / from 104 to 131°F**) and are more easily biodegradable. With enzyme detergents it is possible to obtain at low temperatures comparable results to those which can only be achieved at **65°C (149°F)** using traditional detergents. For the safeguarding of the environment we recommend the use of **phosphate- and chlorine-free** detergents.

- When using detergent tabs, place them in the cutlery basket. The dispenser has been designed for powder or liquid detergent. As the cover does not open completely during the washing cycle, tabs are not fully released (dissolved). This could generate the following problems:
 - insufficient detergent released during the cycle and poor washing results;
 - the detergent is compacted in the dispenser and is released during the final rinse cycle.



THE INTRODUCTION OF DETERGENT INTO THE RINSE AID DISPENSER, EVEN IN LIQUID FORM, WILL DAMAGE THE DISHWASHER.

4.2 General warnings and recommendations

Before using the dishwasher for the first time, it is advisable to read the following recommendations concerning dish types to be washed and their loading. There are generally no constraints on the washing of domestic dishes, but in certain cases it is necessary to take their characteristics into account. Before loading the dishes into the racks it is necessary to:

- remove coarse food remains: e.g. bones, fish-bones, etc. which may clog the filter or damage the wash pump;
- soak any pots or pans with burnt-on food remains on the bottom to facilitate removal, then load them into the LOWER RACK.

Use the “**½ load wash**” option (if available) for washing small amounts of dishes; it saves water and electricity. When using this function, **only load the rack selected for the ½ load wash**; the other rack must remain empty. There is no need to pre-wash the dishes under running water before loading them into the racks since this only wastes water. **Correct loading of the dishes helps ensure optimal washing results.**

WARNING!

- make sure that the dishes are securely in place so that they cannot tip over or obstruct the rotation of the spray arms during the washing cycle;
- do not place very small objects in the racks as these could fall and obstruct the spray arms or the wash pump;
- containers such as cups, bowls, glasses and pots should always be loaded with the opening facing downwards and with any cavities at an angle, to allow the water to drain out;
- do not stack dishes or place them in such a way that they cover one other;
- do not place glasses too close together because they may knock against each other and break, or there might be staining at the point where they touch.

MAKE SURE that the items being washed are dishwasher-safe.

Items which are not dishwasher-safe:

- **Wooden dishes, pots or pans:** these may be damaged by the high washing temperatures.
- **Handcrafted items:** these are rarely suitable for washing in a dishwasher. The relatively high water temperatures and the detergents used may damage them.
- **Lightweight objects:** place lightweight objects in the upper rack where the water pressure is lower.
- **Dishes and objects in copper, tin, zinc or brass:** these tend to stain.
- **Aluminum dishes:** items made from anodized aluminum may lose their color.
- **Silverware:** silver items may stain.
- **Glass and crystal:** in general, glass and crystal objects can be washed in the dishwasher. However, certain types of glass and crystal may become dull and lose their clearness after many washings. Therefore, for these items we recommend using the least aggressive program available (see "Description of controls" manual).
- **Decorated items:** the decorated objects available on the market are generally able to withstand washing in the dishwasher, although the colors may fade after a great many washes. If in doubt as to the fastness of the colors, it is advisable to wash just a few items at a time for approximately one month.

4.3 Using the racks

The dishwasher has a capacity of **13 place-settings**, including serving dishes. Examples of loading 13 place-settings in the upper rack (see fig. 4-07) and in the lower rack (see fig. 4-08) are shown below.

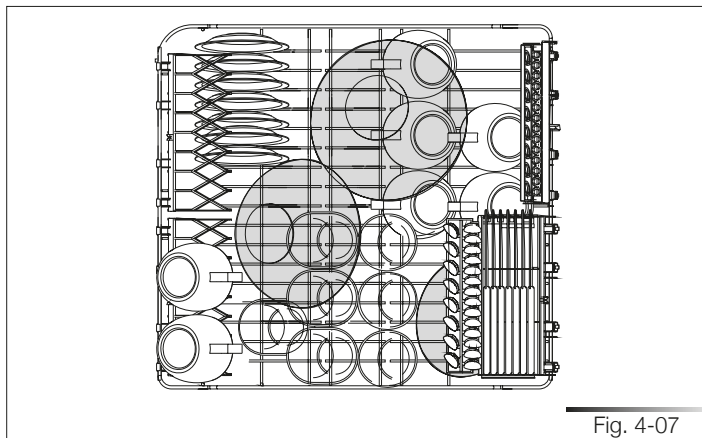


Fig. 4-07

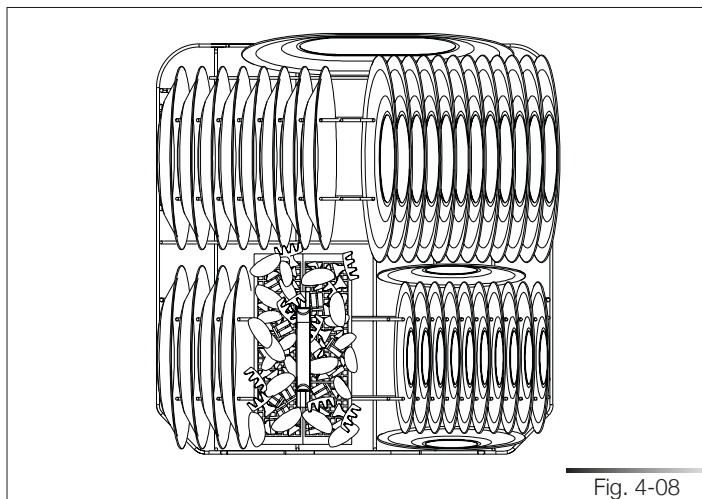


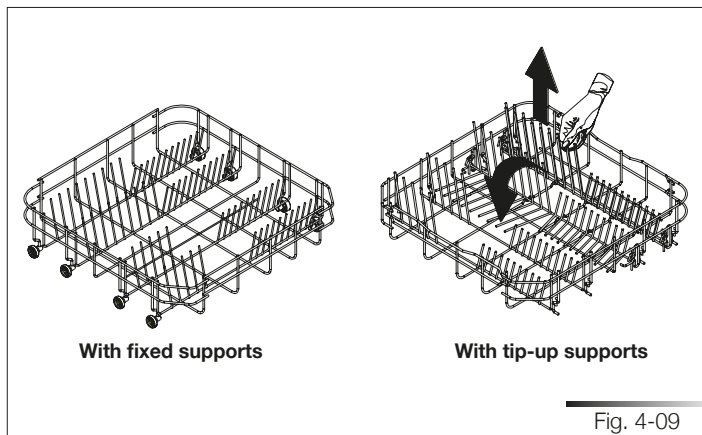
Fig. 4-08

4.3.1 Lower rack

The lower rack receives the full force of the lower spray arm, and should therefore be used for the “toughest” items with a heavier degree of soiling.

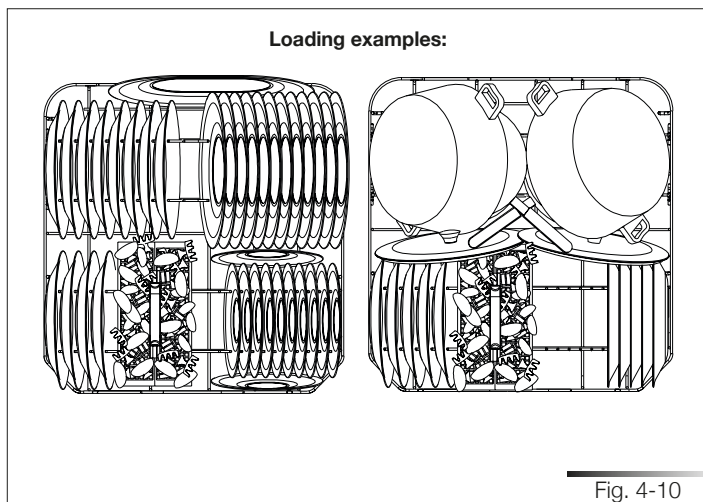
All types and combinations of loads are permitted, provided that the dishes, pots and pans are arranged with all the soiled surfaces exposed to the water jets coming from the bottom.

To make the most of the space inside the rack when loading large items, certain models are equipped with tip-up supports for plates in 2 or 4 sections (see fig. 4-09).



Loading the lower rack *(see fig. 4-10)*

Carefully load flat plates, soup plates, dessert and serving dishes, positioning them vertically. Pots, pans and their covers must be loaded upside down. When loading soup plates and dessert bowls, be sure to leave a gap between them.

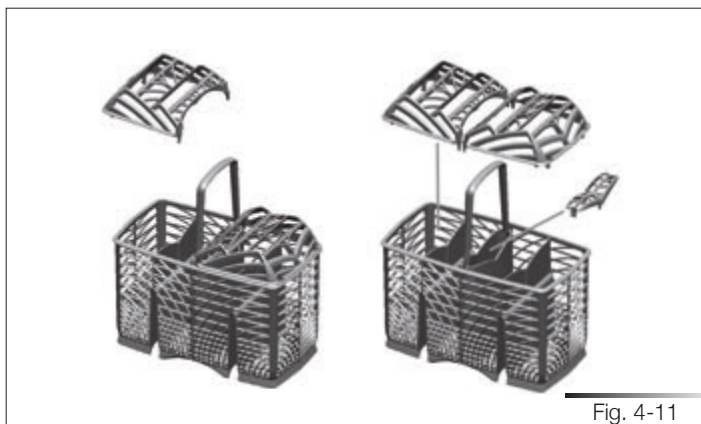


4.3.2 Cutlery basket (see fig. 4-11/4-12 depending on models)

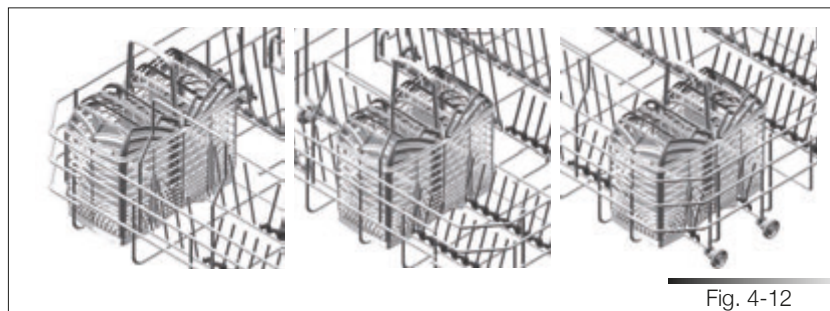
The basket has **removable top grids** into which items of cutlery should be inserted to keep them properly spaced and allow water to pass between them effectively. The top grids and central lid are in the **bag of accessories**. The **central lid** functions as a **lid only**.

The top grids can be **detached** and **used separately**.

The cutlery should be arranged in an orderly manner inside the basket, with the handles pointing downwards. Take care during loading to avoid injury from the knife blades. The basket is suitable for all types of cutlery, except those long enough to interfere with the upper spray arm. Ladles, wooden spoons and cooking knives can be placed in the upper basket, **making sure that the knife blades do not protrude from the basket**.



The cutlery basket slides across the dishwasher and can be **placed in any position** to allow optimal use of the space in the bottom basket.



4.3.3 Upper rack (see fig. 4-13)

Depending on the models, the basket may be equipped with some or all of the following accessories:

- Supports for cups or long objects (ladles, spoons...), on the left; can be tipped to the vertical position when not in use.
- Long-stemmed glass holder, on the left; to use, simply lift and fix onto the hooks provided.
- Cutlery racks, on the right, designed for knives and teaspoons; for teaspoons, pull out the sliding support. The racks can be tipped to the vertical position when not in use.
- Fixed or movable racks in the middle. The movable supports can be fixed vertical, resting on the bottom of the basket when not in use, or set in the intermediate position, as required.

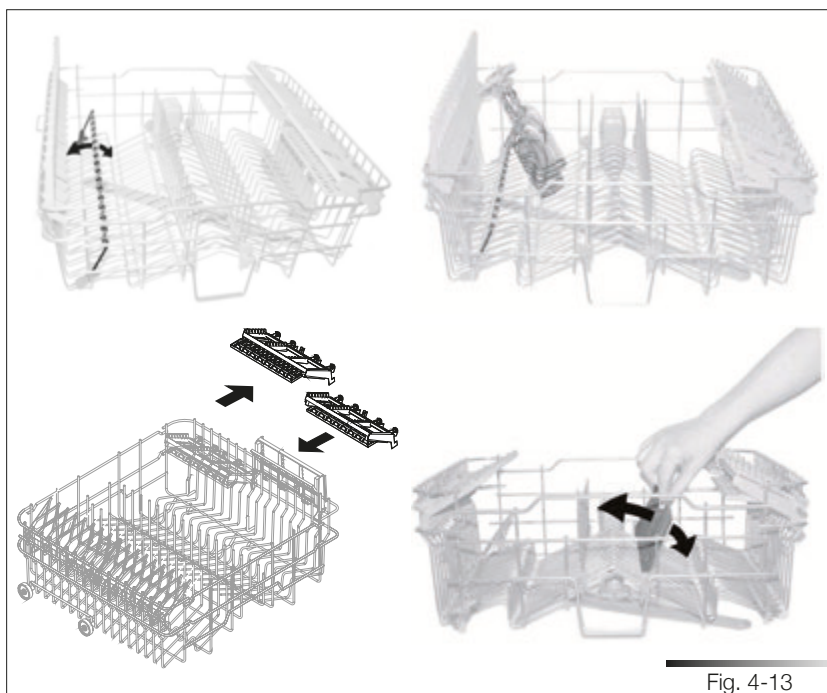
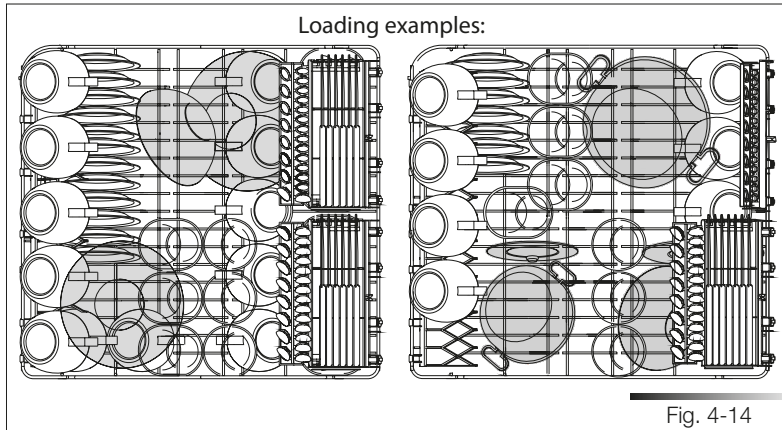


Fig. 4-13

Loading the upper rack (see fig. 4-14)

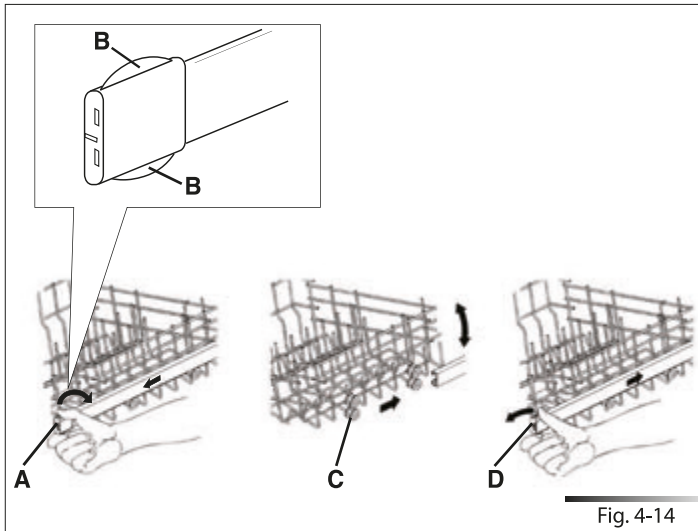
Load plates facing forward; cups, bowls etc. must always be facing downwards. The left-hand side of the rack can be loaded with two layers of cups and glasses. The centre can be filled with plates and side-plates, fitted upright into the supports provided.



Adjusting the upper rack

The upper rack can be adjusted in two positions, according to the user's needs and according to the height of the dishes in the lower rack (see fig. 4-14). Proceed as follows:

- pull out the right-hand rack guide. Remove the stop (ref. A fig. 4-14) after releasing the tabs (ref. B fig. 4-14) (first release the upper tab and then the lower one);
- pull out the left-hand rack guide and remove the corresponding stop, just as you did for the right-hand rack guide;
- remove the rack from the guides;
- fit the upper or lower pair of wheels (ref. c fig. 4-14) into the guides, depending on the setting required;
- return the guide stops to their original positions (ref. d fig. 4-14) (first attach the lower tab and then the upper one).



5 **CLEANING AND USER-MAINTENANCE**



BEFORE CARRYING OUT ANY WORK, ALWAYS DISCONNECT THE APPLIANCE FROM THE ELECTRICAL POWER SUPPLY.

5.1 **General warnings and recommendations**



NEVER USE ABRASIVE AND/OR CORROSIVE DETERGENTS TO CLEAN THE APPLIANCE.

Clean the outer surfaces and door-lining of the dishwasher regularly using a soft cloth moistened with a neutral detergent (not abrasive and/or corrosive) suitable for painted surfaces. Clean the door gaskets with a damp sponge. Periodically (once or twice a year) it is advisable to clean the tank and gaskets, using a soft cloth and water to remove any deposits.

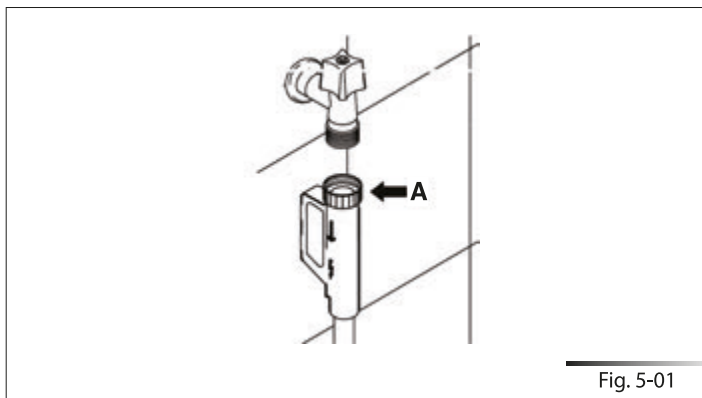
Do not clean the controls with too much water as this may leak onto the electronic components and damage them.

After cleaning, dry the appliance with a soft, lint-free cloth.

If stainless steel surfaces are preset, clean them with a non-abrasive product specific for stainless steel. To prevent stains, a nebulizer may also be used, though sparingly and at a moderate pressure.

5.2 *Cleaning the water intake filter*

Clean the water inlet filter at regular intervals. After closing the delivery tap, unscrew the ring nut (ref. A fig. 5-01) on the water inlet pipe (using a pair of pliers, if necessary) and delicately clean the filter, removing deposits or impurities. Then firmly fix the pipe by tightening the ring nut (ref. A fig. 5-01) (use a pair of pliers, if necessary).

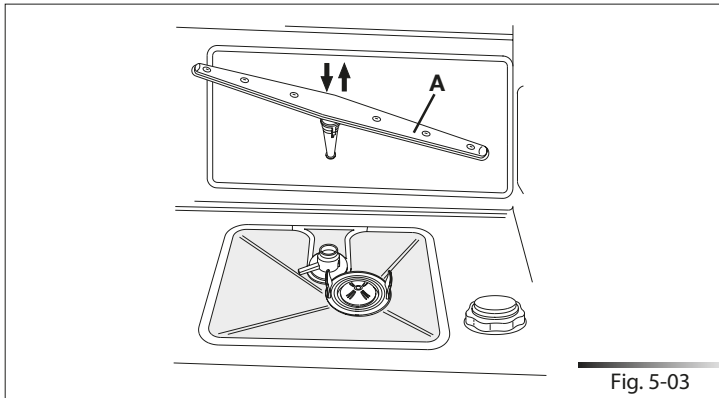
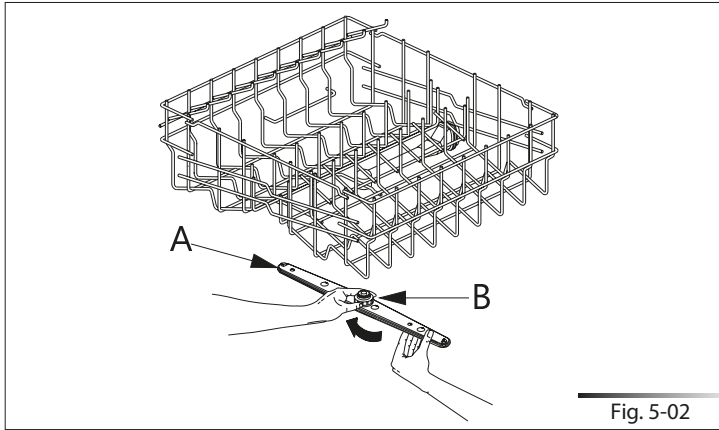


5.3 *Cleaning the spray arms*

The spray arms can be easily removed for periodic cleaning of the nozzles, to prevent possible clogging. Wash them under running water (at room temperature) and carefully replace them in their seats, **checking that their rotary movement is in no way impeded**; if this is not the case, make sure they have been mounted properly.

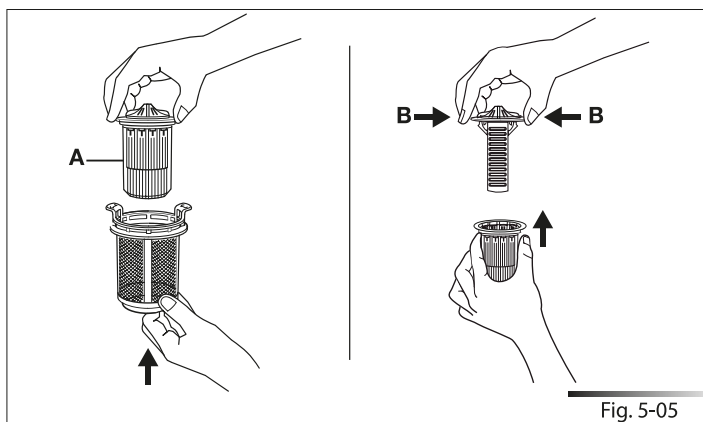
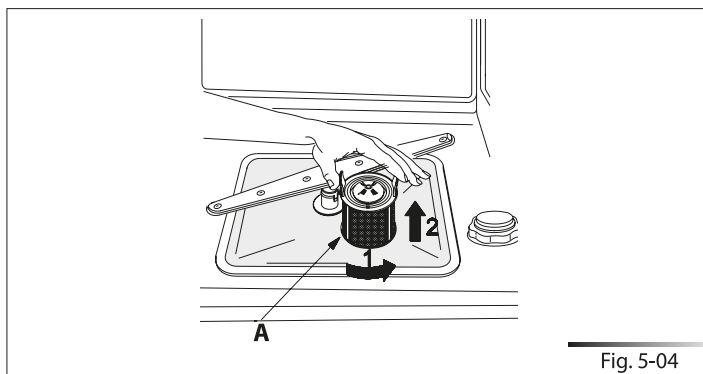
Removing the spray arms

- To remove the **upper** spray arm (ref. A fig. 5-02), unscrew the locking ring (ref. B fig. 5-02) by turning it clockwise. After cleaning, remount the spray arm in its seat and tighten the locking ring by turning it anti-clockwise.
- To remove the lower spray arm (ref. A fig. 5-03), simply lift it up, pulling by the central part (see fig. 5-03). Then remount the lower spray arm into its seat and push it down slightly until it click into place (see fig. 5-03).



5.4 Cleaning the filter unit

- Periodically inspect the filter unit (ref. A fig. 5-04) and, if necessary, clean it under running water (at room temperature), using a stiff brush. To remove the filter, grip the tabs, turn anticlockwise and lift upwards;
- push the centre filter (ref. A fig. 5-05) from the underside to remove it from the micro-filter;
- separate the two parts which make up the plastic centre filter by pressing the body of the filter in the zone shown by the arrows (ref. B fig. 5-05);
- remove the centre filter by lifting it upwards.
- after cleaning, remount the filter unit, joining the two parts comprising the centre filter by pushing slightly until they click into place; insert the centre filter into the micro-filter (see fig. 5-05). Reposition the filter unit (ref. A fig. 5-04) into its seat, turning it clockwise until it locks.



5.5 *General warnings and recommendations for correct maintenance*

- Clean the filters **under running water** (at room temperature) using a stiff brush.
- **When removing the filter**, take care that there are no food residues on it. If any residues fall into the washing pit (ref. A fig. 5-06), they might block hydraulic components or foul the spray arm nozzles.
- It is essential to **thoroughly clean the filters** according to the above instructions: the dishwasher cannot function if the filters are clogged.
- **Carefully replace** the filters in their seats, to avoid damaging the wash pump.

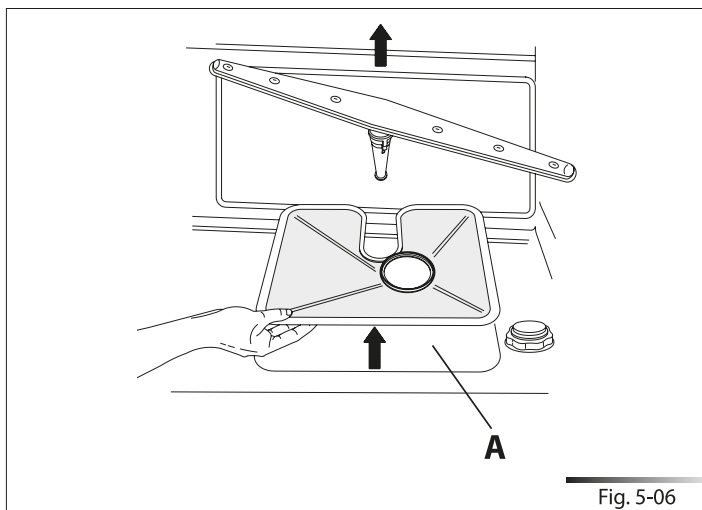


Fig. 5-06

Prolonged disuse

- Run the soak program **twice** in succession.
- **Unplug the power** cord from the socket.
- Leave **the door slightly open** in order to prevent the formation of unpleasant odors inside the washing tank.
- **Fill the rinse-aid dispenser.**
- **Shut off the water supply tap.**

Before starting the dishwasher after prolonged disuse

- Check that there are no deposits of sludge or rust inside the water pipe: if there are, allow the water to run from the water supply tap for a few minutes.
- **Plug the power cord** back into the socket.
- **Reconnect the water intake hose and open the tap again.**

5.6 Troubleshooting minor problems

In some cases it is possible to remedy minor problems by referring to the following instructions:

If the program fails to start, check that:

- the dishwasher is connected to the electrical power supply;
- there is no power failure;
- the water tap is open;
- the dishwasher door is properly closed.

If water remains inside the dishwasher, check that:

- the drain hose is not kinked
- the drain siphon is not obstructed;
- the dishwasher filters are not clogged.

If the dishes do not come out clean, check that:

- the correct amount of detergent has been added;
- there is regenerating salt inside the special container;
- the dishes are being loaded correctly;
- the selected program is suitable for the dish types and their degree of soiling;
- all the filters are clean and positioned correctly;
- the spray arm nozzles are not obstructed;
- there is no object obstructing the rotation of the spray arms.

If the dishes fail to dry or remain dull, check that:

- there is rinse aid inside the special container;
- the rinse-aid dispenser setting is correct;
- the detergent used is of good quality and has not lost its effectiveness (for example, through incorrect storage, with the box left open).

If the dishes show signs of streaking, staining, etc., check that:

- the rinse aid dispenser setting is not too high.

If there are visible traces of rust inside the tank:

- the tank is made of steel, and therefore any rust marks are due to external elements (fragments of rust from the water pipes, pots, cutlery, etc.). Special products are commercially available to remove such marks.
- check that the amount of detergent being used is correct. Certain detergents can be more corrosive than others.
- check that the cap of the salt container is securely closed, and that the water softening setting is correct.



IF AFTER PERFORMING THE ABOVE TROUBLESHOOTING INSTRUCTIONS THE PROBLEM PERSISTS, CALL THE NEAREST TECHNICAL ASSISTANCE CENTRE.

WARNING: ANY OPERATIONS PERFORMED ON THE APPLIANCE BY UNAUTHORIZED PERSONS ARE NOT COVERED BY THE WARRANTY AND SHALL BE PAID FOR BY THE USER.

6 **TECHNICAL DATA** *(SEE TAB. 6-01)*

Width	59.7 cm ÷ 59.9 cm (23-1/2" ÷ 23-37/64")
Depth measured flush with the outer edge of the control panel	57 cm (22-7/16") 60 cm (23-5/8") 55 cm (21-21/32")
Height	from 86 cm to 91 cm (from 33-55/64" to 35-53/64")
Capacity	13 standard place-settings
Water supply pressure	min.7 - max. 130 PSI (min. 0.5 – max. 9 bar)
Electrical characteristics	See rating plate
Tab. 6-01	

Sommaire

1	INTRODUCTION	3
2	AVERTISSEMENTS SUR LA SÉCURITÉ ET L'UTILISATION	5
3	INSTRUCTIONS POUR L'INSTALLATION ET LA POSE	11
4	INSTRUCTION POUR L'UTILISATION	13
4.1	Utilisation du distributeur de produit de lavage et du doseur de liquide de rinçage.....	13
4.1.1	Ajout du liquide de rinçage	14
4.1.2	Réglage du dosage du liquide de rinçage.....	14
4.1.3	Chargement du produit de lavage.....	15
4.2	Avertissements et conseils généraux.....	17
4.3	Utilisation des paniers	20
4.3.1	Panier inférieur	21
4.3.2	Panier à couverts	23
4.3.3	Panier supérieur	24
5	INSTRUCTIONS POUR LE NETTOYAGE ET L'ENTRETIEN	27
5.1	Avertissements et conseils généraux	27
5.2	Nettoyage du filtre d'arrivée d'eau	28
5.3	Nettoyage des bras de lavage	28
5.4	Nettoyage du groupe filtrant	30
5.5	Instructions et conseils pour un entretien correct	31
5.6	Élimination de petits inconvénients	32
6	DONNÉES TECHNIQUES	34

1 INTRODUCTION

Nous vous remercions d'avoir choisi l'un de nos produits. Pour connaître les conditions les plus appropriées pour une utilisation correcte et sûre de votre lave-vaisselle, lisez attentivement les instructions de ce manuel. Les paragraphes sont proposés de façon à faire connaître progressivement toutes les fonctions de l'appareil; les textes sont facilement compréhensibles et sont illustrés par des images détaillées. Vous trouverez des conseils de nettoyage qui vous permettront de maintenir inaltérées dans le temps les performances de votre lave-vaisselle. Ce manuel, d'une consultation facile, est conçu pour offrir des réponses aux questions qui peuvent surgir lors de l'utilisation du lave-vaisselle.

Le manuel comprend les sections suivantes:

INTRODUCTION : cette section contient des informations génériques concernant le manuel.

AVERTISSEMENTS : cette section contient une série d'avertissements concernant la sécurité et l'utilisation du lave-vaisselle.




INSTRUCTIONS POUR L'INSTALLATEUR : elles sont destinées au **technicien qualifié** qui doit effectuer l'installation, la mise en service et l'essai de l'appareil.

INSTRUCTIONS POUR L'UTILISATEUR : cette section contient des conseils utiles sur l'utilisation des paniers, bras de lavage, réservoirs et filtres.

Nomenclature des figures et des tableaux :

l'encadré qui contient les figures reporte, en bas sur la droite, la numérotation progressive de celles-ci. Un exemple de numérotation est "Fig. 4-01", où le premier chiffre (4) correspond au chapitre d'appartenance de la figure, tandis que le deuxième chiffre (01) correspond au numéro progressif de la figure au sein du chapitre 4 (dans l'exemple, la Fig. 4-01 correspond à la première figure du chapitre 4). La numérotation des tableaux suit le même principe avec, au lieu de "Fig.," la notation "Tab." (par ex. Tab. 4-01 correspond au premier tableau du chapitre 4). Si un même tableau occupe plusieurs pages, une lettre est ajoutée après le chiffre progressif (par ex. "Tab. 4-01a", Tab. 4-01b").

Symboles utilisés dans ce manuel (voir tab. 1-01)

	DANGER. Ce symbole indique des informations et avertissements qui doivent impérativement être respectés pour ne pas compromettre la sécurité des personnes ou endommager l'appareil.
	DANGER ÉLECTRIQUE. Ce symbole indique des informations et avertissements concernant les circuits électriques qui doivent impérativement être respectés pour ne pas compromettre la sécurité des personnes ou endommager l'appareil.
	Ce symbole indique des informations et avertissements de caractère général.
Tab. 1-01	

2

AVERTISSEMENTS SUR LA SÉCURITÉ ET L'UTILISATION (Conserver ces instructions)

CE MODE D'EMPLOI EST PARTIE INTÉGRANTE DE L'APPAREIL: IL FAUT TOUJOURS LE CONSERVER INTACT PRÈS DE L'APPAREIL. AVANT L'UTILISATION, NOUS CONSEILLONS UNE LECTURE ATTENTIVE DE TOUTES LES INDICATIONS QU'IL CONTIENT. L'INSTALLATION DEVRA ÊTRE EFFECTUÉE PAR UN PERSONNEL QUALIFIÉ ET CONFORMÉMENT AUX NORMES EN VIGUEUR. CET APPAREIL EST PRÉVU POUR UNE UTILISATION DE TYPE DOMESTIQUE ET POUR TOUTE AUTRE APPLICATION DU MÊME GENRE, PAR EXEMPLE, POUR LE PERSONNEL DANS LA CUISINE DES BOUTIQUES, BUREAUX ET AUTRES LIEUX DE TRAVAIL, DANS LES COMMUNAUTÉS, POUR LES CLIENTS DANS LES HÔTELS, AUBERGES, BED AND BREAKFAST ET TOUTE AUTRE STRUCTURE RÉSIDENIELLE. IL RÉPOND AUX **DIRECTIVES 2006/95/CE ET 2004/108/CE** ACTUELLEMENT EN VIGUEUR, Y COMPRIS LA PRÉVENTION ET L'ÉLIMINATION DES BROUILLAGES. L'APPAREIL EST CONSTRUIT POUR EXERCER LA FONCTION SUIVANTE: **LAVAGE ET SÉCHAGE DE LA VAISSELLE**; TOUT AUTRE EMPLOI EST À CONSIDÉRER COMME ÉTANT IMPROPRE. **LE CONSTRUCTEUR DÉCLINE TOUTE RESPONSABILITÉ POUR DES EMPLOIS DIFFÉRENTS DE CEUX ÉTANT INDIQUÉS.**



LA PLAQUE D'IDENTIFICATION, AVEC LES DONNÉES TECHNIQUES, LE NUMÉRO MATRICULE ET LE MARQUAGE, EST POSITIONNÉE DE FAÇON VISIBLE SUR LE BORD INTERNE DE LA PORTE DU LAVE-VAISSELLE.

LA PLAQUE D'IDENTIFICATION NE DOIT JAMAIS ÊTRE ENLEVÉE.



L'APPAREIL N'EST PAS ADAPTÉ POUR UNE UTILISATION MARITIME OU MOBILE COMME, PAR EXEMPLE, SUR DES CAMPINGCARS OU BATEAUX. LES LAVE-VAISSELLE CERTIFIÉS POUR UN USAGE DOMESTIQUE NE SONT PAS DESTINÉS AUX ÉTABLISSEMENTS ALIMENTAIRES AUTORISÉS.



CONTRÔLER QUE LA TENSION, LA FRÉQUENCE ET LA SENSIBILITÉ DE PROTECTION DE L'INSTALLATION ÉLECTRIQUE GÉNÉRALE CORRESPONDENT AUX INDICATIONS REPORTÉES SUR LA PLAQUE D'IDENTIFICATION DE L'APPAREIL.



NE PAS LAISSER DES RÉSIDUS D'EMBALLAGE SANS SURVEILLANCE DANS L'HABITATION. SÉPARER LES DIFFÉRENTS MATÉRIAUX DE L'EMBALLAGE À JETER ET LES APPORTER DANS LE CENTRE DE COLLECTE SÉLECTIVE LE PLUS PROCHE. LES RÉSIDUS D'EMBALLAGE NE DOIVENT PAS ÊTRE LAISSÉS À LA PORTÉE DES ENFANTS, DE PERSONNES AYANT DES CAPACITÉS PHYSIQUES ET/OU MENTALES RÉDUITES OU DES ANIMAUX AFIN D'ÉVITER LE RISQUE D'ASPHYXIE.



AVANT DE PROCÉDER À L'INSTALLATION, COUPER L'ALIMENTATION ÉLECTRIQUE DANS LA ZONE DE POSITIONNEMENT.



NE PAS UTILISER DES PROLONGATEURS, ADAPTATEURS OU DÉRIVATEURS, CAR ILS PEUVENT PROVOQUER DES SURCHAUFFES OU S'ENFLAMMER EN ENTRAÎNANT DES RISQUES D'INCENDIE.



PENDANT L'INSTALLATION, FAIRE ATTENTION AUX BORDS TRANCHANTS SUR LE LAVE-VAISSELLE ; POUR ÉVITER DE SE BLESSER, METTRE DES GANTS DE SÉCURITÉ.



LA MISE À LA TERRE CONFORMÉMENT AUX MODALITÉS PRÉVUES PAR LES NORMES DE SÉCURITÉ DE L'INSTALLATION ÉLECTRIQUE EST OBLIGATOIRE. EN CAS DE DOUTE, FAIRE CONTRÔLER L'INSTALLATION PAR UN ÉLECTRICIEN QUALIFIÉ (VOIR ÉGALEMENT LES AVERTISSEMENTS REPORTÉS DANS LE CHAPITRE 3).

LE FABRICANT DÉCLINE TOUTE RESPONSABILITÉ POUR LES ÉVENTUELS DOMMAGES AUX PERSONNES OU AUX CHOSSES DÉRIVANT D'UNE MISE À LA TERRE NON EXÉCUTÉE OU DÉFECTUEUSE.



APRÈS CHAQUE UTILISATION, METTRE HORS TENSION LE LAVE-VAISSELLE POUR ÉVITER UNE DISPERSION D'ÉNERGIE ÉLECTRIQUE.



EN CAS D'ANOMALIES DE FONCTIONNEMENT, DÉBRANCHER LE LAVE-VAISSELLE DU RÉSEAU ÉLECTRIQUE ET FERMER LE ROBINET D'EAU.



NE PAS UTILISER DES APPAREILS ENDOMMAGÉS PAR LE TRANSPORT ! EN CAS DE DOUTE, CONSULTER LE REVENDEUR. L'APPAREIL DOIT ÊTRE INSTALLÉ ET BRANCHÉ CONFORMÉMENT AUX INSTRUCTIONS FOURNIES PAR LE FABRICANT OU PAR DU PERSONNEL QUALIFIÉ.



UTILISER UNIQUEMENT DES PRODUITS DE LAVAGE DÉCLARÉS ADAPTÉS POUR L'USAGE DANS LES LAVE-VAISSELLE. NE PAS UTILISER DES PRODUITS DE LAVAGE POUR LE LAVAGE À LA MAIN. UTILISER UNIQUEMENT DU LIQUIDE DE RINÇAGE POUR LAVE-VAISSELLE DOMESTIQUES.



NE PAS INHALER NI INGÉRER LE PRODUIT DE LAVAGE ; IL PEUT PROVOQUER DES BRÛLURES ET/OU DES LÉSIONS IRRÉPARABLES AU NEZ, À LA BOUCHE ET À LA GORGE ET MÊME PROVOQUER L'ASPHYXIE ; ÉVITER QUE LE PRODUIT DE LAVAGE ENTRE EN CONTACT AVEC LES YEUX. SI LES SITUATIONS SUSMENTIONNÉES SE PRODUISENT, FAIRE IMMÉDIATEMENT APPEL À UN MÉDECIN.

AFIN D'ÉVITER QUE LES ENFANTS ENTRENT EN CONTACT AVEC LES PRODUITS DE LAVAGE, CHARGER CEUX-CI JUSTE AVANT DE DÉMARRER LE PROGRAMME DE LAVAGE, PUIS LES RANGER HORS DE LEUR PORTÉE.



LE LAVE-VAISSELLE DOIT ÊTRE UTILISÉ PAR DES ADULTES. SON UTILISATION PAR DES PERSONNES AVEC DES CAPACITÉS PHYSIQUES ET/OU MENTALES RÉDUITES N'EST ADMISE QUE SOUS LA SUPERVISION D'UN RESPONSABLE POUR LEUR SÉCURITÉ.

POUR ÉLIMINER LE RISQUE DE DOMMAGES AUX PERSONNES, NE PAS PERMETTRE AUX ENFANTS DE S'APPROCHER DU LAVE-VAISSELLE ET/OU DE JOUER AVEC OU SUR CELUI-CI. DES RÉSIDUS DE PRODUIT DE LAVAGE PEUVENT RESTER À L'INTÉRIEUR DU LAVE-VAISSELLE ET PROVOQUER DES LÉSIONS IRRÉPARABLES AUX YEUX, À LA BOUCHE ET À LA GORGE ET MÊME PROVOQUER L'ASPHYXIE ; SI LES SITUATIONS SUSMENTIONNÉES SE PRODUISENT, FAIRE IMMÉDIATEMENT APPEL À UN MÉDECIN.

FAIRE ATTENTION : IL EXISTE LE RISQUE QUE LES ENFANTS S'ENFERMENT À L'INTÉRIEUR DU LAVE-VAISSELLE !



NE PAS INTRODUIRE DE SOLVANTS COMME DE L'ALCOOL OU DE LA TÉRÉBENTHINE, CAR ILS PEUVENT PROVOQUER DES EXPLOSIONS.



NE PAS VERSER DU PRODUIT DE LAVAGE EN POUDRE ET/OU LIQUIDE DANS LE RÉSERVOIR DU LIQUIDE DE RINÇAGE, CAR CELUI-CI PEUT S'ENDOMMAGER.

NE PAS VERSER DU PRODUIT DE LAVAGE EN POUDRE ET/OU LIQUIDE DANS LE RÉSERVOIR DE L'ADOUCCISSEUR, CAR CELUI-CI PEUT S'ENDOMMAGER.

NE PAS UTILISER DES PRODUITS DE LAVAGE POUR USAGE INDUSTRIEL; ILS PEUVENT ENDOMMAGER LES MATÉRIAUX QUI CONSTITUENT L'APPAREIL ET PROVOQUER DES RÉACTIONS CHIMIQUES VIOLENTES (PAR EX. GAZ EXPLOSIF).



NE PAS INTRODUIRE DE LA VAISSELLE TACHÉE DE CENDRES, DE CIRE OU DE PEINTURE / VERNIS.



NE PAS INTRODUIRE DANS L'APPAREIL DE LA VAISSELLE EN PLASTIQUE SENSIBLE AUX TEMPÉRATURES ÉLEVÉES COMME, PAR EXEMPLE, DES COUVERTS OU RÉCIPIENTS JETABLES, CAR ILS PEUVENT SE DÉFORMER. NE PAS LAVER DES OBJETS EN PLASTIQUE S'ILS NE REPORTENT PAS L'INSCRIPTION "LAVABLE AU LAVE-VAISSELLE" OU UNE INDICATION SIMILAIRE. EN CAS D'OBJETS NON MARQUÉS, CONTRÔLER LES INDICATIONS DU FABRICANT; EN CAS D'ABSENCE D'INFORMATIONS, NE PAS LAVER CES OBJETS DANS LE LAVE-VAISSELLE.



NE PAS INTRODUIRE D'ANIMAUX DANS LE LAVE-VAISSELLE.



SI L'ON OUVRE LA PORTE DU LAVE-VAISSELLE PENDANT LE FONCTIONNEMENT, IL EXISTE LE RISQUE DE BRÛLURES À CAUSE DE LA CHALEUR PRÉSENTE À L'INTÉRIEUR DE L'APPAREIL; NE PAS S'EXPOSER À LA VAPEUR QUI SORT DU LAVE-VAISSELLE ET NE PAS TOUCHER LES COMPOSANTS QUI SE TROUVENT À L'INTÉRIEUR.

UNE FOIS LE PROGRAMME DE LAVAGE TERMINÉ OU APRÈS QU'IL A ÉTÉ INTERROMPU, ATTENDRE AU MOINS 20 MINUTES AVANT DE VIDER LE LAVE-VAISSELLE, AFIN QUE LA VAISSELLE AIT LE TEMPS DE REFROIDIR.



DANS CERTAINES SITUATIONS, DE L'HYDROGÈNE PEUT SE FORMER DANS UN SYSTÈME FONCTIONNANT AVEC DE L'EAU CHAUDE QUAND IL N'EST PAS UTILISÉ PENDANT PLUS DE DEUX SEMAINES. **L'HYDROGÈNE EST UN GAZ EXPLOSIF.** SI LE SYSTÈME À EAU CHAUDE N'A PAS ÉTÉ UTILISÉ PENDANT DEUX SEMAINES OU PLUS, AVANT D'UTILISER LE LAVE-VAISSELLE, IL FAUT OUVRIR TOUS LES ROBINETS DE L'EAU CHAUDE ET LAISSER L'EAU COULER PENDANT QUELQUES MINUTES. CELA PERMET L'ÉLIMINATION DES ÉVENTUELLES ACCUMULATIONS D'HYDROGÈNE. **CE GAZ ÉTANT INFLAMMABLE, NE PAS FUMER NI UTILISER DES FLAMMES NUES PENDANT CETTE OPÉRATION.**



SI L'ON S'APPUIE SUR LA PORTE OUVERTE DU LAVE-VAISSELLE OU QUE L'ON MONTE DESSUS, LE LAVE-VAISSELLE PEUT SE RENSERER, AVEC LES RISQUES CONSÉQUENTS POUR LES PERSONNES. NE PAS LAISSER LA PORTE DU LAVE-VAISSELLE OUVERTE, CAR ON PEUT LA HEURTER.

NE PAS S'APPUYER SUR LES PANIERS DU LAVE-VAISSELLE OU MONTER DESSUS.



NE PAS BOIRE L'EAU QUI EST ÉVENTUELLEMENT RESTÉE DANS LA VAISSELLE OU DANS LE LAVE-VAISSELLE.



LES COUTEAUX ET LES AUTRES USTENSILES DE CUISINE AVEC DES POINTES TRANCHANTES DOIVENT ÊTRE PLACÉS DANS LE PANIER À COUVERTS AVEC LES POINTES TOURNÉES VERS LE BAS OU EN POSITION HORIZONTALE DANS LE PANIER SUPÉRIEUR, EN VEILLANT À NE PAS SE BLESSER ET À CE QU'ILS NE DÉPASSENT PAS, DE FAÇON À ÉVITER LE RISQUE DE SE COUPER.

POSITIONNER LES OBJETS TRANCHANTS/POINTUS DE FAÇON À ÉVITER QU'ILS ENDOMMAGENT LES JOINTS DE LA PORTE.



NE PAS METTRE EN MARCHÉ LE LAVE-VAISSELLE SI LES PANNEAUX QUI LE FERMENT NE SONT PAS TOUS POSITIONNÉS CORRECTEMENT.



NE PAS MODIFIER LES COMMANDES DU LAVE-VAISSELLE.



MODÈLES DOTÉS D'AQUASTOP: L'AQUASTOP EST UN DISPOSITIF QUI EMPÊCHE LE DÉBORDEMENT EN CAS DE FUITES D'EAU. APRÈS L'INTERVENTION DE L'AQUASTOP (SIGNALÉE PAR L'AFFICHAGE DE L'ERREUR CORRESPONDANTE SUR L'AFFICHEUR), IL FAUT CONTACTER UN TECHNICIEN QUALIFIÉ POUR QU'IL TROUVE CE QUI EST À L'ORIGINE DE LA PANNE ET EFFECTUE LA RÉPARATION. DANS LES MODÈLES DOTÉS D'AQUASTOP, LE TUYAU D'ALIMENTATION EN EAU CONTIENT UNE ÉLECTROVALVE. **NE PAS COUPER LE TUYAU ET NE PAS LAISSER TOMBER L'ÉLECTROVALVE DANS L'EAU.** SI LE TUYAU D'ALIMENTATION EN EAU EST ENDOMMAGÉ, DÉBRANCHER L'APPAREIL DU RÉSEAU HYDRIQUE ET ÉLECTRIQUE.

IMMÉDIATEMENT APRÈS L'INSTALLATION, EFFECTUER UN BREF ESSAI DE L'APPAREIL (VOIR MAN. "INSTALLATION"). EN CAS DE DÉFAUT DE FONCTIONNEMENT, DÉBRANCHER L'APPAREIL DU RÉSEAU ÉLECTRIQUE ET CONTACTER LE CENTRE SAV LE PLUS PROCHE. **NE PAS ESSAYER DE RÉPARER L'APPAREIL.**



LE LAVE-VAISSELLE SATISFAIT TOUTES LES EXIGENCES PRESCRITES PAR LES NORMES DE SÉCURITÉ EN VIGUEUR CONCERNANT LES APPAREILS ÉLECTRIQUES. LES ÉVENTUELS CONTRÔLES TECHNIQUES DOIVENT ÊTRE EFFECTUÉS PAR DU PERSONNEL SPÉCIALISÉ ET AUTORISÉ : **LES RÉPARATIONS EFFECTUÉES PAR DU PERSONNEL NON AUTORISÉ COMPORTENT NON SEULEMENT L'ANNULATION DE LA GARANTIE, MAIS PEUVENT ÉGALEMENT ÊTRE UNE SOURCE DE RISQUE POUR L'UTILISATEUR.**




*POUR LE NETTOYAGE ET L'ENTRETIEN DE L'APPAREIL: AVANT D'EFFEC-
TUER L'ENTRETIEN DE L'APPAREIL, DÉBRANCHER LA FICHE OU COU-
PER L'ALIMENTATION AU MOYEN DU DISPOSITIF D'INTERRUPTION
OMNIPOLAIRE.*



*IL FAUT ENLEVER LA PORTE DE LA CUVE DE LAVAGE ET COUPER
L'ALIMENTATION ÉLECTRIQUE À L'APPAREIL QUAND ON DÉPOSE
UN ANCIEN LAVE-VAISSELLE POUR DES RÉPARATIONS OU POUR
LE REMPLACEMENT DÉFINITIF.*



*LE SYMBOLE  PRÉSENT SUR L'APPAREIL OU SUR LA DOCU-
MENTATION QUI L'ACCOMPAGNE INDIQUE QUE CE PRODUIT NE
PEUT EN AUCUN CAS ÊTRE TRAITÉ COMME DÉCHET MÉNAGER.
IL DOIT PAR CONSÉQUENT ÊTRE REMIS À UN CENTRE DE COL-
LECTE DES DÉCHETS CHARGÉ DU RECYCLAGE DES ÉQUIPEMENTS
ÉLECTRIQUES ET ÉLECTRONIQUES. POUR LA MISE AU REBUT, RES-
PECTER LES NORMES RELATIVES À L'ÉLIMINATION DES DÉCHETS
EN VIGUEUR DANS LE PAYS D'INSTALLATION. POUR OBTENIR DE
PLUS AMPLES DÉTAILS AU SUJET DU TRAITEMENT, DE LA RÉCU-
PÉRATION ET DU RECYCLAGE DE CET APPAREIL, S'ADRESSER AU
BUREAU COMPÉTENT DE LA COMMUNE, À LA SOCIÉTÉ DE COL-
LECTE DES DÉCHETS OU DIRECTEMENT AU REVENDEUR.*



*EN PROCÉDANT CORRECTEMENT À LA MISE AU REBUT DE CET AP-
PAREIL, ON CONTRIBUE À ÉVITER TOUTE CONSÉQUENCE NUISIBLE
POUR L'ENVIRONNEMENT ET LA SANTÉ DE L'HOMME.*



***LE FABRICANT DÉCLINE TOUTE RESPONSABILITÉ POUR LES
DOMMAGES AUX PERSONNES, AUX CHOSSES ET AUX ANIMAUX
PROVOQUÉS PAR L'INOBSERVANCE DES PRESCRIPTIONS SUS-
MENTIONNÉES OU DÉRIVANT DE LA MODIFICATION ABUSIVE,
NE SERAIT-CE QUE D'UNE SEULE PARTIE, DE L'APPAREIL ET DE
L'UTILISATION DE PIÈCES DE RECHANGE NON D'ORIGINE.
EN CAS DE DOUTES SUR LE CONTENU DU MANUEL, CONTACTER
LE SERVICE APRÈS-VENTE.***



*NE PAS UTILISER DE NETTOYEURS À VAPEUR POUR L'ENTRETIEN DU
LAVE-VAISSELLE.*



***ATTENTION : CERTAINS DÉTERGENTS POUR LAVE-VAISSELLE SONT
TRÈS ALCALINS. EN CAS D'INGESTION, ILS PEUVENT ÊTRE EXTRÊME-
MENT DANGEREUX. ÉVITER TOUT CONTACT AVEC LA PEAU ET LES
YEUX, ET GARDER LES ENFANTS À UNE DISTANCE DE SÉCURITÉ DU
LAVE-VAISSELLE LORSQUE LA PORTE EST OUVERTE. CONTRÔLER QUE
LE BAC À DÉTERGENT EST VIDE À LA FIN DU CYCLE DE LAVAGE.***

3 INSTRUCTIONS POUR L'INSTALLATION ET LA POSE

Pour le détail des opérations à exécuter pour l'installation et la pose, consulter le manuel d'installation ci-joint.

Nous reportons ci-après quelques avertissements à respecter lors des phases d'installation et pose du lave-vaisselle.



PENDANT L'INSTALLATION, FAIRE ATTENTION AUX BORDS TRANCHANTS SUR LE LAVE-VAISSELLE ; POUR ÉVITER DE SE BLESSER, METTRE DES GANTS DE SÉCURITÉ.



L'INSTALLATION ET LES INTERVENTIONS DE RÉPARATION OU ASSISTANCE DOIVENT ÊTRE EXÉCUTÉES PAR DU PERSONNEL TECHNIQUE QUALIFIÉ ET AUTORISÉ. LES INTERVENTIONS EXÉCUTÉES PAR DU PERSONNEL NON AUTORISÉ PEUVENT ÊTRE DANGEREUSES ET, DE PLUS, COMPORTENT LA PERTE DE LA GARANTIE. L'INSTALLATION DOIT ÊTRE EXÉCUTÉE CONFORMÉMENT AUX DIRECTIVES DU PAYS D'INSTALLATION DU LAVE-VAISSELLE ET, À DÉFAUT DE CELLES-CI : AUX ÉTATS-UNIS, LE NATIONAL ELECTRIC CODE ; AU CANADA, LE CANADIAN ELECTRIC CODE C22.1 - LATEST EDITION/ PROVINCIAL AND MUNICIPAL CODES AND/OR LOCAL CODES.



IL EST **FORMELLEMENT INTERDIT** D'ENCASTRER LE LAVE-VAISSELLE SOUS UNE TABLE DE CUISSON EN VITROCÉRAMIQUE. IL EST POSSIBLE D'ENCASTRER LE LAVE-VAISSELLE SOUS UNE TABLE DE CUISSON TRADITIONNELLE À CONDITION QUE LE PLAN DE TRAVAIL DE LA CUISINE SOIT **CONTINU** ET QUE LE LAVE-VAISSELLE ET LA TABLE DE CUISSON SOIENT **MONTÉS ET FIXÉS CORRECTEMENT**, DE FAÇON À **N'EN-TRAÎNER AUCUN RISQUE**.



PRÉVENIR LES RISQUES D'ENGORGEMENT OU DE DOMMAGE: SI LA TUYAUTERIE DE L'EAU EST NEUVE OU QU'ELLE EST RESTÉE INACTIVE PENDANT LONGTEMPS, AVANT DE PROCÉDER AU RACCORDEMENT AU RÉSEAU DE DISTRIBUTION D'EAU, S'ASSURER QUE L'EAU QUI SORT EST CLAIRE ET SANS IMPURETÉS AFIN D'ÉVITER D'ENDOMMAGER L'APPAREIL. **POUR LE RACCORDEMENT DU LAVE-VAISSELLE AU RÉSEAU HYDRIQUE, UTILISER EXCLUSIVEMENT DES TUYAUX NEUFS; NE PAS RÉUTILISER DE VIEUX TUYAUX OU DES TUYAUX USÉS.**



CONTRÔLER QUE LES VALEURS DE TENSION ET DE FRÉQUENCE DE RÉSEAU CORRESPONDENT À CELLES REPORTÉES SUR LA PLAQUE D'IDENTIFICATION DE L'APPAREIL, PLACÉE SUR LE BORD INTERNE DE LA PORTE.



SI LE CORDON D'ALIMENTATION EST ENDOMMAGÉ, LE FAIRE REMPLACER PAR LE FABRICANT OU PAR UN CENTRE SAV AGRÉÉ.
L'INSTALLATION DE CET APPAREIL ÉLECTROMÉNAGER DOIT PRÉVOIR SA MISE À LA TERRE. EN CAS DE PANNES OU ANOMALIES, LA MISE À LA TERRE LIMITE LE RISQUE D'ÉLECTRISATION, EN FOURNISSANT UN PARCOURS DE MOINDRE RÉSISTANCE AU COURANT ÉLECTRIQUE.



AVANT DE PROCÉDER À L'EXÉCUTION DU BRANCHEMENT ÉLECTRIQUE, COUPER L'ALIMENTATION ÉLECTRIQUE DANS LA ZONE DE POSITIONNEMENT.



CONTRÔLER QUE L'INSTALLATION ÉLECTRIQUE DU LIEU D'INSTALLATION EST CONFORME AUX LOIS EN VIGUEUR DANS LE PAYS D'UTILISATION DE L'APPAREIL ET QU'ELLE EST DOTÉE DE MISE À LA TERRE.



CET APPAREIL DOIT ÊTRE RACCORDÉ À LA TERRE. EN CAS DE PANNES OU ANOMALIES, LA MISE À LA TERRE LIMITE LE RISQUE D'ÉLECTRISATION, EN FOURNISSANT UN PARCOURS DE MOINDRE RÉSISTANCE AU COURANT ÉLECTRIQUE. CET APPAREIL ÉLECTROMÉNAGER EST MUNI D'UN CORDON D'ALIMENTATION DOTÉ DE CONDUCTEUR ET FICHE POUR LA MISE À LA TERRE. LA FICHE DOIT ÊTRE INSÉRÉE DANS UNE PRISE ADAPTÉE, INSTALLÉE ET BRANCHÉE À LA TERRE CONFORMÉMENT AUX LOIS EN VIGUEUR DANS LE PAYS D'INSTALLATION.



LE BRANCHEMENT INCORRECT DU CONDUCTEUR DE TERRE DE L'APPAREIL ÉLECTROMÉNAGER PEUT ENTRAÎNER DES RISQUES D'ÉLECTRISATION. EN CAS DE DOUTES SUR LA MISE À LA TERRE CORRECTE DE L'APPAREIL, CONTACTER UN ÉLECTRICIEN QUALIFIÉ OU LE PERSONNEL DU SERVICE APRÈS-VENTE. NE PAS MODIFIER LA FICHE FOURNIE AVEC L'APPAREIL ÉLECTROMÉNAGER. SI LA FICHE N'EST PAS ADAPTÉE À LA PRISE, S'ADRESSER À UN ÉLECTRICIEN QUALIFIÉ POUR FAIRE INSTALLER UNE PRISE ADAPTÉE.



LE REMPLACEMENT DU CORDON D'ALIMENTATION DOIT ÊTRE EFFECTUÉ PAR LE FABRICANT OU PAR UN CENTRE SAV AGRÉÉ AFIN D'ÉVITER TOUT RISQUE.



NE PAS UTILISER DES PROLONGATEURS, ADAPTATEURS OU DÉRIVATEURS, CAR ILS PEUVENT PROVOQUER DES SURCHAUFFES EN ENTRAÎNANT DES RISQUES D'INCENDIE.

4 INSTRUCTION POUR L'UTILISATION



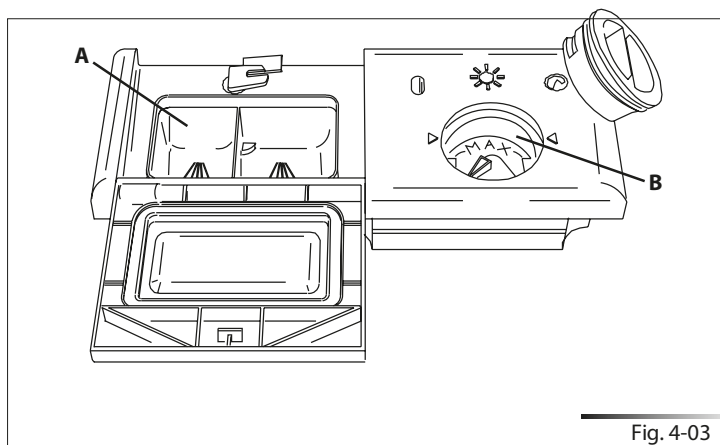
AVANT D'UTILISER L'APPAREIL, S'ASSURER D'AVOIR LU ET COMPRIS TOUS LES AVERTISSEMENTS REPORTÉS DANS LE CHAPITRE 2 "AVERTISSEMENTS SUR LA SÉCURITÉ ET L'UTILISATION".

Après avoir installé correctement le lave-vaisselle, le mettre en service en effectuant les opérations suivantes :

- régler l'adoucisseur d'eau;
- remplir de sel régénérant;
- remplir de liquide de rinçage et charger le produit de lavage.

4.1 Utilisation du distributeur de produit de lavage et du doseur de liquide de rinçage

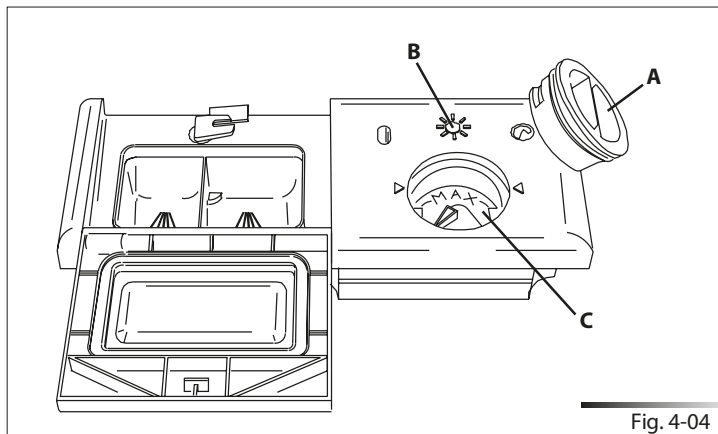
Le distributeur de produit de lavage et le doseur du liquide de rinçage se trouvent du côté interne de la porte : le **distributeur à gauche** (réf. A fig. 4-03) et le **doseur à droite** (réf. B fig. 4-03).



À L'EXCEPTION DU PROGRAMME **TREMPAGE**, IL FAUT INTRODUIRE DANS LE **DISTRIBUTEUR** LA DOSE ADÉQUATE DE PRODUIT DE LAVAGE AVANT CHAQUE LAVAGE. LE LIQUIDE DE RINÇAGE DOIT EN REVANCHE ÊTRE AJOUTÉ UNIQUEMENT QUAND CELA EST NÉCESSAIRE.

4.1.1 Ajout du liquide de rinçage

Le liquide de rinçage accélère le séchage de la vaisselle et évite la formation de taches et de dépôts de calcaire ; il est automatiquement ajouté à l'eau au cours du dernier rinçage depuis le réservoir qui se trouve sur le côté intérieur de la porte.



Pour ajouter le liquide de rinçage:

- ouvrir la porte du lave-vaisselle;
- dévisser le bouchon (réf. A fi g. 4-04) du réservoir de $\frac{1}{4}$ de tour dans le sens inverse des aiguilles d'une montre et l'enlever;
- verser le liquide de rinçage jusqu'à remplir le réservoir (140 ml environ); l'indicateur optique (réf. B fi g. 4-04) situé à côté du bouchon doit s'obscurcir complètement ; rajouter du liquide de rinçage quand l'indicateur optique devient clair ou que le symbole qui signale l'absence de liquide de rinçage s'allume sur l'afficheur (voir man. "Description des commandes").
- Remettre le bouchon (réf. A fi g. 4-04) et le visser dans le sens des aiguilles d'une montre jusqu'à le fermer complètement.
- À l'aide d'un chiffon, nettoyer le liquide de rinçage qui a éventuellement débordé car il peut produire de la mousse

4.1.2 Réglage du dosage du liquide de rinçage

Le dosage du liquide de rinçage peut être réglé sur 6 niveaux. À l'usine, le lave-vaisselle est réglé sur le niveau moyen (indicateur du sélecteur positionné sur "3"). Pour régler le dosage, tourner le sélecteur (réf. C fi g. 4-04) situé à l'intérieur du doseur sur la position souhaitée. La dose sera proportionnelle à la position du sélecteur : la dose minimum de liquide de rinçage (indicateur du sélecteur positionné sur "1 ") est d'environ 1 ml, tandis que la dose maximum (indicateur du sélecteur positionné sur "6") est d'environ 6 ml.

- Pour accéder au réglage du doseur, il faut tourner le bouchon du réservoir (réf. A fig. 4-04) du réservoir de $\frac{1}{4}$ de tour dans le sens inverse des aiguilles d'une montre et l'enlever.
- Ensuite, à l'aide d'un tournevis, tourner le sélecteur du dosage sur la position désirée.
- Remettre le bouchon (réf. A fig. 4-04) et le visser dans le sens des aiguilles d'une montre jusqu'à le fermer complètement.
- La dose de liquide de rinçage doit être augmentée quand la vaisselle est opaque ou qu'elle présente des taches circulaires.
- Si, en revanche, la vaisselle est collante ou qu'elle présente des rayures blanchâtres, il faut réduire la dose de liquide de rinçage.

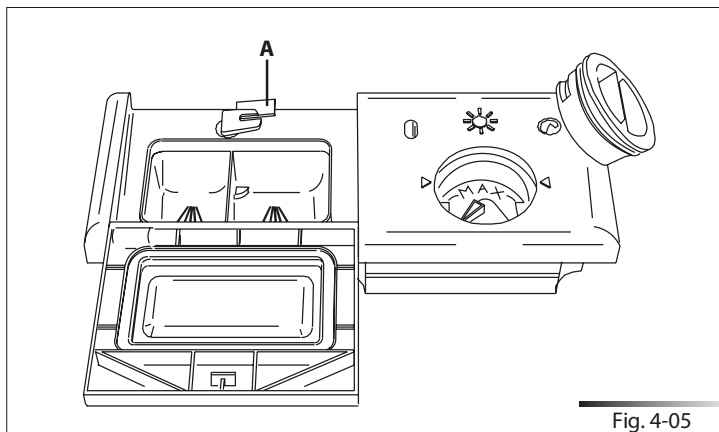
4.1.3 Chargement du produit de lavage

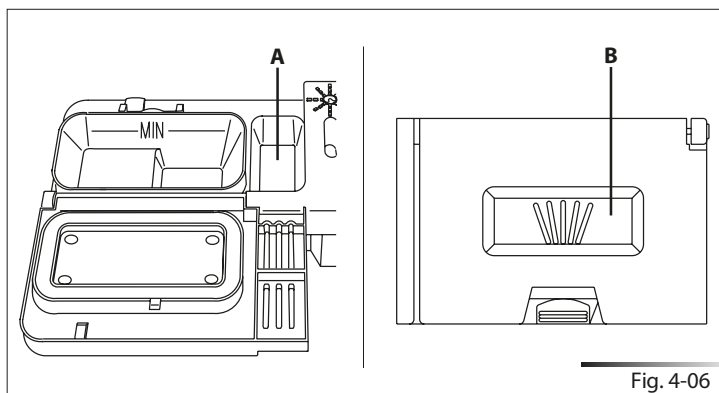


NE PAS INHALER NI INGÉRER LE PRODUIT DE LAVAGE ; IL PEUT PROVOQUER DES BRÛLURES ET/OU DES LÉSIONS IRRÉPARABLES AU NEZ, À LA BOUCHE ET À LA GORGE ET MÊME PROVOQUER L'ASPHYXIE ; ÉVITER QUE LE PRODUIT DE LAVAGE ENTRE EN CONTACT AVEC LES YEUX. SI LES SITUATIONS SUSMENTIONNÉES SE PRODUISENT, FAIRE IMMÉDIATEMENT APPEL À UN MÉDECIN.

IL FAUT ÉVITER QUE LES ENFANTS PUISSENT ENTRER EN CONTACT AVEC LE PRODUIT DE LAVAGE ; LES TENIR À L'ÉCART DU LAVE-VAISSELLE OUVERT CAR IL PEUT CONTENIR DES RÉSIDUS DE PRODUIT DE LAVAGE. CHARGER LE PRODUIT DE LAVAGE JUSTE AVANT DE DÉMARRER LE PROGRAMME DE LAVAGE, PUIS LE RANGER HORS DE LEUR PORTÉE.

Pour ouvrir le couvercle du distributeur de produit de lavage, appuyer légèrement sur le bouton prévu à cet effet (réf. A fig. 4-05). Remplir le distributeur de produit de lavage et fermer correctement le couvercle. Le couvercle du distributeur s'ouvre automatiquement durant le lavage.





- Quand on sélectionne un programme avec le pré-lavage à chaud (lire le tableau programmes reporté dans le manuel "Description des commandes"), ajouter une quantité supplémentaire de produit de lavage dans la cavité (réf. A ou B fig. 4-06, selon les modèles).
- **N'utiliser que** des produits de lavage spécifiques pour lave-vaisselle. L'emploi de produits de lavage de bonne qualité est important pour obtenir d'excellents résultats de lavage.
- Ranger les emballages de produit de lavage bien fermés dans un endroit sec afin d'éviter la formation de grumeaux qui compromettraient les résultats de lavage. Après leur ouverture, les produits ne doivent pas être gardés trop longtemps car le produit de lavage perd de son efficacité.
- Ne pas utiliser de produits de lavage pour laver la vaisselle à la main, car ils produisent beaucoup de mousse et peuvent compromettre le fonctionnement du lave-vaisselle.
- Doser correctement la quantité de produit de lavage, car une quantité insuffisante provoque une élimination incomplète de la saleté, tandis qu'une quantité excessive n'augmente pas l'efficacité du lavage et ne constitue qu'un gaspillage.
- Dans le commerce, il existe des produits de lavage liquides et en poudre qui se différencient par leur composition chimique : ils peuvent soit contenir des **phosphates** soit en être dépourvus mais contenir des **enzymes naturelles**.
- Les produits de lavage avec **phosphates** exercent une action plus efficace sur les graisses et sur les amidés **au-delà de 60°C (140°F)**.
- Les produits de lavage enzymatiques exercent en revanche leur force nettoyante également aux basses températures (**de 40 à 55°C / de 104 à 131°F**) et sont plus facilement biodégradables. Ces produits de lavage permettent d'atteindre, à de basses températures, les mêmes résultats de lavage que l'on ne pourrait obtenir qu'avec des programmes à 65°C (149°F). Pour la protection de l'environnement, nous conseillons l'emploi de produits de lavage **sans phosphates ni chlore**.

- Quand on utilise du produit de lavage en pastilles, celles-ci devraient être placées dans le panier à couverts. Le distributeur est conçu pour l'emploi de produit de lavage en poudre ou liquide et le couvercle ne s'ouvre pas complètement pendant le cycle de lavage ; ainsi, la pastille peut ne pas se dissoudre complètement. Cela peut déterminer:
 - une quantité insuffisante de produit de lavage relâché pendant le cycle avec des résultats de lavage médiocres;
 - l'accumulation du produit de lavage dans le distributeur et son relâchement pendant le cycle de rinçage final.



L'INTRODUCTION DE PRODUIT DE LAVAGE, MÊME LIQUIDE, DANS LE RÉSERVOIR DU LIQUIDE DE RINÇAGE ENDOMMAGE LE LAVE-VAISSELLE.

4.2 Avertissements et conseils généraux

Avant de procéder au premier lavage avec le lave-vaisselle, il est conseillé de lire les paragraphes suivants concernant la nature de la vaisselle à laver et son positionnement dans les paniers. Il n'existe généralement pas de limites quant au lavage de la vaisselle d'usage domestique, mais dans certains cas il faut tenir compte de ses caractéristiques. Avant de mettre la vaisselle dans les paniers, il faut :

- éliminer les restes de nourriture les plus gros, comme les os ou les arêtes, qui pourraient non seulement engorger le filtre, mais aussi endommager la pompe de lavage ;

- faire tremper les casseroles ou les poêles qui présentent sur leur fond des résidus de nourriture brûlée afin que ces derniers se détachent plus facilement ; les placer ensuite dans le PANIER INFÉRIEUR.

Utiliser l'option "**demi-charge**" (si présente) pour laver de petites quantités de vaisselle ; elle permet de réaliser une économie d'eau et d'énergie électrique. Dans ce cas, **charger uniquement le panier sélectionné pour le lavage demi-charge**, l'autre panier doit rester vide. Effectuer un pré-lavage de la vaisselle sous l'eau courante avant de la charger dans les paniers est un inutile gaspillage d'eau. **Une disposition correcte de la vaisselle assure de bons résultats de lavage.**

ATTENZIONE!

- S'assurer que la vaisselle est positionnée de manière stable, qu'elle ne peut pas se renverser et qu'elle n'entrave pas la rotation des bras de lavage durant le fonctionnement ;
- ne pas introduire de petits objets dans les paniers ; en tombant, ils peuvent bloquer les bras de lavage ou la pompe de lavage ;
- les récipients tels que les tasses, les bols, les verres et les casseroles doivent toujours être disposés avec l'ouverture vers le bas et, si possible, avec les cavités inclinées pour permettre l'écoulement de l'eau (par ex. le pied concave de certains verres) ;
- ne pas disposer les articles de vaisselle les uns dans les autres ou de sorte qu'ils se couvrent réciproquement ;
- ne pas disposer les verres trop près les uns des autres car, en se touchant, ils peuvent se casser ou rester tachés.

S'ASSURER que la vaisselle est adaptée au lavage en lave-vaisselle.

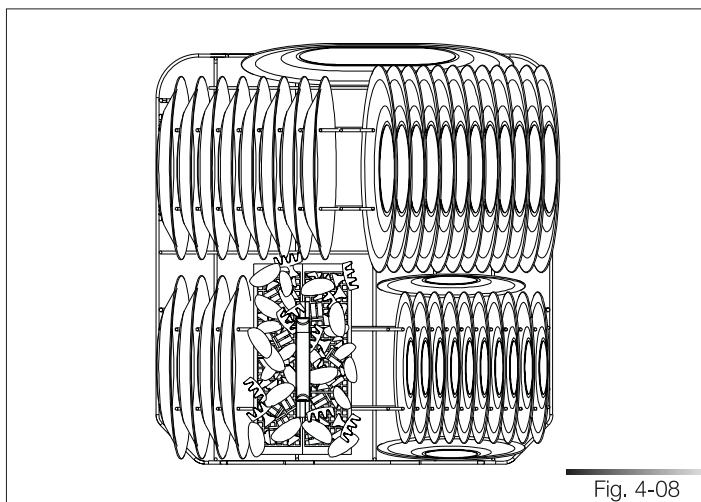
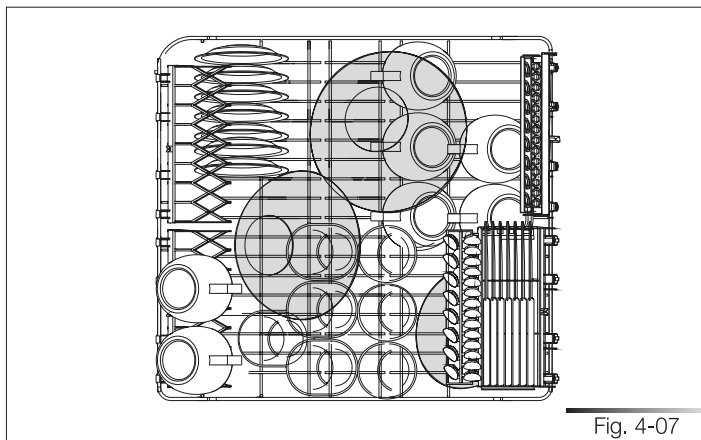
Nous reportons ci-après une liste de vaisselle non adaptée au lavage en lave-vaisselle.

- **Casseroles et vaisselle en bois** : elles peuvent s'abîmer à cause des températures de lavage élevées.
- **Objets d'artisanat** : ils peuvent rarement être lavés dans un lave-vaisselle. Les températures relativement élevées de l'eau et les produits de lavage utilisés peuvent les endommager.
- **Objets légers** : les objets légers doivent être lavés dans le panier supérieur, où la pression de l'eau est plus faible.
- **Vaisselle et objets en cuivre, étain, zinc et laiton** : ils tendent à se tacher.
- **Vaisselle en aluminium** : la vaisselle en aluminium anodisé peut se décolorer.
- **Argenterie** : la vaisselle en argent peut se tacher.

- **Verre et cristal** : en général, les objets en verre et en cristal peuvent être lavés dans un lave-vaisselle. Cependant, il existe certains types de verre et de cristal qui deviennent opaques et qui perdent leur transparence après un certain nombre de lavages ; pour ce type de matériaux, nous conseillons de toujours utiliser le programme le moins agressif du tableau des programmes (voir le manuel "Description des commandes").
- **Vaisselle avec des décorations** : les objets décorés que l'on trouve dans le commerce ont généralement une bonne résistance aux lavages dans les lave-vaisselle, même s'il peut arriver que leurs couleurs pâlissent après des lavages fréquents. En cas de doute sur la résistance des couleurs, il est conseillé de laver peu de pièces à la fois pendant environ un mois.

4.3 Utilisation des paniers

Le lave-vaisselle a une capacité de **13 couverts**, y compris la vaisselle de service. Nous reportons ci-après des exemples pour le chargement des 13 couverts sur le panier supérieur (voir fig. 4-07) et sur le panier inférieur (voir fig. 4-08).

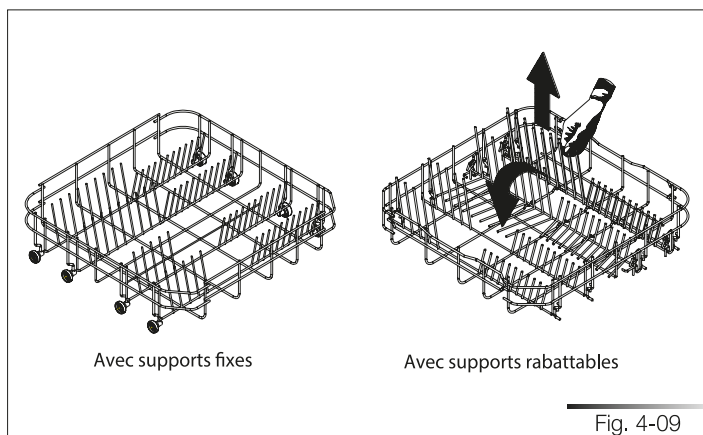


4.3.1 Panier inférieur

Le panier inférieur reçoit l'action du bras de lavage inférieur à l'intensité maximale et doit donc contenir la vaisselle la plus "difficile" et la plus sale.

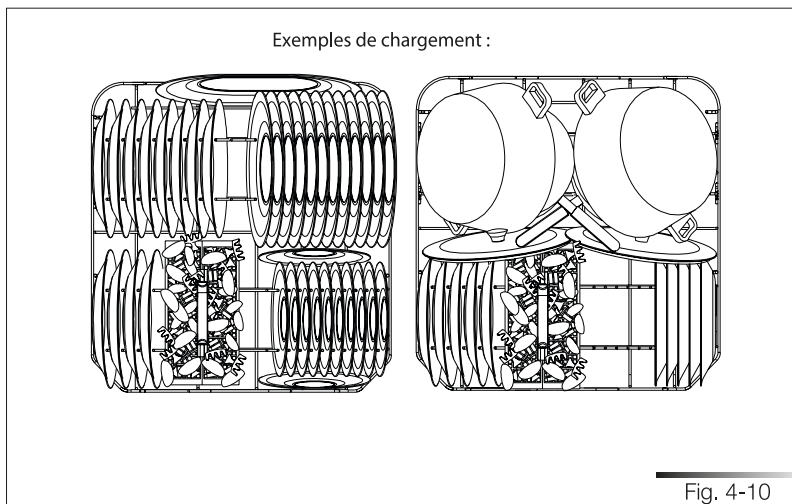
Toutes les combinaisons et variétés de chargement sont permises à condition que l'on prenne soin de disposer la vaisselle, les casseroles et les poêles de façon à ce que toutes les surfaces soient exposées aux jets d'eau provenant du bas.

Pour exploiter au maximum l'espace dans le panier lorsque l'on charge de la vaisselle de grandes dimensions, certains modèles sont dotés de supports pour assiettes rabattables en 2 ou 4 secteurs (voir fig. 4-09).



Chargement du panier inférieur (voir fig. 4-10)

Disposer soigneusement et verticalement les assiettes plates, creuses, à dessert et les plats. Les casseroles, les poêles et leurs couvercles doivent être tournés vers le bas. Disposer les assiettes creuses et à dessert en ayant toujours soin de laisser un espace entre elles.



4.3.2 Panier à couverts (voir fig. 4-11/ 4-12 selon les modèles)

Le panier à couverts est équipé de **picots porte-couverts** amovibles, dans lesquels sont placés les couverts de manière à rester suffisamment espacés pour permettre un passage optimal de l'eau. Les picots porte-couverts et le couvercle central se trouvent dans le **sachet des accessoires**. Le **couvercle central a uniquement une fonction de protection**.

Les picots peuvent être **retirés** et **utilisés séparément**.

Les couverts doivent être disposés dans le panier de façon homogène, le manche orienté vers le bas et en faisant particulièrement attention à ne pas se blesser avec la lame des couteaux. Il est destiné à contenir toute sorte de couverts, à l'exception des couverts ayant une longueur telle qu'elle interfère avec les bras de lavage supérieur. On peut disposer les louches, les cuillères en bois et les couteaux de cuisine dans le panier supérieur, **en faisant attention à ce que la pointe des couteaux ne dépasse pas du panier**.

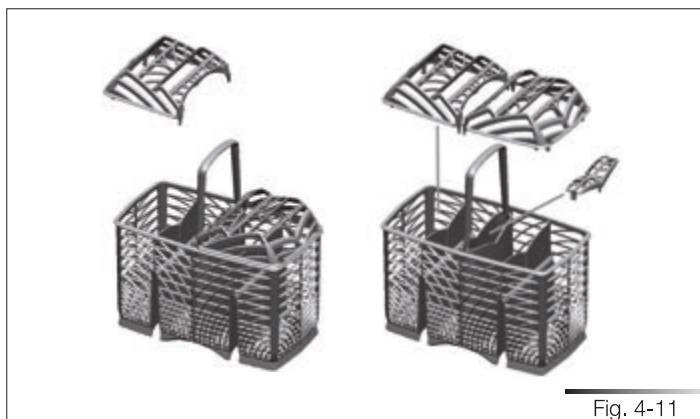


Fig. 4-11

Le panier à couverts coulisse dans le sens transversal et peut être placé à n'importe quel endroit permettant une utilisation optimale de l'espace du panier inférieur.

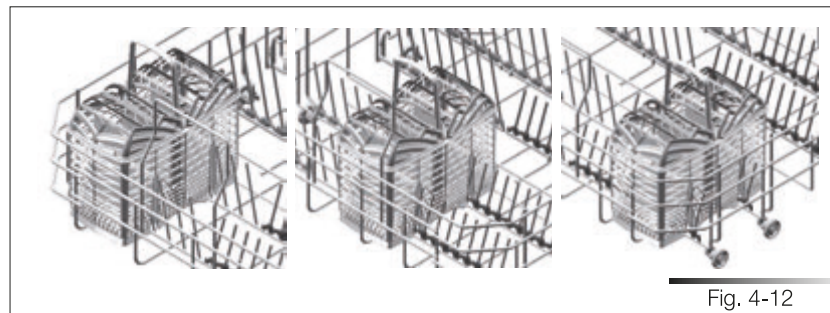


Fig. 4-12

4.3.3 Panier supérieur (voir fig. 4-13)

Selon les modèles, le panier peut être muni de certains accessoires ou de tous les accessoires suivants :

- Supports pour tasses ou objets longs (louches, cuillères...), à gauche, ils peuvent être relevés s'ils ne sont pas utilisés.
- Support pour verres à long pied (glass holder), à gauche ; pour l'utiliser, le lever et le bloquer dans les crochets prévus.
- Grilles à couverts, à droite, pour les couteaux et les petites cuillères ; pour la mise en place de ces dernières, extraire le support coulissant. Les grilles peuvent être relevées si elles ne sont pas utilisées.
- Supports centraux fixes ou mobiles. Les supports mobiles peuvent être bloqués en position verticale, posés sur le fond du panier s'ils ne sont pas utilisés, ou placés en position intermédiaire, selon les exigences.

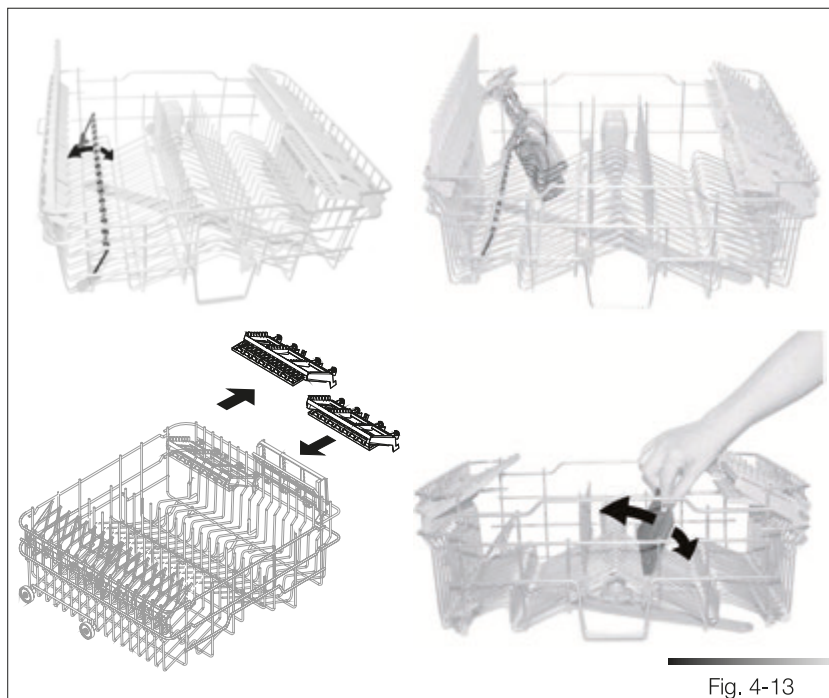


Fig. 4-13

Chargement du panier supérieur (voir fig. 4-14)

Mettre les assiettes tournées vers l'avant ; les tasses et les récipients creux doivent être placés avec l'ouverture orientée vers le bas. Le côté gauche du panier peut être chargé avec les tasses et les verres disposés sur deux niveaux. Au centre, on peut enfiler les assiettes et les soucoupes verticalement, dans les supports prévus à cet effet.

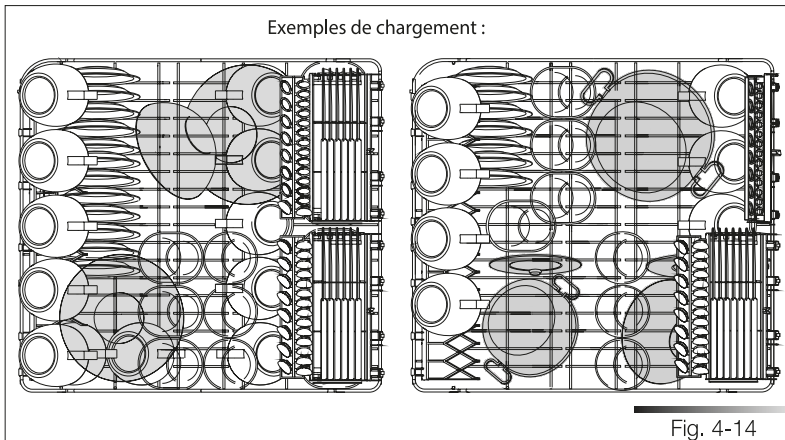


Fig. 4-14

Réglage du panier supérieur

Le panier supérieur peut être réglé sur trois positions différentes des deux côtés. Le panier doit être au même niveau des deux côtés.

Pour relever le panier (réf. A fig. 4-15), le soulever en le tirant par les deux poignées prévues à cet effet (ex. réf. B fig. 4-15) jusqu'au premier ou deuxième déclic, selon la hauteur désirée. Pour le baisser (réf. C fig. 4-15), il faut en revanche tirer vers le haut les deux leviers de déblocage (ex. réf. D fig. 4-15). Ces opérations peuvent également être effectuées avec le panier chargé ; dans ce cas, quand on le baisse, il est préférable de le retenir avec une main pour éviter que la vaisselle subisse des chocs.

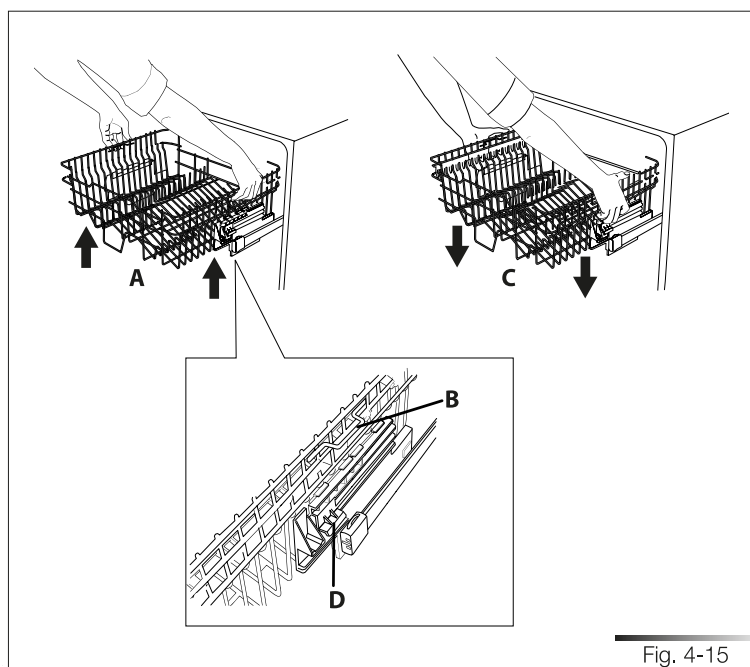


Fig. 4-15

5 INSTRUCTIONS POUR LE NETTOYAGE ET L'ENTRETIEN



AVANT TOUTE INTERVENTION, IL FAUT COUPER L'ALIMENTATION ÉLECTRIQUE À L'APPAREIL.

5.1 Avertissements et conseils généraux



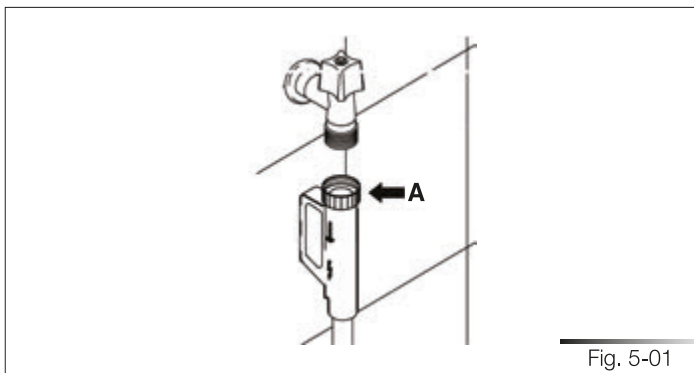
ÉVITER IMPÉRATIVEMENT DE NETTOYER L'APPAREIL AVEC DES PRODUITS DE LAVAGE ABRASIFS ET/OU CORROSIFS.

Les surfaces extérieures et la contre-porte du lave-vaisselle doivent être nettoyées périodiquement à l'aide d'un chiffon doux et propre, humidifié avec un nettoyant neutre normal (non abrasif et/ou corrosif) pour surfaces peintes. Les joints d'étanchéité de la porte devront être nettoyés avec une éponge humide. Il est conseillé de nettoyer périodiquement (une ou deux fois par an) la cuve et les joints pour éliminer la saleté qui peut se déposer en utilisant un chiffon doux et de l'eau. Éviter d'utiliser trop d'eau pour nettoyer les commandes ; l'eau peut pénétrer dans la partie électronique et endommager les composants. Une fois le nettoyage terminé, essuyer l'appareil avec un chiffon doux qui ne peluche pas.

Si l'appareil présente des surfaces en acier inox, elles peuvent être nettoyées avec un produit, non abrasif, spécifique pour l'acier inoxydable. Pour éviter la formation d'auréoles, on peut également utiliser un vaporisateur, à utiliser cependant avec parcimonie et avec des pressions modérées.

5.2 Nettoyage du filtre d'arrivée d'eau

Le filtre d'arrivée d'eau doit être nettoyé périodiquement. Après avoir fermé le robinet d'eau, dévisser la bague (réf. A fig. 5-01) du tuyau d'arrivée d'eau (utiliser une pince, si nécessaire), puis nettoyer délicatement le filtre en éliminant les dépôts et les impuretés. Une fois cette opération terminée, fixer fermement le tuyau en vissant la bague de serrage prévue à cet effet (réf. A fig. 5-01) (utiliser une pince, si nécessaire).



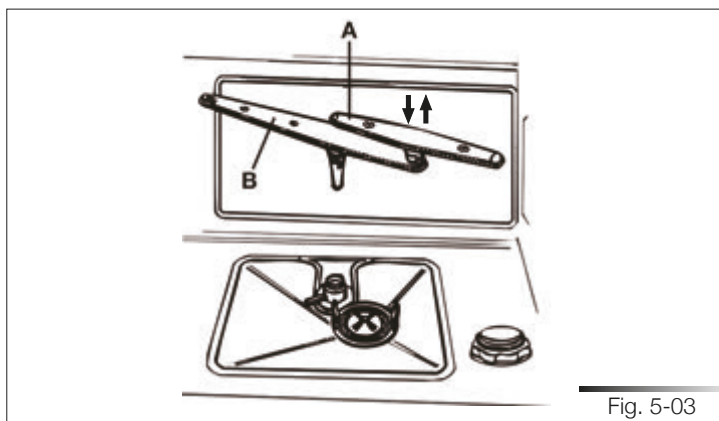
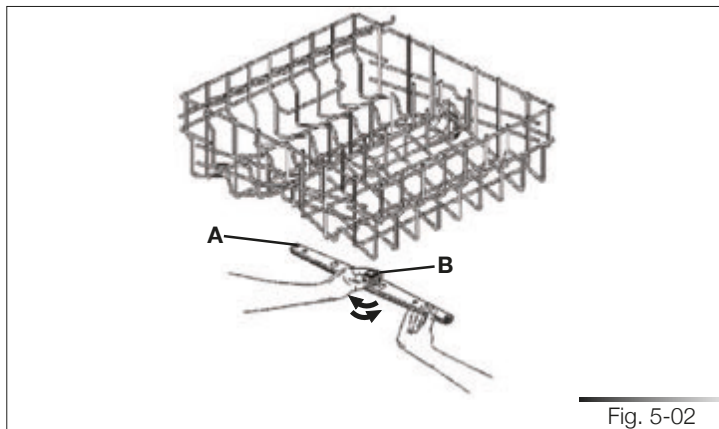
5.3 Nettoyage des bras de lavage

Les bras de lavage peuvent être facilement démontés pour permettre le nettoyage périodique des orifices afin d'éviter qu'ils se bouchent. Les laver sous un jet d'eau (à température ambiante) et les réintroduire avec précaution dans leurs sièges.

S'assurer qu'ils tournent librement ; en cas contraire, contrôler qu'ils ont été montés correctement.

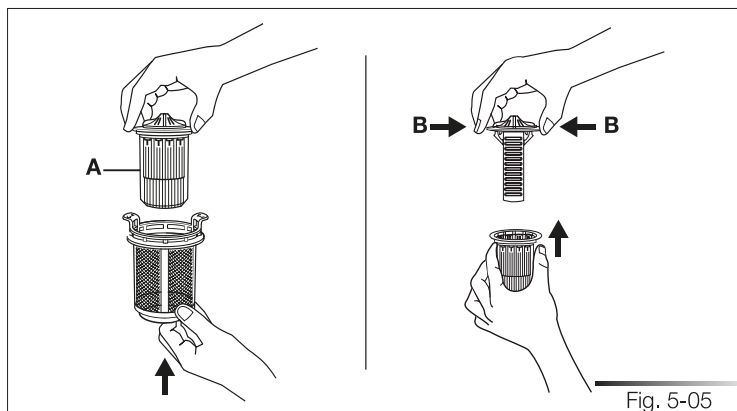
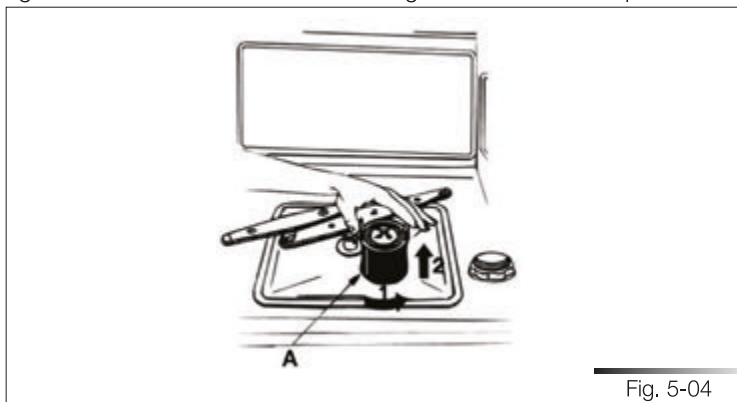
Démontage des bras de lavage

- Pour démonter le bras de lavage **supérieur** (réf. A fig. 5-02), il faut dévisser la bague de retenue (réf. B fig. 5-02) en la tournant dans le sens des aiguilles d'une montre. Une fois le nettoyage exécuté, remonter le bras de lavage dans son siège, puis visser la bague de retenue en la tournant dans le sens inverse des aiguilles d'une montre.
- Pour démonter le bras de lavage **orbital** (réf. A fig. 5-03), il faut retenir le bras de lavage inférieur (réf. B fig. 5-03) et, en même temps, soulever vers le haut le bras orbital (voir fig. 5-03). Une fois le nettoyage exécuté, remonter le bras de lavage orbital en le positionnant dans son siège et en exerçant une légère pression, de façon à l'encaster sur le bras de lavage inférieur (voir fig. 5-03). Ensuite, remonter le bras de lavage inférieur en le positionnant dans son siège et en exerçant une légère pression vers le bas, de façon à l'encaster (voir fig. 5-03).



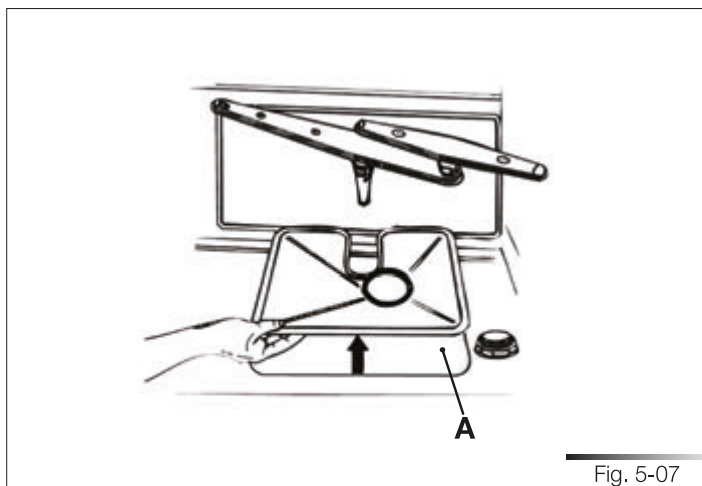
5.4 Nettoyage du groupe filtrant

- Il est conseillé de contrôler périodiquement le groupe filtrant (réf. A fig. 5-04) et, si nécessaire, de le nettoyer sous l'eau courante (à température ambiante) en utilisant une brosse dure. Pour l'enlever, il faut saisir les languettes, tourner dans le sens inverse des aiguilles d'une montre et tirer vers le haut ;
- pousser depuis le dessous le filtre central (réf. A fig. 5-05) pour l'extraire du microfiltre ;
- séparer les deux pièces qui constituent le filtre central en appuyant sur le corps du filtre dans la zone indiquée par les flèches estampillées (réf. B fig. 5-05) ;
- retirer le filtre central en le soulevant.
- Une fois le nettoyage exécuté, remonter le groupe filtrant après avoir assemblé les deux pièces du filtre central en exerçant une légère pression de façon à ce qu'elles s'encastrent ; introduire le filtre central à l'intérieur du microfiltre (voir fig. 5-05). Repositionner le groupe filtrant (réf. A fig. 5-04) dans son siège en le tournant dans le sens des aiguilles d'une montre pour le bloquer.



5.5 Instructions et conseils pour un entretien correct

- Les filtres doivent être nettoyés **à l'eau courante** (à température ambiante) avec une brosse dure.
- Il faut contrôler qu'il n'y a pas de résidus alimentaires sur le filtre **lorsqu'on le retire**. Ces résidus, en tombant dans la vidange (réf. A fig. 5-07) pourraient bloquer certains composants hydrauliques ou obstruer les orifices des bras de lavage.
- Il est indispensable de **nettoyer avec soin les filtres**, conformément aux indications susmentionnées : le lave-vaisselle ne peut pas fonctionner si les filtres sont encrassés.
- **Remettre correctement les filtres** dans leur siège afin d'éviter d'endommager la pompe de lavage.



Si le lave-vaisselle reste inutilisé pendant longtemps

- Effectuer le programme de trempage **deux fois** de suite.
- **Débrancher la fiche** de la prise de courant.
- Laisser la porte **légèrement ouverte**, de façon à empêcher la formation de mauvaises odeurs à l'intérieur de la cuve de lavage.
- **Remplir le doseur** de liquide de rinçage.
- **Fermer le robinet d'eau**.

Avant de réutiliser le lave-vaisselle après un arrêt prolongé

- Contrôler qu'il n'y a pas de **dépôts de boue ou de rouille** dans la tuyauterie d'arrivée ; si tel est le cas, laisser couler l'eau du robinet d'alimentation jusqu'à ce que l'eau qui sort soit claire.
- **Rebrancher la fiche** dans la prise de courant.
- **Raccorder le tuyau flexible d'alimentation en eau et rouvrir le robinet.**

5.6 Élimination de petits inconvénients

Il est possible d'éliminer personnellement certains inconvénients en se référant aux instructions suivantes :

Si le programme ne démarre pas, contrôler que :

- le lave-vaisselle est branché au réseau électrique ;
- la distribution d'énergie électrique n'est pas coupée ;
- le robinet d'eau est ouvert ;
- la porte du lave-vaisselle est fermée correctement.

Si de l'eau stagne dans le lave-vaisselle, contrôler que :

- le tuyau d'évacuation n'est pas étranglé ;
- le siphon de vidange n'est pas bouché ;
- les filtres du lave-vaisselle ne sont pas encrassés.

Si la vaisselle n'est pas propre, contrôler que :

- le produit de lavage a été introduit en quantité suffisante ;
- il y a du sel régénérant dans le réservoir spécifique ;
- la vaisselle a été disposée correctement ;
- le programme sélectionné est approprié au type et au degré de saleté de la vaisselle ;
- tous les filtres sont propres et correctement insérés dans leurs sièges ;
- les orifices de sortie de l'eau des bras de lavage ne sont pas bouchés ;
- aucun objet n'a bloqué la rotation des bras de lavage.

Si la vaisselle ne sèche pas ou reste opaque, contrôler que :

- il y a du liquide de rinçage dans le réservoir spécifique ;
- le réglage de la distribution du liquide de rinçage est correct ;
- le produit de lavage utilisé est de bonne qualité et qu'il n'a pas perdu ses caractéristiques (par exemple à cause d'une conservation incorrecte avec l'emballage ouvert).

Si la vaisselle présente des rayures, des taches...contrôler que :

- le réglage du dosage du liquide de rinçage n'est pas excessif.

Si des traces de rouille sont visibles dans la cuve :

- la cuve est en acier inox résistant à la corrosion, les éventuelles taches de rouille sont donc dues à des éléments externes (traces de rouille provenant de conduites de l'eau, de casseroles, de couverts, etc.). Pour éliminer ces taches, il existe dans le commerce des produits spécifiques.
- Contrôler que les doses de produit de lavage utilisées sont correctes. Certains produits de lavage peuvent être plus corrosifs que d'autres.
- Contrôler que le bouchon du réservoir à sel est fermé correctement et que le réglage de l'adoucisseur d'eau est correct.



SI LES ANOMALIES DE FONCTIONNEMENT PERSISTENT MÊME APRÈS L'APPLICATION DES INSTRUCTIONS SUSMENTIONNÉES, IL FAUT CONTACTER LE CENTRE SAV AGRÉÉ LE PLUS PROCHE.

ATTENTION : LES INTERVENTIONS EFFECTUÉES PAR DU PERSONNEL NON AUTORISÉ NE SONT PAS COUVERTES PAR LA GARANTIE ET SONT DONC À LA CHARGE DE L'USAGER.

6 **DONNÉES TECHNIQUES** (VOIR TAB. 6-01)

Largeur	59,7 cm ÷ 59,9 cm (23-1/2" ÷ 23-37/64")
Profondeur mesurée au profil extérieur du bandeau de commande	60 cm (23-5/8") - ST8646XU 55 cm (21-21/32")-ST8646U
Hauteur	da 82 cm a 89 cm 32-9/32";35-3/64"
Capacité	13 couverts standards
Pression eau d'alimentation	min.7 - max. 130 PSI (min. 0,5 – max. 9 bar)
Données électriques	Voir plaque des caractéristiques
Tab. 6-01	

Porter&Charles

Porter & Charles Incorporated

Telephone 1-866.699.4973

Telephone 905-829.8389

Facsimile 905-829.8409

Email sales@porterandcharles.com