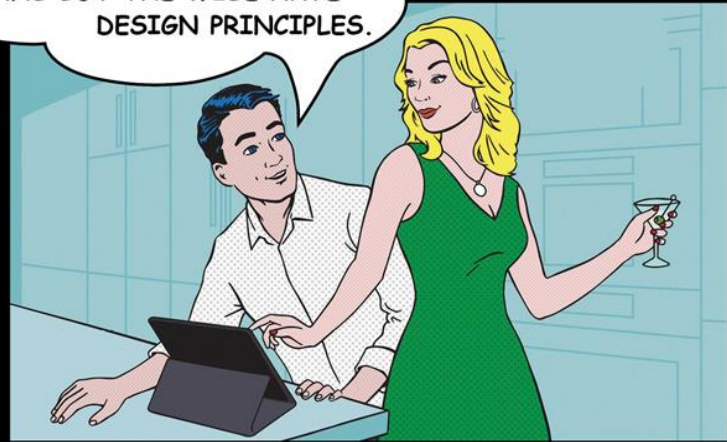


HELP! THE ONLY REASON I HAVE A KITCHEN IS THAT IT CAME WITH THE HOUSE.

THE INTELLIGENT HAVE PLANS BUT THE WISE HAVE DESIGN PRINCIPLES.



DW4FI / SS
24" Fully Integrated Compact Dishwasher

Porter & Charles

2016 SPECIFICATION SHEET

DW4FI / SS

24" Fully Integrated Compact Dishwasher

Delivering state-of-the-art performance without compromise. These European, ENERGY STAR® rated dishwashers are designed to provide the best possible results for cleanliness, shine, dryness, time, noise, water and energy consumption.



DW4FI



DW4SS

DISHWASHER PROGRAMS

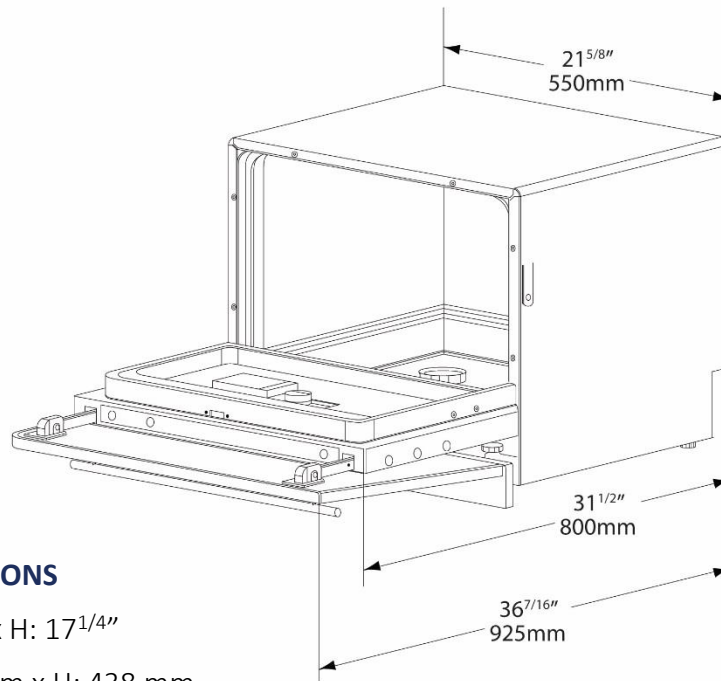
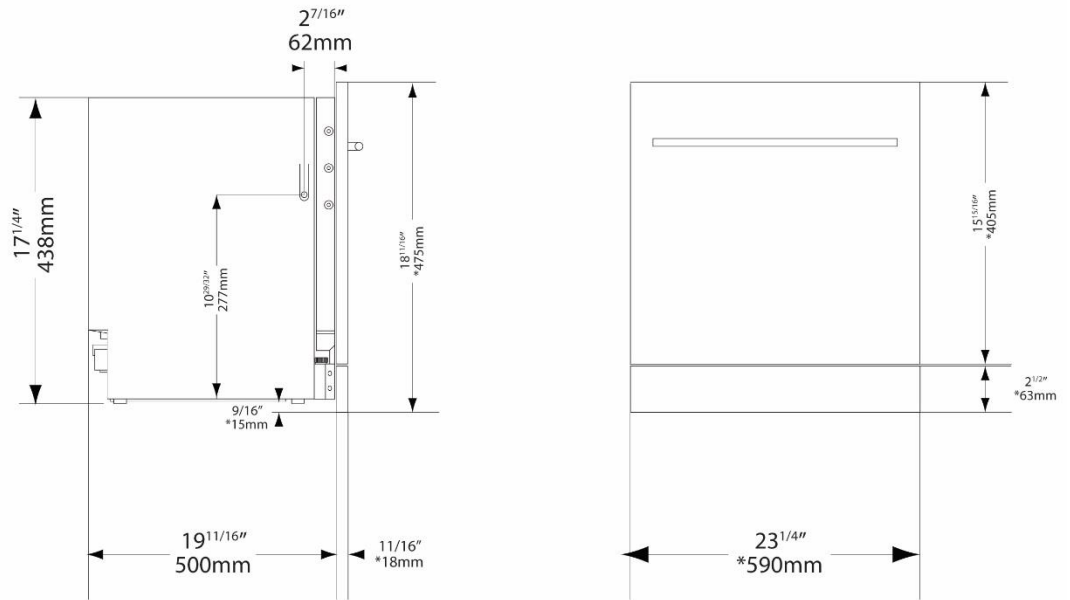
- Rinse
- Crystal wash 45°C/113°F
- Normal wash 55°C/131°F
- Auto Delicate 55°C/131°F
- Extreme wash at 70°C/158°

DISHWASHER FEATURES

- 24" (60cm) built-in compact dishwasher – stainless steel
- 18" (45cm) high
- Stainless steel interior tank
- 4 place setting capacity
- 8.3L of cold water for normal wash
- Near silent operation
- Electronic controls
- Delay timer: 1-24 hours
- 7 programs
- LED indicator for remaining time, delay time, temperature, fill rinse aid, program, on/off, and service code
- Flowmeter water sensor
- Fuzzy logic
- Antiflood device – floating switch
- Inline water heating element
- Foldable bottom tines
- Residual drying system
- Cold or hot water intake
- 110V/60Hz 1280W
- European style electrical and plumbing connection

SPECIFICATIONS

DW4FI / SS



DISHWASHER DIMENSIONS

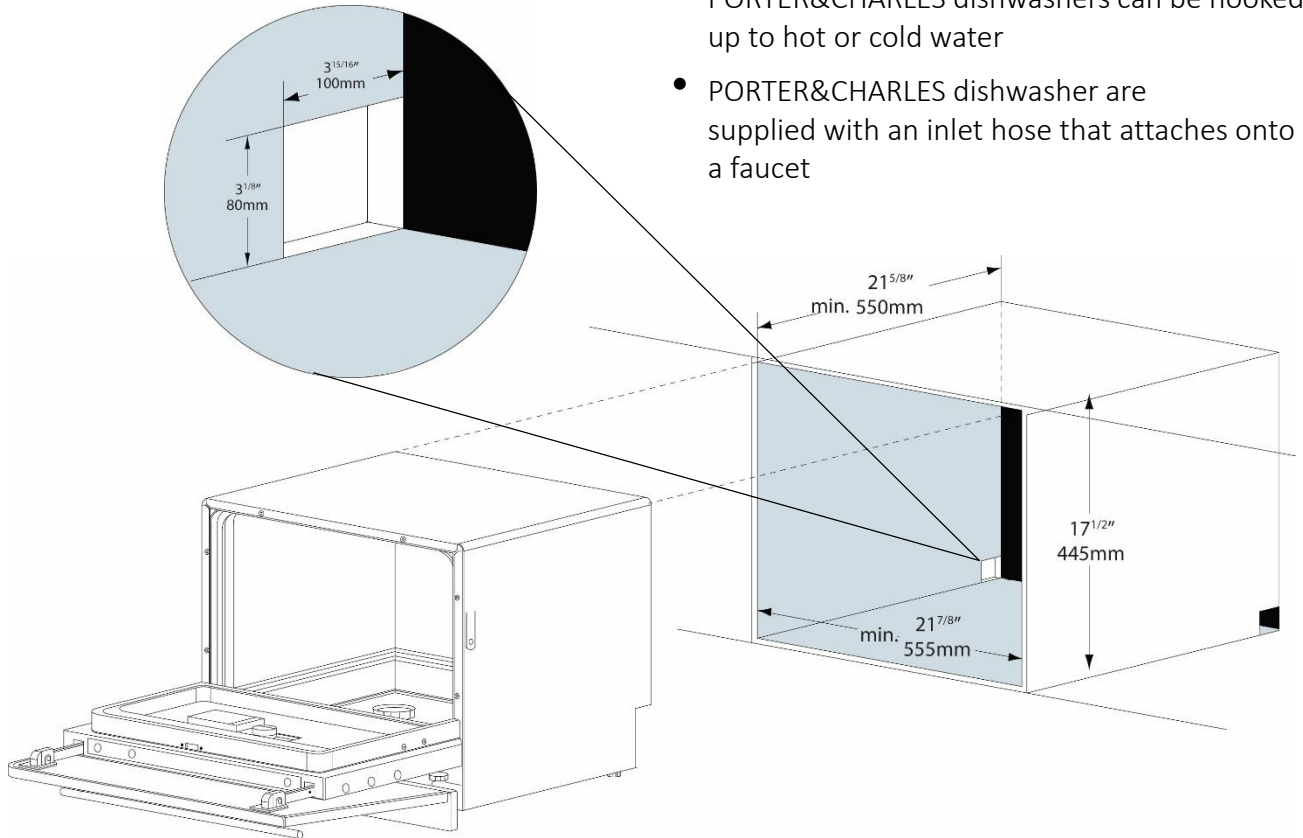
- D: $19\frac{11}{16}''$ x W: $21\frac{5}{8}''$ x H: $17\frac{1}{4}''$
- D: 500 mm x W: 550 mm x H: 438 mm

SPECIFICATIONS

DW4FI / SS

WATER SUPPLY

- PORTER&CHARLES dishwashers can be hooked up to hot or cold water
- PORTER&CHARLES dishwasher are supplied with an inlet hose that attaches onto a faucet




ELECTRICAL REQUIREMENTS

- 110 Volt, 60Hz, 1280W
- Supplied with Canadian cord and plug

CUSTOM PANEL DIMENSIONS

- Small Panel
W: min. $23\frac{1}{4}''$ (590mm) x H: min. $2\frac{1}{2}''$ (63mm)
- Main Door Panel
W: min. $23\frac{1}{4}''$ (590mm) x H: min. $15\frac{15}{16}''$ (405mm)



A MEAL WITHOUT
WINE IS CALLED
BREAKFAST.



WICKED CHICKENS
LAY DEVILED EGGS!

Porter & Charles Appliances are designed and manufactured to the highest standards. Each appliance is covered by a comprehensive 2-year parts and labour warranty.

Refer to product warranty policy for complete terms and conditions.

FOR PARTS AND SERVICE

Euro-Parts & Service

39822 Belgrave Road, Belgrave, ON. N0G 1E0
1 800 678 8352 (Canada) • 1 800 561 4614 (U.S.)

www.euro-parts.ca • parts@euro-parts.ca • service@euro-parts.ca

Porter & Charles appliances are imported and distributed in North America by Euro-Line Appliances Inc. For more information, please visit one of our showrooms or

www.euro-line-appliances.com / www.elawest.com

EURO-LINE APPLIANCES INC.

871 Cranberry Court
Oakville, ON L6L 6J7 Canada
905 829 3980
1 800 421 6332

marketing@euro-line-appliances.com

EURO-LINE APPLIANCES WEST INC.

2912 West 4th Avenue
Vancouver, BC V6K 1R2 Canada
604 235 3980
1 855 ELA WEST (352.9378)

info@elawest.com

