

# PYRAMID 36

36" WALL MOUNT RANGE HOOD

# Porter & Charles

# PYRAMID 36

## 36" Wall Mount Range Hood



### RANGE HOOD FEATURES

- 36" (90cm) stainless steel wall-mount range hood
- LED lighting
- 3 speed adjustment
- Electronic back-lit push buttons
- 2 x dishwasher safe baffle filters
- Quiet (8 sones/58 dB) 500 CFM motor

### ELECTRICAL REQUIREMENTS

- 115 Volt, 60Hz, 15AMP
- Extension flue available for 9' ceilings (EFP)
- AEG Range Hoods are supplied with a Canadian cord and plug

### RANGE HOOD DIMENSIONS

- D: 187/8" x W: 355/16" x H: 2711/16" – 47"
- D: 479mm x W: 897mm x H: 703mm – 1193mm

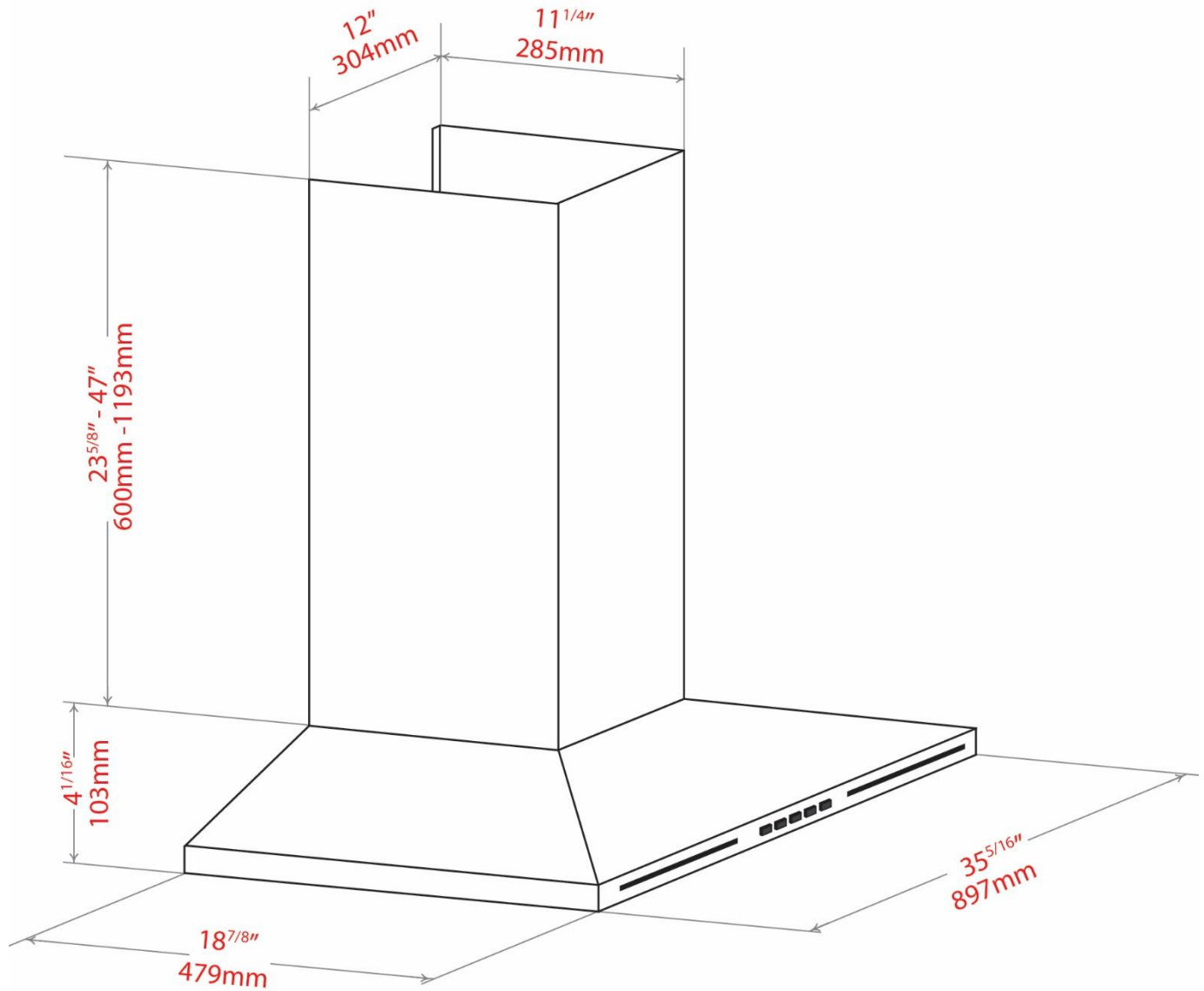
### DUCT SIZE

- 6" Duct Size

- 115 Volt, 60Hz, 15AMP
- AEG Range Hoods are supplied with a Canadian cord and plug

# Specifications

## PYRAMID 36



Porter & Charles appliances are designed and manufactured to the highest standards.  
Each appliance is covered by a comprehensive 2 year parts and labour warranty.

[www.porterandcharles.com](http://www.porterandcharles.com)

*Refer to product warranty policy for complete terms and conditions.*

## **FOR PARTS & SERVICE**

**Euro-Parts & Service**  
39822 Belgrave Road  
Belgrave, ON N0G 1E0  
1-800-678-8352 (CANADA)  
1-800-561-4614 (USA)  
[www.euro-parts.ca](http://www.euro-parts.ca)  
[parts@euro-parts.ca](mailto:parts@euro-parts.ca)  
[service@euro-parts.ca](mailto:service@euro-parts.ca)

Porter & Charles appliances are imported & distributed in North America by Euro-Line Appliances Inc.

For more information please visit one of our showrooms or

[www.euro-line-appliances.com](http://www.euro-line-appliances.com) / [www.elawest.com](http://www.elawest.com)

---

### ***EURO-LINE APPLIANCES INC.***

871 Cranberry Court  
Oakville, ON L6L 6J7  
905-829-3980  
1-800-421-6332  
[marketing@euro-line-appliances.com](mailto:marketing@euro-line-appliances.com)

### ***EURO-LINE APPLIANCES WEST INC.***

2912 West 4<sup>th</sup> Avenue  
Vancouver, BC V6K 1R2  
604-235-3980  
1-855-ELA-WEST  
[info@elawest.com](mailto:info@elawest.com)