

- EN** Installation, Operation and Maintenance Instructions  
**FR** Instructions d'installation, d'utilisation et d'entretien  
**ES** Instrucciones de instalación, operación y mantenimiento

Refrigerators  
Réfrigérateurs  
Refrigeradores

**ML24BC**  
**MA24BC**  
**ML24BR**  
**MA24BR**  
**ML15RA**  
**ML24RA**  
**MA24RA**  
**ML24WB**



# CONTENTS

## Contents:

Safety information .....	2
Unpacking your appliance .....	3
Warranty registration .....	3
Installing your appliance .....	4
Cabinet clearances .....	4
Leveling the appliance .....	4
Electrical connection .....	5
Product Dimensions .....	6
Using your Electronic control .....	8
Starting your appliance .....	8
Sleep mode .....	8
Turning your appliance "ON" or "OFF" .....	8
Adjusting the temperature .....	8
Interior display lighting .....	9
Temperature mode .....	9
Control lock .....	10
Temperature sensor error codes .....	10
Alarms .....	10
Door ajar .....	10
Power failure .....	11
Temperature alarm .....	11
Vacation mode .....	11
Overlay door panel installation .....	12
Shelving configurations .....	19
Care and cleaning .....	22
Energy saving tips .....	22
Obtaining service .....	23
Troubleshooting .....	24
Warranty .....	25

## Important Safety Instructions

Warnings and safety instructions appearing in this guide are not meant to cover all possible conditions and situations that may occur. Common sense, caution, and care must be exercised when installing, maintaining, or operating this appliance.

## Recognize Safety Symbols, Words, and Labels.



### WARNING

**WARNING**-You can be killed or seriously injured if you do not follow these instructions.



### CAUTION

**CAUTION**-Hazards or unsafe practices which could result in personal injury or property / product damage.

### NOTE

**NOTE**-Important information to help assure a problem free installation and operation.



### WARNING

**State of California Proposition 65 Warning:**  
This product contains one or more chemicals known to the State of California to cause cancer.



### WARNING

**State of California Proposition 65 Warning:**  
This product contains one or more chemicals known to the State of California to cause birth defects or other reproductive harm..

# UNPACKING YOUR APPLIANCE



## WARNING

### EXCESSIVE WEIGHT HAZARD

Use two or more people to move product.  
Failure to do so can result in personal injury.

### Remove Interior Packaging

Your appliance has been packed for shipment with all parts that could be damaged by movement securely fastened. Remove internal packing materials and any tape holding internal components in place. The owners manual is shipped inside the product in a plastic bag along with the warranty registration card, and other accessory items.

### Important

Keep your carton and packaging until your appliance has been thoroughly inspected and found to be in good condition. If there is damage, the packaging will be needed as proof of damage in transit. Afterwards please dispose of all items responsibly.



## WARNING

**WARNING** - Dispose of the plastic bags which can be a suffocation hazard.

### Note to Customer

This merchandise was carefully packed and thoroughly inspected before leaving our plant. Responsibility for its safe delivery was assumed by the retailer upon acceptance of the shipment. Claims for loss or damage sustained in transit must be made to the retailer.

## NOTE

DO NOT RETURN DAMAGED MERCHANDISE TO THE MANUFACTURER - FILE THE CLAIM WITH THE RETAILER.



## CAUTION

If the appliance was shipped, handled, or stored in other than an upright position for any period of time, allow the appliance to sit upright for a period of at least 24 hours before plugging in. This will assure oil returns to the compressor. Plugging the appliance in immediately may cause damage to internal parts.

### Warranty Registration

It is important you send in your warranty registration card immediately after taking delivery of your appliance or you can register online at [www.agamarvel.com](http://www.agamarvel.com).

The following information will be required when registering your appliance.

Service Number

Serial Number

Date of Purchase

Dealer's name and address

Online registration  
available at  
[www.agamarvel.com](http://www.agamarvel.com)

The service number and serial number can be found on the serial plate which is located inside the cabinet on the left side near the top. (See Figure 1).

AGA MARVEL	
GREENVILLE, MI 48838	
MODEL NO.	<input type="text"/>
SERVICE NO.	XXXXXXXXXXXX
SERIAL NO.	XXXXXXXXXXXX
HZ <input type="text"/>	VOLTS <input type="text"/>
AMPS <input type="text"/>	R134A <input type="text"/>
OZ <input type="text"/>	
TEST PRESSURE 140 PSI LOW SIDE 300 PSI HIGH SIDE	

Figure 1



## WARNING

### WARNING - Help Prevent Tragedies

Child entrapment and suffocation are not problems of the past. Junked or abandoned refrigerators are still dangerous - even if they sit out for "just a few hours".

If you are getting rid of your old refrigerator, please follow the instructions below to help prevent accidents.

Before you throw away your old refrigerator or freezer:

- Take off the doors or remove the drawers.
- Leave the shelves in place so children may not easily climb inside.

# INSTALLING YOUR APPLIANCE

## Select Location

The proper location will ensure peak performance of your appliance. We recommend a location where the unit will be out of direct sunlight and away from heat sources. To ensure your product performs to specifications, the recommended installation location temperature range is from 55 to 100°F (13 to 38°C).

## Cabinet Clearance

Ventilation is required from the bottom front of the appliance. Keep this area open and clear of any obstructions. Adjacent cabinets and counter top can be installed around the appliance as long as the front grille remains unobstructed. Overlay door models with articulated hinges are intended for built-in applications only.

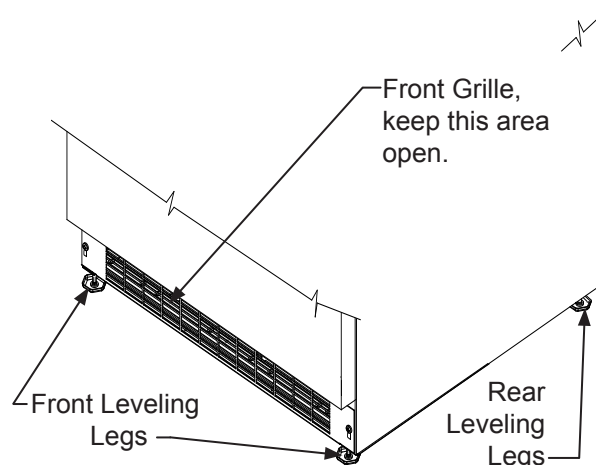


Figure 2



## WARNING

An optional stacking kit, for 24" wide models, is required to stack products. Failure to use a stacking kit could result in personal injury. Contact your dealer or Aga Marvel customer service at 800-223-3900 to order. For safety concerns 15" wide models should not be stacked.

## Leveling Legs

Adjustable legs at the front and rear corners of the appliance should be set so the unit is firmly positioned on the floor and level from side to side and front to back. The overall height of your Marvel appliance may be adjusted higher (by turning the leveling leg out, CCW) and lower (by turning the leveling leg in, CW) dimensions as shown in Table A.

To adjust the leveling legs, place the appliance on a solid surface and protect the floor beneath the legs to avoid scratching the floor. With the assistance of another person, lean the appliance back to access the front leveling legs. Raise or lower the legs to the required dimension by turning the legs. Repeat this process for the rear by tilting the appliance forward using caution. On a level surface check the appliance for levelness and adjust accordingly.

The front grille screws may be loosened and the grille adjusted to the desired height. When adjustment is complete tighten the two front grille screws. (See Figure 5).



## CAUTION

## Front Grille

Do not obstruct the front grille. The openings within the front grille allow air to flow through the condenser heat exchanger. Restrictions to this air flow will result in increased energy usage and loss of cooling capacity. For this reason it is important this area not be obstructed and the grille openings kept clean. AGA MARVEL does not recommend the use of a custom made grille as air flow may be restricted. (See Figure 2).

Model	Door Style	Minimum Height	Maximum Height
ML(15)(24)*	(S) or (G)	33 3/4" (85.7 cm)	34 3/4" (88.3 cm)
ML(15)(24)*	(P or F)	34" (86.4 cm)	35" (88.9 cm)
MA24*	(S) or (G)	31 1/8" (79.1 cm)	32 1/8" (81.6 cm)
MA24*	(P or F)	31 3/8" (79.7 cm)	32 3/8" (82.2 cm)

Table A



# INSTALLING YOUR APPLIANCE

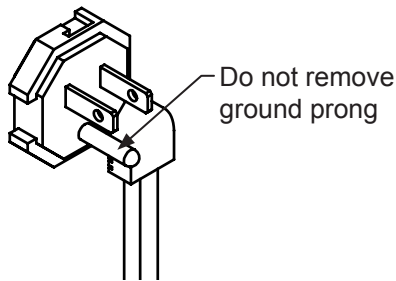


Figure 3

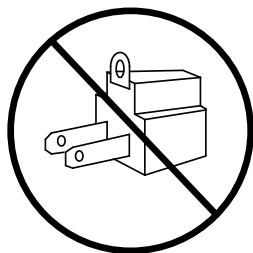


Figure 4

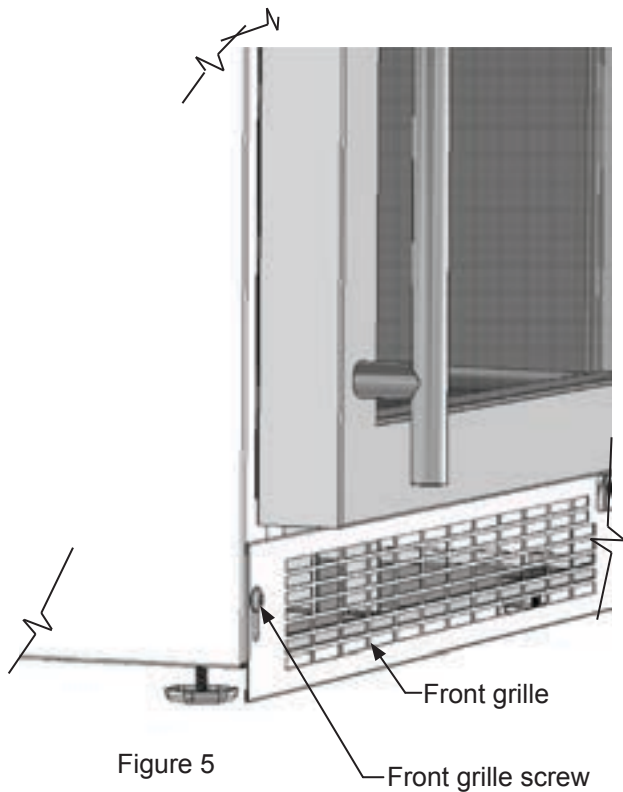


Figure 5

## WARNING

### Electrical Shock Hazard

- Do not use an extension cord with this appliance. They can be hazardous and can degrade product performance.
- This appliance should not, under any circumstances, be installed to an un-grounded electrical supply.
- Do not remove the grounding prong from the power cord. (See Figure 3).
- Do not use an adapter. (See Figure 4).
- Do not splash or spray water from a hose on the appliance. Doing so may cause an electrical shock, which may result in severe injury or death.

### Electrical Connection

A grounded 115 volt, 15 amp dedicated circuit is required.

This product is factory equipped with a power supply cord that has a three-pronged, grounded plug. It must be plugged into a mating grounding type receptacle in accordance with the National Electrical Code and applicable local codes and ordinances (see Figure 6). If the circuit does not have a grounding type receptacle, it is the responsibility and obligation of the customer to provide the proper power supply. The third ground prong should not, under any circumstances, be cut or removed.

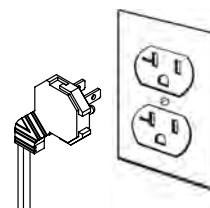


Figure 6

## NOTE

Ground Fault Circuit Interrupters (GFCI) are prone to nuisance tripping which will cause the appliance to shut down. GFCI's are generally not used on circuits with power equipment that must run unattended for long periods of time, unless required to meet local building codes and ordinances.

# PRODUCT DIMENSIONS

MODEL	ROUGH-IN OPENING DIMENSIONS			CABINET DIMENSIONS					
	"A"	"B"	"C"	"D"	"E"	"F"	"G"	"H"	"J"
ML15**(G) or (S)	15" (38.1 cm)	**34" to 35" (86.4 to 88.9 cm)	24" (61 cm)	14 <sup>7</sup> / <sub>8</sub> " (37.8 cm)	33 <sup>3</sup> / <sub>4</sub> " to 34 <sup>3</sup> / <sub>4</sub> " (85.7 to 88.3 cm)	23 <sup>23</sup> / <sub>32</sub> " (60.2 cm)	25 <sup>21</sup> / <sub>32</sub> " (65.2 cm)	37 <sup>13</sup> / <sub>32</sub> " (95 cm)	16 <sup>1</sup> / <sub>16</sub> " (42.4 cm)
ML15**(P) or (F)	15" (38.1 cm)	**34 <sup>1</sup> / <sub>4</sub> " to 35 <sup>1</sup> / <sub>4</sub> " (87 to 89.5 cm)	* 24" (61 cm)	14 <sup>7</sup> / <sub>8</sub> " (37.8 cm)	34" to 35" (86.4 to 88.9 cm)	22 <sup>7</sup> / <sub>8</sub> " (58.1 cm)	-	37 <sup>1</sup> / <sub>2</sub> " (95.2 cm)	14 <sup>1</sup> / <sub>8</sub> " (35.9 cm)
ML24**(G) or (S)	24" (61 cm)	**34" to 35" (86.4 to 88.9 cm)	24" (61 cm)	23 <sup>7</sup> / <sub>8</sub> " (60.7 cm)	33 <sup>3</sup> / <sub>4</sub> " to 34 <sup>3</sup> / <sub>4</sub> " (85.7 to 88.3 cm)	23 <sup>23</sup> / <sub>32</sub> " (60.2 cm)	25 <sup>21</sup> / <sub>32</sub> " (65.2 cm)	46 <sup>13</sup> / <sub>32</sub> " (117.9 cm)	25 <sup>1</sup> / <sub>16</sub> " (65.2 cm)
ML24**(P) or (F)	24" (61 cm)	**34 <sup>1</sup> / <sub>4</sub> " to 35 <sup>1</sup> / <sub>4</sub> " (87 to 89.5 cm)	* 24" (61 cm)	23 <sup>7</sup> / <sub>8</sub> " (60.7 cm)	34" to 35" (86.4 to 88.9 cm)	22 <sup>7</sup> / <sub>8</sub> " (58.1 cm)	-	46 <sup>1</sup> / <sub>2</sub> " (118.1 cm)	23 <sup>1</sup> / <sub>8</sub> " (58.7 cm)
MA24**(G) or (S)	24" (61 cm)	** 31 <sup>5</sup> / <sub>8</sub> " to 32 <sup>5</sup> / <sub>8</sub> " (79.7 to 82.2 cm)	24" (61 cm)	23 <sup>7</sup> / <sub>8</sub> " (60.7 cm)	31 <sup>1</sup> / <sub>8</sub> " to 32 <sup>1</sup> / <sub>8</sub> " (79.1 to 81.6 cm)	23 <sup>23</sup> / <sub>32</sub> " (60.2 cm)	25 <sup>21</sup> / <sub>32</sub> " (65.2 cm)	46 <sup>13</sup> / <sub>32</sub> " (117.9 cm)	25 <sup>1</sup> / <sub>16</sub> " (65.2 cm)
MA24**(P) or (F)	24" (61 cm)	** 31 <sup>5</sup> / <sub>8</sub> " to 32 <sup>5</sup> / <sub>8</sub> " (80.3 to 82.9)	* 24" (61 cm)	23 <sup>7</sup> / <sub>8</sub> " (60.7 cm)	31 <sup>5</sup> / <sub>8</sub> " to 32 <sup>5</sup> / <sub>8</sub> " (79.7 to 82.2 cm)	22 <sup>7</sup> / <sub>8</sub> " (58.1 cm)	-	46 <sup>1</sup> / <sub>2</sub> " (118.1 cm)	23 <sup>1</sup> / <sub>8</sub> " (58.7 cm)

DOOR STYLE
(G) Glass Frame Door
(S) Solid Door
(P) Solid Overlay Door (no handle)
(F) Frame Glass Overlay Door (no handle)

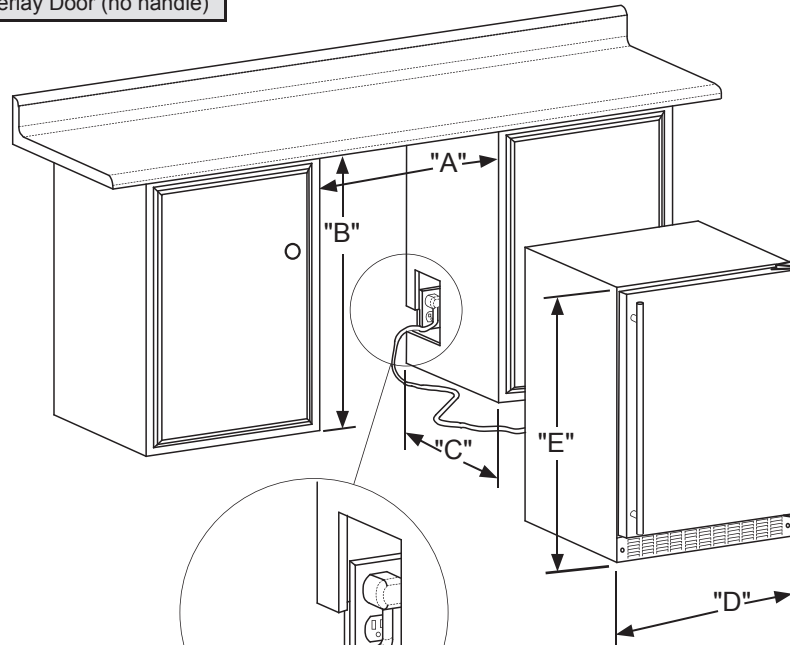


Figure 7  
(S) Solid door shown

Figure 7a



Figure 8

If necessary to gain clearance inside the rough-in opening a hole can be cut through the adjacent cabinet and the power cord routed through this hole to a power outlet. Another way to increase the available opening depth is to recess the power outlet into the rear wall to gain the thickness of the power cord plug. Not all recessed outlet boxes will work for this application as they are too narrow, but a recessed outlet box equivalent to Arlington #DVFR1W is recommended for this application, (see Figure 8).

# PRODUCT DIMENSIONS

MODEL	PRODUCT DATA	
	ELECTRICAL REQUIREMENTS #	PRODUCT WEIGHT
ML15**(G) or (S)	115V/60Hz/15A	105 lbs (47.7 kg)
ML15**(P) or (F)	115V/60Hz/15A	105 lbs (47.7 kg)
ML24**(G) or (S)	115V/60Hz/15A	140 lbs (63.6 kg)
ML24**(P) or (F)	115V/60Hz/15A	140 lbs (63.6 kg)
MA24**(G) or (S)	115V/60Hz/15A	140 lbs (63.6 kg)
MA24**(P) or (F)	115V/60Hz/15A	140 lbs (63.6 kg)

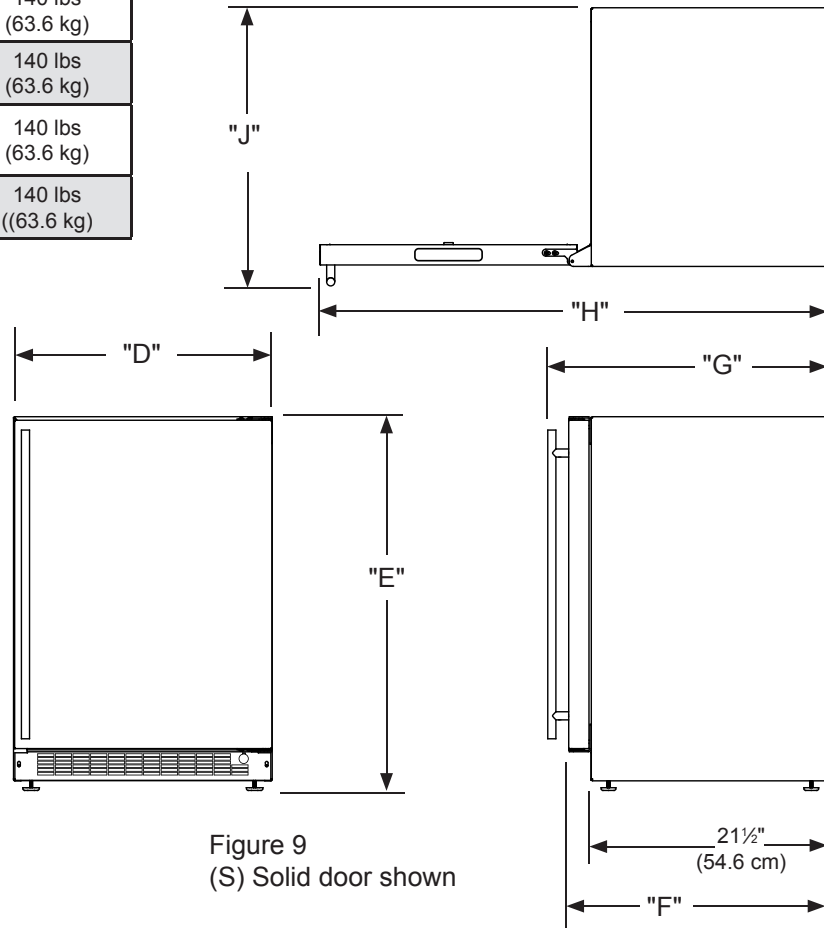


Figure 9  
(S) Solid door shown

\* To install (F) and (P) models with the door face flush with adjacent cabinetry doors, custom decorative panel thickness cannot exceed 3/4" (19 mm).

\*\* Minimum rough-in opening required is to be larger than the adjusted height of the cabinet.

# A grounded 15 amp dedicated circuit is required. Follow all local building codes when installing electrical and appliance.

APPLIES TO THE FOLLOWING MARVEL MODELS			
ML15BC	MA24BC		
ML15RA	MA24BR		
	MA24RA		
	ML24BC		
	ML24BR		
	ML24RA		
	ML24WB		

# USING YOUR ELECTRONIC CONTROL

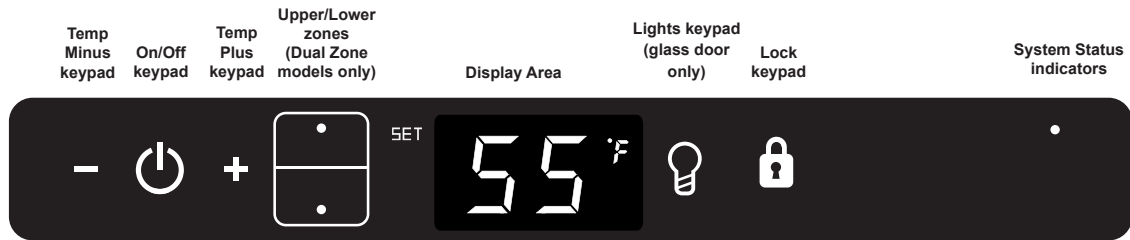


Figure 10  
Electronic control



## Starting your appliance (Single and Dual Zone):

Plug the appliance power cord into a 115 volt wall outlet. Your appliance is shipped from the factory in the "On" position and will begin start-up of cooling as soon as power is supplied. If the appliance does not start, confirm that the wall outlet has power, and that the control is in the "On" position, (See "Turning your appliance On and Off" below).

The control display is covered with a clear plastic film. This film may be removed by carefully lifting the film at a corner.

On initial power up, the control display will indicate a "Power Failure" alarm. This is a normal condition as the appliance was powered-up at the factory for quality inspection and then removed from power. A momentary press of the "On/Off" keypad will reset this alarm condition. (See Alarms section on page 10).



## Sleep mode (Single and Dual Zone):

If no keypads are pressed for 60 seconds, the display will enter sleep mode to conserve power. The control panel will go dark with the exception of the system status "OK" indicator which will remain enabled. Alarm conditions will wake the display, (see alarms on page 10).

**To make the following changes to the control settings (turning the appliance ON/OFF, adjusting the temperature, changing the interior lights, and activating vacation mode), the control must be awake.**

To wake the display press any keypad. A confirm tone will sound, and the current storage compartment temperature will be displayed.

The sleep mode can be disabled if you prefer to have the display on continuously. Press and hold the "Lock" keypad until the display goes past "Loc" and reads "nSL". To enable the sleep mode, repeat the instruction, again going past "Loc" until the display reads "SLP".



## Turning your appliance ON and OFF (Single and Dual Zone):

If the appliance is "On", (and out of sleep mode) the temperature will be shown in the display area of the control. To turn the appliance "Off", press and hold the "On/Off" keypad for 4-seconds. "OFF" will now be displayed on the control.



To turn the appliance "On", press and hold the "On/Off" keypad for 4-seconds.

## Adjusting the temperature:

### NOTE

When initially loading your product with warm contents, it may take up to 48-hours for the storage compartment temperature to stabilize.

When making temperature set-point changes, it may take up to 24-hours for the stored contents to stabilize at your new set-point temperature.

## USING YOUR ELECTRONIC CONTROL

Factors that affect the storage compartment stabilized temperature:

- Changes to temperature setting.
- Room temperature changes.
- Temperature of stored contents.
  - Loading warm contents.
  - Cold content load will delay the change to a warmer set-point temperature.
  - Warm content load will delay the change to a colder set-point temperature.
- Usage, (number and duration of the door openings).
- Use of the storage compartment display lighting, (glass door product only).
- Installation of the appliance in direct sunlight or next to a heat source.



### Single Zone Models:

To set or check the set-point temperature (with the control out of sleep mode), press the "-" or "+" keypads. "SET" will be indicated on the user interface panel and the current set-point temperature will display and flash. Subsequent presses of the "-" or "+" keypads will adjust the temperature colder or warmer respectively. When you have reached your desired set-point temperature, press the "On/Off" keypad to accept, or do nothing and the "Set" mode will time-out in 10-seconds accepting the displayed temperature as the new set-point.

The available set-point temperature range for your appliance is 34°F (1.2°C) to 42°F (5.7°C). If you attempt to adjust the temperature outside of this range you will receive an audible notification.



### Dual Zone Models:

Temperatures can be set for each individual zone (upper and lower) in the dual zone wine / beverage center. To do so you must first select the zone you want to set the temperature for. You do so by pressing the upper or lower button on the display. When pressed the LED light will be illuminated for the respective display.



To change the set temperature for a particular zone, with the zone selected and out of sleep mode, press the "-" or "+" keypads. "SET" will be indicated on the user interface panel and the current set-point temperature will display and flash. Subsequent presses of the "-" or "+" keypads will adjust the temperature colder or warmer respectively. When you have reached your desired set-point temperature, press the "On/Off" keypad to accept, or do nothing and the "Set" mode will time-out in 10-seconds accepting the displayed temperature as the new set-point.

The available set-point temperature range for your appliance is 34°F (1.2°C) to 42°F (5.7°C) for the lower zone and 45°F (7°C) to 60°F (16°C) for the upper zone. If you attempt to adjust the temperature outside of these ranges you will receive an audible notification.

### NOTE

The **upper zone** is designed exclusively for the storage of wine. The **upper zone** cannot attain storage temperatures suitable for fresh food storage.



### Interior display lighting (Single and Dual Zone):

 (Glass door models only)

Your appliance is equipped with a dual light level display lighting feature. With the control out of sleep mode press the "Light" keypad once to activate the interior lighting display feature at full illumination. A confirmation tone will sound, and the light bulb "Icon" will illuminate. Pressing the "Light" keypad a 2nd time will dim the lighting to 50%. A 3rd press will deactivate the display lighting feature. The display lighting will automatically deactivate after 4-hours.



### Temperature mode (Single and Dual Zone):

The temperature mode is preset from the factory in Fahrenheit (°F) but you have the option to change it to Centigrade (°C). To change the mode, press and hold the "-" keypad, while pressing the "+" keypad, then release the "-" keypad. The temperature will now be displayed in Centigrade (°C). Repeat the procedure to change the temperature mode back to Fahrenheit (°F).

# USING YOUR ELECTRONIC CONTROL

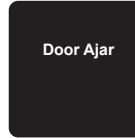


## Alarms (Single and Dual Zone):

The control will alert you to conditions that could adversely affect the performance of the appliance.

### Control lock:

The control panel can be locked to avoid unintentional changes. To lock the control, press and hold the "Lock" keypad until the display reads "Loc" then immediately release your finger from the keypad. The lock icon will flash 3-times and then continuously illuminate. When the control panel is locked, only the Lock keypad, System Status OK indicator, and the Alarm indicator are active. To un-lock the control panel, repeat this instruction until the display reads "nLc", then immediately release your finger from the keypad.



- **Door ajar** - If the door is open, or not closed properly, for more than 5-minutes the System Status OK indicator will turn-off, the "Door Ajar" indicator will flash, and a tone will sound every 60 seconds. Additionally, an "ALARM RESET" indicator will be displayed below the "On/Off" keypad.

### NOTE



If the control lock is active (illuminated lock icon) the control will have to be unlocked before using the keypad to reset an alarm condition. See page 10 (Control Lock) for instructions for unlocking the control.

### NOTE



The audible alarm can be muted, for each occurrence, by pressing the lock keypad.

This alarm condition can be reset by closing the door or momentarily pressing the "On/Off" keypad, (i.e.-if you are cleaning the storage compartment, etc.). The alarm will recur in 5-minutes if the alarm condition persists.

## Temperature Sensor Error Codes

The temperature sensors are monitored continuously. Any OPEN or SHORTED circuit condition will initiate an ERROR CODE as listed below:

### Single Zone Models:

Temperature Sensor Error Codes			
Sensor	Displayed Code	Error Description	Action to Take
Single Zone Temperature Sensor		Failed temperature sensor in the single zone compartment. Can lead to unwanted wine storage temperatures.	Call service to have the temperature sensor replaced.
Defrost Sensor		Failed defrost temperature sensor. Causes unit to not defrost properly and can create large frost build-up. Can lead to water damage to the unit and surrounding floor.	Unplug the power cord immediately and call service to have the defrost sensor replaced.

### Dual Zone Models:

Temperature Sensor Error Codes			
Sensor	Displayed Code	Error Description	Action to Take
Upper Zone Temperature Sensor		Failed temperature sensor in the upper zone compartment. Can lead to unwanted wine storage temperatures.	Call service to have the temperature sensor replaced.
Lower Zone Temperature Sensor		Failed temperature sensor in the lower zone compartment. Can lead to unwanted wine storage temperatures.	Call service to have the temperature sensor replaced.
Defrost Sensor		Failed defrost temperature sensor. Causes unit to not defrost properly and can create large frost build-up. Can lead to water damage to the unit and surrounding floor.	Unplug the power cord immediately and call service to have the defrost sensor replaced.



## USING YOUR ELECTRONIC CONTROL



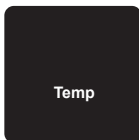
- **Power failure** - If power to the appliance is interrupted the System Status indicator will turn-off and the "Power Failure" indicator will flash. Additionally, an "ALARM RESET" indicator will be displayed below the "On/Off" keypad. No audible tone will sound. This alarm condition can be reset by momentarily pressing the "On/Off" keypad. If this alarm occurs, it is recommended that you check the condition of any perishables, even if the appliance is operating normally and the temperature has recovered, as prolonged power outages could result in excessive temperature excursions which may spoil perishables.

This alarm condition can be reset by momentarily pressing the "On/Off" keypad. If this alarm occurs it is recommended that you check the condition of your stored contents, even though the appliance is operating normally and the temperature has recovered, as prolonged temperature excursions could spoil perishables.

**NOTE**



Multiple alarms are possible, i.e.- "Door Ajar" for a prolonged period may trigger a "Temp" alarm, in which case both "Door Ajar" and "Temp" indicators will activate.



- **Temperature alarm** - If the storage compartment temperature deviates excessively from your set-point temperature for an extended period of time, the "TEMP" indicator will flash, and an audible tone will sound every 60 seconds. Additionally, an "ALARM RESET" indicator will be displayed below the "ON/OFF" keypad.

### Vacation mode (Single and Dual Zone):

This operating mode can be used to save energy during high cost energy periods, or when you won't be using your appliance for an extended period of time by disabling the lights, alarm tones, and keypad entry tones. Vacation mode also serves as a Sabbath mode, disabling functions and its controls in accordance with the weekly Sabbath and religious holidays observed within the Orthodox Jewish community. When used as Sabbath mode, you may open or close the door at any time to access contents without concern of directly turning on or off any lights, digital readouts, solenoids, fans, valves, compressor, icons, tones, or alarms.

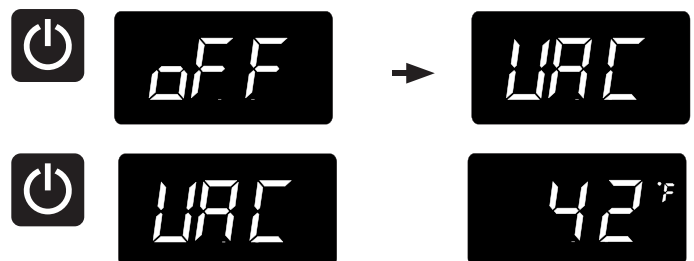
**NOTE**

After a high temperature alarm condition, check all perishables to ensure they are safe for consumption.

When activated, the display, alarm indicators and tones, keypad touch tones, interior lights, and all options are disabled. All keypad functions are disabled, with the exception of the "On/Off" keypad which is required to exit Vacation mode. Storage compartment temperatures are monitored and controlled at the settings prior to entering Vacation mode.

**NOTE**

The temperature alarm may occur as a result of high usage or introduction of warm contents to the storage compartment. If the temperature alarm continues to occur, your unit may require service.



**NOTE**



The audible alarm can be muted, for each occurrence, by pressing the lock keypad.

To enter Vacation Mode (with the control out of sleep mode), press and hold the "On/Off" keypad until the display goes past "OFF" and reads "VAC". The display will flash "VAC" 3-times to acknowledge your request, then will display "VAC" continuously until Vacation mode is exited. A power outage will not exit Vacation mode, exiting can only be accomplished manually. To exit Vacation mode and return to normal operation, press and hold the "On/Off" keypad until the control displays the temperature.



## OVERLAY DOOR PANEL INSTALLATION

If you purchased an overlay panel model, your unit is equipped with articulated hinges to allow fully integrated built-in installations. Custom panel thicknesses of  $\frac{5}{8}$ " (15 mm) and  $\frac{3}{4}$ " (18 mm) are accommodated.

### CAUTION

It is important to use the factory provided grille that came with the product to assure proper air flow is maintained through the condenser. The use of a custom grille is not recommended and will void the warranty.

### WARNING

Overlay panel models are designed for use with **built-in installations only**. Use in freestanding installations could result in personal injury.

### Step 1: Removing the Door

With a phillips screwdriver remove the screw and "P" clamp from the bottom of the door near the hinge. See Figure 11b.

Disconnect the door wire harness by pressing and holding down the locking tab on the wire connector and pulling the connector apart. See Figure 12.

Open the door and loosen the screws holding the hinges to the cabinet (2 at the top and 2 at the bottom hinge). Do not remove the screws but loosen them enough so the hinges can be slipped off of the screws when sliding the door to the side.

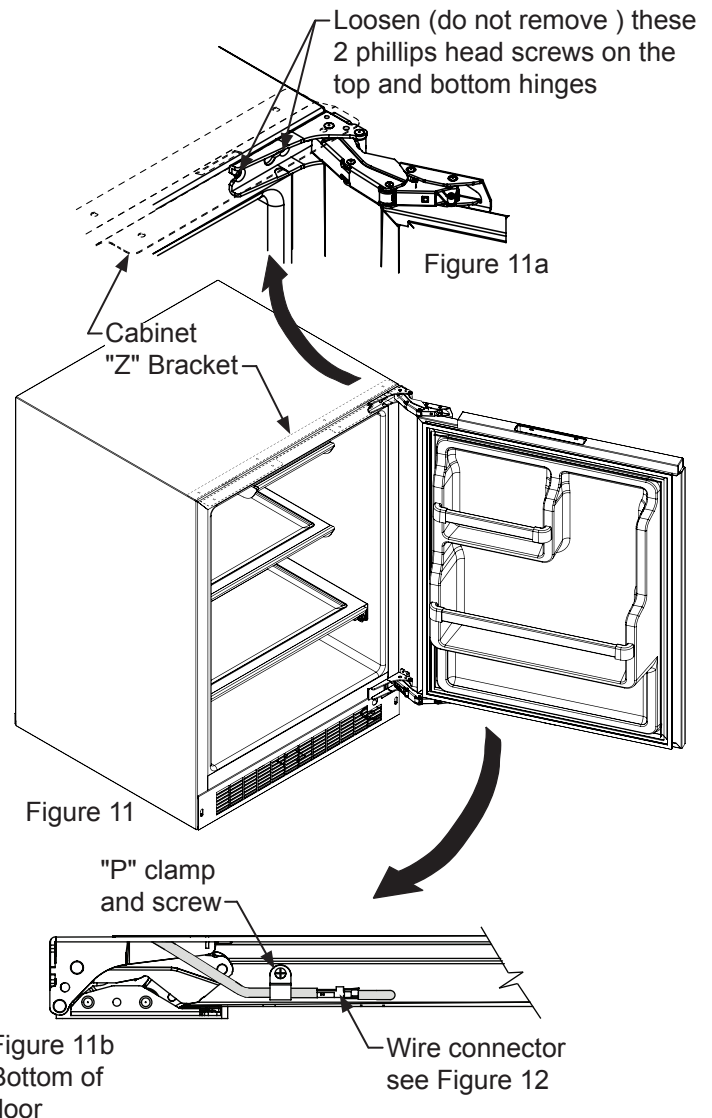
### WARNING

The articulated hinges have many pinch points. Carefully close / collapse the hinges as soon as the door is removed from the cabinet.

With a helper, and being careful not to scratch the cabinet or the door, slide the door to the side about  $\frac{1}{2}$  inch and remove the hinges and door from the unit.

### WARNING

Use extreme caution with the articulated hinges. The hinge is self closing and many pinch points exist prior to built-in installation. **Do not remove the cabinet "Z" bracket from the top of the cabinet.**

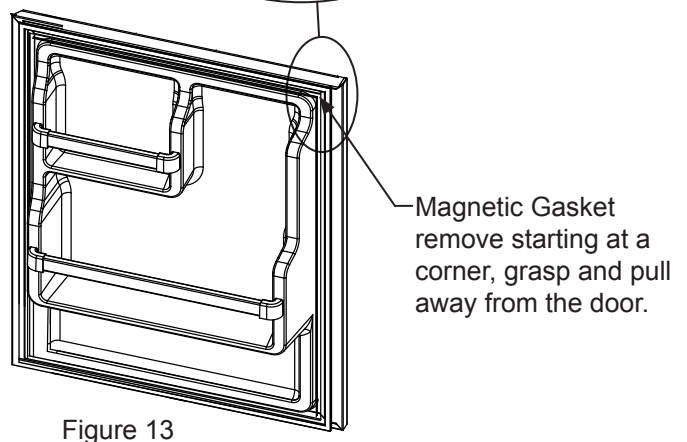
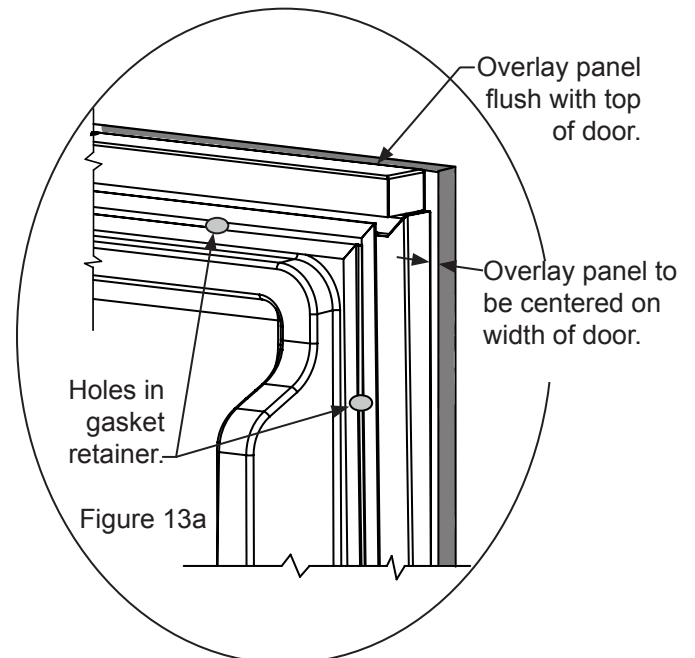
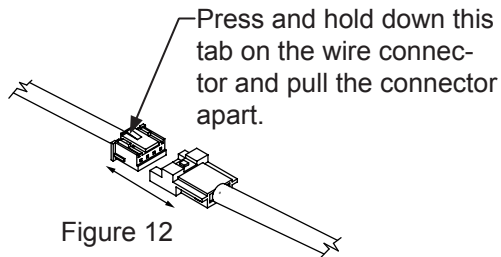


# OVERLAY DOOR PANEL INSTALLATION

## Step 2: Remove the door gasket

With the door laying on a flat surface and starting at a corner of the door remove the magnetic door gasket from the interior side of the door, see Figure 13. Set the gasket aside on a flat surface.

There are 10 holes in the gasket retainer extrusions, (3 on each side and 2 at the top and bottom which are used to fasten the panel to the front of the door. The screws are provided in the literature pack along with the door lock, which is provided on certain models.



## Step 3: Cut and drill the overlay panel

Depending on your model cut the overlay door panel to the dimensions shown in Figure 14 to Figure 21. Also see Table C for the height dimension and door styles. The window cut out is for glass door models only. If your appliance has a lock also drill the lock hole in the panel, see Figure 23.

# OVERLAY DOOR PANEL INSTALLATION

Figure 14  
**Left Hand Hinged Door**  
**15" (38.1 cm) wide appliance**

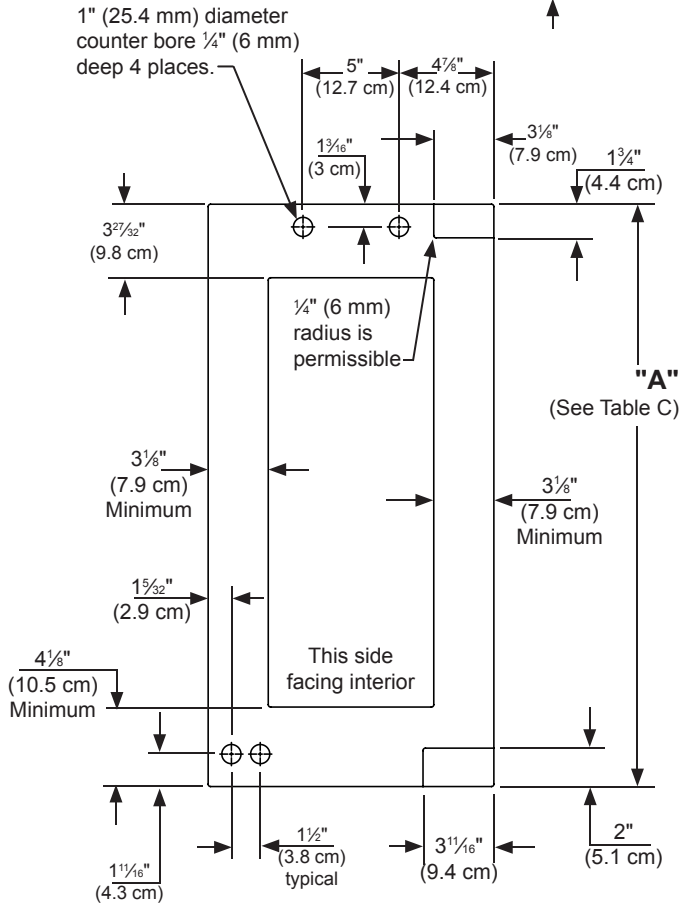
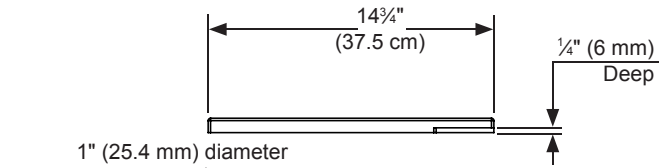
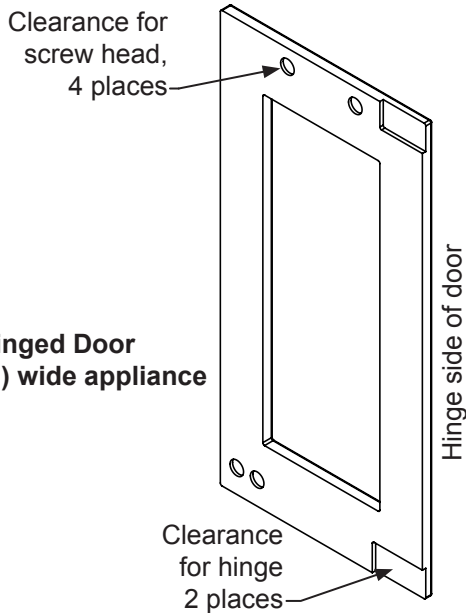


Figure 15  
**Left Hand Hinged Door**  
**15" (38.1 cm) Wide Appliance**

Figure 16  
**Right Hand Hinged Door**  
**15" (38.1 cm) wide appliance**

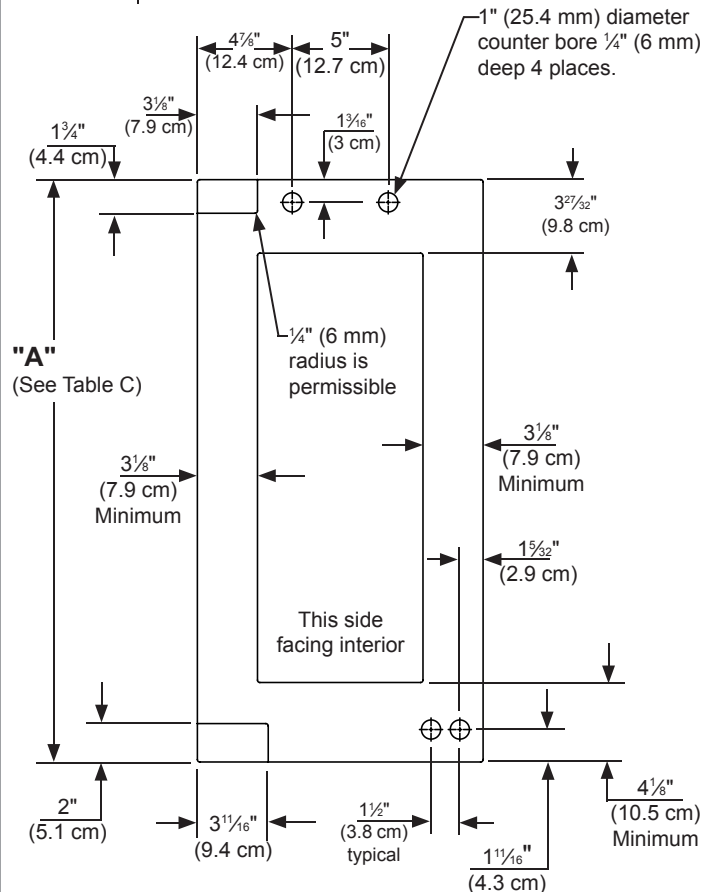
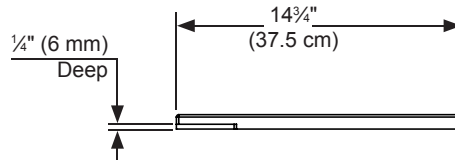
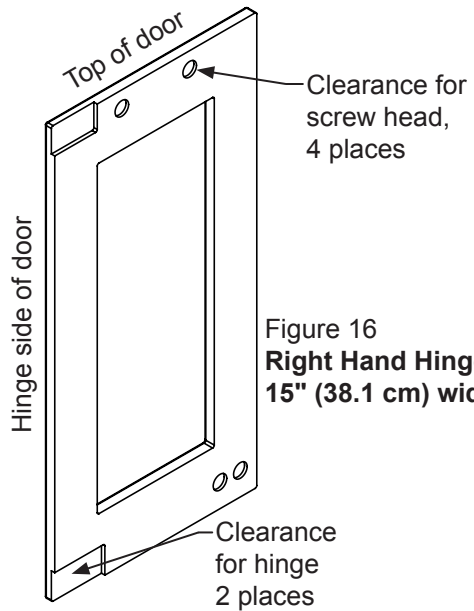


Figure 17  
**Right Hand Hinged Door**  
**15" (38.1 cm) wide appliance**

# OVERLAY DOOR PANEL INSTALLATION

Clearance for screw head, 4 places

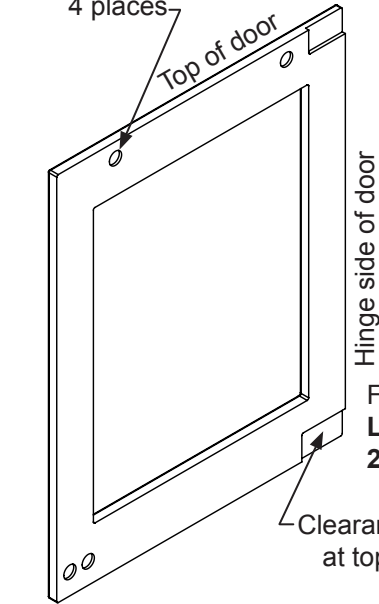


Figure 18  
Left Hand Hinged Door  
24" (61 cm) wide appliance

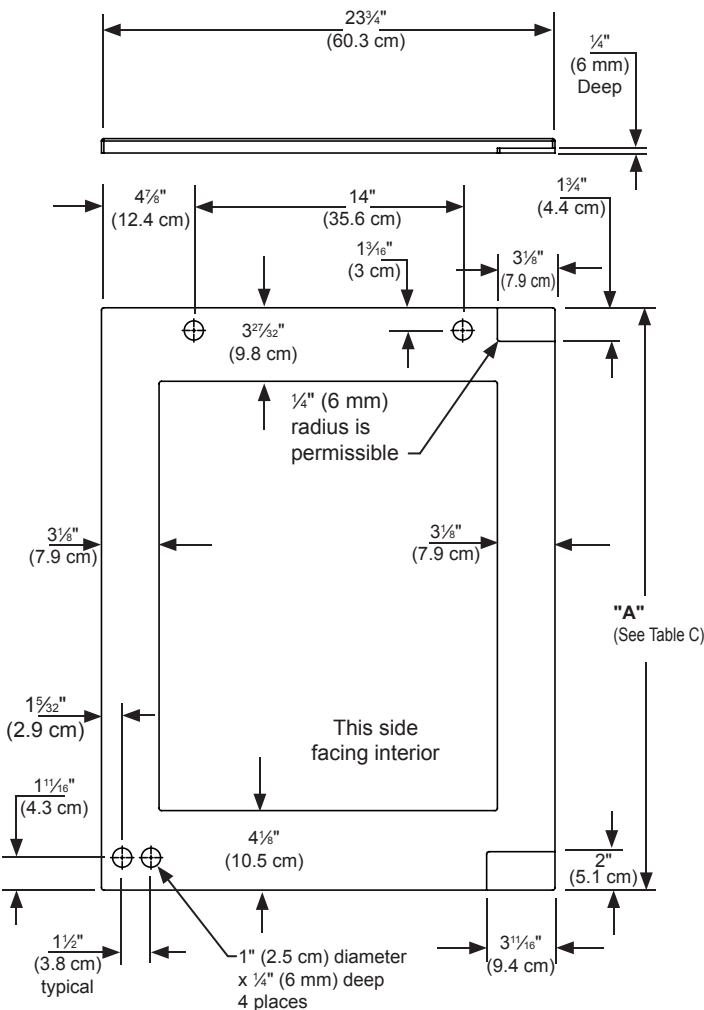


Figure 19  
Left Hand Hinged Door  
24" (61 cm) wide appliance

**CAUTION**

Weight of overlay door panel must not exceed 15 pounds (6.8 kg) for a solid door model or 10 pounds (4.5 kg) for a glass door model.

Clearance for screw head, 4 places

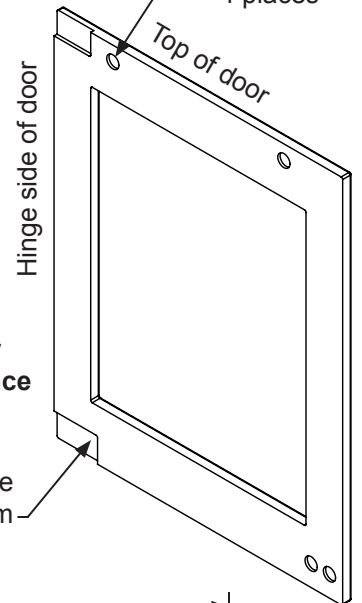


Figure 20  
Right Hand Hinged Door  
24" (61 cm) wide appliance

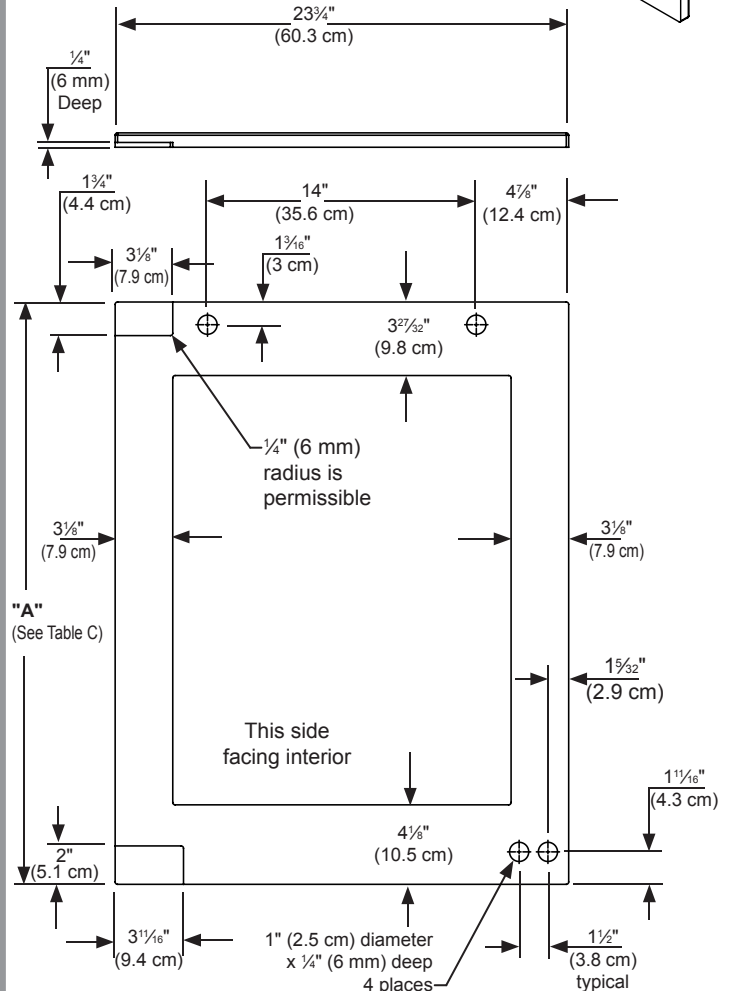


Figure 21  
Right Hand Hinged Door  
24" (61 cm) wide appliance

## OVERLAY DOOR PANEL INSTALLATION

### Step 4: Assemble the panel to the door

The preferred method of attaching the panel to the door is to clamp the panel to the door so it cannot move while drilling the screw pilot holes. Use bar clamps or "C" clamps with pads on the clamping surfaces that will not mar the panel or the door. The custom overlay panel should be flush with the top of the door and centered along the width of the door. See Figure 13a. Drill holes through the gasket extrusion using the 10 holes as pilot holes. Use the drill size from the chart in Table B, being careful not to drill through the front surface of the panel. If the overlay panel is thinner than  $\frac{5}{8}$ " (16 mm) thick shorter screws will have to be obtained. Fasten the panel to the door with the 10 screws provided in the literature pack. (See Figure 23a). Remove the clamps and replace the gasket in the gasket extrusion channels of the door. Some force may be required to seat the gasket into the channels. Be sure the gasket corners are seated properly.

Material Type	#10 Wood Screw
Hardwood	$\frac{1}{8}$ " (3.2 mm) Diameter. Pilot Hole
Softwood	$\frac{7}{64}$ " (2.8 mm) Diameter. Pilot Hole

Table B

MODEL	DOOR DESCRIPTION	DIM "A"
ML15RAP*RP	Solid, Right Hand	30 $\frac{11}{32}$ " (77.1 cm)
ML15RAP*LP	Solid, Left Hand	
ML15BCF*RP	Glass, Right Hand	
ML15BCF*LP	Glass, Left Hand	
ML15BCP*RP	Solid, Right Hand	
ML15BCP*LP	Solid, Left Hand	
ML24RAP*RP	Solid, Right Hand	
ML24RAP*LP	Solid, Left Hand	
ML24BCF*RP	Glass, Right Hand	
ML24BCF*LP	Glass, Left Hand	
ML24BCP*RP	Solid, Right Hand	
ML24BCP*LP	Solid, Left Hand	
ML24BRF*RP	Glass, Right Hand	
ML24BRF*LP	Glass, Left Hand	
ML24BRP*RP	Solid, Right Hand	
ML24BRP*LP	Solid, Left Hand	
ML24WBF*RP	Glass, Right Hand	
ML24WBF*LP	Glass, Left Hand	
ML24WBP*RP	Solid, Right Hand	
ML24WBP*LP	Solid, Left Hand	
MA24BRF*RP	Glass, Right Hand with Lock	27 $\frac{23}{32}$ " (70.4 cm)
MA24BRF*LP	Glass, Left Hand with Lock	
MA24RAP*RP	Solid, Right Hand with Lock	
MA24RAP*LP	Solid, Left Hand with Lock	

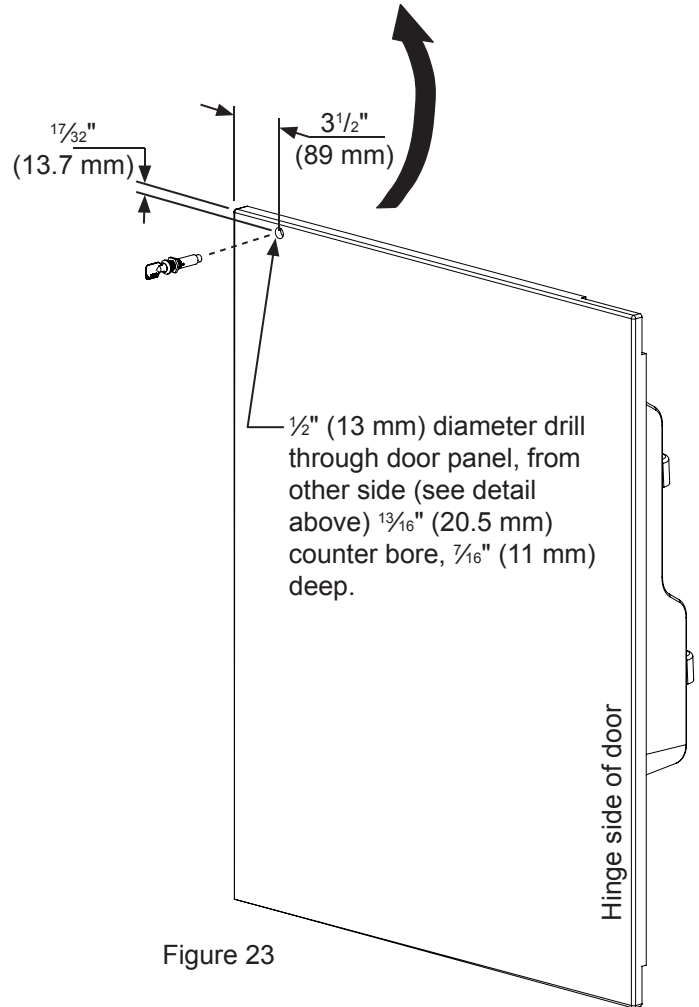
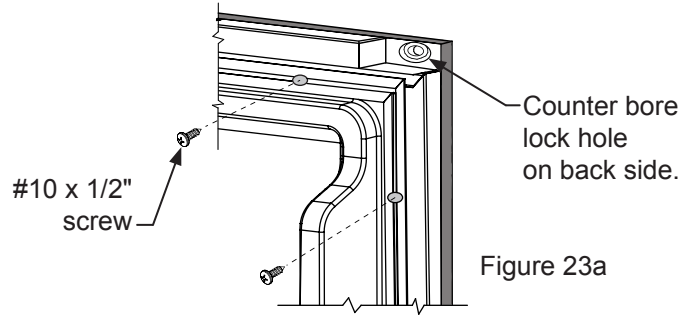
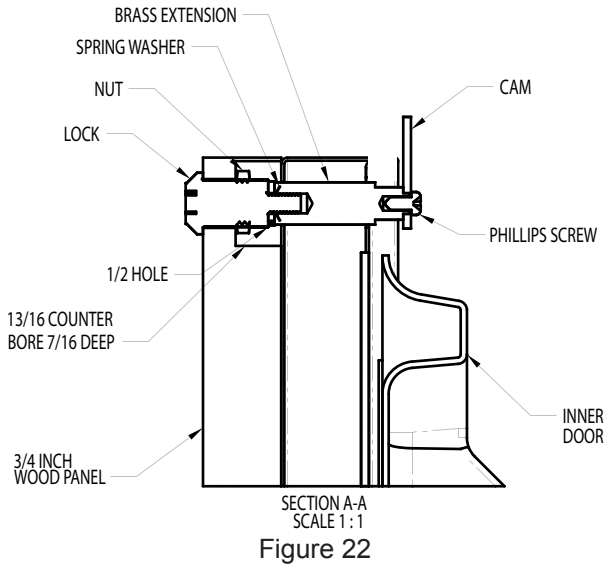
Table C

# OVERLAY DOOR PANEL INSTALLATION

## Step 5: Assemble lock parts

Two (2) lock extensions are provided with the lock. Use the longer extension for  $\frac{3}{4}$ " thick overlay panels and the shorter one for  $\frac{5}{8}$ " thick overlay panels. Assemble the lock extension, cam stop washer, spring washer, and set screw to the lock as shown in Figure 22 and Figure 24.

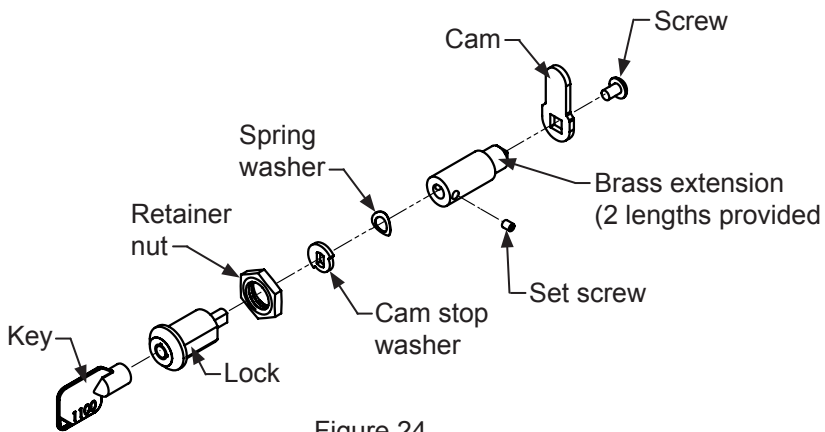
Install this lock assembly into the lock hole in the overlay panel and secure with the retaining nut on the back side with a 15 mm socket and ratchet. Make sure the key slot in the front of the lock is vertical.



## Step 6: Install lock cam

Attach the lock cam to the back of the lock assembly with the phillips head screw provided. Orient the lock cam vertically when installing on the lock.

## OVERLAY DOOR PANEL INSTALLATION

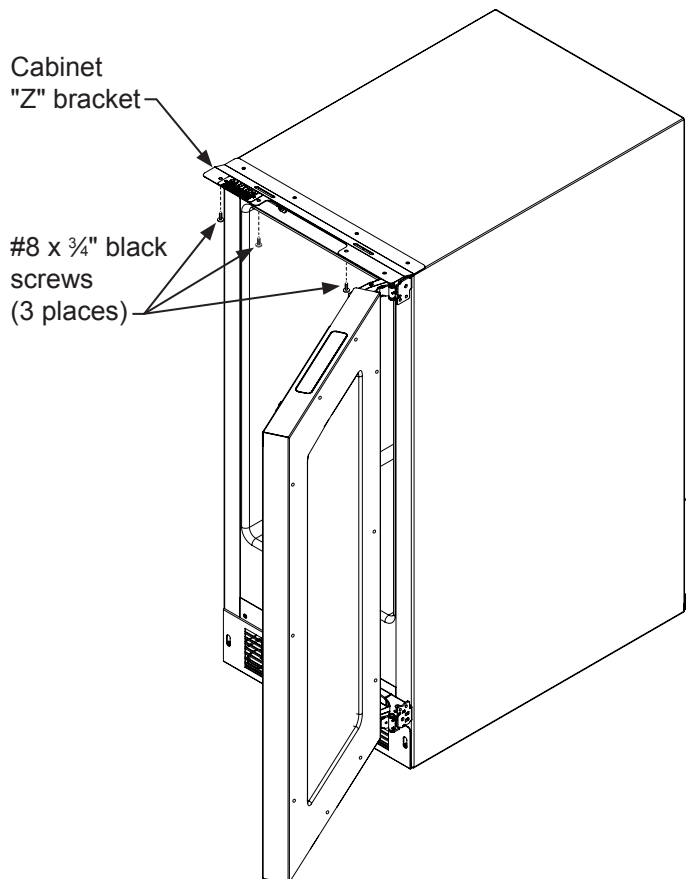


### Step 7: Install the door

Carefully open the top and bottom hinges on the door being careful as there are many pinch points. Place the hinges over the 4 screws in the cabinet, 2 at the top and 2 at the bottom and slide the door into position. Tighten the 4 hinge screws with a phillips screwdriver. (See Figure 11 and Figure 11a). Place wire harness from the grille and mount to the bottom of the door with the screw and "P" clamp removed in step 1. (See Figure 11b). Reconnect the wire harness, (See Figure 12).

### Step 8: Secure the cabinet

Use the #8 x 3/4" black screws from the literature pack to secure the counter top to the cabinet top through the holes in the cabinet "Z" bracket.





# SHELVING CONFIGURATIONS

## Loading Tips and Suggestions

Your appliance is equipped with a cantilever shelf system which provides maximum adjust ability and customizing of the shelving arrangements listed below.

### Beverage Center:

#### 15" (38.1 cm) Wide Models:

Shown with a glass door. Figure 26.

(2) frame and flat glass cantilever shelves. (See Figure 35).

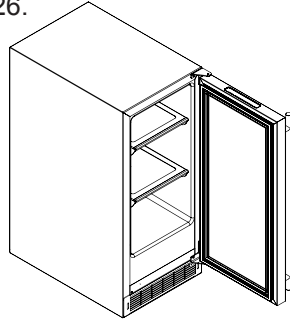


Figure 26

### Beverage Center:

#### 24" (61 cm) Wide Models:

Shown with a glass door. Figure 27.

(2) wine cutout and flat glass cantilever shelf. (See Figure 36).  
(1) half depth roll-out 4 bottle wine shelf.

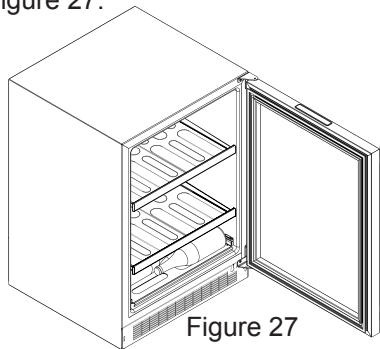


Figure 27

### Dual Zone Wine / Beverage Center:

#### 24" (61 cm) Wide Models:

Shown with a glass door. Figure 28.

#### Upper Zone:

(2) pull-out wire wine shelf. (See Figure 37).

#### Lower Zone:

(1) wine cutout and flat glass shelf. (See Figure 36).

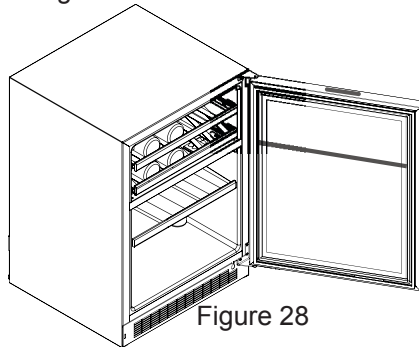


Figure 28

### Beverage Refrigerator:

#### 24" (61 cm) Wide Models:

Shown with a glass door. Figure 29.

(1) half width flat glass cantilever shelf. (See Figure 34).  
(1) wine cutout and flat glass cantilever shelf. (See Figure 36).  
(1) frame and flat glass crisper cover.  
(1) roll-out crisper pan

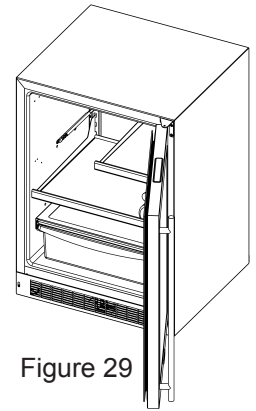


Figure 29

### Refrigerator:

#### 15" (38.1 cm) Wide Models:

Shown with a solid door. Figure 30.

(2) frame and flat glass cantilever shelves. (See Figure 35).

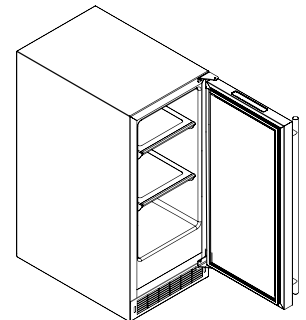


Figure 30

### Refrigerator:

#### 24" (61 cm) Wide Models:

Shown with a solid door. Figure 31.

(2) perforated metal cantilever shelves. (See Figure 33).

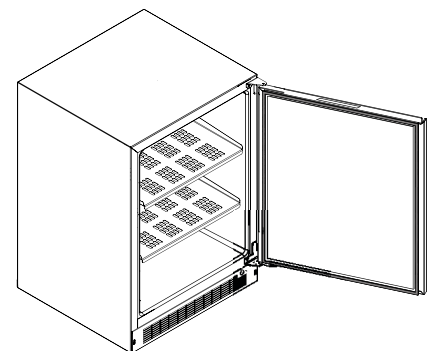


Figure 31

## NOTE

The **upper zone** is designed exclusively for the storage of wine. The **upper zone** cannot attain storage temperatures suitable for fresh food storage.

# SHELVING CONFIGURATIONS

## Refrigerator:

### 24" (61 cm) Wide Models:

Shown with a solid door with door racks. Figure 32.

- (1) half width flat glass cantilever shelf. (See Figure 35).
- (1) frame and slumped glass cantilever shelf.
- (1) frame and flat glass crisper cover.
- (1) roll-out crisper pan.
- (1) full width door storage rack.
- (1) half width door storage rack.

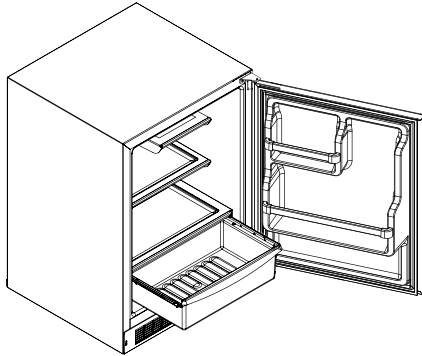
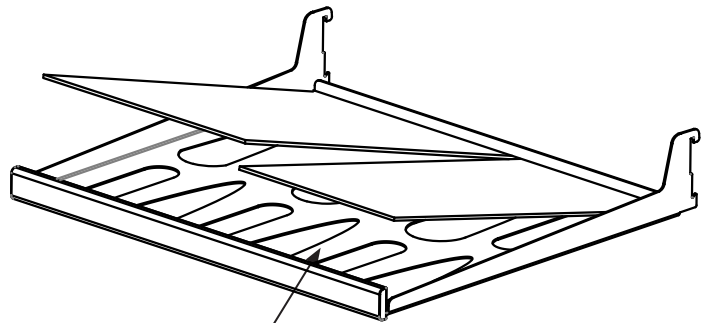


Figure 32



Wine shelf underneath glass—  
 Figure 36 Wine cutout and flat glass shelf with vibration dampening mat, all or part of the glass can be removed to increase or decrease wine storage and beverage areas.

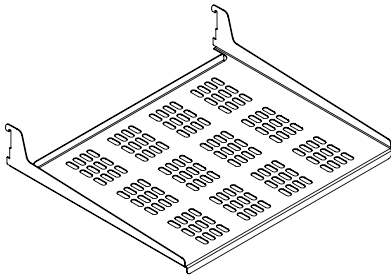


Figure 33  
 Perforated metal shelf

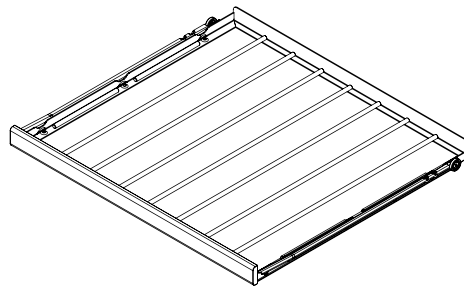


Figure 37  
 Pull-out wire wine shelf

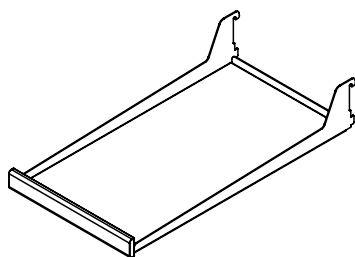


Figure 34  
 Frame and flat glass shelf  
 Half width shelf shown

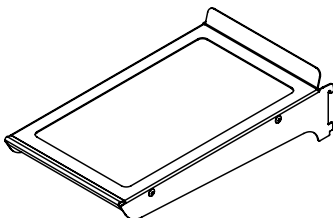


Figure 35  
 Frame and flat glass shelf  
 Half width shelf shown

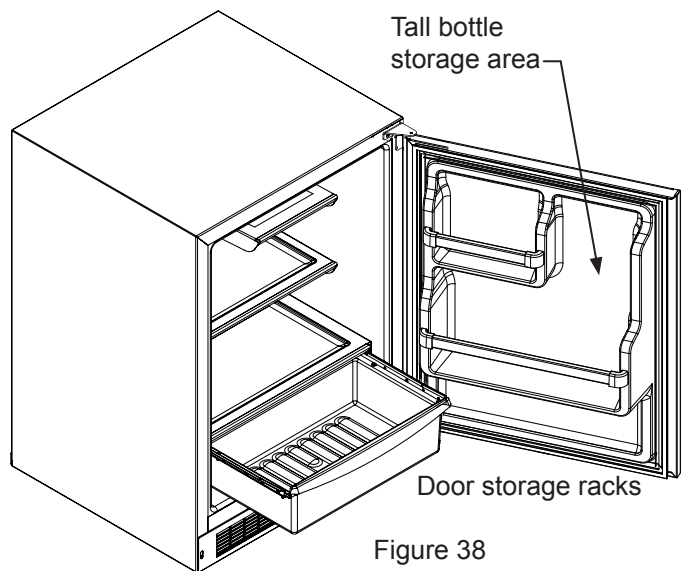


Figure 38

#### To remove the crisper :

Pull out until it stops. Lift up on the front of the pan, and remove it from the frame.

## SHELVING CONFIGURATIONS

### To Add or Remove a Shelf

Remove stored product from the shelf. Do not try to remove a loaded shelf from the appliance. Grasp the shelf front with both hands, rotate the front upward and lift out. (See Figure 39b). To install a shelf insert the shelf in the appliance and insert the top hooks into the shelf support slots and drop the shelf down so the hooks drop over the bottom of the slots.



**CAUTION**

Make sure your cantilever shelf is secure on the shelf supports by pressing down on the shelf before loading.

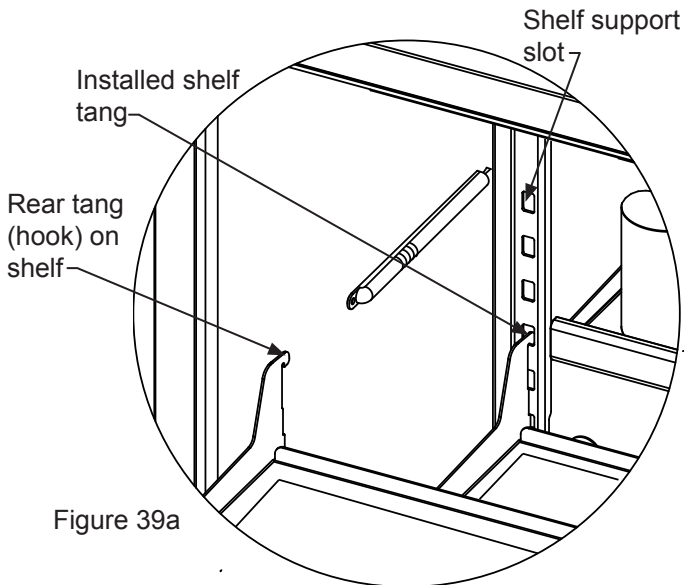


Figure 39a

Tall bottle storage area

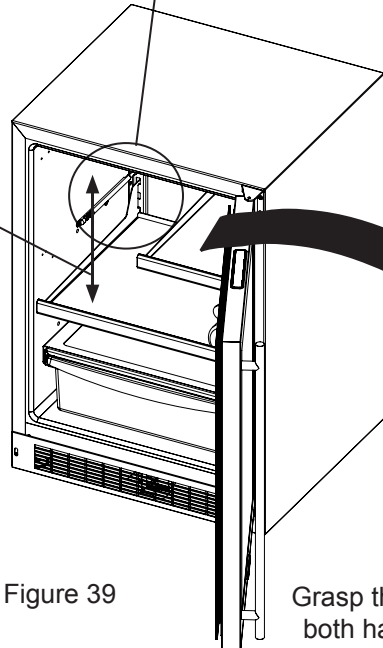


Figure 39

Grasp the shelf by the front with both hands and rotate the front of the shelf up, then lift the shelf up and remove the shelf from the shelf ladders.

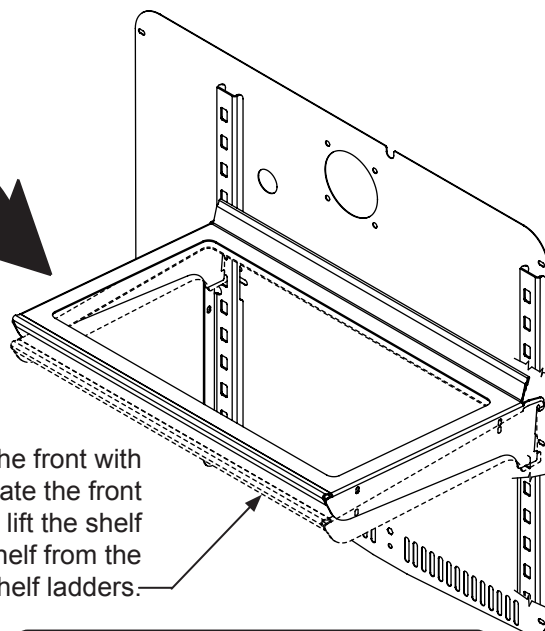


Figure 39b



**CAUTION**

Never try to move a loaded shelf, remove everything from the shelf before moving. Use both hands when moving the shelf.

## CARE AND CLEANING AND ENERGY SAVING TIPS

### Front Grille

Be sure that nothing obstructs the required air flow openings in front of the cabinet. At least once or twice a year, brush or vacuum lint and dirt from the front grille area (see page 4).



### CAUTION

**SHOCK HAZARD:** Disconnect electrical power from the appliance before cleaning with soap and water.

### Cabinet

The painted cabinet can be washed with either a mild soap and water and thoroughly rinsed with clear water. NEVER use abrasive scouring cleaners.

### Interior

Wash interior compartment with mild soap and water. Do NOT use an abrasive cleaner, solvent, polish cleaner or undiluted detergent.

### Care of Appliance

1. Avoid leaning on the door, you may bend the door hinges or tip the appliance.
2. Exercise caution when sweeping, vacuuming or mopping near the front of the appliance. Damage to the grille can occur.
3. Periodically clean the interior of the appliance as needed.
4. Periodically check and/or clean the front grille as needed.

### In the Event of a Power Failure

If a power failure occurs, try to correct it as soon as possible. Minimize the number of door openings while the power is off so as not to adversely affect the appliance's temperature.

### Light assembly replacement

All models use LED lamps to illuminate the interior of the appliance. This component is very reliable, but should one fail, contact a qualified service technician for replacement of the LED.

### The following suggestions will minimize the cost of operating your refrigeration appliance.

1. Do not install your appliance next to a hot appliance (cooker, dishwasher, etc.), heating air duct, or other heat sources.
2. Install product out of direct sunlight.
3. Ensure the front grille vents at front of appliance beneath door are not obstructed and kept clean to allow ventilation for the refrigeration system to expel heat.
4. Plug your appliance into a dedicated power circuit. (Not shared with other appliances).
5. When initially loading your new product, or whenever large quantities of warm contents are placed within refrigerated storage compartment, minimize door openings for the next 12 hours to allow contents to pull down to compartment set temperature.
6. Maintaining a relatively full storage compartment will require less appliance run time than an empty compartment.
7. Ensure door closing is not obstructed by contents stored in your appliance.
8. Allow hot items to reach room temperature before placing in product.
9. Minimize door openings and duration of door openings.
10. Use the warmest temperature control set temperature that meets your personal preference and provides the proper storage for your stored contents.
11. When on vacation or away from home for extended periods, set the appliance to warmest acceptable temperature for the stored contents.
12. Set the control to the "off" position if cleaning the appliance requires the door to be open for an extended period of time.
13. For wine storage products:  
When serving temperatures are not required, return the compartment(s) set temperature to the ideal red and white wine long term storage temperature of 13°C / 55°F.

## OBTAINING SERVICE

---

### If Service is Required:

- If the product is within the first year warranty period please contact your dealer or call AGA MARVEL Customer Service at 800.223.3900 for directions on how to obtain warranty coverage in your area.
- If the product is outside the first year warranty period, AGA MARVEL Customer Service can provide recommendations of service centers in your area. A listing of authorized service centers is also available at [www.agamarvel.com](http://www.agamarvel.com) under the service and support section.
- In all correspondence regarding service, be sure to give the service number, serial number, and proof of purchase.
- Try to have information or description of nature of the problem, how long the appliance has been running, the room temperature, and any additional information that may be helpful in quickly solving the problem.
- Table D is provided for recording pertinent information regarding your product for future reference.

For Your Records	
Date of Purchase	
Dealer's name	
Dealer's Address	
Dealer's City	
Dealer's State	
Dealer's Zip Code	
Appliance Serial Number	
Appliance Service Number	
Date Warranty Card Sent (Must be within 10 days of purchase).	

Table D

# TROUBLESHOOTING

## Before You Call for Service

If the appliance appears to be malfunctioning, read through this manual first. If the problem persists, check the troubleshooting guide below. Locate the problem in the guide and refer to the cause and its remedy before calling for service. The problem may be something very simple that can be solved without a service call. However, it may be required to contact your dealer or a qualified service technician.



In the unlikely event you lose cooling in your unit, **do not unplug the product from the electric supply**, but do call a qualified service technician immediately. It is possible that the loss of cooling capacity is a result of excessive frost build-up on the evaporator cooling coil. In this case, removing power to the unit will result in the melting of this excessive quantity of ice, which could generate melt water that exceeds the capacity of the defrost drain system and could result in water damage to your home. The end-user will be ultimately responsible for any water damage caused by prematurely turning the unit off without appropriately managing the excess water run-off.

### WARNING

**Electrocution Hazard**

- Never attempt to repair or perform maintenance on the appliance until the main electrical power has been disconnected. Turning the appliance control "OFF" does not remove electrical power from the unit's wiring.
- Replace all parts and panels before operating.

Problem	Possible Cause	Remedy
Appliance not cold enough  (See "Adjusting the temperature" on page 8)	<ul style="list-style-type: none"> <li>• Control set too warm</li> <li>• Content temperature not stabilized.</li> <li>• Excessive usage or prolonged door openings.</li> <li>• Airflow to front grille blocked.</li> <li>• Door gasket not sealing properly.</li> </ul>	<ul style="list-style-type: none"> <li>• Adjust temperature colder. Allow 24 hours for temperature to stabilize.</li> <li>• Allow temperature to stabilize for at least 24 hours.</li> <li>• Airflow must not be obstructed to front grille. See "clearances" on page 4.</li> <li>• Replace door gasket.</li> </ul>
Appliance too cold  (See "Adjusting the Temperature" on page 8)	<ul style="list-style-type: none"> <li>• Control set too cold</li> <li>• Door gasket not sealing properly.</li> </ul>	<ul style="list-style-type: none"> <li>• Adjust temperature warmer. Allow 24 hours for temperature to stabilize.</li> <li>• Replace door gasket.</li> </ul>
No interior light.	<ul style="list-style-type: none"> <li>• Failed LED light assembly or light switch.</li> </ul>	<ul style="list-style-type: none"> <li>• Contact a qualified service technician.</li> </ul>
Light will not go out when door is closed	<ul style="list-style-type: none"> <li>• Display light is turned on. (Glass door models only.)</li> <li>• Door not activating light switch.</li> <li>• Failed light switch</li> </ul>	<ul style="list-style-type: none"> <li>• Turn off display light, shut door.</li> <li>• Appliance not level, level appliance, (See page 4, "leveling legs")</li> <li>• Contact a qualified service technician.</li> </ul>
Noise or Vibration	<ul style="list-style-type: none"> <li>• Appliance not level</li> <li>• Fan hitting tube obstruction.</li> </ul>	<ul style="list-style-type: none"> <li>• Level appliance, see "Leveling Legs" on page 4.</li> <li>• Contact a qualified service technician.</li> </ul>
Appliance will not run.	<ul style="list-style-type: none"> <li>• Appliance turned off</li> <li>• Power cord not plugged in.</li> <li>• No power at outlet.</li> </ul>	<ul style="list-style-type: none"> <li>• Turn appliance on. See "Starting your appliance" on page 8.</li> <li>• Plug in power cord.</li> <li>• Check house circuit.</li> </ul>



# HOUSEHOLD PRODUCT WARRANTY

## Entire Product

### Limited One Year Parts and Labor Warranty

AGA MARVEL warrants that it will supply all necessary parts and labor to repair or replace in the end user's home or office, any component which proves to be defective in material or workmanship, subject to the condition and exclusions stated below, for a period of one year from the date of purchase by the end user.

### Additional Second Through Fifth Year

#### Limited Parts Only Warranty

During the four years following expiration of the one year limited warranty, AGA MARVEL will supply replacement parts for the hermetically sealed refrigeration system which consists of the compressor, condenser, drier, accumulator, bypass valve, connecting tubing and the evaporator that are proven to be defective due to workmanship or materials subject to the conditions and exclusions below.

The above warranties do not cover:

- Shipping costs of replacement parts or returned defective parts.
- Customer education or instructions on how to use the appliance.
- Any content loss due to product failure.
- Removal or installation of product.

Nor do the above warranties cover failure of this product or its components due to:

- Transportation or subsequent damages.
- Commercial use or use other than normal household or small office.
- Improper installation, misuse, abuse, accident or alteration, use of wiring not conforming to electrical codes, low or high voltages, failure to provide necessary maintenance, or other unreasonable use.

## Parts or Service

### Not Supplied or Designated by AGA MARVEL

The above warranties also do not apply if:

- The original bill of sale, deliver date, or serial number cannot be verified.
- Defective parts are not returned for inspection if so requested by AGA MARVEL.
- The refrigeration equipment is not in the possession of the original end use purchaser.

The warranties set forth herein are the only warranties extended by AGA MARVEL. Any implied warranties, including the implied warranty of merchantability, are limited to the duration of these express warranties. In no event shall AGA MARVEL be liable for any consequential or incidental damages or expenses resulting from breach of these or any other warranties, whether express or implied.

Some states do not allow the exclusion or limitation of consequential damages or a limitation on how long an implied warranty lasts, so the above exclusion or limitation may not apply to you. This warranty gives you specific legal rights and you may have other rights that may vary from state to state.

No person, firm, or corporation is authorized to make any other warranty or assume any other obligation for AGA MARVEL. These warranties apply only to products used in any of the fifty states of the United States and the District of Columbia.

To obtain performance of this warranty, report any defects to:

**AGA MARVEL**  
1260 E. VanDeinse St.  
Greenville MI 48838

Phone: 800.223.3900









[www.agamarvel.com](http://www.agamarvel.com)

**AGA MARVEL**

1260 E. VanDeinse St.  
Greenville MI 48838

800.223.3900

41013316-EN Rev R  
3/23/18

All specifications and product designs subject to change without notice. Such revisions do not entitle the buyer to corresponding changes, improvements, additions, replacements or compensation for previously purchased products.

- EN** Installation, Operation and Maintenance Instructions  
**FR** Instructions d'installation, d'utilisation et d'entretien  
**ES** Instrucciones de instalación, operación y mantenimiento

Refrigerators  
Réfrigérateurs  
Refrigeradores

**ML24BC**  
**MA24BC**  
**ML24BR**  
**MA24BR**  
**ML15RA**  
**ML24RA**  
**MA24RA**  
**ML24WB**



# CONTENU

## Contenu :

Informations de sécurité.....	2
Déballage de votre appareil .....	3
Enregistrement de la garantie .....	3
Installation de votre appareil .....	4
Dégagements par rapport à l'armoire .....	4
Mise à niveau de l'appareil .....	4
Raccordement électrique.....	5
Dimensions du produit.....	6
Utilisation de votre commande électronique .....	8
Démarrage de votre appareil .....	8
Mode veille .....	8
Mise en marche et arrêt de votre appareil .....	8
Réglage de la température .....	8
Éclairage intérieur d'exposition.....	9
Mode température .....	9
Verrouillage des commandes .....	10
Codes d'erreur des capteurs de température .....	10
Alertes.....	10
Porte entrouverte .....	10
Panne de secteur .....	11
Alerte de température .....	11
Mode vacances .....	11
Installation de panneau de revêtement .....	12
Configurations de étagères .....	19
Entretien et nettoyage .....	22
Conseils pour l'économie d'énergie .....	22
Obtention de service .....	23
Dépannage.....	24
Garantie.....	25

## Importantes instructions de sécurité

Les avertissements et les instructions de sécurité qui apparaissent dans ce guide n'ont pas la prétention de couvrir toutes les conditions et situations possibles pouvant arriver. Il faut faire preuve de bon sens, de précautions et de soins, pour installer, utiliser ou entretenir cet appareil.

## Reconnaissance des symboles, des mots et des étiquettes concernant la sécurité.



### AVERTISSEMENT

**AVERTISSEMENT** - Risque possible de décès ou de blessure grave si vous ne suivez pas les instructions.



### ATTENTION

**ATTENTION** - Risques ou pratiques dangereuses pouvant entraîner des blessures individuelles, des dégâts matériels ou des dommages au produit.

### REMARQUE

**REMARQUE** - Information importante pour réaliser une installation et une utilisation sans problèmes.



### AVERTISSEMENT

**Avvertissements de la proposition 65 de l'État de Californie**  
: Ce produit contient au moins un produit chimique connu par l'État de Californie pour être à l'origine de cancers.



### AVERTISSEMENT

**Avvertissements de la proposition 65 de l'État de Californie**  
: Ce produit contient au moins un produit chimique connu par l'État de Californie pour être à l'origine de malformations et autres déficiences de naissance.

# DÉBALLAGE DE VOTRE APPAREIL



## AVERTISSEMENT

### AVERTISSEMENT RISQUE DE POIDS EXCESSIF

Utilisez deux personnes ou plus pour déplacer le produit.  
Sinon vous pourriez vous blesser.

### Enlèvement de l'emballage intérieur

Votre réfrigérateur a été emballé pour l'expédition avec toutes les pièces pouvant être endommagées par le mouvement solidement attachées. Enlevez les matériaux d'emballage intérieur et toute bande maintenant des composants intérieurs en place. Le manuel de l'utilisateur est envoyé à l'intérieur de l'appareil dans un sac en plastique, accompagné de la carte d'enregistrement de la garantie, et d'autres articles accessoires.

### Important

Conservez votre carton d'emballage jusqu'à ce que votre réfrigérateur ait été complètement inspecté et trouvé en bon état. S'il présentait des dommages, cet emballage serait nécessaire comme preuve qu'ils sont survenus durant le transit. Ensuite veuillez mettre tous ces matériaux d'emballage au rebut d'une façon responsable.



## AVERTISSEMENT

**AVERTISSEMENT** - Jetez bien les sacs en plastique qui représentent un risque de suffocation.

### Note pour le client

Cette marchandise a été soigneusement et complètement inspectée avant de quitter notre usine. La responsabilité pour sa livraison sûre a été assumée par le revendeur à l'acceptation de cette expédition. Les réclamations pour perte ou dommages survenus durant le transit sont à adresser au revendeur.

## REMARQUE

NE RENVOYEZ PAS DE MARCHANDISE ENDOMMAGÉE AU FABRICANT – DÉPOSEZ UNE RÉCLAMATION AUPRÈS DU REVENDEUR.



## ATTENTION

Si l'appareil a été livré, manipulé ou entreposé dans une position autre que debout, pendant une durée quelconque, laissez-le reposer debout pendant au moins 24 heures avant de la brancher électriquement. Cela assurera le retour de l'huile au compresseur. Un branchement immédiat de l'appareil pourrait endommager des parties internes.

### Enregistrement de la garantie

Il est important que vous postiez votre carte de garantie immédiatement après avoir pris livraison de votre réfrigérateur.

Les informations suivantes seront nécessaires au moment de l'enregistrement de votre appareil :

- Numéro de service
- Numéro de série
- Date d'achat
- Nom et adresse du revendeur

**Enregistrement en ligne disponible sur [www.agamarvel.com](http://www.agamarvel.com)**

Le numéro de service et le numéro de série se trouvent sur la plaque signalétique qui est située à l'intérieur de l'armoire, du côté gauche près du haut (Voyez la Figure 1).

AGA MARVEL  
GREENVILLE, MI 48838

MODEL NO. [XXXXXXXXXXXX]

SERVICE NO. [XXXXXXXXXXXX]

SERIAL NO. [XXXXXXXXXXXX]

HZ [ ] VOLTS [ ] AMPS [ ] R134A [ ] OZ [ ]

TEST PRESSURE 140 PSI LOW SIDE  
300 PSI HIGH SIDE

Figure 1



## AVERTISSEMENT

### AVERTISSEMENT - Contribuez à éviter des tragédies

L'emprisonnement d'enfants et leur asphyxie ne sont pas des problèmes du passé. Des épaves de réfrigérateurs abandonnés continuent de présenter un danger - même en restant dehors pour «juste quelques heures».

Si vous devez vous débarrasser de votre vieil appareil de refroidissement, veuillez suivre ces instructions pour aider à éviter des accidents possibles.

Avant de jeter votre vieux réfrigérateur ou congélateur :

- Démontez ses portes ou enlevez ses tiroirs.
- Laissez les étagères en place de façon à ce que des enfants ne puissent pas facilement monter dedans.

# INSTALLATION DE VOTRE APPAREIL

## Choix de l'emplacement

Un bon emplacement assurera une performance de pointe pour votre appareil. Nous recommandons un endroit où l'appareil ne sera pas exposé directement au rayonnement solaire et restera écarté de sources de chauffage. Pour assurer que les performances de votre produit soient au niveau de ses spécifications, la plage de températures recommandée au lieu d'installation sera de 55 à 100°F (13 à 38 °C).

## Dégagements par rapport à l'armoire

Une ventilation est nécessaire depuis la section frontale du bas de l'armoire. Gardez cette zone libre et exempte de toutes obstructions. Des meubles et comptoirs peuvent être installés autour de l'unité de façon adjacente dans la mesure où sa grille frontale restera non obstruée. Les modèles à revêtement de porte avec charnières articulées sont prévus pour des applications encastrées uniquement.



## AVERTISSEMENT

Un kit optionnel d'empilage est nécessaire pour empiler des produits. Le fait de ne pas utiliser de kit d'empilage peut entraîner une blessure corporelle. Contactez votre revendeur ou le service à la clientèle de Marvel au 800-223-3900 pour le commander.

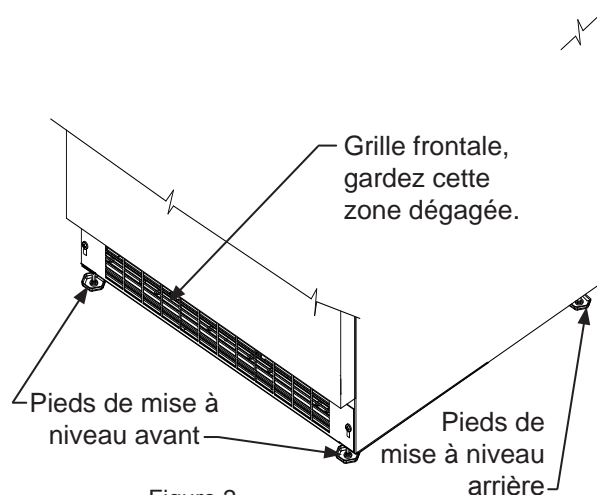


Figure 2

## Pieds de mise à niveau

Des pieds réglables aux angles avant et arrière de l'armoire doivent être ajustés pour qu'elle soit fermement positionnée au sol et bien d'aplomb, d'un côté à l'autre et d'avant en arrière. La hauteur totale de votre appareil Marvel peut être ajustée entre le minimum (en vissant les pieds de mise à niveau, CW ↻) et le maximum (en dévissant les pieds de mise à niveau CCW ↻) des dimensions comme c'est montré au Tableau «A».

Pour régler ces pieds de mise à niveau, placez l'appareil sur une surface solide, en protégeant le sol en dessous pour ne pas le rayer. Avec l'aide d'une autre personne, inclinez vers l'arrière de l'appareil pour accéder aux pieds de mise à niveau de l'avant. Levez ou abaissez ces pieds à la hauteur requise en les tournant. Répétez la procédure pour les pieds arrière en inclinant le réfrigérateur vers l'avant en faisant attention. Sur une surface plane, vérifiez le niveau de l'appareil et ajustez les pieds en conséquence.

Les vis de la grille frontale peuvent être desserrées et la grille ajustée à la hauteur voulue. Quand le réglage est fait resserrez les vis de la grille frontale (Voyez la Figure 5).



## ATTENTION

## Grille frontale

N'obstruez pas la grille frontale. Les ouvertures au travers de la grille frontale permettent l'écoulement de l'air par l'échangeur thermique du condenseur. Des restrictions de ce flux d'air vont augmenter la consommation d'énergie et affecter sa capacité de refroidissement. C'est pourquoi il est important que cette zone ne soit pas obstruée et soit maintenue propre. AGA MARVEL recommande de ne pas utiliser de grilles personnalisées, car l'écoulement d'air en serait diminué (Voyez la Figure 2).

Modèle	Style de Poute	Minimum Height	Maximum Height
ML(15)(24)*	(S) ou (G)	33 ¾ po (85,7 cm)	34 ¾ po (88,3 cm)
ML(15)(24)*	(P ou (F)	34 po (86,4 cm)	35 po (88,9 cm)
MA24*	(S) ou (G)	31 ⅛ po (79,1 cm)	32 ⅛ po (81,6 cm)
MA24*	(P ou (F)	31 ⅜ po (79,7 cm)	32 ⅜ po (82,2 cm)

Tableau A



## INSTALLATION DE VOTRE APPAREIL

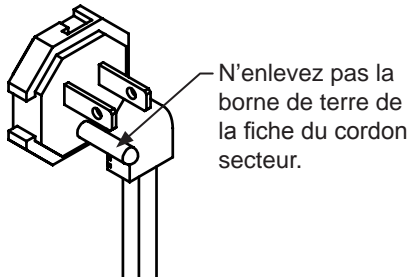


Figure 3

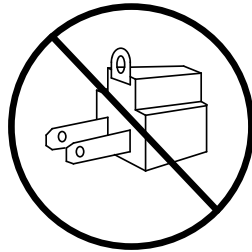


Figure 4



### AVERTISSEMENT

#### Risque de commotion électrique

- N'utilisez pas de rallonge secteur avec cet appareil. Cela peut être dangereux et peut affecter la performance du produit.
- Cet appareil ne doit sous aucun prétexte être installé sur une alimentation électrique sans liaison de terre.
- N'enlevez pas la borne de terre de la fiche du cordon secteur. (Voyez la Figure 3).
- N'utilisez pas d'adaptateur entre fiche et prise. (Voyez la Figure 4).
- N'envoyez pas d'eau par éclaboussure ou par jet d'un tuyau sur l'appareil. Cela pourrait causer une commotion électrique, entraînant potentiellement des blessures graves voire mortelles.

#### Raccordement électrique

Un circuit secteur dédié en 115 V supportant 15 A est nécessaire.

Ce produit est équipé en usine d'un cordon secteur comportant une fiche avec terre à trois broches. Il faut la brancher dans une prise secteur correspondante avec terre, en conformité avec la norme électrique américaine et les normes et réglementations locales applicables (Voyez la Figure 6). Si le circuit ne comporte pas une prise avec terre, le client doit en fournir une adéquate; c'est sa responsabilité et son obligation. La troisième broche de terre ne doit en aucun cas être coupée ou enlevée.

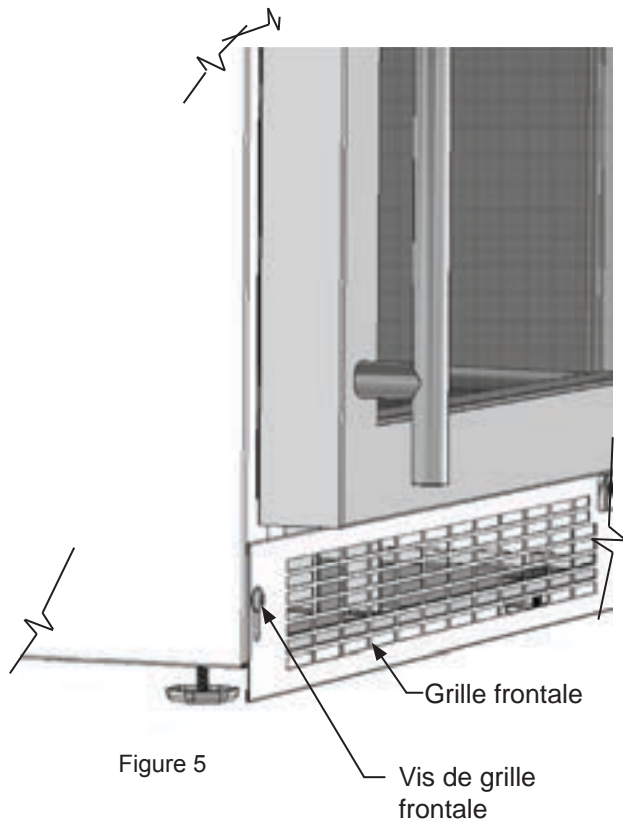


Figure 5

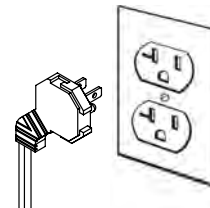


Figure 6

### REMARQUE

Un disjoncteur sur détection de courant de fuite (GFCI) a tendance à provoquer des déclenchements intempestifs qui peuvent arrêter l'appareil. Ce type de protection n'est en général pas utilisé sur de l'équipement électrique qui doit tourner sans surveillance pendant de longues périodes, sauf si c'est imposé par les normes de construction et réglementations locales.

# DIMENSIONS DU PRODUIT

MODÈLE	DIMENSIONS D'OUVERTURE BRUTE			DIMENSIONS D'ARMOIRE					
	«A»	«B»	«C»	«D»	«E»	«F»	«G»	«H»	«J»
ML15**(G) ou (S)	15 po (38,1 cm)	**34 po à 35 po (86,4 à 88,9 cm)	24 po (61 cm)	14 <sup>7</sup> / <sub>8</sub> po (37,8 cm)	33 <sup>3</sup> / <sub>4</sub> po à 34 <sup>3</sup> / <sub>4</sub> po (85,7 à 88,3 cm)	23 <sup>23</sup> / <sub>32</sub> po (60,2 cm)	25 <sup>21</sup> / <sub>32</sub> po (65,2 cm)	37 <sup>13</sup> / <sub>32</sub> po (95 cm)	16 <sup>11</sup> / <sub>16</sub> po (42,4 cm)
ML15**(P) ou (F)	15 po (38,1 cm)	**34 <sup>1</sup> / <sub>4</sub> po à 35 <sup>1</sup> / <sub>4</sub> po (87 à 89,5 cm)	* 24 po (61 cm)	14 <sup>7</sup> / <sub>8</sub> po (37,8 cm)	34 po à 35 po (86,4 à 88,9 cm)	22 <sup>7</sup> / <sub>8</sub> po (58,1 cm)	-	37 <sup>1</sup> / <sub>2</sub> po (95,2 cm)	14 <sup>1</sup> / <sub>8</sub> po (35,9 cm)
ML24**(G) ou (S)	24 po (61 cm)	**34 po à 35 po (86,4 à 88,9 cm)	24 po (61 cm)	23 <sup>7</sup> / <sub>8</sub> po (60,7 cm)	33 <sup>3</sup> / <sub>4</sub> po à 34 <sup>3</sup> / <sub>4</sub> po (85,7 à 88,3 cm)	23 <sup>23</sup> / <sub>32</sub> po (60,2 cm)	25 <sup>21</sup> / <sub>32</sub> po (65,2 cm)	46 <sup>13</sup> / <sub>32</sub> po (117,9 cm)	25 <sup>11</sup> / <sub>16</sub> po (65,2 cm)
ML24**(P) ou (F)	24 po (61 cm)	**34 <sup>1</sup> / <sub>4</sub> po à 35 <sup>1</sup> / <sub>4</sub> po (87 à 89,5 cm)	* 24 po (61 cm)	23 <sup>7</sup> / <sub>8</sub> po (60,7 cm)	34 po à 35 po (86,4 à 88,9 cm)	22 <sup>7</sup> / <sub>8</sub> po (58,1 cm)	-	46 <sup>1</sup> / <sub>2</sub> po (118,1 cm)	23 <sup>1</sup> / <sub>8</sub> po (58,7 cm)
MA24**(G) ou (S)	24 po (61 cm)	** 31 <sup>3</sup> / <sub>8</sub> po à 32 <sup>3</sup> / <sub>8</sub> po (79,7 à 82,2 cm)	24 po (61 cm)	23 <sup>7</sup> / <sub>8</sub> po (60,7 cm)	31 <sup>1</sup> / <sub>8</sub> po à 32 <sup>1</sup> / <sub>8</sub> po (79,1 à 81,6 cm)	23 <sup>23</sup> / <sub>32</sub> po (60,2 cm)	25 <sup>21</sup> / <sub>32</sub> po (65,2 cm)	46 <sup>13</sup> / <sub>32</sub> po (117,9 cm)	25 <sup>11</sup> / <sub>16</sub> po (65,2 cm)
MA24**(P) ou (F)	24 po (61 cm)	** 31 <sup>3</sup> / <sub>8</sub> po à 32 <sup>3</sup> / <sub>8</sub> po (80,3 à 82,9 cm)	* 24 po (61 cm)	23 <sup>7</sup> / <sub>8</sub> po (60,7 cm)	31 <sup>1</sup> / <sub>8</sub> po à 32 <sup>3</sup> / <sub>8</sub> po (79,7 à 82,2 cm)	22 <sup>7</sup> / <sub>8</sub> po (58,1 cm)	-	46 <sup>1</sup> / <sub>2</sub> po (118,1 cm)	23 <sup>3</sup> / <sub>8</sub> po (58,7 cm)

STYLE DE PORTE
(G) Porte en verre
(S) Porte pleine
(P) Porte pleine à revêtement (sans poignée)
(F) Porte en verre à revêtement (sans poignée)

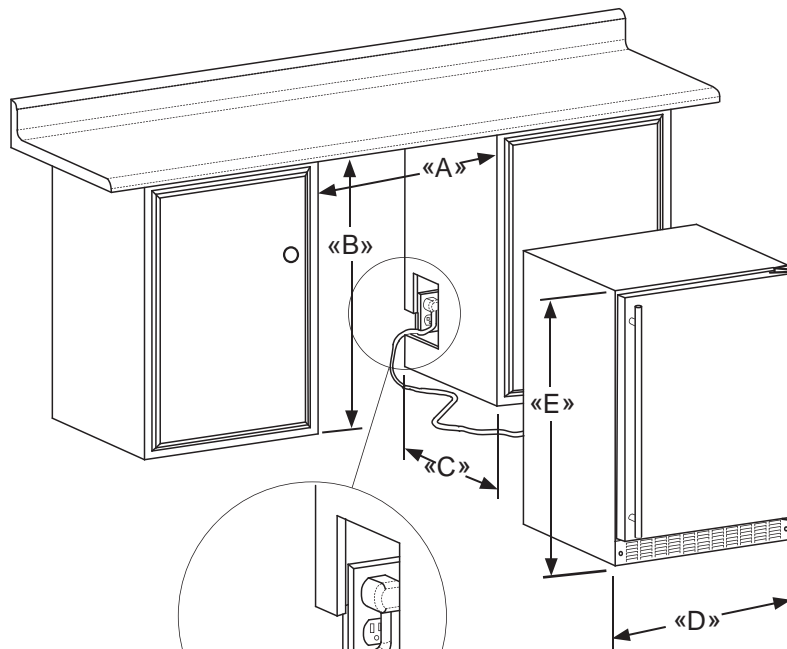


Figure 7  
Vue de du (S)  
porte pleine

Figure 7a

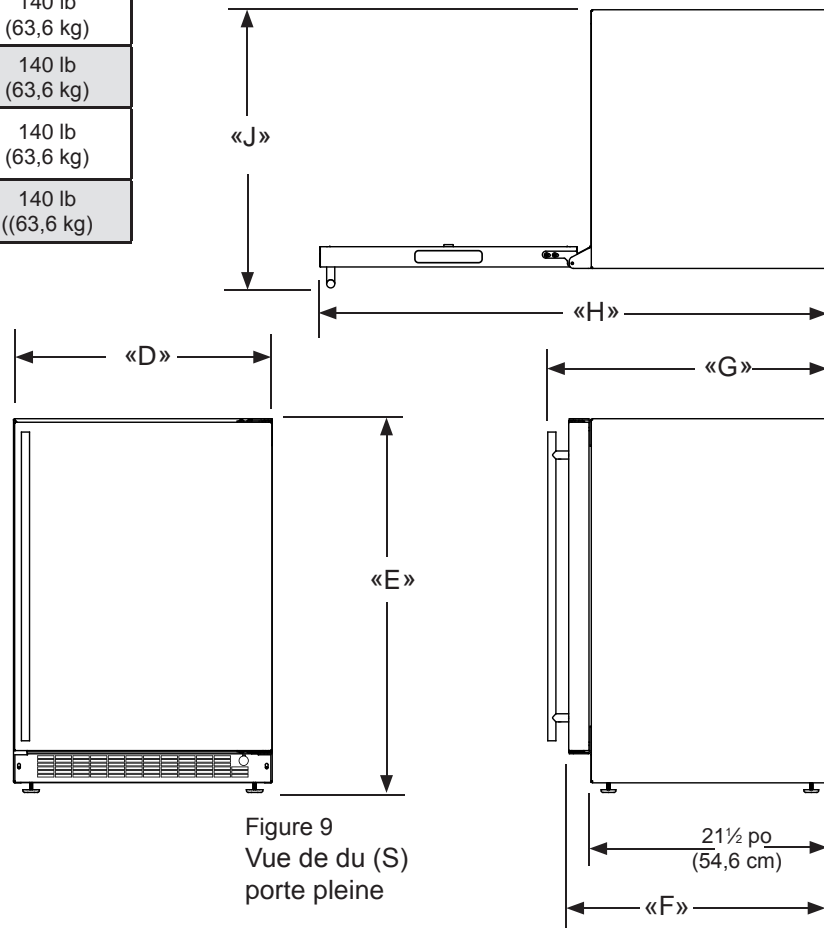


Figure 8

S'il est nécessaire de gagner du dégagement à l'intérieur de l'ouverture brute, un trou peut être percé au travers du meuble adjacent et le cordon d'alimentation passé par ce trou jusqu'à une prise secteur. Une autre façon d'augmenter la profondeur disponible dans l'ouverture est d'encaster la prise secteur dans le mur arrière afin de gagner l'épaisseur de la fiche du cordon. Tous les types de prises secteur encastrées ne fonctionneront pas pour cette application car elles pourraient être trop étroites, mais un modèle équivalent à l'Arlington #DVFR1W est recommandé pour cette application (Voyez la Figure 8).

## DIMENSIONS DU PRODUIT

DONNÉES DE PRODUIT		
MODÈLE	BESOINS ÉLECTRIQUES #	POIDS DU PRODUIT
ML15**(G) ou (S)	115V/60Hz/15A	105 lb (47,7 kg)
ML15**(P) ou (F)	115V/60Hz/15A	105 lb (47,7 kg)
ML24**(G) ou (S)	115V/60Hz/15A	140 lb (63,6 kg)
ML24**(P) ou (F)	115V/60Hz/15A	140 lb (63,6 kg)
MA24**(G) ou (S)	115V/60Hz/15A	140 lb (63,6 kg)
MA24**(P) ou (F)	115V/60Hz/15A	140 lb (63,6 kg)



\* Pour installer les modèles (F) et (P) avec la face de porte alignée avec les portes des meubles de rangement adjacents, l'épaisseur du panneau décoratif du client ne peut pas dépasser 3/4 po (19mm).

\*\* L'ouverture brute minimale nécessaire doit être supérieure à la hauteur ajustée de l'armoire.

# Un circuit secteur dédié avec liaison de terre supportant 15 A est nécessaire. Appliquez toutes les normes de construction locales à l'installation de l'électricité et de l'appareil.

APPLICABLE AUX MODÈLES SUIVANTS DE MARVEL			
ML15BC	MA24BC		
ML15RA	MA24BR		
	MA24RA		
	ML24BC		
	ML24BR		
	ML24RA		
	ML24WB		

# UTILISATION DE VOTRE COMMANDE ÉLECTRONIQUE



Figure 10  
Commandes électroniques



## Démarrage de votre celliers (Zone unique ou deux zones) :

Branchez la prise du cordon d'alimentation du cellier dans une prise murale de secteur 115 V. Votre appareil sort de l'usine en position de marche (ON) et va commencer le refroidissement dès sa mise sous tension. Si l'appareil ne démarre pas, vérifiez que la prise murale est alimentée et que la commande est bien en position de marche (ON). Voyez la partie «Mise en marche et arrêt de votre appareil».

L'afficheur de votre commande est protégé d'un film transparent en plastique. Ce film doit être ôté en le pelant soigneusement à partir d'un angle.

Au démarrage initial, l'afficheur du contrôle montre une alerte «Panne secteur». C'est une condition normale, car le cellier a été alimenté en usine pour l'inspection de qualité et a été débranché. Un appui momentané sur la touche M/A (ON/OFF) va effacer cette condition d'alerte. (Voyez la section sur les alertes en page 10).



## Mode veille :

Si aucune commande n'est actionnée pendant 60 secondes, l'afficheur va passer en mode veille pour économiser l'énergie. Le panneau de commande va s'éteindre à l'exception de l'indicateur de statut de système «OK» qui va rester activé. D'éventuelles conditions d'alerte vont réveiller l'afficheur (Voyez les alertes en page 10).

**Afin d'effectuer les changements entre parenthèses à la configuration de commandes (mise en marche ou arrêt, réglage de température de consigne, changement des éclairages d'intérieur, activation du mode vacances), la commande doit être réveillée.**

Pour activer l'affichage, appuyez sur n'importe quelle touche. Un signal sonore de confirmation retentira, et la température actuelle du compartiment de conservation sera affichée.

Le mode veille peut être désactivé si vous préférez obtenir un affichage continu. Appuyez sur la commande de verrouillage (symbole de verrouillage) jusqu'à ce que l'afficheur quitte «Loc» et montre «nSL». Pour activer le mode de veille, répétez la même opération, jusqu'à ce que l'afficheur quitte «Loc» et montre «SLP».



## Passage de l'appareil en marche ou arrêt :

Si l'appareil est en marche (ON), et n'est pas en mode veille, la température sera montrée dans la zone d'affichage de la commande. Pour arrêter le cellier, appuyez sur le bouton «ON/OFF» en le maintenant enfoncé pendant (4) secondes. «OFF» sera maintenant affiché à la commande.



Pour remettre le cellier en marche (ON), appuyez sur le bouton «ON/OFF» en le maintenant enfoncé pendant (4) secondes.

## Réglage de la température :

### REMARQUE

Quand vous chargez au tout début votre cellier avec des produits encore tièdes, il peut falloir jusqu'à 48 heures pour que la température du compartiment de conservation se stabilise.

Quand vous effectuez des changements de point de consigne, cela peut prendre 24 heures pour que les denrées conservées se stabilisent à cette nouvelle température.

# UTILISATION DE VOTRE COMMANDE ÉLECTRONIQUE

Certains facteurs affectent la température stabilisée du compartiment de conservation :

- Changements de consigne de température.
- Changements de température ambiante de la pièce.
- Température des denrées du cellier.
  - Chargement de nouvelles denrées plus chaudes.
  - Un contenu chargé froid va retarder le passage à une température de consigne plus chaude.
  - Un contenu chargé chaud va retarder le passage à une température de consigne plus froide.
- Habitudes d'utilisation (nombre et durée des ouvertures de porte).
- Utilisation de l'éclairage de présentation du compartiment d'entreposage (cellier à porte en verre uniquement).
- Installation du cellier à la lumière solaire directe ou près d'une source de chaleur.



## Modèles à zone unique :

Pour déterminer ou contrôler le point de consigne de température (avec la commande électronique sortie de son mode veille), appuyez sur les touches "-" ou "+". "SET" (Réglage) sera indiqué sur le panneau d'interface utilisateur et la consigne actuelle de température sera affichée et clignotera. Des appuis sur les touches "-" ou "+" par la suite abaisseront ou élèveront respectivement la consigne. Quand vous avez atteint la valeur de consigne de température que vous désiriez, appuyez sur la commande M/A (On/Off) pour valider, ou si vous ne faites rien le mode de réglage va se désactiver 10 secondes après, et la température affichée sera prise comme le prochain point de consigne.

La plage de température pour le point de consigne acceptable pour votre celliers va de 34°F (1.2°C) to 42°F (5.7°C). Si vous essayez de régler la consigne hors de cette plage vous recevrez une notification de refus sonore.



## Modèles à deux zones :

Les températures peuvent être fixées pour chaque zone indépendamment (supérieure et inférieure) dans la celliers à deux zones. Pour cela, vous devez d'abord sélectionner la zone pour laquelle vous voulez fixer la température. Vous le faites en appuyant sur le bouton d'augmentation ou de diminution à l'affichage. Après cela le voyant DEL sera éclairé pour la zone sélectionné.



Pour changer le point de consigne de température pour une zone particulière (avec la commande électronique sortie de son mode veille), appuyez sur les touches "-" ou "+". "SET" (Réglage) sera indiqué sur le panneau d'interface utilisateur et la consigne actuelle de température sera affichée et clignotera. Des appuis sur les touches "-" ou "+" par la suite abaisseront ou élèveront respectivement la consigne. Quand vous avez atteint la valeur de consigne de température que vous désiriez, appuyez sur la commande M/A (On/Off) pour valider, ou, si vous ne faites rien, le mode de réglage va se désactiver 10 secondes après, et la température affichée sera prise comme le prochain point de consigne.

La plage de température pour le point de consigne acceptable pour votre celliers va de 34°F (1.2°C) to 42°F (5.7°C) pour la zone inférieure, et de 45°F (7°C) to 60°F (16°C) pour la zone supérieure. Si vous essayez de régler la consigne hors de cette plage vous recevrez une notification de refus sonore.

## REMARQUE

Les zone supérieure sont conçues exclusivement pour y garder des vins. Elles ne peuvent pas atteindre des températures de conservation convenant à l'entreposage d'aliments frais.



## Éclairage intérieur de présentation (Zone unique ou deux zones) :

(Modèles à porte vitrée uniquement). Votre appareil est équipé d'un dispositif d'éclairage de présentation à deux niveaux d'intensité. Avec la commande électronique sortie du mode veille, appuyez sur la commande d'éclairage (symbole d'ampoule) pour activer l'éclairage intérieur de présentation à pleine intensité. Une tonalité de confirmation va retentir, et l'icône d'ampoule d'éclairage va s'allumer. Un deuxième appui sur la commande d'éclairage (symbole d'ampoule) va atténuer l'éclairage à 50 %. Un troisième appui va désactiver totalement l'éclairage intérieur. Cet éclairage intérieur va se couper automatiquement après 4 heures.



## Mode d'affichage de température (Zone unique ou deux zones) :

Le mode de température est pré-réglé en usine pour degrés Fahrenheit (°F), mais vous avez l'option de commuter l'affichage en degrés Celsius (°C). Pour changer de mode d'affichage, actionnez et maintenez appuyée la commande «-» tout en appuyant sur la commande «+», puis relâchez seulement la commande «-». L'affichage de température se fera maintenant en degrés Celsius (°C). Répétez la même procédure pour revenir à un affichage de température en degrés Fahrenheit (°F).

# UTILISATION DE VOTRE COMMANDE ÉLECTRONIQUE



## Verrouillage des commandes (Zone unique ou deux zones) :

Le panneau de commandes peut être verrouillé pour éviter des changements inopinés. Pour verrouiller les commandes, actionnez la commande de verrouillage (Lock) et maintenez-la appuyée jusqu'à ce que l'afficheur montre «Loc», puis immédiatement relâchez l'appui. L'icône de verrou va clignoter trois fois puis rester allumée. Quand le panneau de commandes est verrouillé seulement la commande de verrouillage (Lock), l'indicateur de statut de système OK et l'indicateur d'alerte restent activés. Pour déverrouiller le panneau de commandes, recommencez la même séquence jusqu'à ce que l'afficheur montre «nLc». Puis immédiatement relâchez l'appui.

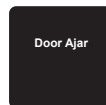
### REMARQUE



Si le verrouillage des commandes est active (l'icône de verrouillage illuminée), il faut déverrouiller la commande avant qu'on puisse utiliser la touche pour restaurer une alerte. Voir page 10 (Verrouillage des commandes) pour les instructions de déverrouillage de la commande.

## Alertes (Zone unique ou deux zones) :

La commande va vous alerter en cas de conditions pouvant nuire à la performance de l'appareil.



- **Porte entrouverte** - Si la porte reste ouverte ou incorrectement fermée, pendant plus de 5 minutes, l'indicateur de statut de système OK va s'éteindre, l'indicateur de porte entrouverte (Door Ajar) va clignoter et une tonalité va retentir toutes les 60 secondes. De plus, un indicateur de restauration d'alerte (ALARM RESET) va être affiché sous la commande M/A (On/Off).

### REMARQUE



L'alarme sonore peut être désactivé, pour chaque événement, en appuyant sur la commande de verrouillage (Lock).

Cette alerte peut être supprimée en fermant la porte, ou en appuyant brièvement sur la commande M/A (par exemple quand vous êtes en train de nettoyer le compartiment de conservation). Mais l'alerte va se réactiver après 5 minutes si la condition anormale persiste.

## Codes d'erreur des capteurs de température

Les capteurs de température sont surveillés en permanence. Une condition de coupure (OPEN) ou de court-circuit (SHORTED) générera un CODE D'ERREUR tel que ceux qui suivent :

### Modèles à zone unique :

Codes d'erreur des capteurs de température			
Capteur	Code affiché	Description de l'erreur	Action à prendre
Capteur de température de zone unique		Panne de capteur de température dans le compartiment unique. Cela peut amener à des températures non souhaitées pour la conservation des vins.	Demandez une intervention de service pour remplacer ce capteur de température.
Capteur du dégivrage		Panne du capteur de température de dégivrage. Cela cause un dégivrage incorrect de l'appareil et peut créer une forte accumulation de givre. Il peut s'ensuivre un dégât des eaux au niveau de l'appareil et du plancher alentour.	Débranchez immédiatement le cordon d'alimentation et demandez une intervention de service pour remplacer ce capteur de dégivrage.

### Modèles à deux zones :

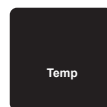
Codes d'erreur des capteurs de température			
Capteur	Code affiché	Description de l'erreur	Action à prendre
Capteur de température de zone haute		Panne de capteur de température dans le compartiment supérieur. Cela peut amener à des températures non souhaitées pour la conservation des vins.	Demandez une intervention de service pour remplacer ce capteur de température.
Capteur de température de zone basse		Panne de capteur de température dans le compartiment inférieur. Cela peut amener à des températures non souhaitées pour la conservation des vins.	Demandez une intervention de service pour remplacer ce capteur de température.
Capteur du dégivrage		Panne du capteur de température de dégivrage. Cela cause un dégivrage incorrect de l'appareil et peut créer une forte accumulation de givre. Il peut s'ensuivre un dégât des eaux au niveau de l'appareil et du plancher alentour.	Débranchez immédiatement le cordon d'alimentation et demandez une intervention de service pour remplacer ce capteur de dégivrage.



# UTILISATION DE VOTRE COMMANDE ÉLECTRONIQUE



- **Panne de secteur** - Si l'alimentation du cellier est interrompue l'indicateur de statut de système OK va s'éteindre, et l'indicateur de panne secteur (Power Failure) va clignoter. De plus un indicateur de restauration d'alerte (ALARM RESET) va être affiché sous la commande M/A (On/Off). Il n'y aura pas de signalisation sonore. La condition d'alerte peut être supprimée momentanément en appuyant sur la commande M/A (On/Off). Si cette alerte se produit, il est recommandé que vous contrôliez la situation de toutes les denrées périssables, même si l'appareil fonctionne de nouveau normalement et que la température soit revenue au niveau de la consigne, car des cessations d'alimentations prolongées peuvent amener des écarts excessifs de température interne pouvant affecter des denrées périssables.



- **Alerte de température** - Si la température du compartiment de conservation dévie excessivement du point de consigne pour une période de temps prolongée, l'indicateur (Temp) clignotera et un signal sonore retentira toutes les 60 secondes. De plus, un indicateur (ALARM RESET) sera affiché sous la commande M/A (On/Off).

## REMARQUE

Après une condition d'alerte de température trop haute, vérifiez toutes les denrées périssables pour assurer qu'elles sont sûres pour la consommation.

## REMARQUE

L'alerte de température peut survenir s'il y a une utilisation intensive, ou si des produits chauds sont chargés dans le compartiment de conservation. Si l'alerte de température continue à se produire, votre appareil peut exiger le service.

## REMARQUE



L'alarme sonore peut être désactivé, pour chaque événement, en appuyant sur la commande de verrouillage (Lock).

La condition d'alerte peut être supprimée momentanément en appuyant sur la commande M/A (On/Off). Si cette alerte se produit, il est recommandé que vous contrôliez la situation de toutes les denrées périssables, même si l'appareil fonctionne de nouveau normalement et que la température soit revenue au niveau de la consigne, car des cessations d'alimentations prolongées peuvent amener des écarts excessifs de température interne pouvant affecter des denrées périssables.

## REMARQUE

Des alertes multiples sont possibles, par exemple la porte restée entrouverte longtemps peut entraîner une alerte de température, dans ce cas les deux indicateurs «Door Ajar» et «Temp» seront activés en même temps.

Door Ajar  
Temp

## Mode de vacances (Zone unique ou deux zones) :

Ce mode de fonctionnement peut être utilisé pour économiser de l'énergie durant les périodes où elle est la plus coûteuse, ou si vous n'utilisez pas votre appareil pendant une période prolongée, en désactivant ses éclairages, tonalités d'alerte, et sonorités d'actionnement des commandes. Ce mode vacances peut aussi servir comme mode pour la période de Shabbat, avec les désactivations prescrites dans la période en fin de semaine pour la communauté juive. Dans ce mode de Shabbat, vous pouvez ouvrir et refermer la porte n'importe quand pour accéder au contenu, sans avoir à directement allumer ou éteindre d'éclairage, et sans activation d'affichages numériques, d'électrovannes, de ventilateurs, de vannes, de compresseur, d'icônes, tonalités ou alertes.

Quand ce mode est activé, l'afficheur, les indicateurs visuels et sonores d'alerte, les tonalités à l'actionnement de commandes, l'éclairage intérieur et toutes les options sont désactivés. Toutes les commandes de fonctions sont inopérantes sauf la commande M/A (On/off) qui est nécessaire pour la sortie de ce mode vacances. Les températures du compartiment de conservation sont surveillées et gérées selon les réglages avant d'entrer en mode vacances.



Pour entrer dans le mode vacances (avec le commande réveillée), actionnez et maintenez appuyée la commande M/A (On/Off) jusqu'à ce que l'afficheur passe de «OFF» à «VAC». L'afficheur va faire clignoter «VAC» trois fois pour accuser réception de votre demande, puis montrer «VAC» en fixe jusqu'à la sortie de ce mode vacances. Une coupure d'alimentation ne vous fait pas sortir du mode vacances, le changement de mode ne peut se faire que manuellement. Pour sortir du mode vacances et revenir en fonctionnement normal, actionnez et maintenez appuyée la commande M/A (On/Off) jusqu'à ce que l'afficheur montre la température.

# INSTALLATION DE PANNEAU DE REVÊTEMENT DE PORTE

Si vous avez acheté un modèle à panneau de revêtement, votre réfrigérateur est équipé de charnières articulées pour permettre des installations complètement encastrées. Des épaisseurs de panneau de 5/8 po (15 mm) et 3/4 po (18 mm) sont acceptées.



## ATTENTION

Il est important d'utiliser la grille fournie par l'usine avec le produit pour assurer qu'un flux d'air approprié sera maintenu au travers du condenseur. L'utilisation d'une grille personnalisée n'est pas recommandée et annulerait la garantie.



## AVERTISSEMENT

Les modèles pour panneau de revêtement sont conçus pour une utilisation avec des **installations encastrées uniquement**. Leur utilisation en installations autonomes peut causer des blessures.

### Étape 1 : Dépose de la porte

Avec un tournevis à pointe Phillips, ôtez la vis et le collier en «P» du bas de porte près de la charnière (Voyez la Figure 11b).

Débranchez le faisceau des fils de porte en appuyant et en maintenant sur le loquet de blocage qui est dessus et en sortant le faisceau (Voyez la Figure 12).

Ouvrez la porte et desserrez les vis maintenant les charnières sur l'armoire (2 à la charnière du haut, 2 à la charnière du bas). N'enlevez pas ces vis, il faut juste les desserrer suffisamment pour que les charnières puissent être sorties en glissant hors des vis en penchant la porte sur le côté.



## AVERTISSEMENT

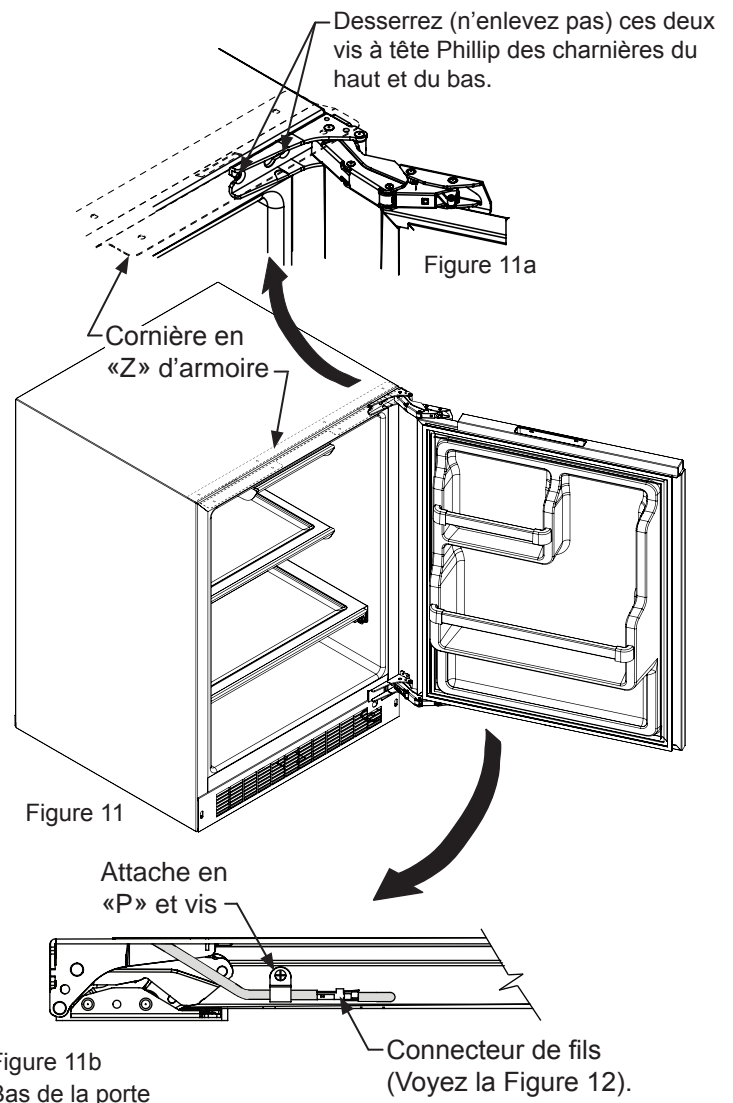
Les pentures articulées peuvent comporter plusieurs points de pincage. Pliez (fermez) soigneusement les pentures dès que la porte soit enlevée de l'armoire.

Avec un assistant, et en faisant attention de ne pas rayer l'armoire ou la porte, glissez la porte sur le côté d'environ un demi-pouce (12,7 mm) et sortez les charnières et la porte du réfrigérateur.



## AVERTISSEMENT

Utilisez une extrême prudence avec les charnières articulées. La charnière se referme toute seule et il existe de nombreux points de pincage avant l'installation encastrée. **N'enlevez pas la cornière en «Z» du haut de l'armoire.**



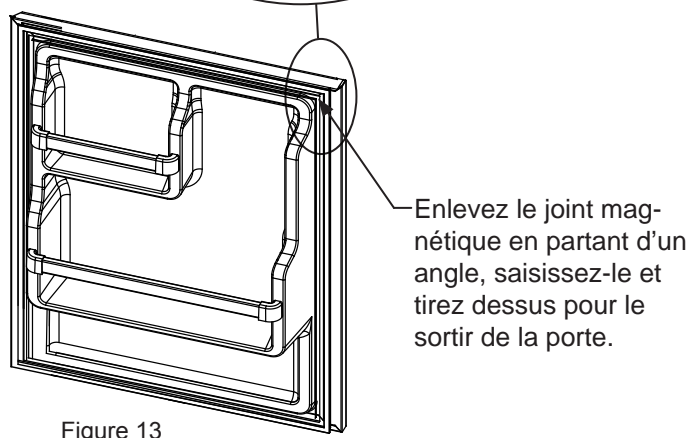
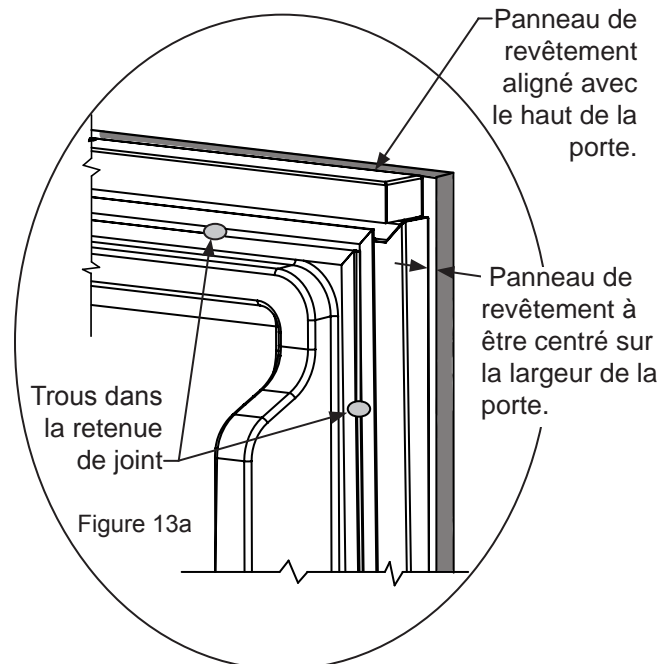
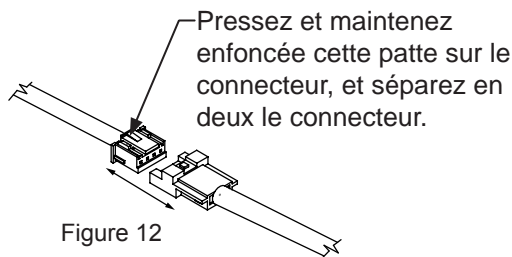


# INSTALLATION DE PANNEAU DE REVÊTEMENT DE PORTE

## Étape 2 : Dépose du joint de porte

Avec la porte reposant sur une surface plane, et en partant d'un des ses angles, ôtez le joint de porte magnétique de la face intérieure de la porte (Voyez la Figure 13). Mettez de côté ce joint sur une surface plane.

Il y a 10 trous dans les extrusions de retenue de joint (3 de chaque côté et 2 en haut et en bas) qui sont utilisés pour fixer le panneau dur l'avant de la porte. Les vis sont fournies dans le sachet de la documentation, avec le verrou de porte fourni pour certains modèles.



## Étape 3 : Coupez et percez le panneau de revêtement

Selon votre modèle, coupez le panneau de revêtement de porte aux dimensions montrées aux Figure 14 à Figure 21. La découpe de fenêtre n'est que pour les modèles à vitre. Si votre réfrigérateur comporte un verrou, percez également un trou pour lui dans le panneau (Voyez la Figure 23).

# INSTALLATION DE PANNEAU DE REVÊTEMENT DE PORTE

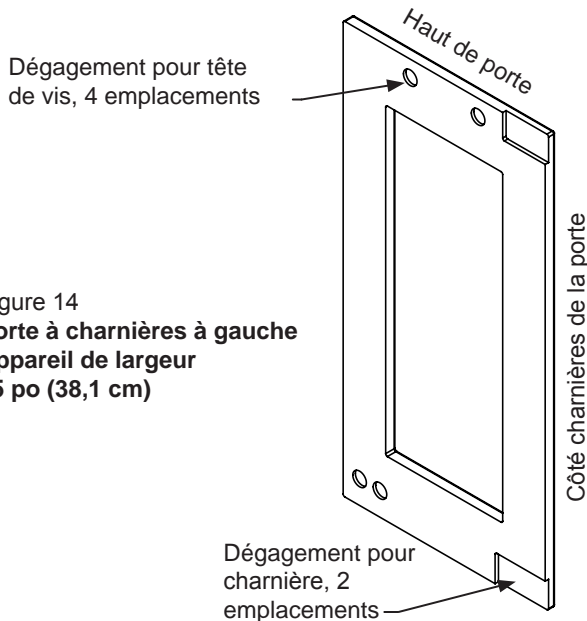


Figure 14  
Porte à charnières à gauche  
Appareil de largeur  
15 po (38,1 cm)

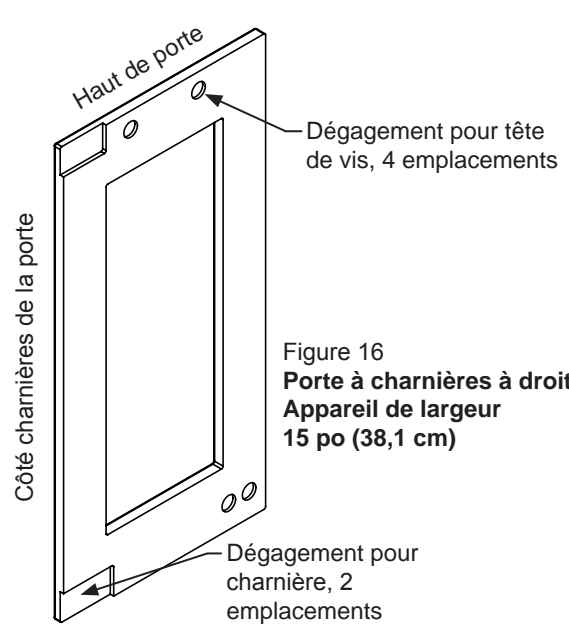


Figure 16  
Porte à charnières à droite  
Appareil de largeur  
15 po (38,1 cm)

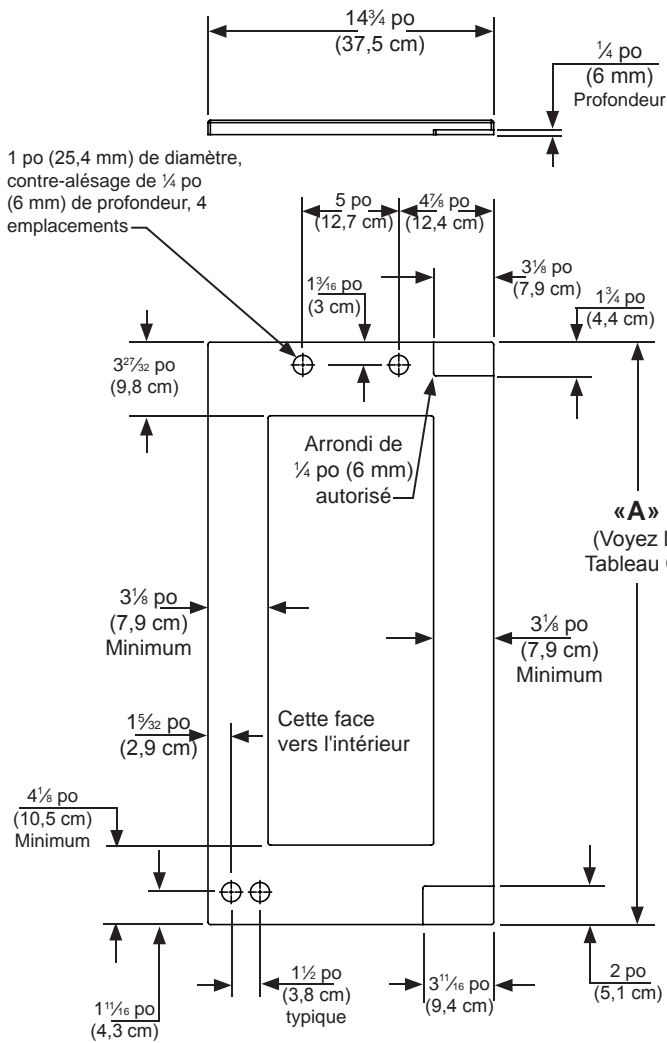


Figure 15  
Porte à charnières à gauche  
Appareil de largeur 15 po (38,1 cm)

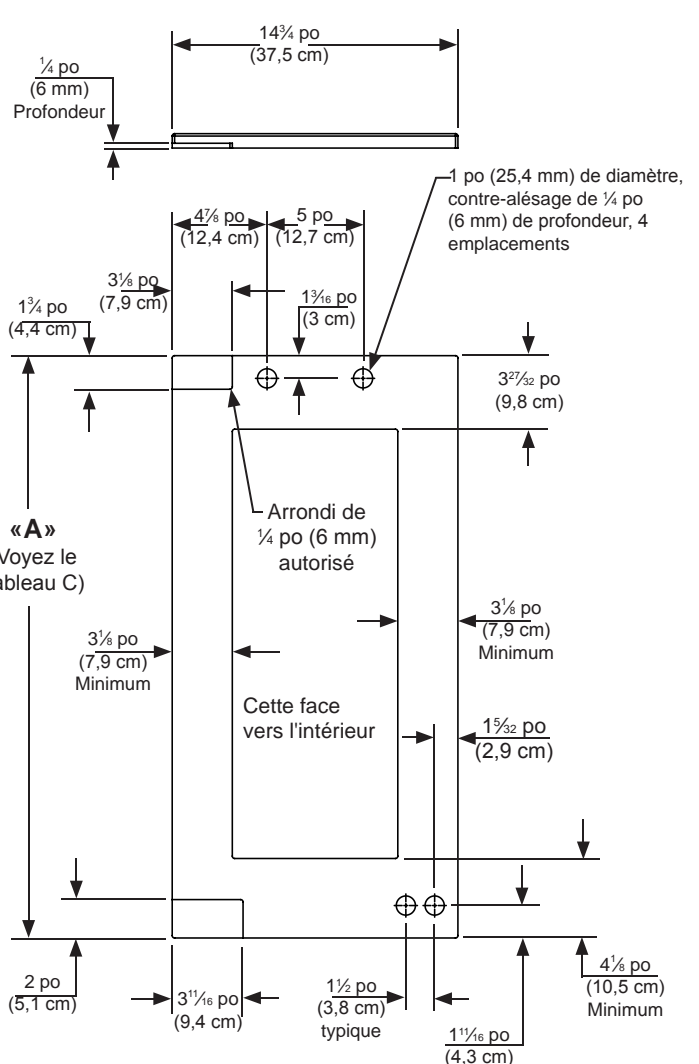


Figure 17  
Porte à charnières à droite  
Appareil de largeur 15 po (38,1 cm)

# INSTALLATION DE PANNEAU DE REVÊTEMENT DE PORTE

Dégagement pour tête de vis, 4 emplacements

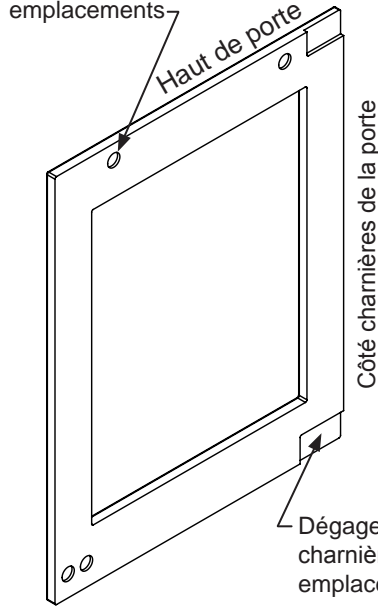


Figure 18  
Porte à charnières à gauche  
Appareil de largeur 24 po (61 cm)

**ATTENTION**

Le poids du revêtement de porte ne doit pas dépasser 15 lb (6,8 kg) pour un modèle à porte pleine, ou 10 lb (4,5 kg) pour un modèle à porte vitrée.

Dégagement pour tête de vis, 4 emplacements

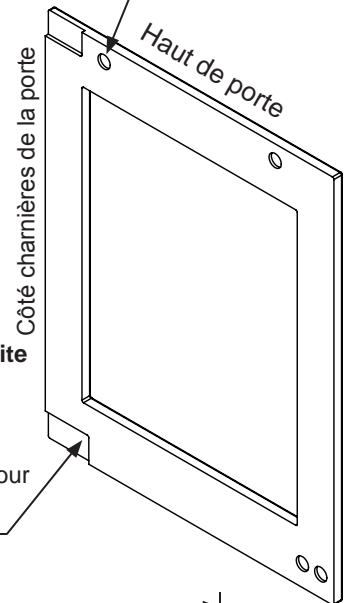


Figure 20  
Porte à charnières à droite  
Appareil de largeur 24 po (61 cm)

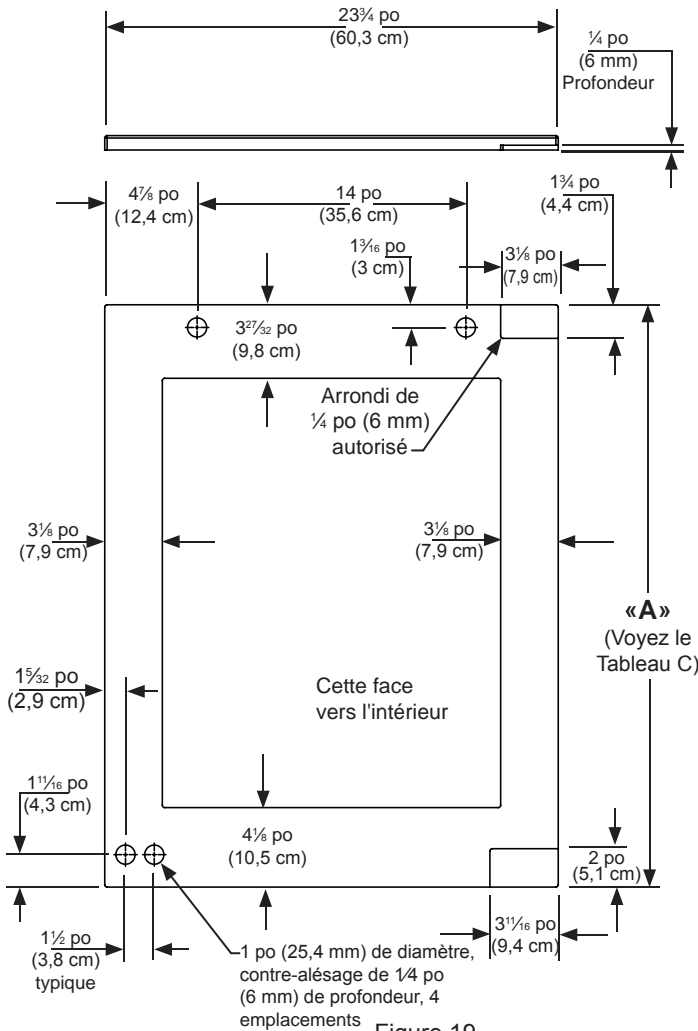


Figure 19  
Porte à charnières à gauche  
Appareil de largeur 24 po (61 cm)

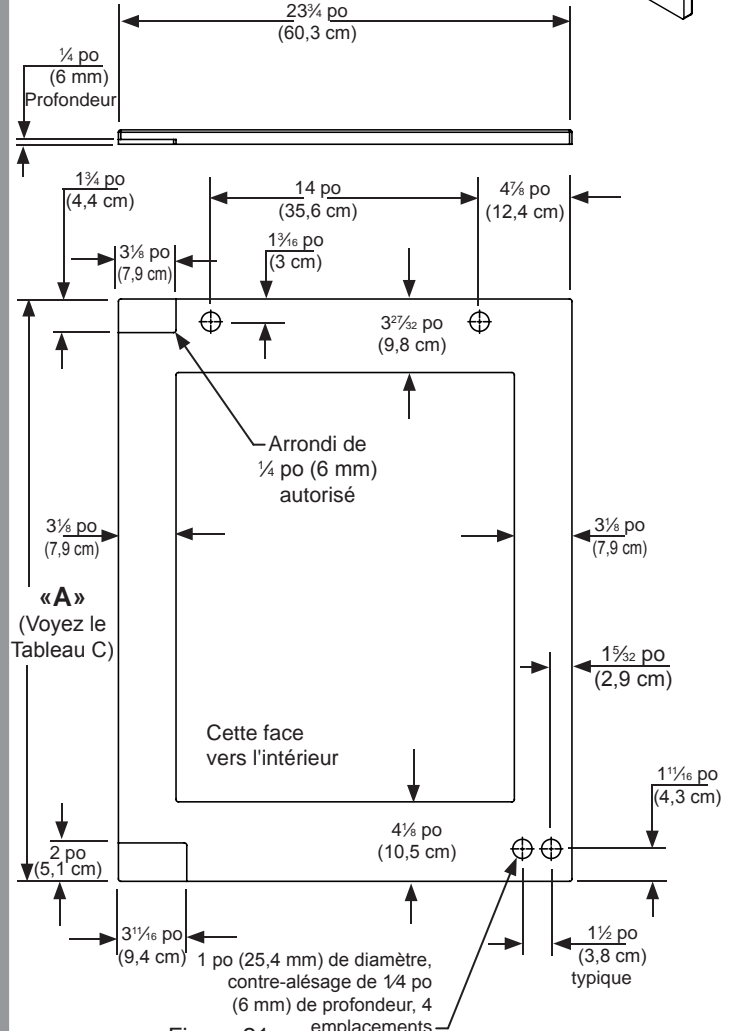


Figure 21  
Porte à charnières à droite  
Appareil de largeur 24 po (61 cm)

# INSTALLATION DE PANNEAU DE REVÊTEMENT DE PORTE

## Étape 4 : Assemblez le panneau sur la porte

La méthode préférée pour fixer le panneau sur la porte est de le tenir dessus par serre-joints pour éviter tout déplacement durant le perçage d'avant-trous. Utilisez des serre-joints à barre ou en «C» avec des tampons sur les surfaces à serrer pour ne pas marquer le panneau de revêtement ou la porte. Le panneau de revêtement personnalisé doit arriver au même niveau que le haut de la porte, et le long de la largeur centrée de la porte (Voyez la Figure 13a). Percez des trous au travers de l'extrusion du joint en utilisant les 10 trous existants comme des avant-trous. Prenez une taille de foret selon la recommandation du Tableau B, en veillant à ne pas traverser la face avant au perçage en n'allant pas à profond. Si le panneau de revêtement est plus mince que  $\frac{5}{8}$  po (16 mm), il vous faudra vous procurer des vis plus courtes. Fixez le panneau sur la porte avec les 10 vis fournies dans le sachet de documentation (Voyez la Figure 23a). Enlevez les serre-joints et remettez en place le joint dans les canaux de son extrusion sur la porte. Il faut appliquer une certaine force pour bien insérer le joint dans ces canaux. Assurez-vous que les angles du joint sont bien en place.

Type de matériau	Vis à bois #10
Bois dur	Avant trou Ø $\frac{1}{8}$ po (2 mm)
Bois tendre	Avant trou Ø $\frac{1}{64}$ (0,8 mm)

Tableau B

MODÈLE	DESCRIPTION DE PORTE	DIMENSION «A»
ML15RAP*RP	Pleine, charnière à droite	30 $\frac{1}{2}$ po (77,1 cm)
ML15RAP*LP	Pleine, charnière à gauche	
ML15BCF*RP	Vitrée, charnière à droite	
ML15BCF*LP	Vitrée, charnière à gauche	
ML15BCP*RP	Pleine, charnière à droite	
ML15BCP*LP	Pleine, charnière à gauche	
ML24RAP*RP	Pleine, charnière à droite	
ML24RAP*LP	Pleine, charnière à gauche	
ML24BCF*RP	Vitrée, charnière à droite	
ML24BCF*LP	Vitrée, charnière à gauche	
ML24BCP*RP	Pleine, charnière à droite	
ML24BCP*LP	Pleine, charnière à gauche	
ML24BRF*RP	Vitrée, charnière à droite	
ML24BRF*LP	Vitrée, charnière à gauche	
ML24BRP*RP	Pleine, charnière à droite	
ML24BRP*LP	Pleine, charnière à gauche	
ML24WBF*RP	Vitrée, charnière à droite	
ML24WBF*LP	Vitrée, charnière à gauche	
ML24WBP*RP	Pleine, charnière à droite	
ML24WBP*LP	Pleine, charnière à gauche	
MA24BRF*RP	Vitrée, charnière à droite avec verrou	27 $\frac{23}{32}$ po (70,4 cm)
MA24BRF*LP	Vitrée, charnière à gauche avec verrou	
MA24RAP*RP	Pleine, charnière à droite avec verrou	
MA24RAP*LP	Pleine, charnière à gauche avec verrou	

Tableau C

# INSTALLATION DE PANNEAU DE REVÊTEMENT DE PORTE

## Étape 5 : Montez les pièces de verrou

Deux (2) extensions de verrouillage sont fournies avec le verrou. Utilisez l'extension la plus longue pour un panneau de revêtement d'épaisseur  $\frac{3}{4}$  po et la plus courte pour un panneau d'épaisseur  $\frac{5}{8}$  po. Assemblez l'extension de verrouillage, une rondelle d'arrêt de came, une rondelle élastique et une vis de fixation sur le verrou comme montré aux Figure 22 et Figure 24.

Installez cet ensemble de verrou dans le trou prévu dans le panneau de revêtement, avec l'écrou de retenue sur le côté arrière avec un support et un cliquet. Assurez-vous que la fente en trou de serrure sur le devant du verrou est verticale.

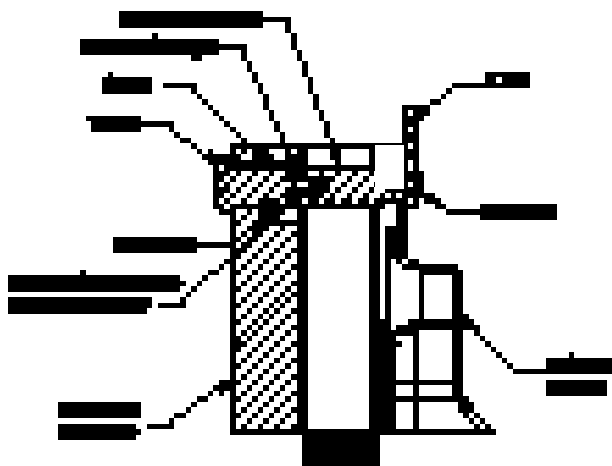
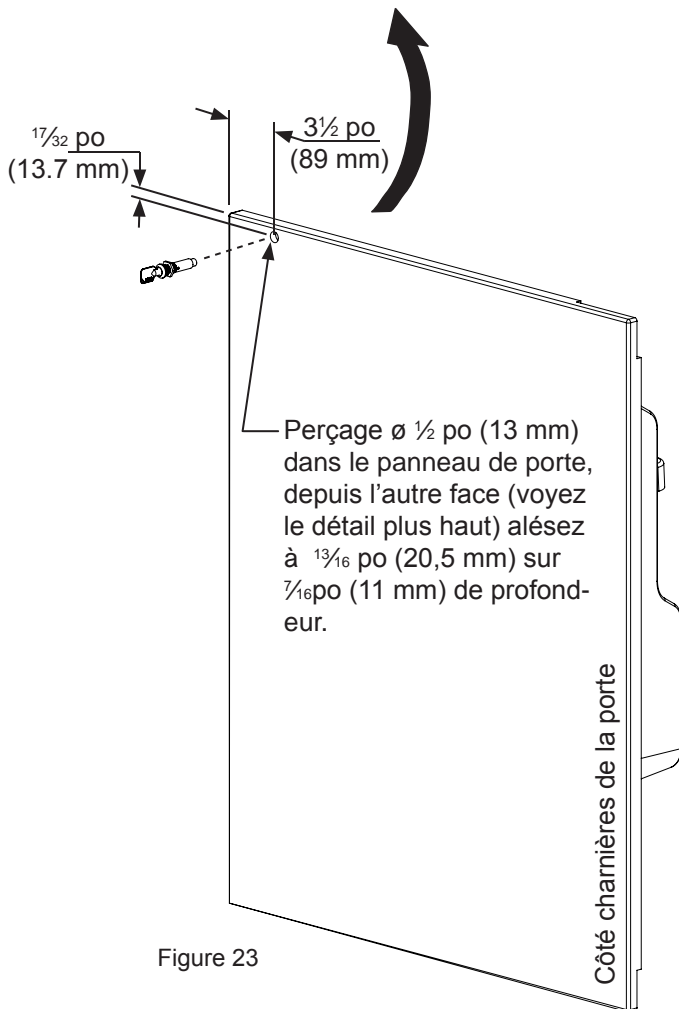
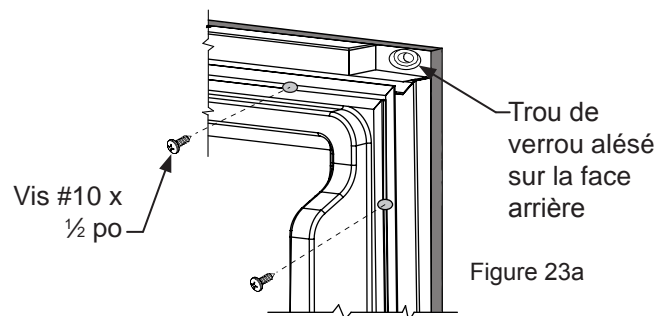


Figure 22



## Étape 6 : Installez la came de verrou

Fixez la came de verrouillage à l'arrière de l'ensemble de verrou avec la vis d'assemblage à tête Phillips fournie. Orientez la came de verrouillage verticalement en installant le verrou.

# INSTALLATION DE PANNEAU DE REVÊTEMENT DE PORTE

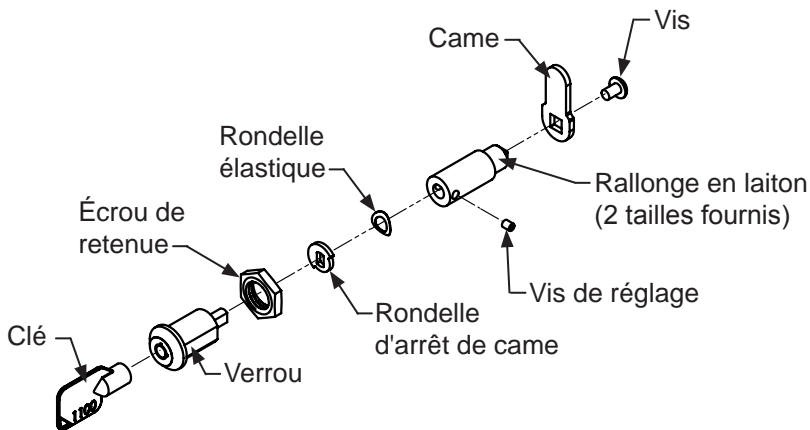


Figure 24

## Étape 7 : Installez la porte

Ouvrez soigneusement les charnières du haut et du bas sur la porte en vous méfiant des nombreux points de pinçage. Placez les charnières par-dessus les 4 vis dans l'armoire, 2 en haut et 2 en bas, et glissez la porte en position. Serrez ces 4 vis de charnières avec un tournevis à pointe Phillips (Voyez les Figure 11 et Figure 11a). Placez le faisceau de fils depuis la grille et montez-le en bas de la porte avec la vis et le collier en «P» qui avait été enlevé à l'étape 1 (Voyez la Figure 11b). Reconnectez le faisceau de fils (Voyez la Figure 12).

## Étape 8 : Fixez l'armoire

Utilisez des vis #8 x 3/4 po du sachet de documentation pour fixer la surface du haut sur l'armoire au travers des trous dans la cornière en «Z» de l'armoire de réfrigérateur.

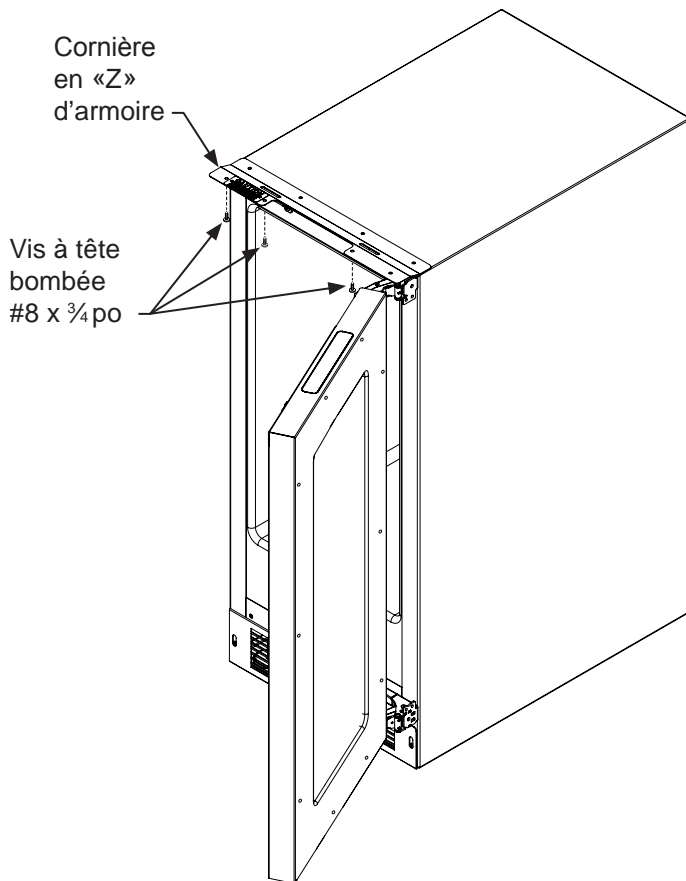


Figure 25

# CONFIGURATIONS DE ÉTAGÈRES

## Conseils et suggestions pour le chargement

Votre réfrigérateur est équipé d'un système de étagères en porte-à-faux qui procure une capacité maximale d'ajustement et une personnalisation des arrangements comme c'est montré plus loin.

### Stockage de boissons :

#### Appareils de largeur 15 po (38,1 cm) :

Montré avec une porte vitrée en Figure 26.

(2) étagères en porte-à faux, encadrement et verre (Voyez la Figure 35).

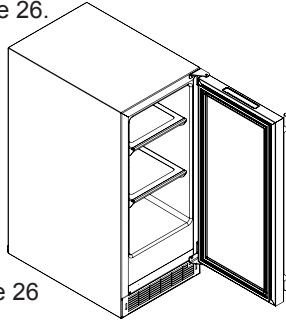


Figure 26

### Stockage de boissons :

#### Appareils de largeur 24 po (61 cm) :

Montré avec une porte vitrée en Figure 27.

(2) étagères en porte-à faux, encadrement et verre (Voyez la Figure 36).

(1) étagère coulissante demi-profondeur pour 4 bouteilles de vin.

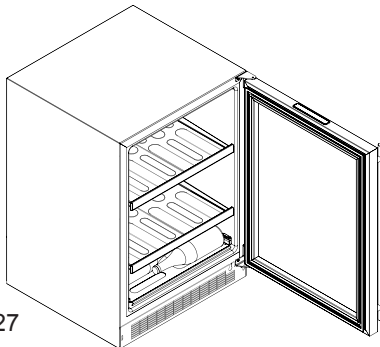


Figure 27

### Deux zones: du vin / stockage de boissons :

#### Appareils de largeur 24 po (61 cm) :

Montré avec une porte vitrée en Figure 28.

#### Zone supérieure :

(2) fil étagère à vin (Voyez la Figure 37).

#### Zone inférieure :

(1) étagères en porte-à faux, encadrement et verre (Voyez la Figure 36).

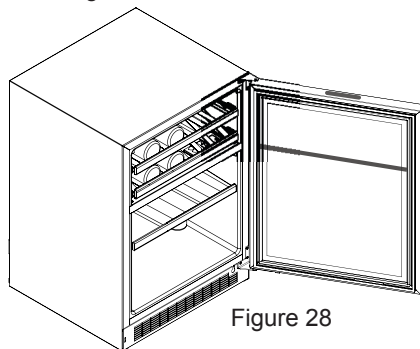


Figure 28

## REMARQUE

Les zone supérieure sont conçues exclusivement pour y garder des vins. Elles ne peuvent pas atteindre des températures de conservation convenant à l'entreposage d'aliments frais.

### Réfrigération de boissons :

#### Appareils de largeur 24 po (61 cm) :

Montré avec une porte vitrée en Figure 29

- (1) étagère en porte-à faux, demi-largeur en verre (Voyez la Figure 34).
- (1) étagère en porte-à faux, encadrement et verre (Voyez la Figure 36).
- (1) étagère, encadrement et verre, couvercle allégé.
- (1) bac à légumes coulissant

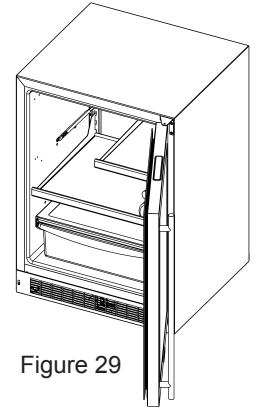


Figure 29

### Réfrigérateur :

#### Appareils de largeur 15 po (38,1 cm) :

Montré avec une porte pleine en Figure 30

(2) étagères en porte-à faux, encadrement et verre (Voyez la Figure 35).

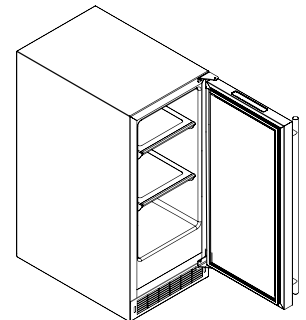


Figure 30

### Réfrigérateur :

#### Appareils de largeur 24 po (61 cm) :

Montré avec une porte pleine en Figure 31.

(2) étagères métalliques perforées en porte-à-faux (Voyez la Figure 33).

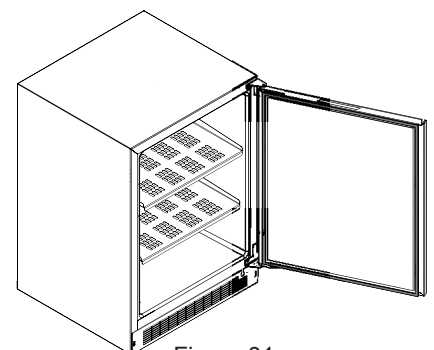


Figure 31

# CONFIGURATIONS DE ÉTAGÈRES

## Réfrigérateur :

### Appareils de largeur 24 po (61 cm) :

Montré avec une porte pleine équipée de balconnets en Figure 32.

(1) étagère en porte-à faux, demi-largeur en verre (Voyez la Figure 35).

(1) étagère en porte-à faux, encadrement et verre bombé

(1) couvercle de bac à légumes, encadrement et verre

(1) bac à légumes coulissant

(1) rangement de porte pleine largeur.

(1) rangement de porte demi-largeur.

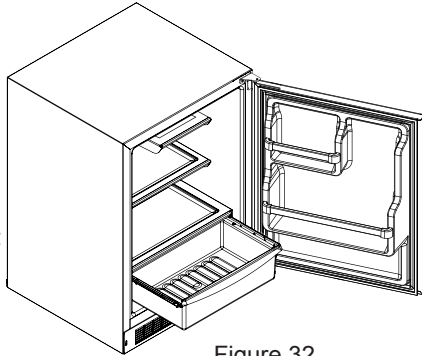
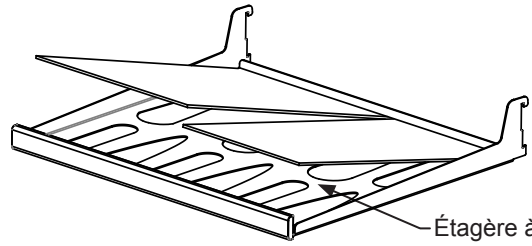


Figure 32



Étagère à vin à dessous en verre

Figure 36

Étagère à découpe pour les vins et verre, avec couche d'amortissement de vibrations, la vitre peut être ôtée en tout ou en partie pour augmenter ou diminuer l'entreposage de vin et la zone de boissons.

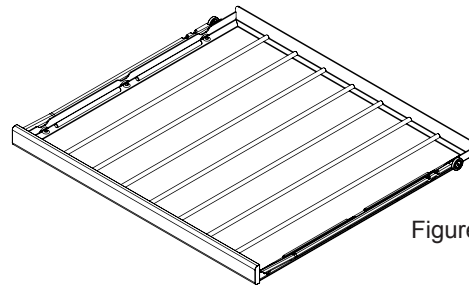


Figure 37

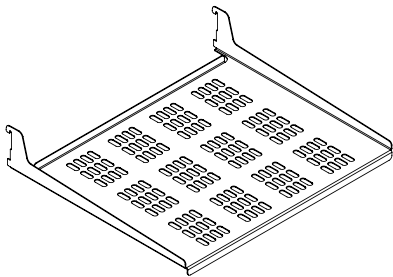


Figure 33

Étagère en métal perforé

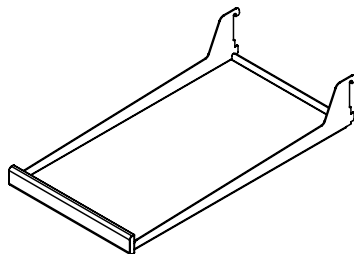


Figure 34

Étagère, encadrement et verre  
Étagère de demi-largeur montrée

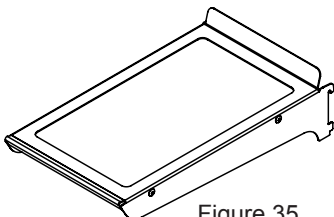
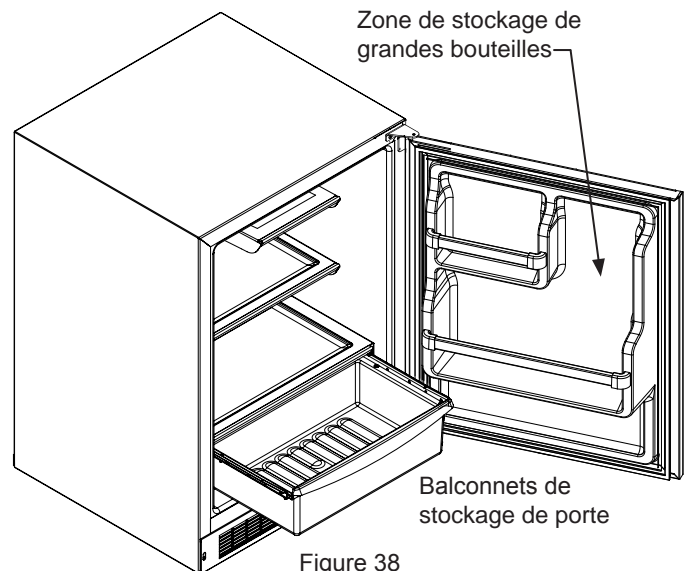


Figure 35

Étagère, encadrement et verre  
Étagère de demi-largeur montrée



Zone de stockage de grandes bouteilles

Balconnets de stockage de porte

Figure 38

### Pour ôter le bac à légumes :

Tirez-le jusqu'à ce qu'il s'arrête. Levez l'avant du bac, et dégagez-le du logement.

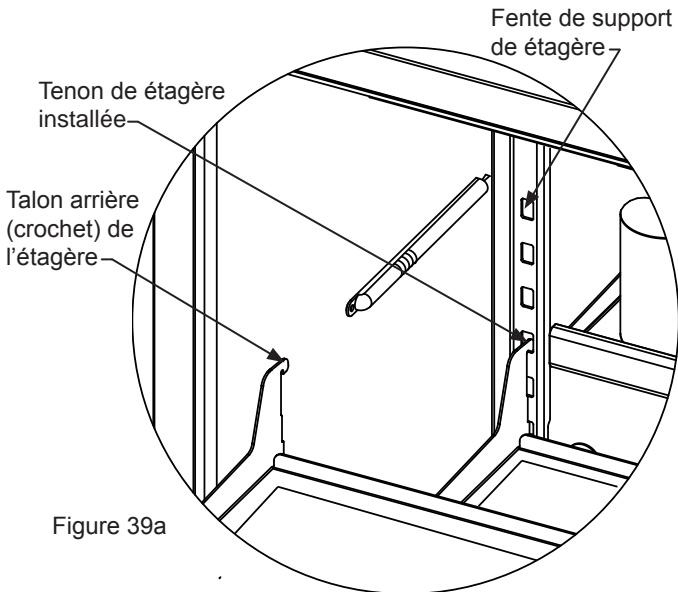


## CONFIGURATIONS DE ÉTAGÈRES



### ATTENTION

Assurez-vous que votre étagères en porte-à-faux est bien en place sur les supports en appuyant dessus avant de la charger.



Zone de stockage de grandes bouteilles

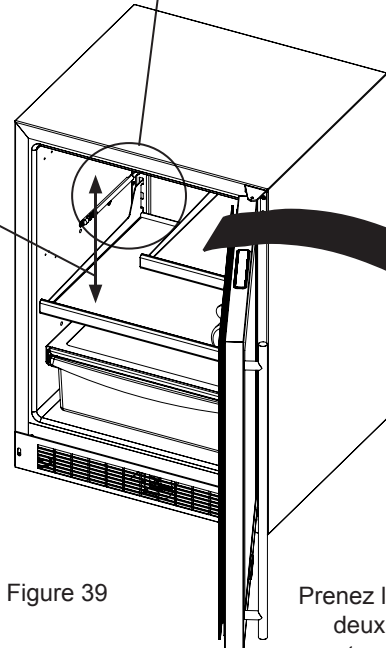


Figure 39

Prenez le devant de la étagère des deux mains et faites pivoter son avant vers le haut, puis soulevez-la et dégagez-la des et enlevez-la des échelles de support.

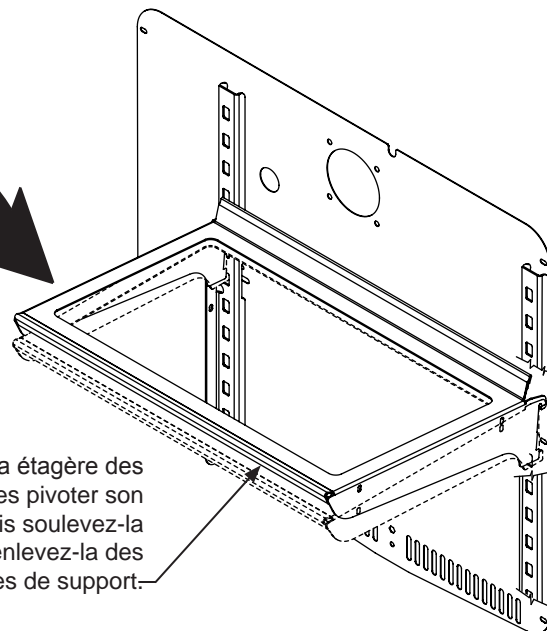


Figure 39b

### Pour ajouter ou enlever une étagère

Enlevez les produits qui étaient entreposés sur la étagère. N'essayez pas d'enlever une étagère du réfrigérateur restée chargée. Prenez le devant de la étagère des deux mains, faites pivoter son avant vers le haut et enlevez-la (Voyez la Figure 39b). Pour installer une étagère, insérez-la dans le réfrigérateur et mettez ses crochets dans les fentes des supports de étagère, puis laissez retomber la étagère de façon à ce que ses crochets chutent sur le bas des supports.



### ATTENTION

N'essayez jamais de bouger une étagère chargée, évacuez tout ce qu'elle porte avant de la déplacer. Utilisez vos deux mains pour déplacer une étagère.

# CONSEILS POUR L'ÉCONOMIE D'ÉNERGIE, L'ENTRETIEN ET LE NETTOYAGE

## Grille frontale

Assurez-vous que rien n'obstrue les ouvertures pour flux d'air requises à l'avant de l'armoire. Au moins une à deux fois par an, chassez par brosse ou par aspiration les peluches et les saletés dans la zone de la grille avant (Voyez en page 4).



**RISQUE DE COMMOTION ÉLECTRIQUE :** Débranchez l'alimentation secteur de l'appareil avant de le nettoyer à l'eau savonneuse.

## Armoire

L'armoire peinte peut se laver avec une solution savonneuse douce, puis soigneusement se rincer à l'eau potable. N'utilisez JAMAIS de produits nettoyants abrasifs.

## Intérieur

Lavez le compartiment intérieur avec une solution savonneuse douce. N'utilisez pas de nettoyant abrasif, de solvant, de produit nettoyant/polissant ou de détergent non-dilué.

## Soins pour l'appareil

1. Évitez de vous appuyer sur la porte, vous pourriez déformer ses charnières ou faire basculer l'appareil.
2. Faites attention quand vous balayez, aspirez ou passez la vadrouille près de l'avant de l'appareil. Vous pourriez endommager sa grille.
3. Nettoyez périodiquement l'intérieur de l'appareil selon le besoin.
4. Vérifiez périodiquement la grille frontale et les serpentins de condenseur, et nettoyez-les si nécessaire.

## En cas de coupure du secteur

Si une panne d'alimentation arrivait, essayez de la corriger le plus tôt possible. Minimisez le nombre d'ouvertures de porte pendant la coupure du secteur afin de ne pas affecter la température dans l'appareil.

## Remplacement de l'ensemble d'éclairage

Tous les modèles utilisent de lampes à diodes électroluminescentes (DEL) pour éclairer l'intérieur de l'appareil. Ce type de composant est très fiable, mais en cas de panne contactez un technicien de service qualifié pour le remplacement de l'éclairage à DEL.

## Les suggestions suivantes vont minimiser le coût de fonctionnement de votre appareil de refroidissement.

1. N'installez pas votre appareil près d'un autre appareil chaud (cuisinière, lave-vaisselle, etc.), d'une conduite d'air chaud, ou d'autres sources de chaleur.
2. Placez l'appareil à l'abri du rayonnement solaire direct.
3. Assurez-vous que les événements de la grille devant l'unité au-dessus de la porte ne sont pas obstrués et maintenus propres de façon à permettre une ventilation du système de refroidissement et chasser la chaleur.
4. Branchez votre appareil sur un circuit d'alimentation secteur dédié (Sans partage avec d'autres appareils).
5. Quand vous chargez initialement votre produit neuf, ou au cas où de grosses quantités de contenu tiède sont placées dans le compartiment de conservation au froid, minimisez les ouvertures de porte pendant les 12 heures qui suivent pour permettre au contenu de tomber à la température de consigne du compartiment.
6. En maintenant un compartiment d'entreposage relativement plein, il faut moins de périodes de fonctionnement en refroidissement de l'appareil qu'avec un compartiment vide.
7. Assurez-vous que la fermeture de porte n'est pas obstruée par des denrées entreposées dans votre appareil.
8. Permettez aux denrées chaudes de revenir à la température ambiante avant de les placer dans l'appareil.
9. Minimisez la fréquence et la durée des ouvertures de porte.
10. Utilisez le point de consigne de température le plus haut qui respecte votre préférence personnelle, et fournissez l'entreposage qui convient pour vos denrées conservées.
11. Quand vous êtes en vacances ou loin de la maison pour des périodes prolongées, réglez la consigne de l'appareil à la température la plus haute admissible pour la conservation de son contenu.
12. Réglez le contrôle en position d'arrêt (off) si le nettoyage de l'appareil nécessite que sa porte reste ouverte pour une période longue.
13. En cas de conservation de vins :  
Quand des températures pour les servir ne sont pas requises, ramenez le point de consigne du/des compartiment(s) à la température idéale de conservation à long terme des vins rouges et blancs, vers 13 °C / 55°F.

## OBTENTION DE SERVICE

---

### Si du service est nécessaire :

- Si le produit est encore dans sa première année de garantie, veuillez appeler le service à la clientèle d'AGA MARVEL au 800.223.3900 pour avoir des instructions sur la façon d'obtenir une couverture sous garantie dans votre secteur.
- Si le produit est sorti de sa première année de garantie, le service à la clientèle d'AGA MARVEL peut vous fournir des recommandations sur les centres de service de votre secteur. Une liste des centres de service agréés est également disponible sur le site [www.agamarvel.com](http://www.agamarvel.com) sous la section de service et d'assistance.
- Dans toute correspondance relative au service, assurez-vous de bien fournir la référence de modèle, le numéro de série et le la facture d'achat.
- Essayez de donner des informations ou une description de la nature du problème, sur la durée pendant laquelle l'appareil a fonctionné, sur les températures de la pièce et de l'eau, et toutes les informations qui peuvent être utiles pour une résolution rapide du problème.
- Le Tableau «D» est fourni pour enregistrer les informations pertinentes sur votre produit, comme référence ultérieure.

Pour vos archives	
Date d'achat	
Nom du revendeur	
Adresse du revendeur	
Ville du revendeur	
État/province du revendeur	
Code Zip/postal du revendeur	
N° de série de l'appareil	
N° de série de l'appareil	
Date d'envoi de la carte de garantie (à faire dans les 10 jours après l'achat)	

Tableau D

# DÉPANNAGE

## Avant d'appeler pour du service

Si l'appareil semble présenter un dysfonctionnement, commencez par bien relire son manuel. Si le problème persiste, consultez le guide de dépannage qui suit. Identifiez le problème dans ce guide et consultez les colonnes de causes et de remèdes avant d'appeler pour du service. Le problème peut être quelque chose de très simple qui peut se résoudre sans demander une intervention de service. Cependant, il peut être nécessaire de contacter votre revendeur ou un technicien de service qualifié.



## AVERTISSEMENT

### Risque d'électrocution

- Ne tentez jamais de réparer ou d'exécuter de la maintenance sur l'appareil avant que son alimentation électrique n'ait été débranchée en amont. Passer l'appareil sur arrêt (OFF) n'enlève pas la présence de tension secteur sur les fils de câblage.
- Remettez en place l'ensemble des pièces et panneaux avant de redémarrer.



## ATTENTION

Dans le cas improbable où vous perdriez de la capacité de refroidissement sur votre appareil, **ne le débranchez pas de son alimentation électrique**, mais appelez immédiatement un agent de dépannage qualifié. Il est possible que la perte de capacité de refroidissement résulte d'une accumulation excessive de givre sur le serpentin de refroidissement d'évaporateur. Dans ce cas, le débranchement électrique de l'appareil entraînera la fusion d'une quantité excessive de glace, qui pourra générer de l'eau de fusion qui dépassera la capacité du système de drainage du dégivrage, et risque de provoquer un dégât des eaux à votre domicile. C'est l'utilisateur final qui sera le responsable final de tout dégât des eaux causé par une coupure prématurée de l'appareil, sans avoir géré correctement l'excédent d'écoulement d'eau.

Problème	Cause possible	Remède
L'appareil ne produit pas assez de froid (Voyez «Réglage de la température» en page 8)	<ul style="list-style-type: none"> <li>• Le contrôle a une consigne trop chaude</li> <li>• La température du contenu n'est pas encore stabilisée.</li> <li>• Utilisation excessive ou ouvertures prolongées de la porte.</li> <li>• Blocage du flux d'air de la grille frontale.</li> <li>• Défaut d'étanchéité du joint de porte.</li> </ul>	<ul style="list-style-type: none"> <li>• Ajustez plus bas la consigne de température. Laissez stabiliser la température 24 heures.</li> <li>• Laissez la température se stabiliser pendant au moins 24 heures.</li> <li>• Le flux d'air ne doit pas être obstrué à la grille frontale. Consultez les valeurs de dégagements en page 4.</li> <li>• Changez le joint de porte.</li> </ul>
L'appareil fait trop de froid (Voyez «Réglage de la température» en page 8)	<ul style="list-style-type: none"> <li>• Le contrôle a une consigne trop froide</li> <li>• Défaut d'étanchéité du joint de porte.</li> </ul>	<ul style="list-style-type: none"> <li>• Ajustez plus haut la consigne de température Laissez stabiliser la température 24 heures.</li> <li>• Changez le joint de porte.</li> </ul>
Pas d'éclairage à l'intérieur	<ul style="list-style-type: none"> <li>• Défaut de l'ensemble d'éclairage à DEL ou du commutateur d'éclairage.</li> </ul>	<ul style="list-style-type: none"> <li>• Contactez un technicien de service qualifié.</li> </ul>
L'éclairage ne s'éteint pas quand la porte est fermée	<ul style="list-style-type: none"> <li>• L'éclairage de démonstration est resté allumé. (Modèles à porte vitrée uniquement).</li> <li>• La porte n'active pas l'interrupteur d'éclairage.</li> <li>• Commutateur d'éclairage défectueux</li> </ul>	<ul style="list-style-type: none"> <li>• Éteignez l'éclairage de démonstration, refermez la porte.</li> <li>• L'appareil n'est pas d'aplomb, mettez-le de niveau (Voir en page 4, la section sur les pieds réglables).</li> <li>• Contactez un technicien de service qualifié.</li> </ul>
Bruit ou vibration	<ul style="list-style-type: none"> <li>• L'appareil n'est pas d'aplomb.</li> <li>• Obstruction de tube affectant le ventilateur.</li> </ul>	<ul style="list-style-type: none"> <li>• Mettez l'armoire d'aplomb, voyez en page 4 le réglage des pieds de mise à niveau.</li> <li>• Contactez un technicien de service qualifié.</li> </ul>
L'appareil ne fonctionne pas.	<ul style="list-style-type: none"> <li>• L'appareil est à l'arrêt.</li> <li>• Le cordon secteur n'est pas branché.</li> <li>• La prise secteur n'est pas alimentée.</li> </ul>	<ul style="list-style-type: none"> <li>• Mettez l'appareil en marche. Voyez pour le démarrage de votre appareil en page 8.</li> <li>• Branchez la fiche du cordon.</li> <li>• Vérifiez l'alimentation électrique de votre maison.</li> </ul>

# GARANTIE DE PRODUIT À USAGE DOMESTIQUE

## Produit complet

### Garantie limitée d'un an sur pièces et main-d'œuvre

AGA MARVEL garantit qu'il fournira toutes les pièces et la main-d'œuvre nécessaires pour réparer ou remplacer, au domicile ou au bureau de l'utilisateur final, tout composant avéré défectueux du fait des matériaux ou de la main-d'œuvre, en tenant compte des conditions et exclusions décrites plus bas, pendant une période d'une année à compter de la date d'achat par l'utilisateur final.

### Garantie limitée supplémentaire sur les pièces uniquement de la deuxième à la cinquième année

Durant les quatre ans qui suivent l'expiration de la garantie limitée d'un an, AGA MARVEL va fournir des pièces de remplacement pour le système de refroidissement hermétiquement scellé (constitué de : compresseur, condenseur, déshydrateur, accumulateur, vanne de contournement, tube de raccordement et évaporateur), s'il s'avère défectueux du fait des matériaux ou de la main-d'œuvre, en tenant compte des conditions et exclusions qui suivent.

Les garanties précédentes ne couvrent pas :

- Les coûts d'expédition des pièces de remplacement ou des pièces défectueuses renvoyées.
- L'éducation du client ou des instructions sur la façon d'utiliser l'appareil
- Toute perte de contenu due à une panne de produit.
- Le déplacement ou l'installation du produit.

Les garanties qui précèdent ne couvrent pas non plus une panne de ce produit ou de ses composants due à :

- Transport ou dommages consécutifs au transport.
- Utilisation commerciale, ou autre qu'un usage domestique normal ou un usage dans un petit bureau.
- Une utilisation incorrecte, un mésusage, un abus, un accident ou une altération, un câblage de raccordement non conforme aux normes électriques, une tension secteur trop élevée ou trop faible, un défaut d'entretien notoire, ou toute autre utilisation non raisonnable.

## Pièces ou service

### Non fourni ou désigné par AGA MARVEL

Les garanties qui précèdent ne s'appliquent pas non plus si :

- L'acte de vente d'origine, la date de livraison, ou le numéro de série ne peuvent pas être vérifiés.
- Les pièces défectueuses ne sont pas renvoyées pour inspection si c'est demandé par AGA MARVEL.
- L'équipement de refroidissement n'est plus en la possession de l'acheteur utilisateur final d'origine.

Les garanties décrites ici sont les seules fournies par AGA MARVEL. Toutes les garanties implicites, y compris la garantie implicite de valeur marchande, sont limitées à la durée des garanties explicites. En aucun cas AGA MARVEL ne sera tenu pour responsable de tous dommages ou dépenses consécutifs ou annexes, résultant d'une inobservation de ces garanties ou d'autres garanties, qu'elles soient explicites ou implicites.

Certains États et certaines Provinces ne permettent pas l'exclusion ou la limitation des dommages consécutifs ou une limitation de la durée applicable des garanties implicites, dont la limitation ou exclusion qui précède ne peut pas être applicable à votre cas. Cette garantie vous donne des droits légaux spécifiques, et vous pouvez avoir d'autres droits qui peuvent varier d'un État à un autre.

Aucune personne, firme ou corporation, n'est autorisée à donner une garantie différente, ni à assumer une quelconque autre obligation pour AGA MARVEL. Ces garanties ne s'appliquent qu'à des produits utilisés dans un des cinquante des États-Unis d'Amérique et dans le District de Columbia.

Pour obtenir une action dans le cadre de cette garantie, signalez tous les défauts constatés à :

### AGA MARVEL

1260 E. VanDeinse St.  
Greenville MI 48838

Phone: 800.223.3900



[www.agamarvel.com](http://www.agamarvel.com)

**AGA MARVEL**

1260 E. VanDeinse St.  
Greenville MI 48838

800.223.3900

41013316-FR Rév. R  
3/23/18

Toutes les spécifications et les conceptions des produits sont sujet à des changements sans préavis. De telles révisions ne donnent aucun droit pour l'acheteur de produits antérieurs à bénéficier de ces changements, améliorations, ajouts, remplacements, ni de recevoir une compensation.

- EN** Installation, Operation and Maintenance Instructions  
**FR** Instructions d'installation, d'utilisation et d'entretien  
**ES** Instrucciones de instalación, operación y mantenimiento

Refrigerators  
Réfrigérateurs  
Refrigeradores

**ML24BC**  
**MA24BC**  
**ML24BR**  
**MA24BR**  
**ML15RA**  
**ML24RA**  
**MA24RA**  
**ML24WB**



# ÍNDICE

## Índice:

Información de seguridad.....	2
Desembalaje de su artefacto.....	3
Registro de garantía.....	3
Instalación de su artefacto.....	4
Espacios libres alrededor del gabinete .....	4
Nivelación del artefacto .....	4
Conexión eléctrica.....	5
Dimensiones del producto.....	6
Uso de su control electrónico .....	8
Puesta en funcionamiento de su artefacto .....	8
Modo de espera .....	8
Encendido (ON) y apagado (OFF) de su artefacto .....	8
Ajuste de la temperatura .....	9
Iluminación interior .....	9
Modo de temperatura .....	9
Bloqueo del control.....	10
Códigos de error del sensor de temperatura .....	10
Alarmas .....	10
Puerta entreabierta.....	10
Corte de energía .....	11
Alarma de temperatura.....	11
Modo Vacaciones .....	11
Instalación del panel de puerta decorativo.....	12
Configuraciones de estantes .....	19
Cuidado y limpieza .....	22
Consejos para ahorrar energía.....	22
Cómo obtener servicio.....	23
Localización de fallas .....	24
Garantía.....	25

## Instrucciones importantes de seguridad

Las advertencias e instrucciones de seguridad que aparecen en esta guía no se proponen tratar todas las condiciones y situaciones que pueden ocurrir. Deben aplicarse el sentido común, la precaución y el cuidado al instalar, mantener y operar este artefacto.

**Reconozca los símbolos,  
palabras y etiquetas de seguridad.**



## ADVERTENCIA

**ADVERTENCIA** - Si no sigue las instrucciones, usted puede morir o sufrir una lesión grave.



## PRECAUCION

**PRECAUCIÓN**-Riesgos o procedimientos inseguros que podrían provocar lesiones personales o daños materiales o al producto.

## NOTA

**NOTA**-Información importante que ayuda a asegurar una instalación y operación libres de problemas.



## ADVERTENCIA

**Advertencias de la Proposición 65 del estado de California:**  
Este producto contiene una o más sustancias químicas identificadas por el estado de California como causantes de cáncer.



## ADVERTENCIA

**Advertencias de la Proposición 65 del estado de California:**  
Este producto contiene una o más sustancias químicas identificadas por el estado de California como causantes de defectos congénitos o algún otro tipo de daños en la función reproductora.



# DESEMBALAJE DE SU ARTEFACTO



## ADVERTENCIA

### RIESGO DE PESO EXCESIVO

Se necesitan dos o más personas para mover el producto. Si no se procede así, pueden producirse lesiones personales.

### Retiro del embalaje interior

Su artefacto se ha embalado para el transporte con todas las piezas que pudieran dañarse por el movimiento sujetas firmemente. Retire los materiales de empaque internos y -si las hubiera- las cintas que sujetan los componentes. El manual del usuario se envía dentro del producto en una bolsa de plástico junto con la tarjeta de registro de garantía y otros accesorios.

### Importante

Conserve la caja y el material de embalaje hasta que su artefacto se haya inspeccionado bien a fondo y se haya comprobado que está en buenas condiciones. Si hubiera daños, se necesitará el material de embalaje como una prueba del daño en tránsito. Luego, elimine todos los elementos de manera responsable.



## ADVERTENCIA

**ADVERTENCIA** - Elimine las bolsas de plástico, ya que pueden presentar un riesgo de asfixia.

### Nota para el cliente

Esta mercancía se embaló en forma cuidadosa y se inspeccionó bien a fondo antes de salir de nuestra planta. La responsabilidad por su entrega segura fue asumida por el comerciante minorista al aceptar el envío. Los reclamos por pérdida o daños sufridos en el tránsito deben presentarse al comerciante minorista.

## NOTA

NO REGRESE MERCANCÍA DAÑADA AL FABRICANTE; PRESENTE EL RECLAMO AL COMERCIANTE MINORISTA.



## PRECAUCION

Si el artefacto se transportó, manejó o almacenó en una posición diferente de la vertical durante cualquier intervalo de tiempo, deje que permanezca en posición vertical durante 24 horas como mínimo antes de enchufarlo.

Esto asegurará que el aceite regrese al compresor. Si se enchufa el artefacto de inmediato, pueden dañarse algunas piezas internas.

### Registro de garantía

Es importante que envíe su tarjeta de registro de la garantía inmediatamente después de haber recibido su artefacto; también puede registrarlo a través de Internet en la página [www.agamarvel.com](http://www.agamarvel.com).

Cuando registre su artefacto se le solicitará la información siguiente:

Número de servicio

Número de serie

Fecha de la compra

Nombre y dirección del comerciante

El número de servicio y el número de serie pueden encontrarse en la placa de identificación que está ubicada dentro del gabinete, en el lado izquierdo cerca de la parte superior (vea la Figura 1).

**Registro en línea  
disponible en  
[www.agamarvel.com](http://www.agamarvel.com)**

AGA MARVEL  
GREENVILLE, MI 48838  
MODEL NO. [ ]  
SERVICE NO. XXXXXXXXXXXX  
SERIAL NO. XXXXXXXXXXXX  
HZ [ ] VOLTS [ ] AMPS [ ] R134A [ ] OZ [ ]  
TEST PRESSURE 140 PSI LOW SIDE  
300 PSI HIGH SIDE

Figura 1



## ADVERTENCIA

**ADVERTENCIA** - El atrapamiento y la asfixia de niños no son problemas del pasado. Los refrigeradores desguazados o abandonados siguen siendo peligrosos, aun cuando se los haya dejado 'sólo por unos pocos horas'.

Si va a deshacerse de su viejo refrigerador, observe las instrucciones que siguen a fin de ayudar a prevenir accidentes.

Antes de tirar su viejo refrigerador o congelador:

- Extraiga las puertas o retire los estantes.
- Deje los estantes en su lugar, de modo que los niños no puedan trepar fácilmente al interior.

# INSTALACIÓN DE SU ARTEFACTO

## Selección de la ubicación

La ubicación adecuada asegurará el desempeño óptimo de su artefacto. Recomendamos una ubicación en la que la unidad esté a cubierto de la luz solar directa y lejos de fuentes de calor. Para asegurar que su producto funcione de acuerdo con las especificaciones, el rango de temperaturas recomendado para la ubicación de instalación es de 55 a 100° F (de 13 a 38° C).

## Espacios libres alrededor del gabinete

Se necesita ventilación desde la parte delantera inferior del artefacto. Mantenga esta área abierta y libre de toda obstrucción. Pueden instalarse gabinetes adyacentes y una cubierta alrededor del artefacto, siempre que la rejilla frontal permanezca sin obstrucciones. Los modelos con puerta decorativa y bisagras articuladas están destinados únicamente a aplicaciones empotradas.

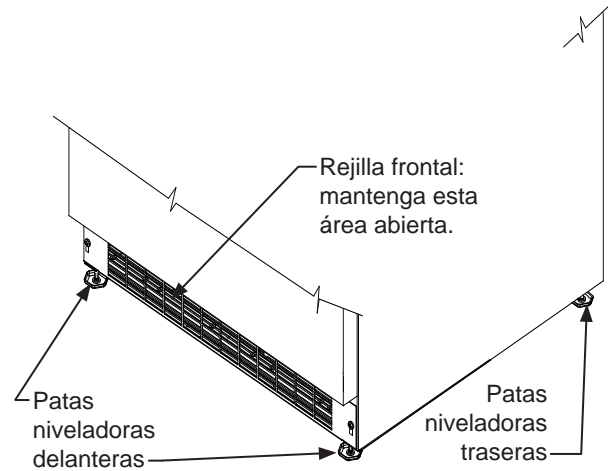


Figura 2



## ADVERTENCIA

Para el apilado de productos se necesita un kit de apilado. Si no se utiliza un kit de apilado, podrían producirse lesiones personales. Para solicitarlo, comuníquese con su proveedor o con el servicio al cliente de Aga Marvel llamando al 8'00-223-3900.

## Patas niveladoras traseras

Las patas ajustables que están en las esquinas delanteras y traseras del artefacto deben regularse de modo que la unidad quede posicionada firmemente sobre el piso, y nivelada de lado a lado y del frente al fondo. La altura total de su artefacto Marvel puede ajustarse entre la dimensión mínima (girando la pata niveladora hacia adentro CW ↻) y la máxima (girando la pata niveladora hacia afuera CCW ↻), como se muestra en la Tabla 'A'.

Para ajustar las patas niveladoras, coloque el artefacto sobre una superficie sólida y proteja la zona del piso que está debajo de las patas, para evitar rayarlo. Con la ayuda de otra persona, incline el artefacto hacia atrás para tener acceso a las patas niveladoras. Haga girar las patas para subirlas o bajarlas hasta la dimensión requerida. Repita este proceso para la parte trasera inclinando con cuidado el artefacto hacia adelante. Verifique la nivelación del artefacto sobre una superficie nivelada, y ajuste según sea necesario.

Los tornillos de la rejilla frontal pueden aflojarse para ajustar la rejilla a la altura deseada. Cuando finalice el ajuste, apriete los dos tornillos de la rejilla frontal (vea la Figura 5).



## PRECAUCION

### Rejilla frontal

No obstruya la rejilla frontal. Las aberturas de la rejilla frontal permiten que el aire circule a través del intercambiador de calor del condensador. Las restricciones a esta circulación de aire darán como resultado mayor consumo de energía y pérdida de la capacidad de enfriamiento. Por esta razón es importante que esta área no esté obstruida y que las aberturas de la rejilla se mantengan limpias. AGA MARVEL no recomienda el uso de una rejilla de construcción especial, ya que la circulación de aire puede verse restringida (vea la Figura 2).

Modelo	Estilo de la Puerta	Altura mínima	Altura Máxima
ML(15)(24)*	(S) o (G)	33 ¾" (85,7 cm)	34 ¾" (88,3 cm)
ML(15)(24)*	(P) o (F)	34" (86,4 cm)	35" (88,9 cm)
MA24*	(S) o (G)	31 ⅛" (79,1 cm)	32 ⅛" (81,6 cm)
MA24*	(P) o (F)	31 ⅜" (79,7 cm)	32 ⅜" (82,2 cm)

Tabla A

# INSTALACIÓN DE SU ARTEFACTO

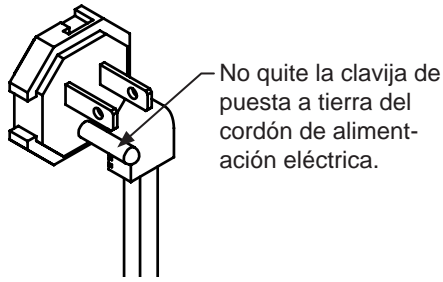


Figura 3

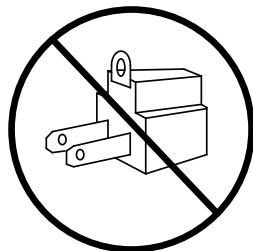


Figura 4

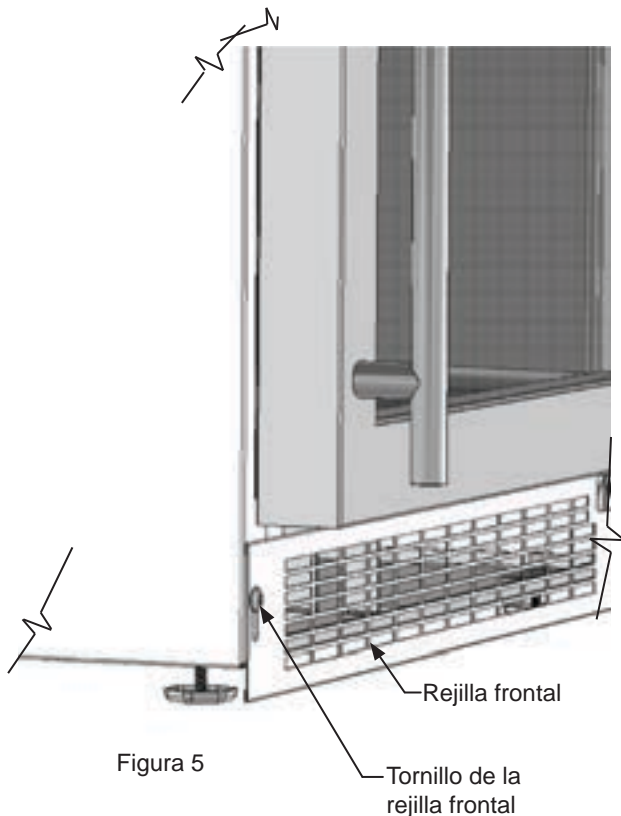


Figura 5



## ADVERTENCIA

### Peligro de choque eléctrico

- No utilice cordones de extensión con este artefacto. Pueden ser peligrosos, y pueden degradar el funcionamiento del producto.
  - Este artefacto no debe conectarse en ninguna circunstancia a un suministro eléctrico sin conexión a tierra.
  - No quite la clavija de puesta a tierra del cordón de alimentación eléctrica. (vea la Figura 3).
- No use un adaptador. (vea la Figura 4).
- No salpique ni rocíe agua desde una manguera sobre el artefacto. Si lo hace puede causar un choque eléctrico, que puede provocar lesiones graves o la muerte.

### Conexión eléctrica

Se necesita un circuito dedicado de 115 volts, 15 amperes.

Este producto está equipado de fábrica con un cordón de alimentación eléctrica que tiene un enchufe de tres clavijas con puesta a tierra. Debe enchufarse en un tomacorriente compatible con puesta a tierra, de acuerdo con el Código Eléctrico Nacional de los EE. UU., así como los códigos y ordenanzas locales que sean aplicables (vea la Figura 6). Si el circuito no tiene un tomacorriente con puesta a tierra, es responsabilidad y obligación del cliente proporcionar el suministro eléctrico correcto. No debe cortarse ni quitarse la tercera clavija de tierra bajo ninguna circunstancia.

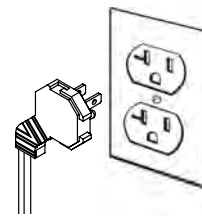


Figura 6

## NOTA

Los interruptores de falla a tierra (GFCI) son propensos a los falsos disparos, que harán que el artefacto se apague. Los GFCI no se usan por lo general en circuitos con equipos motorizados que deben funcionar desatendidos durante períodos prolongados, a menos que sea necesario para cumplir con los códigos y ordenanzas de edificación locales.

# DIMENSIONES DEL PRODUCTO

MODELO	DIMENSIONES DE LA ABERTURA DE INSTALACIÓN pulgadas (cm)			DIMENSIONES DEL GABINETE pulgadas (cm)					
	"A"	"B"	"C"	"D"	"E"	"F"	"G"	"H"	"J"
ML15**(G) o (S)	15" (38,1 cm)	**34" a 35" (86,4 a 88,9 cm)	24" (61 cm)	14 <sup>7</sup> / <sub>8</sub> " (37,8 cm)	33 <sup>3</sup> / <sub>4</sub> " a 34 <sup>3</sup> / <sub>4</sub> " (85,7 a 88,3 cm)	23 <sup>23</sup> / <sub>32</sub> " (60,2 cm)	25 <sup>21</sup> / <sub>32</sub> " (65,2 cm)	37 <sup>13</sup> / <sub>32</sub> " (95 cm)	16 <sup>1</sup> / <sub>16</sub> " (42,4 cm)
ML15**(P) o (F)	15" (38,1 cm)	**34 <sup>1</sup> / <sub>4</sub> " a 35 <sup>1</sup> / <sub>4</sub> " (87 a 89,5 cm)	* 24" (61 cm)	14 <sup>7</sup> / <sub>8</sub> " (37,8 cm)	34" a 35" (86,4 a 88,9 cm)	22 <sup>7</sup> / <sub>8</sub> " (58,1 cm)	-	37 <sup>1</sup> / <sub>2</sub> " (95,2 cm)	14 <sup>1</sup> / <sub>8</sub> " (35,9 cm)
ML24**(G) o (S)	24" (61 cm)	**34" a 35" (86,4 a 88,9 cm)	24" (61 cm)	23 <sup>7</sup> / <sub>8</sub> " (60,7 cm)	33 <sup>3</sup> / <sub>4</sub> " a 34 <sup>3</sup> / <sub>4</sub> " (85,7 a 88,3 cm)	23 <sup>23</sup> / <sub>32</sub> " (60,2 cm)	25 <sup>21</sup> / <sub>32</sub> " (65,2 cm)	46 <sup>13</sup> / <sub>32</sub> " (117,9 cm)	25 <sup>1</sup> / <sub>16</sub> " (65,2 cm)
ML24**(P) o (F)	24" (61 cm)	** 34 <sup>1</sup> / <sub>4</sub> " a 35 <sup>1</sup> / <sub>4</sub> " (87 a 89,5 cm)	* 24" (61 cm)	23 <sup>7</sup> / <sub>8</sub> " (60,7 cm)	34" a 35" (86,4 a 88,9 cm)	22 <sup>7</sup> / <sub>8</sub> " (58,1 cm)	-	46 <sup>1</sup> / <sub>2</sub> " (118,1 cm)	23 <sup>1</sup> / <sub>8</sub> " (58,7 cm)
MA24**(G) o (S)	24" (61 cm)	** 31 <sup>1</sup> / <sub>8</sub> " a 32 <sup>3</sup> / <sub>8</sub> " (79,7 a 82,2 cm)	24" (61 cm)	23 <sup>7</sup> / <sub>8</sub> " (60,7 cm)	31 <sup>1</sup> / <sub>8</sub> " a 32 <sup>1</sup> / <sub>8</sub> " (79,1 a 81,6 cm)	23 <sup>23</sup> / <sub>32</sub> " (60,2 cm)	25 <sup>2</sup> / <sub>32</sub> " (65,2 cm)	46 <sup>13</sup> / <sub>32</sub> " (117,9 cm)	25 <sup>1</sup> / <sub>16</sub> " (65,2 cm)
MA24**(P) o (F)	24" (61 cm)	** 31 <sup>1</sup> / <sub>8</sub> " a 32 <sup>3</sup> / <sub>8</sub> " (80,3 a 82,9 cm)	* 24" (61 cm)	23 <sup>7</sup> / <sub>8</sub> " (60,7 cm)	31 <sup>3</sup> / <sub>8</sub> " a 32 <sup>3</sup> / <sub>8</sub> " (79,7 a 82,2 cm)	22 <sup>7</sup> / <sub>8</sub> " (58,1 cm)	-	46 <sup>1</sup> / <sub>2</sub> " (118,1 cm)	23 <sup>1</sup> / <sub>8</sub> " (58,7 cm)

ESTILO DE LA PUERTA
(G) Puerta de vidrio con marco
(S) Puerta maciza
(P) Puerta maciza decorativa (sin manija)
(F) Puerta de vidrio con marco decorativa (sin manija)

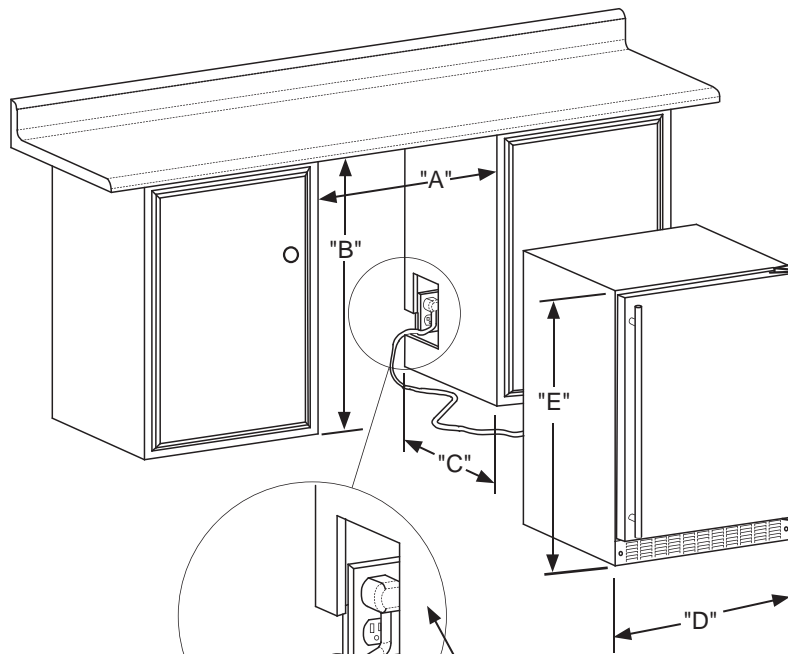


Figura 7a

Figura 7  
(S) vista puerta maciza



Figura 8

Si fuera necesario ganar espacio libre dentro de la abertura de instalación, puede hacerse un agujero a través del gabinete adyacente y pasar el cordón de alimentación eléctrica a través de ese agujero hasta un tomacorriente. Otra manera de aumentar la profundidad disponible de la abertura es empotrar el tomacorriente eléctrico en la pared trasera para ganar el espesor del enchufe de alimentación eléctrica. No todas las cajas de tomacorriente empotradas serán apropiadas para esta aplicación por ser demasiado delgadas, por lo que se recomienda para esta aplicación una caja de tomacorriente empotrada equivalente a la Arlington #DV-FR1W (vea la Figura 8).

## DIMENSIONES DEL PRODUCTO

DATOS DEL PRODUCTO		
MODELO	REQUISITOS ELÉCTRICOS #	PESO DEL PRODUCTO
ML15**(G) o (S)	115 V / 60 Hz / 15 A	105 lbs (47,7 kg)
ML15**(P) o (F)	115 V / 60 Hz / 15 A	105 lbs (47,7 kg)
ML24**(G) o (S)	115 V / 60 Hz / 15 A	140 lbs (63,6 kg)
ML24**(P) o (F)	115 V / 60 Hz / 15 A	140 lbs (63,6 kg)
MA24**(G) o (S)	115 V / 60 Hz / 15 A	140 lbs (63,6 kg)
MA24**(P) o (F)	115 V / 60 Hz / 15 A	140 lbs (63,6 kg)

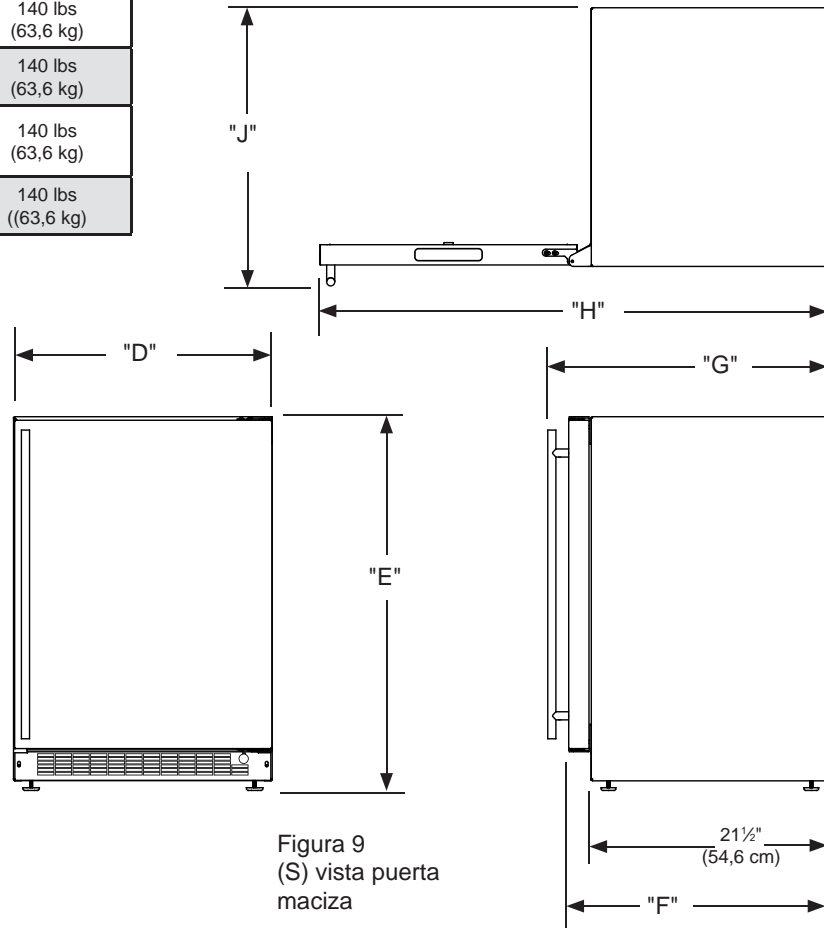


Figura 9  
(S) vista puerta maciza

\* Para instalar modelos (F) (P) con la cara de la puerta alineada con las puertas de los armarios adyacentes, el espesor del panel decorativo del cliente no puede exceder de  $\frac{3}{4}$  de pulgada (19mm).

\*\* La abertura de instalación mínima requerida debe ser mayor que la altura ajustada del gabinete.

# Se necesita un circuito dedicado de 15 amperes con conexión a tierra. Cumpla con todos los códigos de edificación locales cuando instale el circuito eléctrico y el artefacto.

ESTO SE APLICA A LOS MODELOS DE MARVEL SIGUIENTES:			
ML15BC	MA24BC		
ML15RA	MA24BR		
	MA24RA		
	ML24BC		
	ML24BR		
	ML24RA		
	ML24WB		

# USO DE SU CONTROL ELECTRÓNICO



Figura 10  
Control electrónico para una sola zona



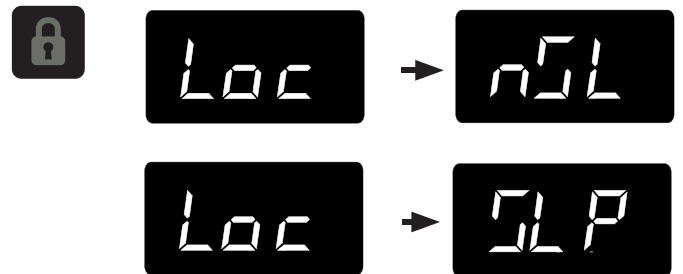
Para activar la pantalla, pulse cualquier tecla. Sonará un tono audible de confirmación y aparecerá la temperatura actual del compartimento de almacenamiento.

## Puesta en funcionamiento de su artefacto (una y dos zonas):

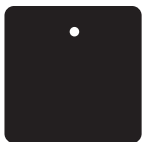
Enchufe el cable eléctrico en la toma de corriente de pared de 115 V. Su artefacto se entrega de fábrica en la posición "Encendido" y comenzará a enfriar tan pronto se conecte a la alimentación eléctrica. Si el artefacto no arranca, verifique si la toma de corriente tiene electricidad y que el control esté en la posición "Encendido", (consulte la sección "Encendido / Apagado del artefacto" más adelante).

La pantalla de control está cubierta con una película de plástico transparente. Esta película se puede retirar levantándola con cuidado en una esquina.

Durante el encendido inicial, la pantalla de control mostrará una alarma por "Corte de energía". Esta es una condición normal pues el artefacto fue encendido por primera vez en la fábrica para la inspección de calidad y luego desconectado. Pulse una vez la tecla "Encendido / Apagado" para apagar la condición de alarma (consulte la sección "Alarmas" en la página 10).



Si prefiere tener la pantalla continuamente encendida, desactive el modo de espera. Mantenga pulsado el botón "Bloqueo" hasta que en la pantalla desaparezca "Loc" y aparezca "nSL". Para activar el modo de espera, repita la instrucción anterior hasta que desaparezca "Loc" y la pantalla muestre "SLP".



## Modo de espera (una y dos zonas):

Si no se pulsa ninguna tecla durante 60 segundos, la pantalla entrará en el modo de espera para ahorrar energía. El panel de control se apagará, excepto el indicador de sistema OK que permanecerá encendido. Cualquier condición de alarma activará la pantalla, (vea "Alarmas" en la página 10).

Para realizar cambios en los ajustes del control (encender o apagar el artefacto, ajustar la temperatura, cambiar la iluminación interior y activar el modo vacaciones), el control debe estar activado.



## Encendido (ON) y apagado (OFF) de su artefacto (una y dos zonas):

Si el artefacto está encendido (y no está en el modo de espera), la pantalla mostrará la temperatura. Para apagar el artefacto mantenga pulsada la tecla "Encendido / Apagado" durante 4 segundos. El control mostrará "OFF".



Para encender el artefacto mantenga pulsada la tecla de encendido / apagado durante 4 segundos.



## USO DE SU CONTROL ELECTRÓNICO

### Ajuste de la temperatura:

#### NOTA

Su bodegas para vinos puede tardar hasta 48 horas para estabilizar la temperatura del compartimiento de almacenamiento en la primera carga con productos calientes.

Los cambios en la temperatura de consigna pueden hacer que el bodegas para vinos tarde hasta 24 horas para estabilizar la temperatura del contenido almacenado.

Los factores que afectan la estabilización de la temperatura en el compartimiento de almacenamiento son:

- Cambios en el valor de consigna de la temperatura.
- Cambios en la temperatura de la habitación.
- Temperatura del contenido almacenado.
  - Carga de productos calientes.
  - La carga de productos fríos retrasará el cambio a una temperatura de consigna más caliente.
  - La carga de productos calientes retrasará el cambio a una temperatura de consigna más fría.
- Uso (cantidad y duración de las aperturas de la puerta).
- Uso de la iluminación del compartimiento de almacenamiento (solo bodegas para vinos con puerta de vidrio).
- Exposición del artefacto a la luz solar directa o a una fuente de calor.

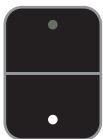


### Modelos con una zona:

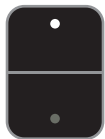
Para establecer o ver el valor de consigna de la temperatura (con el control fuera del modo de espera), pulse la tecla “-” o “+”. La pantalla mostrará “SET” y el valor de consigna de la temperatura parpadeando. Para ajustar la temperatura más fría o más caliente, pulse repetidamente las teclas “-” o “+” respectivamente. Cuando haya alcanzado la temperatura de consigna deseada, pulse el botón “Encendido / Apagado” para introducir el valor, o no haga nada y el modo “Set” aceptará automáticamente la temperatura visualizada como el nuevo valor de consigna una vez transcurrido un tiempo de espera de 10 segundos.

El rango de la temperatura de consigna admitido por su artefacto es de 34°F (1.2°C) to 42°F (5.7°C). Si intenta ajustar la temperatura fuera de este rango, recibirá una notificación audible.

Zona inferior  
habilitada



Zona superior  
habilitada



### Modelos con dos zonas:

En la bodega de dos zonas, las temperaturas se pueden ajustar para cada zona (superior e inferior) de manera individual. Para ello primero debe habilitar la zona en la que desea ajustar la temperatura, pulsando el botón superior o inferior de la pantalla. A continuación, se encenderá el indicador LED correspondiente.



Para modificar el valor de consigna de la temperatura de una zona en particular (con la zona habilitada y el control fuera del modo de espera), pulse la tecla “-” o “+”. La pantalla mostrará “SET” y el valor de consigna de la temperatura parpadeando. Para ajustar la temperatura más fría o más caliente, pulse repetidamente las teclas “-” o “+” respectivamente. Cuando haya alcanzado la temperatura de consigna deseada, pulse el botón “Encendido / Apagado” para introducir el valor, o no haga nada y el modo “Set” aceptará automáticamente la temperatura visualizada como el nuevo valor de consigna una vez transcurrido un tiempo de espera de 10 segundos.

El rango de la temperatura de consigna admitido por su artefacto es de 34°F (1.2°C) to 42°F (5.7°C) para la zona inferior y de 45°F (7°C) to 60°F (16°C) para la zona superior. Si intenta ajustar la temperatura fuera de estos rangos, recibirá una notificación audible.

#### NOTA

Zona superior están diseñadas exclusivamente para el almacenamiento de vino. Zona superior no pueden alcanzar las temperaturas adecuadas para el almacenamiento de alimentos frescos.



### Iluminación interior: (solo modelos con puerta de vidrio)

Su artefacto está equipado con una función que permite escoger entre dos niveles de iluminación interior. Con el control fuera del modo de espera, pulse la tecla “Luces” para activar la iluminación interior en el nivel máximo. Sonará un tono de confirmación y se encenderá el indicador con el ícono de una bombilla. Si pulsa nuevamente la tecla “Luces”, la iluminación se atenuará en un 50%. Si pulsa por tercer vez el botón, la iluminación se apagará. La iluminación interior se desactivará automáticamente después de 4 horas.



### Modo de temperatura (una y dos zonas):

El modo de temperatura está predefinido en fábrica en grados Fahrenheit (° F), pero usted tiene la opción de cambiar a Celsius (° C). Para cambiar el modo, mantenga pulsadas las teclas “-” y “+” y luego suelte la tecla “-”.

La temperatura se mostrará ahora en grados centígrados (° C).

Repita el procedimiento para cambiar el modo de temperatura de nuevo a grados Fahrenheit (° F).

# USO DE SU CONTROL ELECTRÓNICO

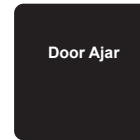


## Alarmas (una y dos zonas:

El control emitirá un aviso cuando las condiciones podrían afectar negativamente al rendimiento del artefacto.

## Bloqueo del control (una y dos zonas:

El panel de control se puede bloquear para evitar cambios accidentales. Para bloquear el control, mantenga pulsada la tecla "Bloqueo" hasta que la pantalla muestre "Loc"; a inmediatamente continuación suelte la tecla. El icono de bloqueo parpadeará 3 veces y luego quedará permanentemente encendido. Cuando el panel de control está bloqueado, solo están activos el botón "Bloqueo", el indicador de sistema OK y el indicador de alarma. Para eliminar el bloqueo del panel de control, repita esta instrucción hasta que la pantalla muestre "nLc". A inmediatamente continuación suelte la tecla.



- **Puerta entreabierta:** si la puerta está abierta o está mal cerrada durante más de 5 minutos, el indicador de sistema OK se apagará y comenzará a parpadear el indicador "Puerta entreabierta" acompañado de un tono audible cada 60 segundos. Además, se encenderá el indicador "ALARM RESET" (Apagar alarma) bajo la tecla "Encendido / Apagado".

## NOTA



Si el bloqueo de control está activo (icono de bloqueo iluminado) el control tienen que ser desbloqueados antes de usar el teclado para restablecer una situación de alarma. Consulte la página 10 (Bloqueo de control) para obtener instrucciones para desbloquear el control.

## Códigos de error del sensor de temperatura

Los sensores de temperatura son monitoreados continuamente. Cualquier condición de CIRCUITO ABIERTO o EN CORTOCIRCUITO iniciará un CÓDIGO DE ERROR según se enumera a continuación:

### Modelos con una zona:

Códigos de error del sensor de temperatura			
Sensor	Código mostrado	Descripción del error	Acción que se debe tomar
Sensor de temperatura de zona única		El sensor de temperatura falló en el compartimiento de zona única. Puede llevar a temperaturas de almacenamiento del vino no deseadas.	Llame al departamento de servicio para solicitar el reemplazo del sensor de temperatura.
Sensor de eliminación de escarcha		El sensor de temperatura de eliminación de escarcha falló. Causa que la unidad no elimine apropiadamente la escarcha y puede crear acumulación grande de escarcha. Puede llevar a daño por agua de la unidad y del piso circundante	Desenchufe inmediatamente el cable de suministro de energía y llame al departamento de servicio para solicitar el reemplazo del sensor de eliminación de escarcha.

### Modelos de zona doble:

Códigos de error del sensor de temperatura			
Sensor	Código mostrado	Descripción del error	Acción que se debe tomar
Sensor de temperatura de la zona superior		El sensor de temperatura falló en el compartimiento de la zona superior. Puede llevar a temperaturas de almacenamiento del vino no deseadas.	Llame al departamento de servicio para solicitar el reemplazo del sensor de temperatura.
Sensor de temperatura de la zona inferior		El sensor de temperatura falló en el compartimiento de la zona inferior. Puede llevar a temperaturas de almacenamiento del vino no deseadas.	Llame al departamento de servicio para solicitar el reemplazo del sensor de temperatura.
Sensor de eliminación de escarcha		El sensor de temperatura de eliminación de escarcha falló. Causa que la unidad no elimine apropiadamente la escarcha y puede crear acumulación grande de escarcha. Puede llevar a daño por agua de la unidad y del piso circundante	Desenchufe inmediatamente el cable de suministro de energía y llame al departamento de servicio para solicitar el reemplazo del sensor de eliminación de escarcha



## USO DE SU CONTROL ELECTRÓNICO



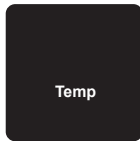
- **Corte de energía:** si se interrumpe la alimentación al artefacto, el indicador de estado del sistema se apagará y comenzará a parpadear el indicador "Corte de energía". Además, se encenderá el indicador "ALARM RESET" (Apagar alarma) bajo la tecla "Encendido / Apagado". El equipo no emitirá ningún tono audible de aviso. Esta condición de alarma se puede apagar pulsando la tecla "Encendido / Apagado". Si se produce esta alarma, se recomienda que verifique el estado de los alimentos perecederos, aún cuando el artefacto funcione normalmente y la temperatura se haya recuperado, pues los cortes de energía prolongados podrían dar lugar a variaciones de temperatura excesivas que pueden arruinar los alimentos perecederos.

Esta condición de alarma se puede apagar pulsando la tecla "Encendido / Apagado". Si se produce esta alarma, se recomienda que verifique el estado del contenido almacenado, aún cuando el artefacto funcione normalmente y la temperatura se haya recuperado, pues las variaciones de temperatura prolongadas pueden arruinar los alimentos perecederos.

### NOTA

Door Ajar  
Temp

También pueden aparecer varias alarmas al mismo tiempo. Por ejemplo, una alarma de "Puerta entreabierta" durante un tiempo prolongado puede generar una alarma por temperatura "Temp" con la activación simultánea de ambos indicadores.



- **Alarma de temperatura:** Si la temperatura del compartimiento de almacenamiento se desvía excesivamente de su temperatura de consigna durante un período prolongado de tiempo, el indicador "TEMP" parpadeará, y sonará un pitido cada 60 segundos. Además, un indicador "ALARM RESET" (Apagar alarma) aparecerá debajo del teclado "ON / OFF" (Encendido / Apagado).

### Modo Vacaciones:

Este modo de operación se puede utilizar para ahorrar energía mediante la desactivación de las luces, los tonos de alarma y los tonos de entrada de teclado durante los períodos en los que el costo de la energía es elevado, o cuando el artefacto no será utilizado durante un tiempo prolongado. El modo Vacaciones también sirve como modo de reposo sabático mediante la desactivación de las funciones y los controles de acuerdo con el Shabat y las fiestas religiosas observadas por la comunidad judía ortodoxa. Cuando se utiliza como modo de reposo sabático, puede abrir o cerrar la puerta en cualquier momento para acceder al contenido sin preocuparse del encendido o apagado de luces, indicaciones digitales, solenoides, ventiladores, válvulas, compresor, íconos, tonos audibles o alarmas.

Cuando este modo está activado, la pantalla, los indicadores y tonos de alarma, los tonos de entrada del teclado, las luces interiores y todas las opciones están desactivadas. Todas las funciones del teclado están desactivadas excepto la de la tecla "Encendido / Apagado", necesaria para salir del modo Vacaciones. Las temperaturas del compartimiento de almacenamiento son supervisadas y controladas en la configuración antes de entrar en el modo Vacaciones.

### NOTA

Después de una condición de alarma de temperatura alta, revise todos los productos perecederos para garantizar que son seguros para consumo.

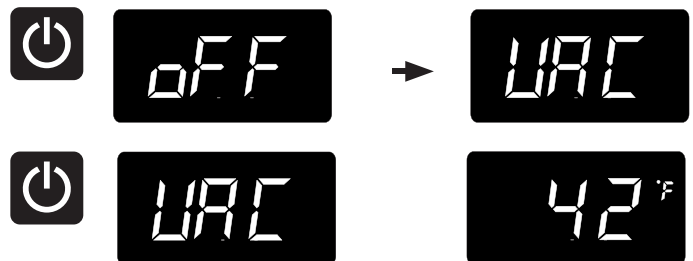
### NOTA

La alarma de temperatura puede ocurrir como resultado de un uso intensivo o la introducción de los contenidos calientes en el compartimiento de almacenamiento. Si la alarma de temperatura persiste, su unidad puede requerir servicio.

### NOTA



La alarma audible se puede silenciar, para cada ocurrencia, para pulsando la tecla "Bloqueo".



Para acceder al modo Vacaciones (con el control fuera del modo de espera), mantenga pulsada la tecla "Encendido / Apagado" hasta que la pantalla deje de mostrar "OFF" y aparezca "VAC". La pantalla parpadeará "VAC" 3 veces para reconocer su solicitud, a continuación, mostrará "VAC" continuamente hasta que se salga del modo Vacaciones. Un corte de energía no producirá la salida del modo Vacaciones, esto solo puede llevarse a cabo manualmente. Para salir del modo Vacaciones y volver al funcionamiento normal, mantenga pulsada la tecla "Encendido / Apagado" hasta que el control muestre la temperatura.

# INSTALACIÓN DEL PANEL DE PUERTA DECORATIVO

Si ha comprado un modelo con panel decorativo, su unidad estará equipada con bisagras articuladas que permiten una instalación totalmente empotrada. La unidad admite paneles de  $\frac{5}{8}$ " (15 mm) y  $\frac{3}{4}$ " (18 mm) de espesor.

## PRECAUCION

Es importante usar la rejilla provista de fábrica que viene con el producto para asegurar que se mantenga el flujo de aire a través del condensador. No se recomienda el uso de una rejilla personalizada pues anulará la garantía.

## ADVERTENCIA

Los modelos con paneles decorativos están diseñados para usar **únicamente en instalaciones empotradas**. El uso en instalaciones autosostenidas podría ocasionar lesiones personales.

### Paso 1: desmonte la puerta.

Con un destornillador Phillips retire el tornillo y la abrazadera "P" de la parte inferior de la puerta cerca de la bisagra (vea la Figura 11b).

Apriete la lengüeta de sujeción del conector del cable y tire del conector para desconectar el cable de la puerta (vea la Figura 12).

Abra la puerta y afloje los tornillos que sujetan las bisagras al gabinete (2 en la parte superior y 2 en la bisagra inferior). No quite los tornillos pero afloje los lo suficiente como para que las bisagras se liberen al deslizar la puerta hacia un costado para su desmontaje.

## ADVERTENCIA

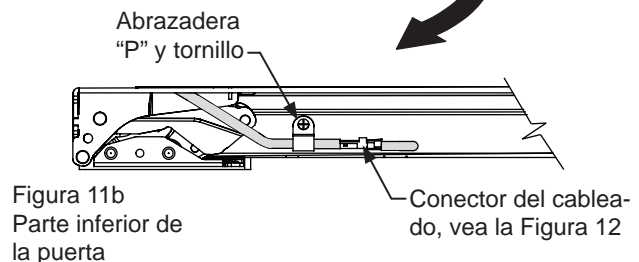
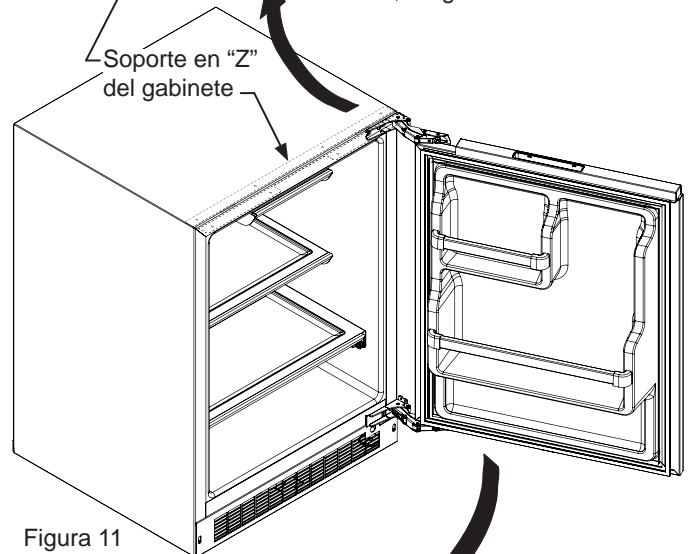
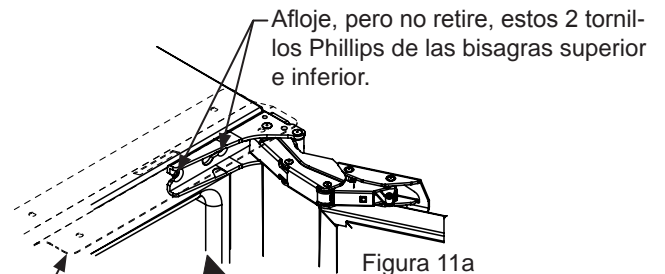
Las bisagras articuladas tienen muchos puntos que podrían pellizcar sus manos y dedos; por consiguiente, lo más seguro es cerrar las bisagras articuladas cuando está desmontar.

Con un ayudante, y teniendo cuidado de no rayar el gabinete ni la puerta, deslice la puerta hacia el costado aproximadamente  $\frac{1}{2}$  pulgada (13 mm) y retire la puerta con las bisagras de la unidad.



## ADVERTENCIA

Tenga mucho cuidado con las bisagras articuladas. La bisagra es de cierre automático y existen muchos puntos que podrían pellizcar sus manos antes de la instalación empotrada. **No desmonte el soporte en "Z" de la parte superior del gabinete.**

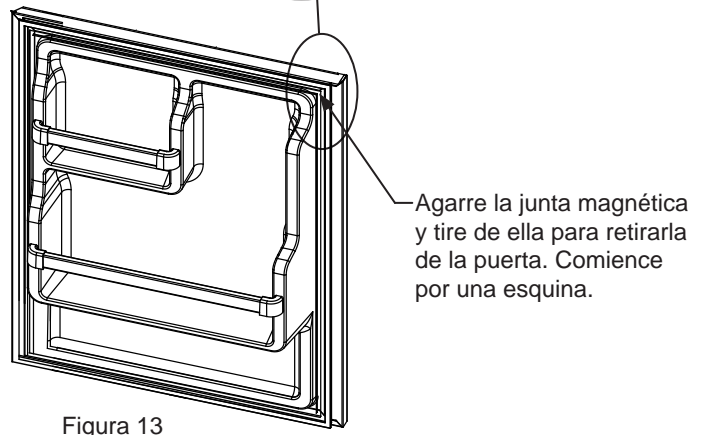
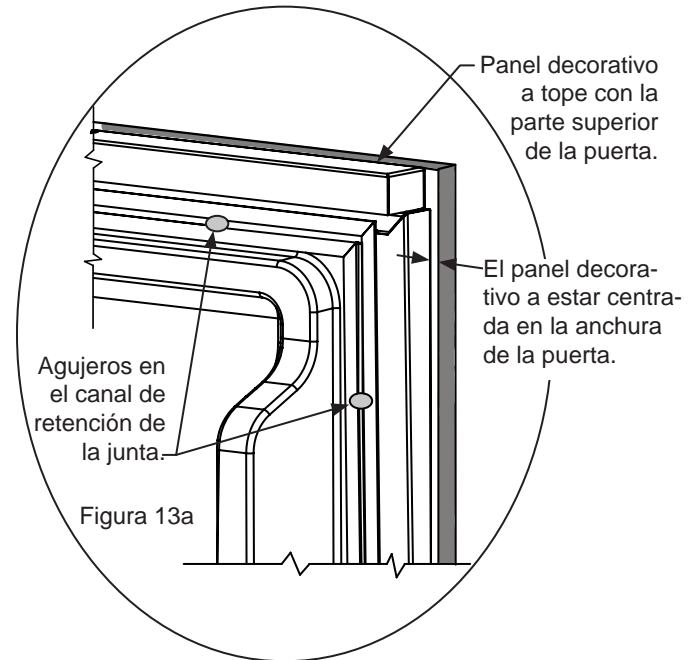
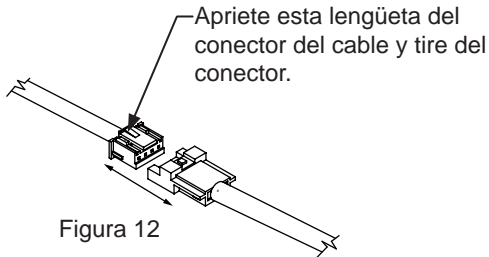


# INSTALACIÓN DEL PANEL DE PUERTA DECORATIVO

## Paso 2: desmonte la junta de la puerta.

Coloque la puerta sobre una superficie plana y, comenzando desde una esquina de la puerta, retire la junta magnética del lado interior de la puerta (vea la Figura 13). Deje la junta a un lado sobre una superficie plana.

Los canales que retienen la junta tienen 10 agujeros (3 en cada lado, 2 arriba y 2 abajo) que serán utilizados para sujetar el panel decorativo a la parte delantera de la puerta. Los tornillos se suministran con los manuales del artefacto, junto con la cerradura de la puerta (en ciertos modelos).



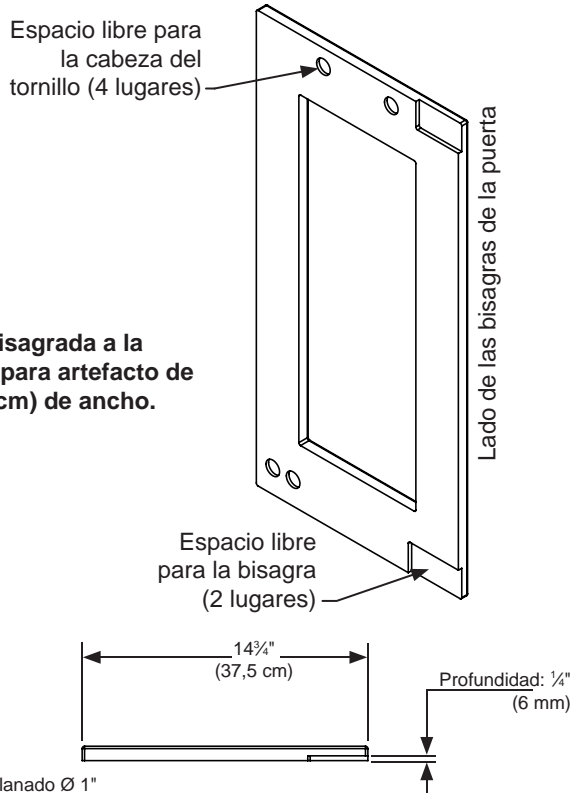
## Paso 3: corte y perfore el panel decorativo.

Corte el panel decorativo de acuerdo con el modelo de artefacto y las dimensiones indicadas en las Figura 14 a Figura 21. Vea también la altura y los estilos de puertas en la Tabla 'C'. El recorte de la ventana es solo para los modelos con puerta de vidrio. Además, si su artefacto tiene una cerradura, perfore el agujero para ella en el panel (vea la Figura 23).

# INSTALACIÓN DEL PANEL DE PUERTA DECORATIVO

Figura 14

**Puerta abisagrada a la izquierda para artefacto de 15" (38,1 cm) de ancho.**



Agujero avellanado  $\varnothing 1"$  (25,4 mm),  $\frac{1}{4}"$  (6 mm) de profundidad (4 lugares);

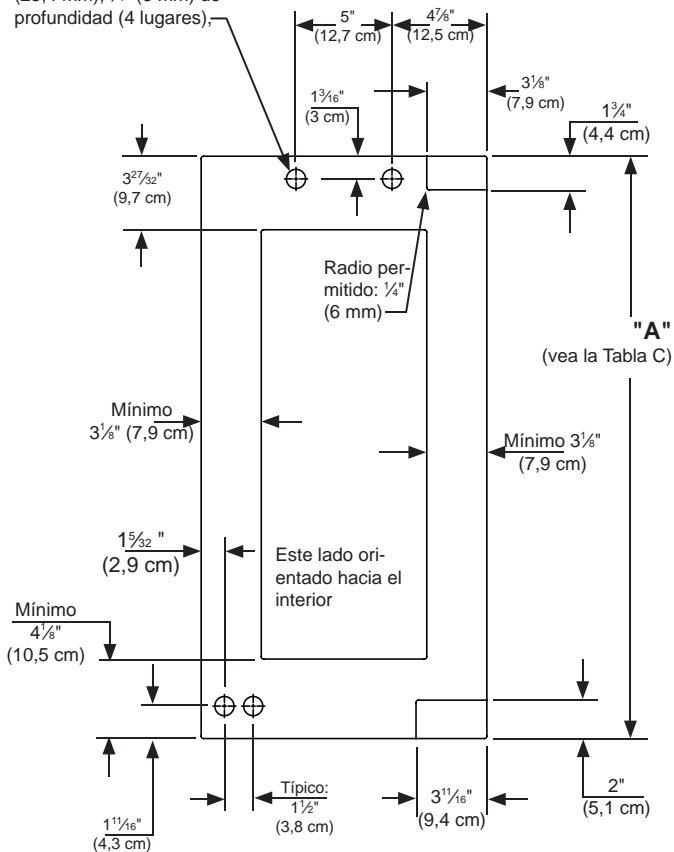


Figura 15

**Puerta abisagrada a la izquierda para artefacto de 15" (38,1 cm) de ancho.**

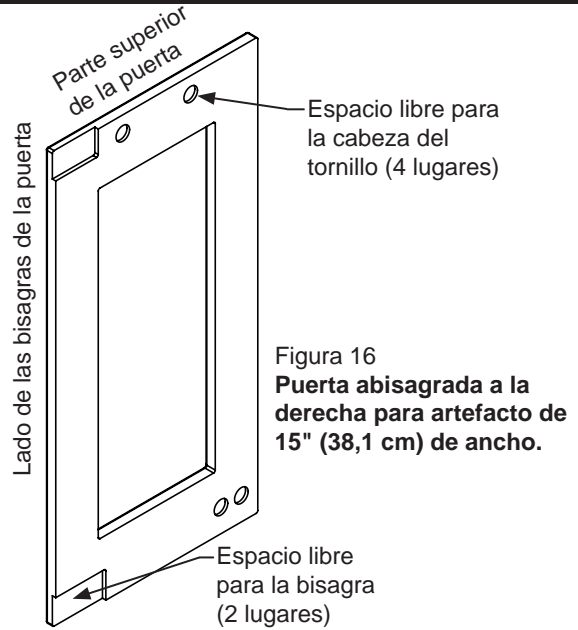


Figura 16

**Puerta abisagrada a la derecha para artefacto de 15" (38,1 cm) de ancho.**

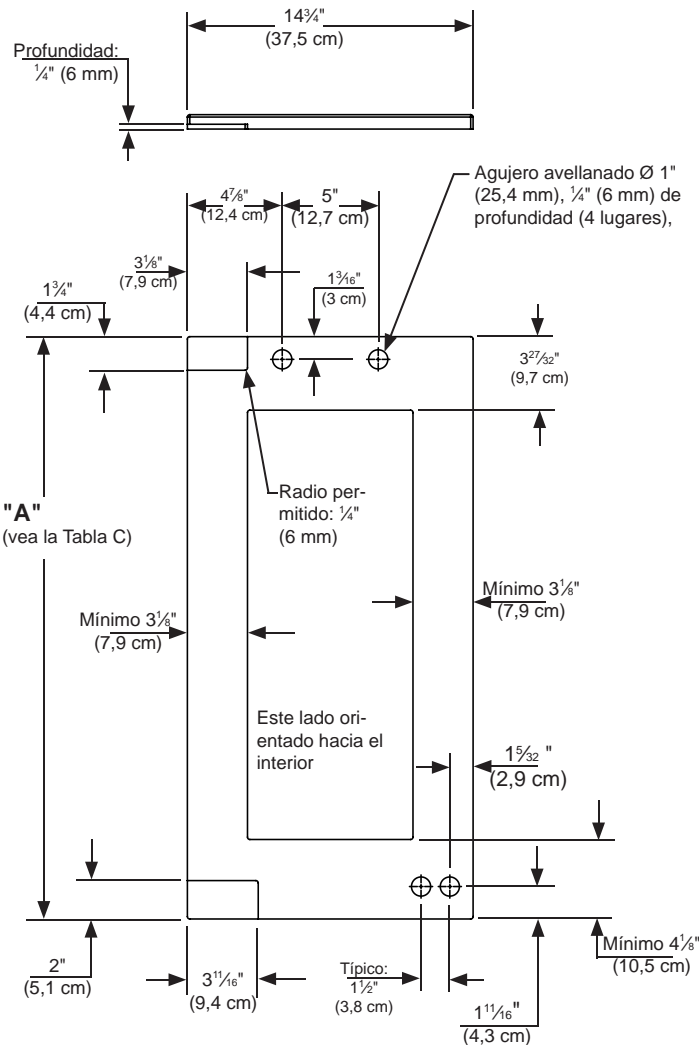


Figura 17

**Puerta abisagrada a la derecha para artefacto de 15" (38,1 cm) de ancho.**

# INSTALACIÓN DEL PANEL DE PUERTA DECORATIVO

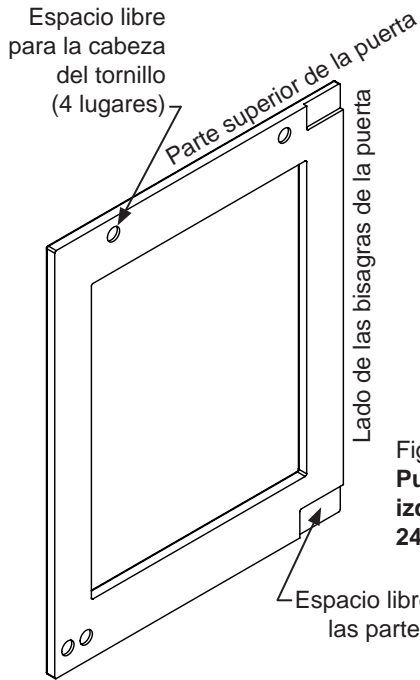


Figura 18  
Puerta abisagrada a la izquierda para artefacto de 24" (61 cm) de ancho.

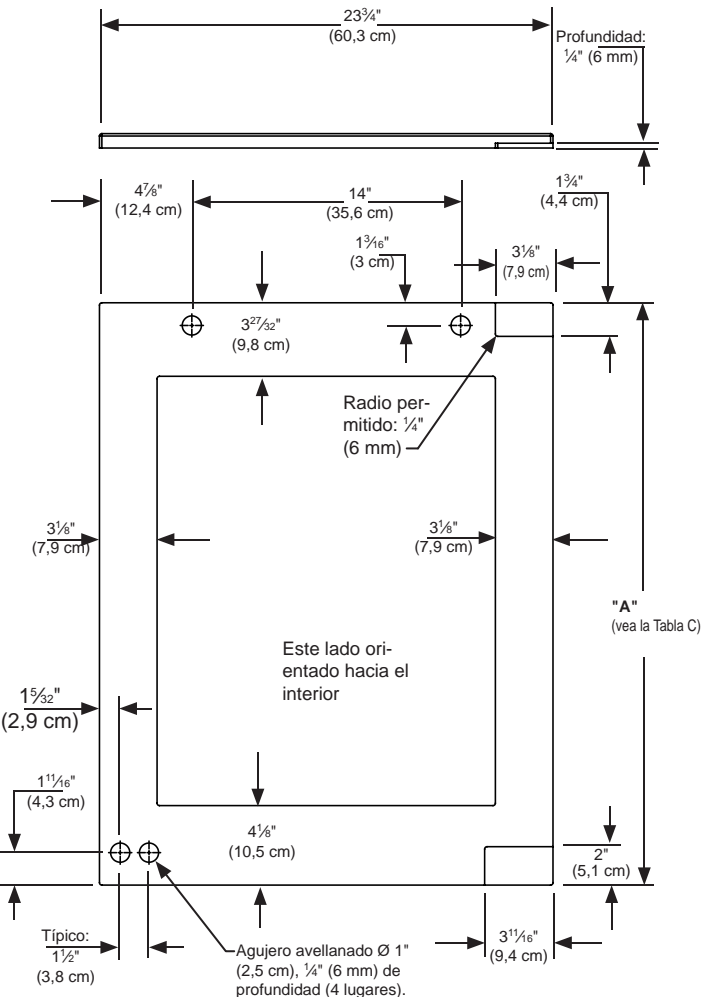


Figura 19  
Puerta abisagrada a la izquierda para artefacto de 24" (61 cm) de ancho.

## **PRECAUCIÓN**

El peso del panel decorativo de la puerta no debe exceder de 15 libras (6,8 kg) para un modelo con puerta maciza, o de 10 libras (4,5 kg) para un modelo con puerta de vidrio.

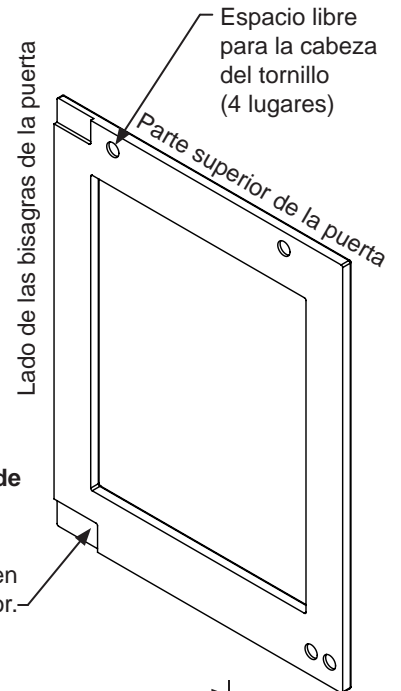


Figura 20  
Puerta abisagrada a la derecha para artefacto de 24" (61 cm) de ancho.

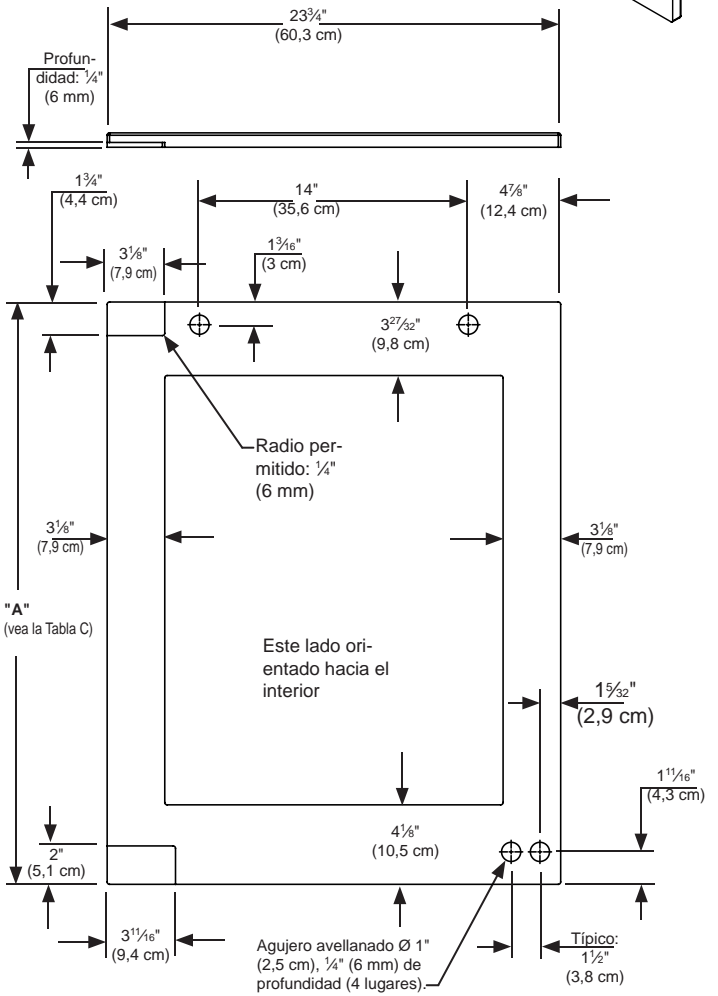


Figura 21  
Puerta abisagrada a la derecha para artefacto de 24" (61 cm) de ancho.

## INSTALACIÓN DEL PANEL DE PUERTA DECORATIVO

### Paso 4: monte el panel en la puerta.

El método preferido para fijar el panel a la puerta es sujetarlo con pinzas para que no pueda moverse al perforar los agujeros para guía de los tornillos. Utilice sargentos de carpintero o pinzas tipo "C" con almohadillas en las superficies de sujeción para no arruinar el panel ni la puerta. El panel decorativo cortado a la medida debe estar nivelado a tope con la parte superior de la puerta y centrado a ambos lados de la puerta (vea la Figura 13a). Perfore 10 agujeros a través del canal de la junta y use los agujeros como guía. Utilice una broca de la medida indicada en la Tabla 'B' y tenga cuidado de no perforar hasta la superficie delantera del panel. Si el espesor del panel decorativo es menor de  $\frac{5}{8}$ " (16 mm) deberá buscar tornillos más cortos. Fije el panel a la puerta con los 10 tornillos incluidos con los manuales del artefacto (vea la Figura 23a). Retire las pinzas y vuelva a instalar la junta en los canales de la puerta. Puede ser necesario aplicar algo de fuerza para asentar la junta en los canales. Verifique que las esquinas de la junta estén asentadas correctamente.

Tipo de material	Tornillo para madera n.º 10
Madera dura	Agujero de guía $\varnothing \frac{1}{8}$ " (3,2 mm)
Madera blanda	Agujero de guía $\varnothing \frac{7}{64}$ " (2,8 mm)

Tabla B

MODELO	DESCRIPCIÓN DE LA PUERTA	DIMENSIÓN "A"
ML15RAP*RP	Maciza, derecha	30 $\frac{11}{32}$ " (77,1 cm)
ML15RAP*LP	Maciza, izquierda	
ML15BCF*RP	Vidrio, derecha	
ML15BCF*LP	Vidrio, izquierda	
ML15BCP*RP	Maciza, derecha	
ML15BCP*LP	Maciza, izquierda	
ML24RAP*RP	Maciza, derecha	
ML24RAP*LP	Maciza, izquierda	
ML24BCF*RP	Vidrio, derecha	
ML24BCF*LP	Vidrio, izquierda	
ML24BCP*RP	Maciza, derecha	
ML24BCP*LP	Maciza, izquierda	
ML24BRF*RP	Vidrio, derecha	
ML24BRF*LP	Vidrio, izquierda	
ML24BRP*RP	Maciza, derecha	
ML24BRP*LP	Maciza, izquierda	
ML24WBF*RP	Vidrio, derecha	
ML24WBF*LP	Vidrio, izquierda	
ML24WBP*RP	Maciza, derecha	
ML24WBP*LP	Maciza, izquierda	
MA24BRF*RP	Vidrio, derecha con cerradura	27 $\frac{23}{32}$ " (70,4 cm)
MA24BRF*LP	Vidrio, izquierda con cerradura	
MA24RAP*RP	Maciza, derecha con cerradura	
MA24RAP*LP	Maciza, izquierda	

Tabla C

# INSTALACIÓN DEL PANEL DE PUERTA DECORATIVO

## Paso 5:

La cerradura se entrega con dos (2) extensiones. Utilice la más larga para paneles decorativos de  $\frac{3}{4}$ " de espesor y la más corta para paneles decorativos de  $\frac{5}{8}$ " de espesor. Monte la extensión de la cerradura, la arandela de tope de la leva, la arandela de presión y el tornillo prisionero en la cerradura, como se ilustra en las Figura 22 y Figura 24.

Instale esta conjunto en el agujero para la cerradura del panel decorativo y asegúrelo con la tuerca de retención en la parte posterior con una llave de tubo de 15 mm y una manija con trinquete. Verifique que la ranura de la llave en el frente de la cerradura esté en posición vertical.

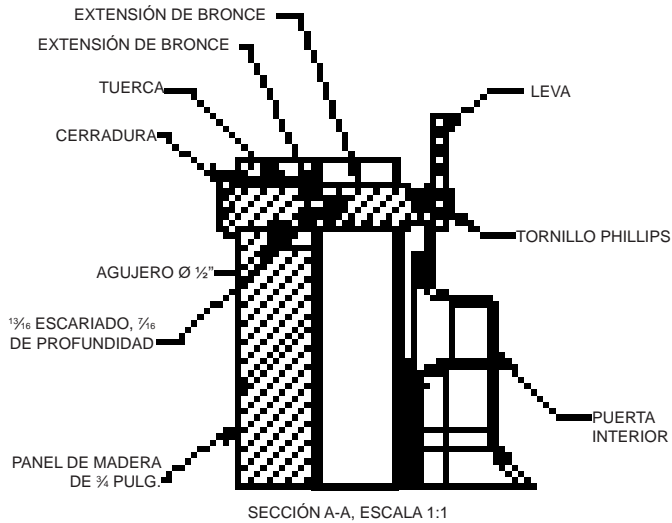


Figura 22

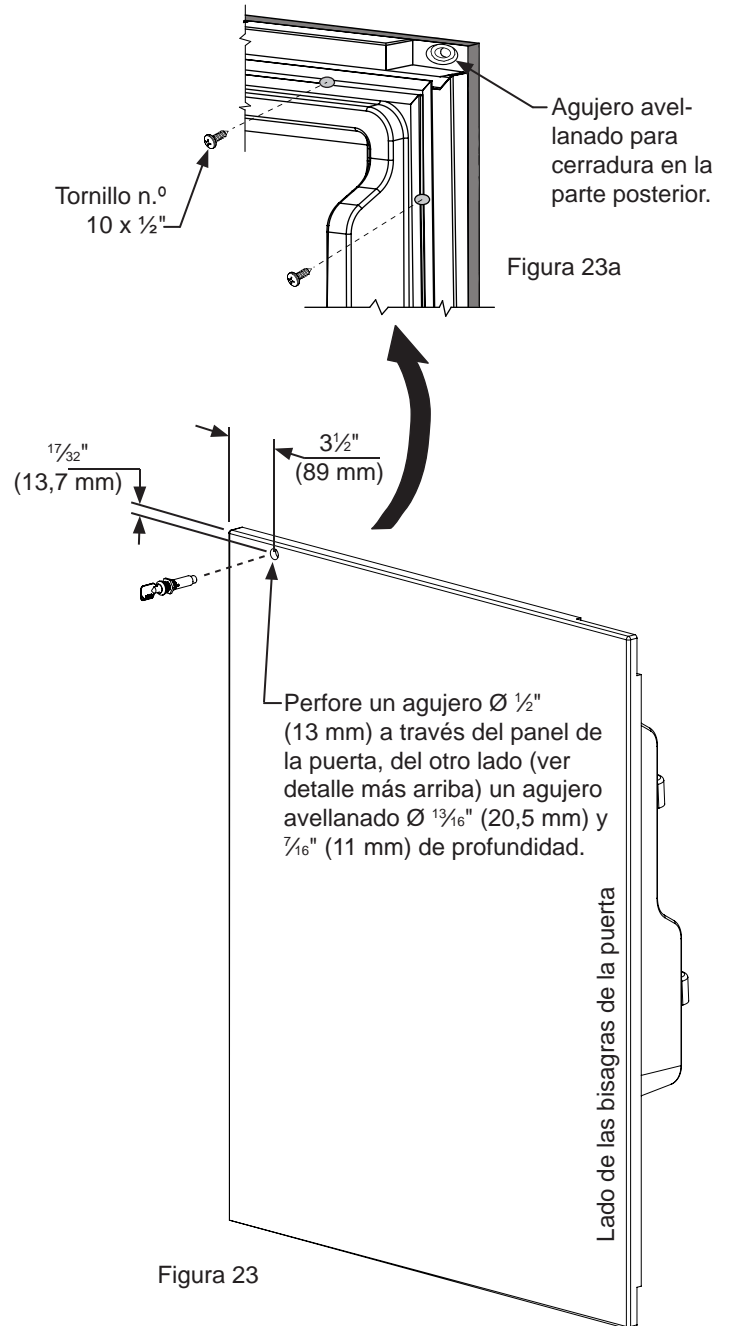


Figura 23

## Paso 6: instale la leva de bloqueo.

Asegure la leva de bloqueo en la parte posterior de la cerradura con el tornillo de cabeza Phillips suministrado. Oriente la leva de bloqueo en posición vertical cuando se instala en la cerradura.



# INSTALACIÓN DEL PANEL DE PUERTA DECORATIVO

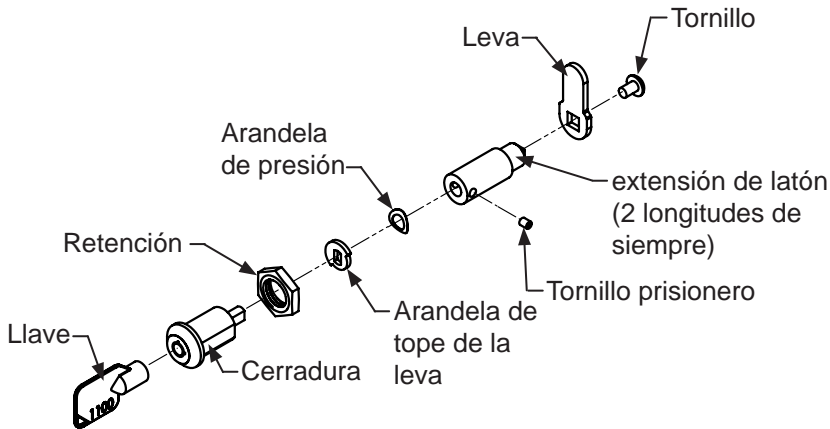


Figura 24

## Paso 7: instale la puerta.

Abra con cuidado las bisagras superior e inferior de la puerta pues hay muchos puntos que pueden pellizcarle la mano. Coloque las bisagras en los 4 tornillos del gabinete, 2 en la parte superior y 2 en la parte inferior y deslice la puerta en su posición. Apriete los 4 tornillos de la bisagra con un destornillador Phillips (vea las Figura 11 y Figura 11a). Monte el mazo de cables desde la rejilla hasta la parte inferior de la puerta y asegúrelo con el tornillo y la abrazadera "P" desmontados en el paso 1 (vea la Figura 11b). Vuelva a conectar el mazo de cables, (vea la Figura 12).

## Paso 8: asegure el gabinete.

Utilice los tornillos n.º 8 x ¾" incluidos con los manuales para asegurar la encimera a la parte superior del gabinete a través de los agujeros del soporte "Z" del gabinete.

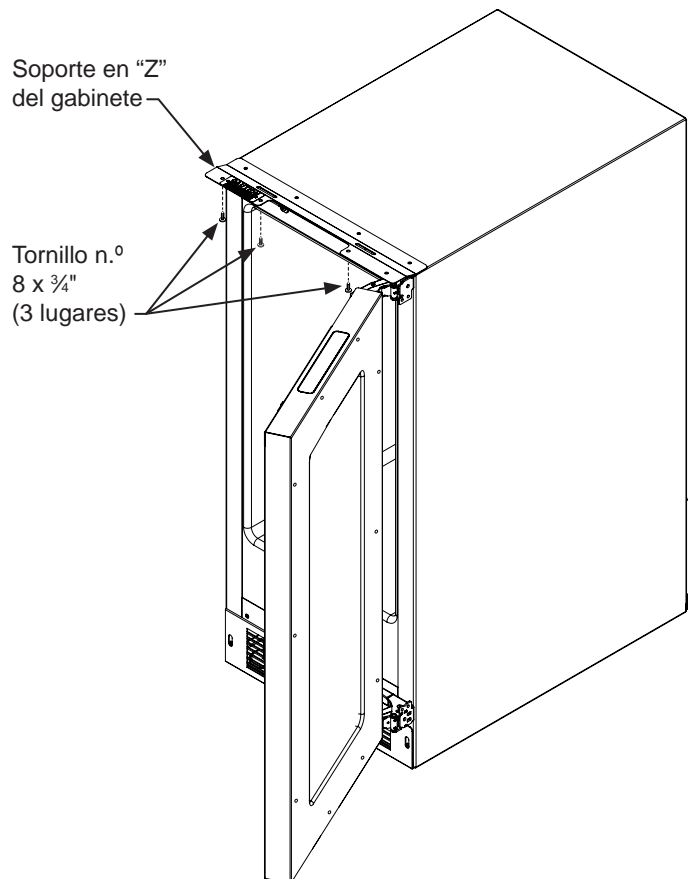


Figura 25

# CONFIGURACIONES DE ESTANTES

## Consejos y sugerencias para cargar el refrigerador

Su artefacto está equipado con un sistema de estantes en voladizo que ofrece muchas posibilidades de ajuste y se adapta a distintas disposiciones de estantes, enumeradas a continuación.

### Centro de bebidas:

#### Modelos de 15" (38,1 cm) de ancho:

Ilustrado con una puerta de vidrio (vea la Figura 26).

(2) estantes en voladizo con marco y vidrio plano (vea la Figura 35).

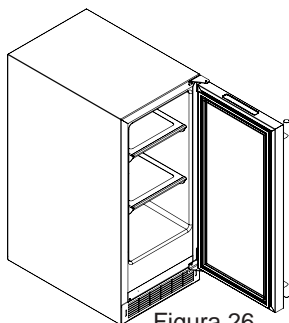


Figura 26

### Centro de bebidas:

#### Modelos de 24" (61 cm) de ancho:

Ilustrado con una puerta de vidrio (vea la Figura 27).

(2) estante en voladizo con vidrio plano y cortes para vinos (vea la Figura 36).

(1) estante para 4 botellas de vino, medio ancho, deslizante sobre rodillos.

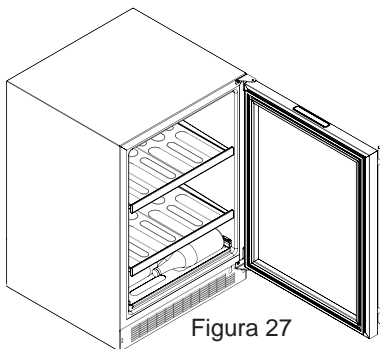


Figura 27

### Dos zonas : Vino / Centro de bebidas:

#### Modelos de 24" (61 cm) de ancho:

Ilustrado con una puerta de vidrio (vea la Figura 28).

#### Zona superior:

(2) pull-out de alambre estante del vino. (vea la Figura 37).

#### Zona inferior:

(1) estante en voladizo con vidrio plano y cortes para vinos (vea la Figura 36).

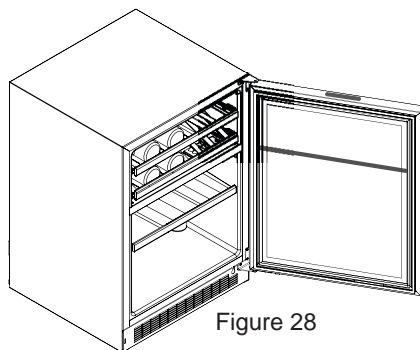


Figure 28

### Refrigerador de bebidas:

#### Modelos de 24" (61 cm) de ancho:

Ilustrado con una puerta de vidrio (vea la Figura 29).

(1) estante en voladizo con vidrio plano, medio ancho (vea la Figura 34).

(1) estante en voladizo con vidrio plano y cortes para vinos (vea la Figura 36).

(1) cubierta para alimentos frescos compuesta por marco y vidrio plano. (1) bandeja para alimentos frescos deslizante sobre rodillos

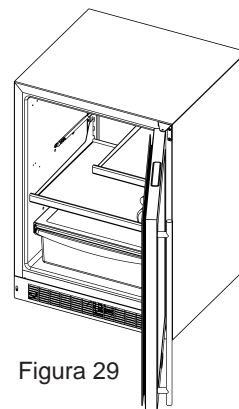


Figura 29

### Refrigerador:

#### Modelos de 15" (38,1 cm) de ancho:

Ilustrado con una puerta maciza (vea la Figura 30).

(2) estantes en voladizo con marco y vidrio plano (vea la Figura 35).

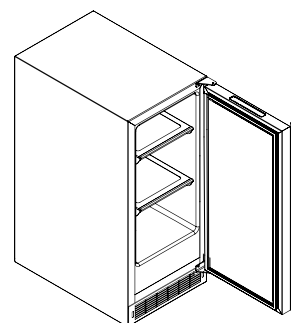


Figura 30

### Refrigerador:

#### Modelos de 24" (61 cm) de ancho:

Ilustrado con una puerta maciza (vea la Figura 31).

(2) estantes en voladizo de chapa metálica perforada (vea la Figura 33).

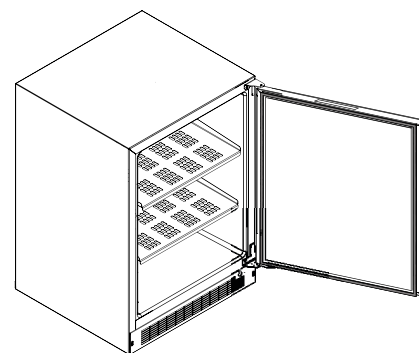


Figura 31

## NOTA

Zona superior están diseñadas exclusivamente para el almacenamiento de vino. Zona superior no pueden alcanzar las temperaturas adecuadas para el almacenamiento de alimentos frescos.

# CONFIGURACIONES DE ESTANTES

## Refrigerador:

### Modelos de 24" (61 cm) de ancho:

Ilustrado con una puerta maciza con gavetas en la puerta (vea la Figura 32).

(1) estante en voladizo con vidrio plano, medio ancho (vea la Figura 35).

(1) estante en voladizo con marco y vidrio plano derretido.

(1) cubierta para alimentos frescos compuesta por marco y vidrio plano.  
(1) bandeja para alimentos frescos deslizable sobre rodillos.

(1) gaveta de almacenamiento a todo lo ancho de la puerta.

(1) gaveta de almacenamiento de medio ancho de puerta.

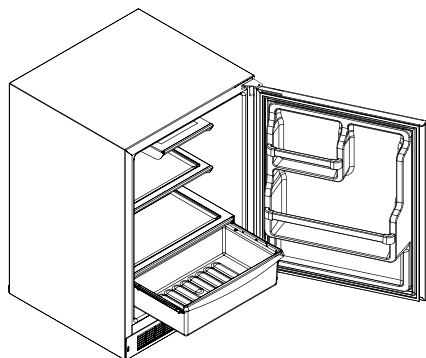


Figura 32

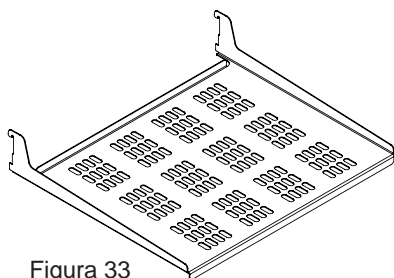


Figura 33

Estante de chapa metálica perforada

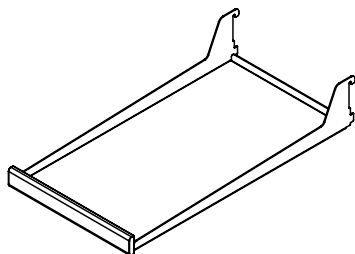


Figura 34

Estante con marco y vidrio plano.

La ilustración muestra un estante de medio ancho.

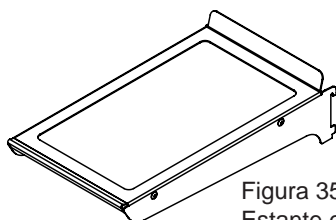
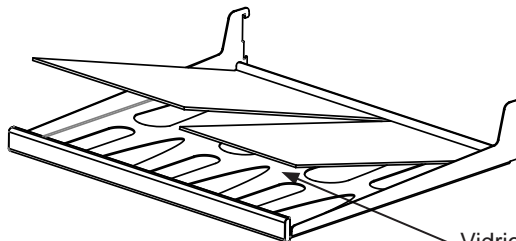


Figura 35

Estante con marco y vidrio plano. La ilustración muestra un estante de medio ancho.



Vidrio con estante para vinos por debajo.

Figura 36

Estante con cortes para vinos y vidrio plano con estera amortiguadora de vibraciones; todo o parte del vidrio se puede desmontar para aumentar o reducir las áreas de almacenamiento de vinos y bebidas.

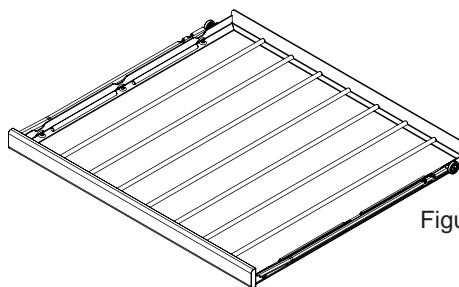
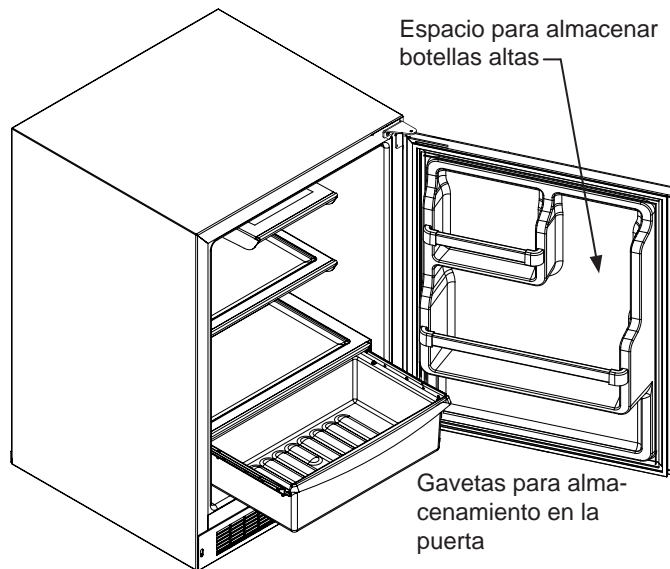


Figura 37



Espacio para almacenar botellas altas

Gavetas para almacenamiento en la puerta

Figura 38

**Para desmontar la bandeja para alimentos frescos, proceda como se indica a continuación:**  
Tire de la bandeja hasta el tope. Levante la parte delantera de la bandeja, y retírela del marco.

## CONFIGURACIONES DE ESTANTES



### PRECAUCION

Antes de cargar el estante en voladizo presiónelo hacia abajo para verificar que está bien asegurado en los soportes.

### Para agregar o desmontar un estante, proceda como se indica a continuación

Retire los productos almacenados del estante. No trate de desmontar del artefacto un estante cargado. Sujete el estante por la parte delantera con ambas manos, gire el frente hacia arriba y retire el estante (vea la Figura 39b). Para instalar un estante, inserte los ganchos del estante en las ranuras de los soportes del estante y bájelo de manera que los ganchos encajen en la parte inferior de las ranuras.

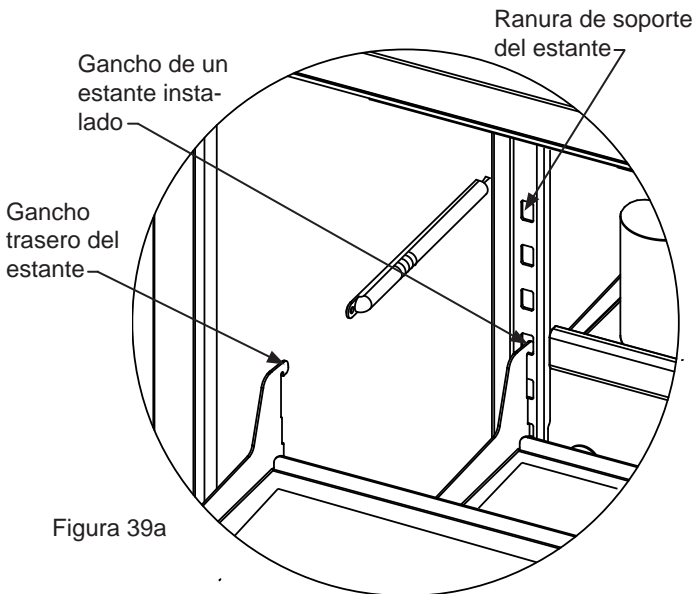


Figura 39a

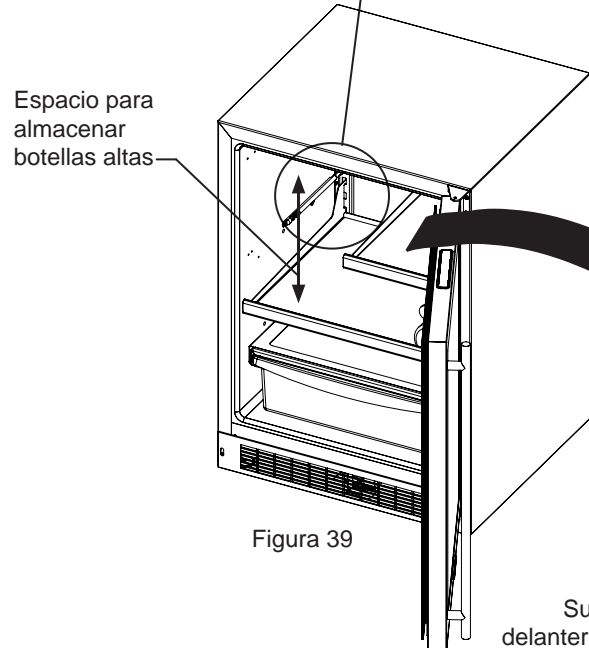


Figura 39

Sujete el estante por la parte delantera con ambas manos y gire el frente del estante hacia arriba. Luego levante el estante hacia arriba y retírelo de los soportes.

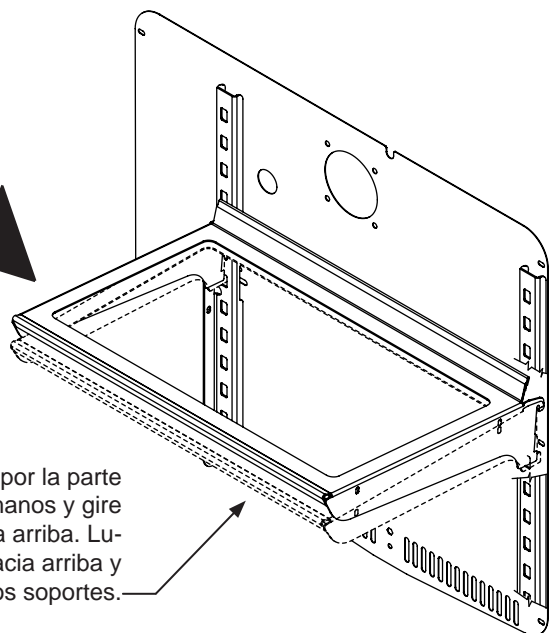


Figura 39b



### PRECAUCION

Nunca trate de mover un estante cargado, retire todos los productos del estante antes de moverlo. Use ambas manos para mover el estante.

# CUIDADOS Y LIMPIEZA - CONSEJOS PARA AHORRAR ENERGÍA

## Rejilla frontal

Verifique que nada obstruye el flujo de aire requerido en las aberturas delanteras del gabinete. Cepille o limpie con una aspiradora las pelusas y suciedad acumuladas en las aberturas de la rejilla al menos una o dos veces al año (vea la página 4).



**PELIGRO DE CHOQUE ELÉCTRICO:** Desconecte la alimentación eléctrica del artefacto antes de limpiarlo con agua y jabón.

## Gabinete

El gabinete pintado puede lavarse con agua jabonosa tibia y enjuagarse con agua limpia. NUNCA use limpiadores abrasivos.

## Interior

Lave el compartimiento interior con agua jabonosa tibia. NO utilice limpiadores abrasivos, disolventes, limpiadores pulidores ni detergentes puros.

## Cuidado del artefacto

1. Evite apoyarse en la puerta, podría doblar las bisagras de la puerta o inclinar el artefacto.
2. Tenga cuidado al barrer, pasar la aspiradora o fregar cerca del frente del artefacto pues podría dañar la rejilla.
3. Limpie periódicamente el interior de la unidad según sea necesario.
4. Revise o limpie periódicamente la rejilla delantera según sea necesario.

## Ante una falla en la alimentación eléctrica, proceda como se indica a continuación

Si se interrumpe la alimentación eléctrica, trate de corregirla lo antes posible. Reduzca al mínimo las aperturas de la puerta durante la interrupción del servicio eléctrico pues ello afecta negativamente la temperatura de la unidad.

## Reemplazo del equipo de iluminación interior

Todos los modelos utilizan lámparas LED para iluminar el interior del artefacto. Este componente es muy confiable, pero si una lámpara falla, comuníquese con un técnico de servicio calificado para que reemplace el LED.

## Las siguientes sugerencias reducirán al mínimo el costo de utilización de su artefacto de refrigeración.

1. No instale el artefacto cerca de un electrodoméstico que emita calor (cocina, lavavajillas, etc.), conductos de calefacción y otras fuentes de calor.
2. Instale el producto alejado de la luz solar directa.
3. Verifique que los orificios de ventilación de la rejilla delantera del artefacto ubicada bajo la puerta no estén obstruidos y manténgalos limpios para permitir la evacuación del calor que genera el sistema de refrigeración.
4. Conecte el artefacto a un circuito de alimentación exclusivo (no compartido con otros equipos).
5. La primera vez que cargue su nuevo artefacto, o cuando coloque grandes cantidades de productos calientes en el compartimiento de almacenamiento refrigerado, abra la puerta la menor cantidad de veces posible durante las siguientes 12 horas para permitir que el contenido alcance la temperatura programada.
6. Mantenga el compartimiento de almacenamiento relativamente lleno; el artefacto funcionará durante menos tiempo que con el compartimiento vacío.
7. Verifique que el cierre de la puerta no esté obstruido por los productos almacenados en el artefacto.
8. Si el producto que será almacenado está caliente, deje que alcance la temperatura ambiente antes de colocarlo en el artefacto.
9. Reduzca al mínimo la cantidad de veces que abre la puerta y el tiempo en que esta permanece abierta.
10. Utilice la temperatura de consigna más cálida que se adapte a sus preferencias personales y que ofrezca el almacenamiento más adecuado para sus productos.
11. Cuando esté de vacaciones o fuera de casa durante períodos prolongados, ajuste el artefacto a la temperatura más cálida aceptable por los productos almacenados.
12. Si la limpieza del artefacto requiere que la puerta permanezca abierta durante un período prolongado, ajuste el control a la posición de apagado "Off".
13. Para el almacenamiento de vino:  
Si no se necesita que la temperatura de los vinos sea la de servir, ajuste la temperatura de los compartimientos a la ideal (13° C / 55° F) para el almacenamiento prolongado de vino tinto y blanco.

# SOLICITUD DE SERVICIO TÉCNICO

## Si necesita asistencia técnica tenga en cuenta lo siguiente:

- Si aún no ha finalizado el primer año del período de garantía del producto, comuníquese con su distribuidor o llame al servicio de atención al cliente de AGA MARVEL al teléfono 800.223.3900 para solicitar instrucciones sobre cómo obtener cobertura por garantía en su localidad.
- Si el período de garantía de un año ha caducado, el servicio de atención al cliente de AGA MARVEL puede recomendarle un centro de servicios técnicos cercano a su domicilio. También puede encontrar la lista de los centros de servicio técnico autorizados en la sección Servicio y asistencia técnica (Service and support) en la página de Internet [www.agamarvel.com](http://www.agamarvel.com).
- En toda correspondencia referida a asistencia técnica, no olvide incluir el número de servicio, el número de serie y la prueba de compra de la unidad.
- Trate de obtener toda la información posible o la descripción del problema, cuánto tiempo ha estado en funcionamiento el artefacto, la temperatura de la habitación y cualquier otra información adicional que pueda ser de utilidad para resolver rápidamente el problema.
- La Tabla 'D' se suministra para registrar la información correspondiente a su producto para consultas futuras.

Para su registro	
Fecha de la compra	
Nombre del distribuidor	
Dirección del distribuidor	
Ciudad	
Estado	
Código postal	
Número de serie del artefacto	
Número de servicio del artefacto	
Fecha en la que envió la tarjeta de la garantía (debe ser dentro de los 10 días de la compra).	

Tabla D

# LOCALIZACIÓN DE FALLAS

## Antes de llamar al servicio técnico siga estos consejos

Si el artefacto parece estar funcionando mal, lea primero este manual. Si el problema persiste, vea la guía de localización de fallas incluida a continuación. Antes de llamar al servicio técnico, localice el problema en la guía y consulte su causa y su solución. Tal vez el problema sea algo muy simple que puede resolverse sin llamar al servicio técnico. Sin embargo, puede ser necesario ponerse en contacto con su distribuidor o con un técnico de servicio calificado.



## ADVERTENCIA

### Peligro de electrocución

- Nunca intente reparar o realizar tareas de mantenimiento en el artefacto sin haberlo previamente desconectado de la alimentación eléctrica. Apagar el artefacto desde el control no desconecta la corriente eléctrica de los cables del artefacto.
- Vuelva a colocar todas las piezas y paneles antes de poner en funcionamiento.



## PRECAUCION

En el caso improbable que usted pierda enfriamiento en su unidad, **no desenchufe la unidad fuera del suministro eléctrico**, y llame inmediatamente un técnico de servicio calificado. Es posible que la pérdida de capacidad de enfriamiento sea el resultado de una acumulación excesiva de escarcha en el serpentín de enfriamiento del evaporador. En este caso, retirar la energía que va hacia la unidad resultará en el derretimiento de esta cantidad excesiva de hielo, lo cual podría generar que el agua derretida exceda la capacidad del sistema colector de agua descongelada y podría resultar en daño por agua de su casa. El usuario final será el responsable final de cualquier daño por agua causado por apagar prematuramente la unidad sin manejar apropiadamente el exceso de agua de rebose.

Problema	Causa posible	Solución
El artefacto no enfría lo suficiente (vea "Ajuste de la temperatura" en la página 8).	<ul style="list-style-type: none"> <li>• El control está ajustado a una temperatura muy alta.</li> <li>• La temperatura del contenido no se ha estabilizado.</li> <li>• Uso excesivo o aperturas prolongadas de la puerta.</li> <li>• Obstrucción del flujo de aire en la rejilla delantera.</li> <li>• La junta de la puerta no sella correctamente.</li> </ul>	<ul style="list-style-type: none"> <li>• Ajuste a una temperatura más fría. Espere 24 horas hasta que la temperatura se estabilice.</li> <li>• Deje que la temperatura se estabilice por al menos 24 horas.</li> <li>• El flujo de aire por la rejilla delantera no debe estar obstruido. Vea "Espacios libres" en la página 4.</li> <li>• Reemplace la junta de la puerta.</li> </ul>
El artefacto enfría demasiado (vea "Ajuste de la temperatura" en la página 8).	<ul style="list-style-type: none"> <li>• El control está ajustado a una temperatura muy baja.</li> <li>• La junta de la puerta no sella correctamente.</li> </ul>	<ul style="list-style-type: none"> <li>• Ajuste a una temperatura más cálida. Espere 24 horas hasta que la temperatura se estabilice.</li> <li>• Reemplace la junta de la puerta.</li> </ul>
La luz interior no funciona.	<ul style="list-style-type: none"> <li>• Falla en el dispositivo de iluminación LED o en el interruptor de la luz.</li> </ul>	<ul style="list-style-type: none"> <li>• Comuníquese con un técnico de servicio calificado.</li> </ul>
La luz no se apaga al cerrar la puerta.	<ul style="list-style-type: none"> <li>• La luz ha sido encendida desde el control (sólo modelos con puerta de vidrio).</li> <li>• La puerta no activa el interruptor de la luz.</li> <li>• Falla del interruptor de la luz.</li> </ul>	<ul style="list-style-type: none"> <li>• Apague la luz desde el control, cierre la puerta.</li> <li>• El artefacto está desnivelado; nivele el artefacto (vea "Patatas niveladoras" en la página 4).</li> <li>• Comuníquese con un técnico de servicio calificado.</li> </ul>
Ruido o vibración.	<ul style="list-style-type: none"> <li>• El artefacto está desnivelado.</li> <li>• El ventilador golpea contra una obstrucción en el conducto.</li> </ul>	<ul style="list-style-type: none"> <li>• Nivele el artefacto, vea "Patatas niveladoras" en la página 4.</li> <li>• Comuníquese con un técnico de servicio calificado.</li> </ul>
El artefacto no funciona.	<ul style="list-style-type: none"> <li>• El artefacto está apagado.</li> <li>• El cordón de alimentación no está enchufado.</li> <li>• No hay energía en la toma de corriente.</li> </ul>	<ul style="list-style-type: none"> <li>• Encienda el artefacto. Vea "Puesta en funcionamiento de su artefacto" en la página 8.</li> <li>• Enchufe el cordón de alimentación.</li> <li>• Revise el circuito de la casa.</li> </ul>



# GARANTÍA DE PRODUCTOS ELECTRODOMÉSTICOS

## Para el producto completo

### Un año de garantía limitada sobre piezas y mano de obra del producto completo

AGA MARVEL garantiza el suministro de todas las piezas y la mano de obra necesarias para reparar o reemplazar en el domicilio u oficina del usuario cualquier componente en el que se haya comprobado la presencia de defectos, sea por materiales o por mano de obra, de acuerdo a las condiciones y exclusiones establecidas más adelante, durante un período de un año a partir de la fecha de compra del usuario final.

### Garantía limitada adicional exclusivamente sobre piezas entre el segundo y quinto años

Durante los cuatro años siguientes a la finalización del período de garantía limitada de un año, AGA MARVEL garantiza el suministro de piezas de repuesto para el sistema de refrigeración sellado herméticamente, compuesto por compresor, condensador, secador, acumulador, válvula de derivación, tuberías de conexión y evaporador, en las que se compruebe la presencia de defectos de mano de obra o materiales, de acuerdo a las condiciones y exclusiones establecidas más adelante.

Las garantías anteriores no cubren lo siguiente:

- Costos de transporte de los repuestos o piezas defectuosas devueltas.
- Capacitación del cliente o instrucciones sobre el uso del artefacto.
- Cualquier pérdida del contenido debido a una falla del producto.
- Remoción o instalación del producto.

Ninguna de las garantías que se indican cubren las fallas de este producto o de sus componentes debido a:

- Transporte o daños subsiguientes.
- Uso comercial o usos distintos de aquellos normales para un equipo para uso en el hogar u oficina pequeña.
- Instalación inadecuada, uso indebido, abuso, accidente o alteración, conexión a una instalación eléctrica que no cumple con los códigos eléctricos, bajo o alto voltaje, fallas por falta del mantenimiento necesario o por otros usos distintos a aquel para el cual fue diseñado el artefacto.

## Piezas o servicios

### No provistos o designados por AGA MARVEL

Las garantías indicadas tampoco serán de aplicación si:

- No se pudiesen verificar la factura original de compra, la fecha de entrega o el número de serie de la unidad.
- Las piezas defectuosas no son devueltas para inspección si así fue solicitado por AGA MARVEL.
- El poseedor del equipo de refrigeración no es el comprador original del producto.

Las garantías establecidas de aquí en más son las únicas garantías extendidas por AGA MARVEL. Toda garantía implícita, incluso la garantía implícita de comerciabilidad, está limitada a la duración de estas garantías expresas. En ningún caso AGA MARVEL será responsable por cualesquiera daños emergentes o incidentales, ni por gastos por incumplimiento de estas o cualesquiera otras garantías, sean expresas o implícitas.

Algunos estados (dentro de los Estados Unidos de América) no permiten la exclusión o limitación de daños emergentes o una limitación en el tiempo de validez de una garantía implícita, por lo que la exclusión o limitación anterior podría no ser aplicable para usted. Esta garantía le brinda derechos legales específicos y usted podría tener otros derechos que pueden variar de un estado a otro (dentro de los Estados Unidos de América).

Ninguna persona, firma o corporación está autorizada a ofrecer cualquier otra garantía o asumir cualquier otra obligación en nombre de AGA MARVEL. Estas garantías se aplican únicamente a productos utilizados en cualesquier de los cincuenta estados de los Estados Unidos de Norteamérica y en el Distrito de Columbia.

Para obtener el servicio amparado por esta garantía, informe de cualquier defecto a:

### **AGA MARVEL**

1260 E. VanDeinse St.  
Greenville MI 48838

Phone: 800.223.3900



[www.agamarvel.com](http://www.agamarvel.com)

**AGA MARVEL**

1260 E. Van Deirse St.  
Greenville MI 48838

800.223.3900

41013316-SP Rev R  
3/23/18

Todas las especificaciones y diseños del producto están sujetos a cambios sin aviso previo. Las revisiones del producto no le otorgan al comprador el derecho a cambios, mejoras, accesorios adicionales, reemplazos o compensaciones por los productos previamente comprados.