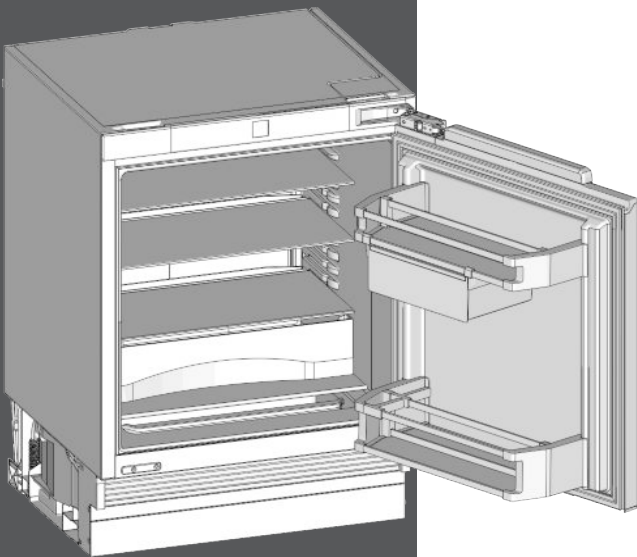


# LIEBHERR

## Use and Care Manual

Under-worktop refrigerator for  
integrated use, door-on-door



UR 500  
160318 7086650 - 00

# The appliance at a glance

## Contents

<b>1</b>	<b>The appliance at a glance.....</b>	<b>2</b>
1.1	Additional benefits.....	2
1.2	Overview of the appliance and accessories.....	2
1.3	Range of appliance use.....	3
1.4	Conformity.....	3
1.5	Product information.....	3
1.6	Energy saving.....	3
<b>2</b>	<b>General safety information.....</b>	<b>3</b>
<b>3</b>	<b>Controls and displays.....</b>	<b>5</b>
3.1	Operating and control elements.....	5
3.2	Temperature display.....	5
<b>4</b>	<b>Start-up.....</b>	<b>5</b>
4.1	Switch on the device.....	5
<b>5</b>	<b>Operation.....</b>	<b>5</b>
5.1	Temperature display unit.....	5
5.2	Child-proof lock.....	5
5.3	Door alarm.....	6
5.4	Sabbath Mode.....	6
5.5	Fridge compartment.....	6
<b>6</b>	<b>Maintenance.....</b>	<b>8</b>
6.1	Thawing.....	8
6.2	Cleaning the appliance.....	8
6.3	Customer service.....	8
<b>7</b>	<b>Troubleshooting.....</b>	<b>9</b>
<b>8</b>	<b>Putting appliance out of service.....</b>	<b>11</b>
8.1	Vacation Tips.....	11
8.2	Switching the device off.....	11
8.3	Decommissioning .....	11
<b>9</b>	<b>Disposing of the appliance.....</b>	<b>11</b>
<b>10</b>	<b>Liebherr Warranty Plan.....</b>	<b>12</b>

Congratulations on the purchase of your new appliance. With this purchase, you have chosen all the advantages of the latest refrigeration technology, guaranteeing you a high-quality appliance with a long life span and high operating safety.

The equipment of your appliance gives you the highest level of day-to-day ease of operation.

Together we are making an active contribution to the conservation of our environment by purchasing this appliance which is manufactured in an environmentally friendly process with the use of recyclable materials.

We hope you enjoy your new appliance.

The manufacturer is constantly working to improve all models. Therefore please understand that we reserve the right to make design, equipment and technical modifications.

To get to know all the benefits of your new appliance, please read the information contained in these instructions carefully.

The instructions apply to several models, so there may be differences. Sections which only apply to certain appliances are indicated with an asterisk (\*).

**Instructions for action are marked with a ►, the results of action are marked with a ▷.**

## 1 The appliance at a glance

### 1.1 Additional benefits

- Temperature can be controlled in the appliance independent of ambient conditions according to its climate rating - Temperature can be displayed as °C or °F
- The appliance defrosts automatically - no need to spend time defrosting
- Large refrigeration capacity
- Safety glass storage shelves
- Adjustable door shelves for tall bottles
- Shelves can be removed to make space for large items.
- Door-on-door system for easy kitchen cabinet installation
- Soft stop mechanisms
- This appliance has a Sabbath Mode function, which makes it possible to use the appliance on religious holidays. Further information can be found on the Star-K website [www.star-k.org](http://www.star-k.org).

### 1.2 Overview of the appliance and accessories

#### Note

- Arrange food as shown in the picture. This arrangement allows the appliance to work more efficiently, thus saving energy.
- Shelves, drawers, and baskets are arranged for optimal energy efficiency in the factory configuration.

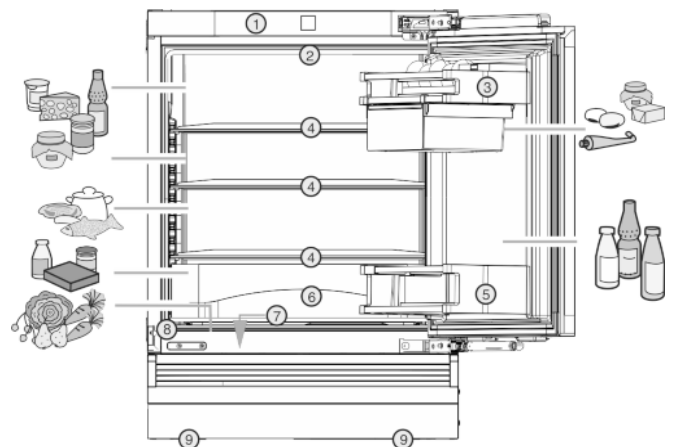


Fig. 1

- |                             |                  |
|-----------------------------|------------------|
| (1) Control panel           | (6) Schubfach    |
| (2) LED-Innenbeleuchtung    | (7) Gemüseschale |
| (3) Butter and cheese shelf | (8) Rating plate |

- (4) Abstellfläche, versetzbar  
(5) Flaschenabsteller
- (9) Stellfüße vorne und hinten

60335-1-11, 60335-2-24-06 and UL 60335-1, UL 60335-2-24.

## 1.3 Range of appliance use

### Normal use

The appliance is only suitable for cooling food for residential or other similar environments. This includes the following types of uses

- in staff kitchens, bed and breakfasts,
- by guests in country homes, hotels, motels and other types of accommodations,
- for catering and similar wholesale services.

The appliance is suitable for integrated under worktop use

All other types of uses are not permitted.

### Foreseeable misuse

The following uses are specifically prohibited:

- Storage and cooling of medication, blood plasma, laboratory preparations or similar substances and products in accordance with the CMDCAS and FDA 510(k)
- Use outdoors.
- Use in moist areas exposed to the rain.
- Use in areas at risk of explosion

Incorrect appliance use can cause damage to the stored products or cause them to spoil.

### Climate ratings

The appliance is set to operate within specific ambient temperature limits according to its climate rating. The climate rating for your appliance is printed on the rating plate

### Note

- To guarantee trouble-free operation, comply with the indicated ambient temperatures.

Climate rating	for ambient temperatures from
SN	50 °F (10 °C) to 90 °F (32 °C)
N	61 °F (16 °C) to 90 °F (32 °C)
ST	61 °F (16 °C) to 101 °F (38 °C)
T	61 °F (16 °C) to 110 °F (43 °C)

## 1.4 Conformity

The refrigerant circuit has been tested for leaks. When installed, the appliance complies with the relevant safety regulations and the safety standards CAN/CSA-C22.2 No.

## 1.5 Product information

Product information is enclosed with the device in accordance with (EU) Ordinance 2017/1369. The complete product information sheet is available on the Liebherr website in the download area.

## 1.6 Energy saving

- Always ensure good ventilation. Do not obstruct ventilation openings or grilles.
- Do not install the appliance in direct sunlight or next to an oven, heater, or similar heat source.
- Energy consumption depends on installation conditions such as the ambient temperature (see 1.3). If the ambient temperature differs from the standard temperature of 25 °C, energy consumption can change.
- Avoid opening the appliance door for any longer than necessary
- The lower the temperature is set the higher the energy consumption.
- Store food logically (see The appliance at a glance).
- All food stored in the appliance should be well wrapped and covered. This prevents frost buildup.
- Insertion of warm foods: first let the food cool down to room temperature.

## 2 General safety information

Read and follow these instructions. They contain safety advice which is important for safe and problem-free installation and operation. Always read and follow the safety advice.

### Dangers for the user:

- This appliance can be operated by children as well as by persons with reduced physical, sensory or mental capabilities or lack of experience and knowledge if they are supervised or have been instructed in the safe use of the appliance and understand the associated risks. Children must not play with the appliance. Cleaning and user maintenance must not be performed by children unless they are supervised. Children between the ages of 3 and 8 may load and unload the appliance. Children under the age of 3 must be kept away from the appliance if they are not constantly supervised.
- When disconnecting the appliance from the outlet, always take hold of the plug. Do not pull on the cable.

## General safety information

- Disconnect the power plug or switch off the power if a fault occurs.
- Do not damage the mains power line. Do not operate the appliance from a defective mains power line.
- Repairs, work on the appliance and replacement of the mains cable should only be carried out by the customer service department or other specifically trained specialist engineers.
- Only install, connect and dispose of the appliance in accordance with the instructions.
- Only operate the appliance after it has been installed.
- Please keep the instructions and pass them on to any future owner.
- Special-purpose lamps inside the appliance are intended to illuminate its interior compartments and are unsuitable for room illumination.

### Risk of fire:

- The refrigerant contained within the appliance, R 600a, is environmentally friendly, but flammable. Leaking refrigerant can ignite.
  - Do not damage the pipes of the refrigerant circuit.
  - Do not handle naked flames or ignition sources inside the appliance.
  - Do not use electrical devices inside the appliance (e.g. steam cleaners, heaters, ice cream makers, etc.).
  - If refrigerant leaks: Remove naked flames or ignition sources located near the area of the leak. Air the room well. Contact the customer service department.
- Do not operate the appliance near explosive gases.
- Do not store or use gasoline or other flammable vapors and liquids in the vicinity of this appliance.
- Do not store explosive materials or spray cans with flammable propellants, such as e.g. butane, propane, pentane, etc. in the appliance. You can recognize such spray cans by the printed contents or a flame symbol. Any leaking gasses can be ignited by electrical components.
- Alcoholic beverages or other containers holding alcohol must always be tightly sealed for storage purposes. Any leaking alcohol can be ignited by electrical components

### Tipover hazard:

- Do not stand or climb on the base, drawers, doors, etc. This applies in particular to children.

### Risk of food poisoning:

- Do not consume food that has passed its best before date.

### Danger of frostbite, feelings of numbness and pain:

- Avoid continued skin contact with the cold surfaces or chilled/frozen food or adopt protective measures, e. g. use gloves. Do not consume ice cream (especially sherbets) and ice cubes immediately when they are too cold.

### Risk of injury and damage:

- Hot steam may lead to injuries. Do not use any electrical heating or steam cleaning equipment, naked flames or defrosting sprays for defrosting
- Do not remove ice with sharp objects

### Risk of crushing:

- Do not hold onto the hinge when opening and closing the door. Fingers may get caught.

### California Proposition 65

- This product contains chemicals known to the state of California to cause cancer or reproductive harm.
- This product can expose you to chemicals including Diisononyl Phthalate (DINP) which is known to the State of California to cause cancer. For more information go to [www.P65Warnings.ca.gov](http://www.P65Warnings.ca.gov).
- This product can expose you to chemicals including Di-isodecyl Phthalate (DIDP) which is known to the State of California to cause birth defects or other reproductive harm. For more information go to [www.P65Warnings.ca.gov](http://www.P65Warnings.ca.gov).

### Symbols on the device:





The symbol can be on the compressor. It refers to the oil in the compressor and refers to the following danger: Can be lethal if swallowed or inhaled. This notice only applies for recycling. There is no danger during normal operation.

### Follow the specific instructions in the other sections:



DANGER

indicates a hazardous situation, which if not avoided, will result in death or serious injury.

	WARNING	indicates a hazardous situation, which if not avoided, could result in death or serious injury.
	CAUTION	indicates a hazardous situation, which if not avoided, will result in minor or moderate injury.
	NOTICE	indicates a hazardous situation, which if not avoided, could result in damage to property.
	Note	indicates useful advice and tips.

## 3 Controls and displays

### 3.1 Operating and control elements

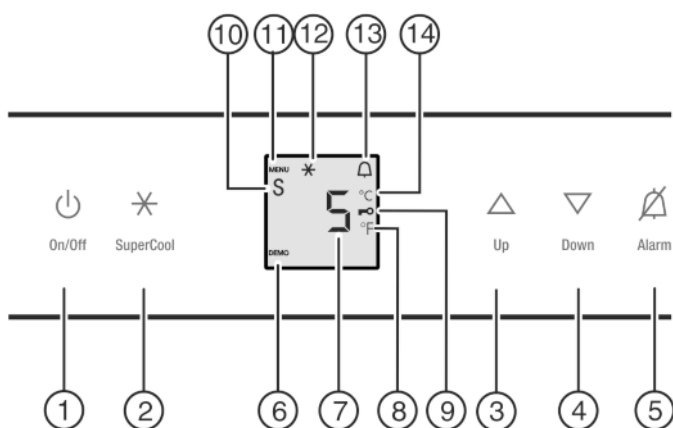


Fig. 2

- |                         |                          |
|-------------------------|--------------------------|
| (1) On/Off button       | (8) Fahrenheit symbol    |
| (2) SuperCool button    | (9) Child safety symbol  |
| (3) Up button           | (10) Sabbath mode symbol |
| (4) Down button         | (11) Menu symbol         |
| (5) Alarm button        | (12) SuperCool symbol    |
| (6) DEMO symbol         | (13) Alarm symbol        |
| (7) Temperature display | (14) Celsius symbol      |

### 3.2 Temperature display

The following is displayed in normal operation:

- the average cooling temperature

The temperature display flashes:

- the temperature setting has been changed
- F0 to F9

## 4 Start-up

### 4.1 Switch on the device

- ▶ Open the door.
- ▶ Press the On/Off button Fig. 2 (1).
- ▷ The temperature display lights up. The appliance is switched on.



- ▷ If "DEMO" appears on the display, 'demonstration mode' is activated. Contact Customer Service.

## 5 Operation

### 5.1 Temperature display unit

The temperature display can be changed from °F to °C.

#### 5.1.1 To change the unit

- ▶ To activate setting mode: Press and hold the SuperCool button Fig. 2 (2) for approx. 5 s.
- ▷ The Menu symbol Fig. 2 (11) lights up.
- ▷ 5 is displayed in the temperature display.
- ▶ Using Up button Fig. 2 (3) / Down button Fig. 2 (4) select °.
- ▶ To confirm: Briefly press the SuperCool button Fig. 2 (2).
- ▶ Using Up button Fig. 2 (3) / Down button Fig. 2 (4) select °F or °C.
- ▶ To confirm: Briefly press the SuperCool button Fig. 2 (2).
- ▶ To exit setting mode: Press On/Off button Fig. 2 (1).



-or-

- ▶ Wait 5 minutes.
- ▷ The temperature is again displayed in the temperature display.

### 5.2 Child-proof lock

You can use the child-proof lock to lock the buttons. This means that children cannot accidentally switch off the appliance when playing.



#### 5.2.1 Switching on the child proof lock

- ▶ Select setting mode: Press and hold the SuperCool button Fig. 2 (2) for approx. 5 seconds.
- ▷ 5 will appear on the display.
- ▷ The Menu symbol Fig. 2 (11) lights up.
- ▶ Using the Up Fig. 2 (3) or Down button Fig. 2 (4), select c.
- ▶ Press the SuperCool button Fig. 2 (2) briefly to confirm. When c1 is shown on the display:
- ▶ To switch on the child proof lock, press the SuperCool button Fig. 2 (2) briefly.



- ▷ The Child safety symbol Fig. 2 (9) lights up. c flashes on the display.
- When c0 is shown on the display:
- ▶ To switch the child proof lock off, press the SuperCool button Fig. 2 (2) briefly.
- ▷ The Child safety symbol Fig. 2 (9) goes out. c flashes on the display.

# Operation

▶ To deactivate setting mode: Press the On/Off button *Fig. 2 (1)*.

-or-

▶ Wait 5 min.

▷ The temperature is again displayed on the temperature display.

## 5.3 Door alarm

If the door is open for longer than 180 seconds, the acoustic warning sounds.

The acoustic warning stops automatically when the door is closed



## 5.4 Sabbath Mode

This function meets the religious requirements on the Sabbath and Jewish festivals. When the appliance is in Sabbath mode some control electronic functions are switched off. After setting Sabbath mode you no longer need to worry about indicator lights, figures, symbols, displays, alarm messages and fans. The thawing cycle only operates at the specified time without taking refrigerator use into account. After a power cut the appliance automatically switches on again in Sabbath mode.

You can find a list of Star-K-certified appliances at [www.star-k.org/appliances](http://www.star-k.org/appliances).



### WARNING

Danger of food poisoning!

No record will be kept of a power failure during Sabbath Mode. Thus, during Sabbath mode, if a power failure occurs that you are not aware of, when the power comes back on, the unit will continue to be in Sabbath Mode but when Sabbath Mode is ended there will be no indication that a power failure occurred.

If a power failure occurs during Sabbath mode:

▶ Check the quality of the food. Do not consume spoiled food!

- All functions are blocked until Sabbath mode is switched off.
- If the unit is currently running in a mode such as Superfrost, Supercool or the Ventilation is enabled these functions will continue and finish their timed cycles independent of now being in Sabbath mode.
- No audible signals are emitted, and the temperature display does not indicate any warnings or settings (such as a temperature alarm or door alarm).
- Light does not operate.

### 5.4.1 Setting Sabbath mode

▶ To activate setting mode: Press and hold the SuperCool button *Fig. 2 (2)* for approx. 5 s.

▷ 5 flashes on the display.

▷ The Menu symbol *Fig. 2 (11)* lights up.

▶ To access the Sabbath mode function: Briefly press the SuperCool button *Fig. 2 (2)*.

▷ 5 flashes on the display.

When 51 is shown on the display:

▶ To turn on Sabbath mode, briefly press the SuperCool button *Fig. 2 (2)*.

When 50 is shown on the display:

▶ To turn off Sabbath mode, briefly press the SuperCool button *Fig. 2 (2)*.



▶ To deactivate setting mode: Press the On/Off button *Fig. 2 (1)*.

-or-

▶ Wait 5 min.

▷ The Sabbath Mode symbol *Fig. 2 (10)* appears on the temperature display as long as Sabbath Mode is active.

▷ Sabbath mode switches off automatically after 120 hours if it is not manually switched off beforehand.

## 5.5 Fridge compartment

The natural circulation of air in the refrigerator compartment results in zones with differing temperatures. It is coldest directly above the vegetable drawers and at the rear wall. It is warmest at the top front of the compartment and in the door.

### 5.5.1 Refrigerating food

It is coldest directly above the vegetable drawers and at the rear wall. The warmest areas are located in the top front section and in the door.



### WARNING

Danger of fire

▶ Do not use electrical appliances inside the food storage compartments of the appliance, unless they are of the type recommended by the manufacturer.

▶ Use recyclable plastic, metal, aluminum and glass containers and cling film to wrap foods.

▶ Always use closed containers for liquids and for food that may give off or be tainted by odor or flavor transfer or cover them.

▶ Do not store food too close together to enable sufficient air circulation.

### 5.5.2 Setting the temperature

The temperature depends on the following factors:

- the number of times the door is opened
- the room temperature of the installation location
- the type, temperature and amount of food.

▶ To change the temperature in 1 °F (1 °C) increments: briefly press the button.

- ▶ To change the temperature continuously: hold the button down.
- ▷ The value is displayed flashing during the setting operation.
- ▷ The actual temperature is displayed about 5 seconds after the last press of a button. The temperature slowly adjusts to the new value.

## 5.5.3 SuperCool

With SuperCool you switch to the highest cooling performance to reach lower cooling temperatures. Use SuperCool to rapidly cool large quantities of food.



SuperCool will use more energy than normal operation.

### Cooling with SuperCool

- ▶ Briefly press the SuperCool button *Fig. 2 (2)*.
- ▷ The SuperCool symbol *Fig. 2 (12)* lights up in the display.
- ▷ The cooling temperature drops to the coldest value. SuperCool is switched on.
- ▷ SuperCool switches itself off automatically after 12 hours. The appliance continues to work in normal energy-saving mode.

### To prematurely switch off SuperCool

- ▶ Briefly press the SuperCool button *Fig. 2 (2)*.
- ▷ The SuperCool symbol *Fig. 2 (12)* goes out in the display.
- ▷ SuperCool is switched off.

## 5.5.4 Shelves

### Shifting or removing shelves



#### CAUTION

Danger of lacerations!  
The storage shelf can shatter if dropped or mishandled. You could cut yourself on the pieces of broken glass.

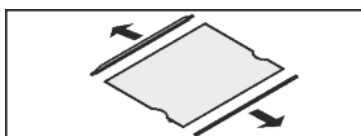
- ▶ Only remove storage shelves when there is nothing on them.

Extension stops secure the shelves against being accidentally pulled out

- ▶ Lift the shelf and pull it out towards you.

### To dismantle shelves

- ▶ The shelves can be dismantled for cleaning.



## 5.5.5 Door racks

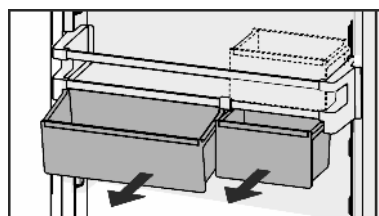


Fig. 3

It is possible to use one or both boxes. If unusually tall bottles are to be stored, only suspend one box above the bottle rack.

### To dismantle door racks

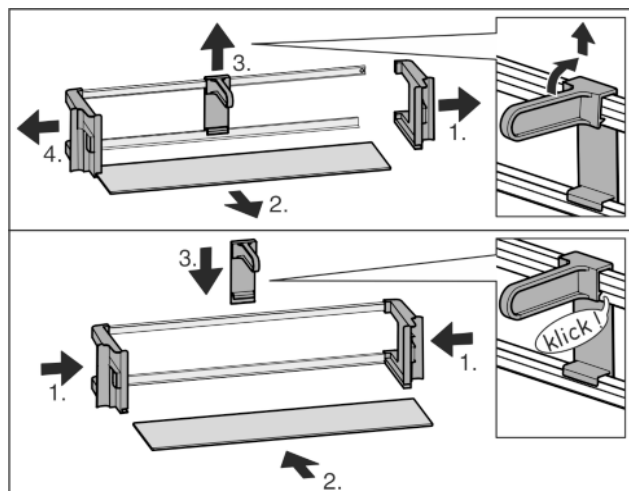


Fig. 4

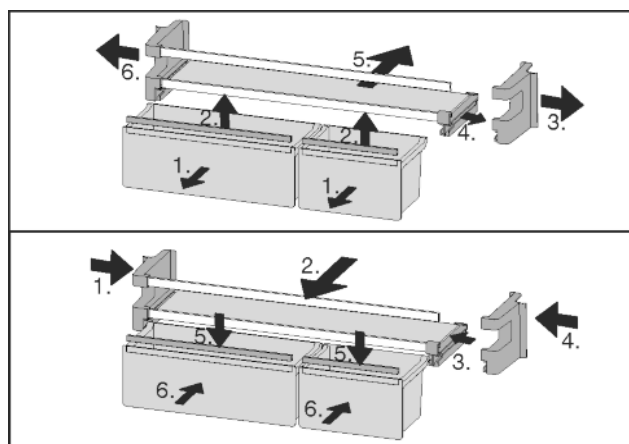


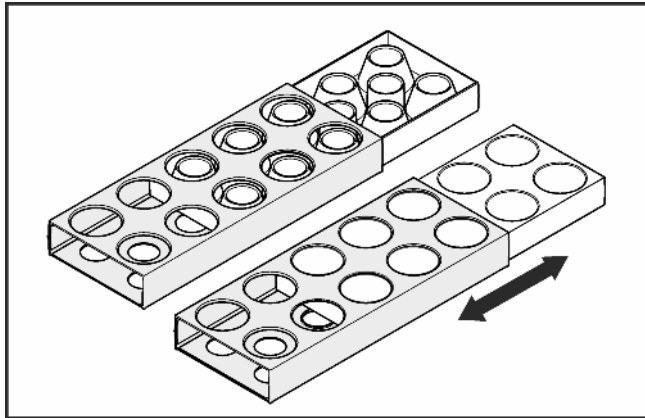
Fig. 5

- ▶ The door racks can be dismantled for cleaning.

## 5.5.6 Egg tray

You can take out and rotate the egg tray. You can use the two parts of the egg tray to mark different use-by dates, for example.

# Maintenance



- ▶ Use the top part to store e.g. chickens' eggs.
- ▶ Use the bottom part to store quails' eggs.

## 5.5.7 Drawers

- ▶ To store food to be refrigerated directly on the shelves: pull the drawer forward and lift it out.

# 6 Maintenance

## 6.1 Thawing

### 6.1.1 Defrosting the refrigerator



#### WARNING

Risk of injury and damage

- ▶ Do not use mechanical devices or other means to accelerate the defrosting process, other than those recommended by the manufacturer.
- ▶ Do not use any electrical heating or steam cleaning equipment, naked flames or defrosting sprays for defrosting.
- ▶ Do not remove ice with sharp objects.
- ▶ Do not damage the pipes of the refrigerant circuit.

The fridge compartment defrosts automatically. The defrosted water will evaporate. Drops of water on the back wall are a functional feature; this is completely normal.

- ▶ Clean the drain opening regularly so that the condensation water can drain away. (see 6.2)

## 6.2 Cleaning the appliance



#### WARNING

Danger of electric shock.

- ▶ Unplug refrigerator or disconnect power.



#### WARNING

Danger of fire

- ▶ Do not damage the refrigerant circuit.



#### WARNING

Risk of injury or damage due to hot steam.

Hot steam can cause scalding/burns and damage to surfaces.

- ▶ Do not use steam cleaners.

#### NOTICE

Incorrect cleaning damages the appliance.

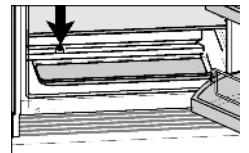
- ▶ Do not use concentrated cleaning agents.
- ▶ Do not use steel wool or sponges that scour or scratch.
- ▶ Do not use caustic or abrasive cleaning materials or those containing sand, chloride, or acids.
- ▶ Do not use chemical solvents.
- ▶ Do not damage or remove the rating plate on the inside of the appliance. It is vital for the customer service department.
- ▶ Do not pull off, kink or damage any cables or other components.
- ▶ Do not let cleaning water get into the drain gutter, the ventilation grille and electrical parts.
- ▶ Use soft cleaning cloths and a multi-purpose cleaning agent with a neutral pH value.
- ▶ Only use food-compatible cleaning and care agents inside the appliance.

- ▶ **Empty the appliance.**

- ▶ **Disconnect the power plug.**



- ▶ Clean the **ventilation grilles** regularly.
- ▶ Clean the **plastic surfaces, outside and inside**, by hand using lukewarm water and a little dish washing liquid.
- ▶ To clean the **drain opening**: Remove deposits with a thin instrument, e.g. a cotton bud.



- ▶ Most of the **equipment parts** can be dismantled for cleaning: see the respective chapter.

#### After cleaning:

- ▶ Wipe the appliance and accessories dry.
- ▶ Connect the appliance and switch it on again.

## 6.3 Customer service

First check whether you can remedy the fault yourself (see Troubleshooting). If this is not the case, please contact a qualified service provider.



#### WARNING

Risk of injury from repairs by non-professionals.

- ▶ Repairs and work on the appliance and the power supply cable not described in the Manual (see Maintenance) should only be carried out by a qualified service provider.



- ▶ Read the appliance designation *Fig. 6 (1)*, service no. *Fig. 6 (2)* and serial no. *Fig. 6 (3)* from the rating plate. The rating plate is located inside the appliance on the left-hand side.

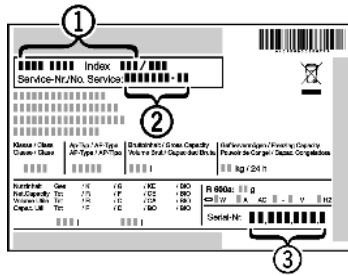


Fig. 6

- ▶ Notify a qualified service provider, specifying the fault, appliance designation *Fig. 6 (1)*, service no. *Fig. 6 (2)* and serial *Fig. 6 (3)* no.
- ▷ This will help us to provide you with a faster and more accurate service.

- ▶ Keep the appliance closed until the Customer Service engineer arrives.
- ▷ The food will stay cool longer.
- ▶ Disconnect the power plug (do not pull on the power cord to do this) or switch off the fuse.


## 7 Troubleshooting.

Your appliance is designed and manufactured for reliable operation and a long lifespan. If a malfunction nonetheless occurs during operation, please determine if the malfunction is due to an operating error. If a service call determines operator error, you will be charged for the costs incurred, even during the warranty period. You may be able to rectify the following problems yourself:


Problem	Possible Cause	Correction
<b>The appliance does not work.</b>	The appliance is not switched on.	▶ Switch on the appliance.
	The power plug is not properly inserted in the wall socket.	▶ Check the power plug.
	The fuse in the wall socket is not OK.	▶ Check the fuse.
	Power failure	<ul style="list-style-type: none"> <li>▶ Keep the appliance closed.</li> <li>▶ Protect the food: place dry ice on top of the food or use an alternate freezer, if the power failure persists for some time.</li> <li>▶ Do not re-freeze defrosted food.</li> </ul>
<b>The compressor runs for a long time.</b>	When less refrigeration is required, the speed-controlled compressor switches to a low speed. Although the running time is increased as a result, energy is saved.	▶ This is normal in energy-saving models.
	SuperCool function is activated.	▶ The compressor runs long to rapidly cool food. This is normal.
<b>An LED at the lower rear of the appliance (near the compressor) flashes regularly every 5 seconds*.</b>	There is a fault.	▶ Contact the customer service department (see Maintenance).
<b>Noises are too loud.</b>	The different speed levels of speed-controlled* compressors can cause them to generate various noises during operation.	▶ These noises are normal.
<b>A gurgling sound</b>	This sound comes from the refrigerant flowing in the refrigeration circuit.	▶ The sound is normal.
<b>A faint clicking sound</b>	The sound always occurs when the refrigeration unit (the motor) automatically switches on or off.	▶ The sound is normal.

\* Depending on model and options

## Troubleshooting.

Problem	Possible Cause	Correction
<b>A hum. It is briefly a little louder when the refrigeration unit (the motor) switches on.</b>	The refrigeration increases automatically when the SuperCool function is activated, fresh food has just been placed in the appliance or the door has been left open for a while.	The ambient temperature is too high.
	The ambient temperature is too high.	► Solution: (see 1.3)
<b>Vibration noise</b>	The appliance is not standing firmly on the floor. As a result, objects and adjoining units are set into vibration by the running refrigeration unit.	<ul style="list-style-type: none"> <li>► Check the installation and realign the appliance if necessary.</li> <li>► Move bottles and containers apart.</li> </ul>
<b>Flow noise on the soft stop mechanism.</b>	The sound is caused by the soft stop mechanism.	► The sound is normal.
<b>The temperature display indicates: F0 to F9.</b>	There is a fault.	► Contact the customer service department (see Maintenance).
<b>DEMO lights up in the temperature display.</b>	The demo mode is activated.	► Contact the customer service department (see Maintenance).
<b>The outside surfaces of the appliance are hot*.</b>	The heat of the refrigerant circuit is used to prevent condensate from forming.	► This is normal.
<b>The temperature is not cold enough.</b>	The door of the appliance is not closed properly.	► Close the appliance door.
	Insufficient ventilation.	► Clear and clean the ventilation grille.
	The ambient temperature is too high.	► Solution: (see 1.3)
	The appliance was opened too frequently or for too long.	► Wait to see whether the required temperature resets itself by itself. If not, contact the customer service department (see Maintenance).
	The temperature is incorrectly set.	► Set to a colder temperature and check after 24 hours
	The appliance is too near to a heat source (stove, heater etc).	► Change location of appliance or the heat source.
	The appliance was not properly installed in the recess.	► Make sure the appliance was installed correctly and the door closes properly.
<b>The interior light does not turn on.</b>	The appliance is not switched on.	► Switch on the appliance.
	The door was open for longer than 15 min.	► The interior light automatically switches itself off if the door remains open for approx. 15 min.
	The LED interior light is faulty or the cover is damaged:	<div style="border: 1px solid red; padding: 5px;">  <b>WARNING</b>            Risk of injury from electrical shock.            Live parts are under the cover.            ► The LED interior light should only be replaced or repaired by the Customer Service department or by engineers trained to do so.         </div>

## Putting appliance out of service

Problem	Possible Cause	Correction
		 <b>WARNING</b> Risk of injury from LED lamp! The lighting intensity of the LED light complies with laser class 1/1M. If the cover is faulty: ► Do not gaze directly at this lighting unit with optical lenses while very close to the light source. This can cause damage to your eyes.
<b>The door seal is defective or should be replaced for other reasons.</b>	The door seal is interchangeable. You can replace it without the use of any special tools.	► Contact the customer service department (see Maintenance):
<b>The appliance is iced up or condensation is building.</b>	The door seal may have slipped out of its groove.	► Check the door seal is well placed in the groove.

## 8 Putting appliance out of service

### 8.1 Vacation Tips

**Short vacations:** If you will be away for less than four weeks

- Use all perishables.

**Long vacations:** If you will be away for a month or more

- Remove all food from the appliance.
- Turn OFF the appliance.
- Clean the appliance (see 6.2) .
- Leave the door open to prevent unpleasant odors.
- ▷ This will also keep mold from building up.

### 8.2 Switching the device off

- Press and hold the On/Off button *Fig. 2 (1)* until the display becomes dark. Release the button.
- ▷ If the appliance cannot be switched off, the Child Safety function is still activated (see 5.2) .

### 8.3 Decommissioning

- Empty the appliance.
- Switch off the appliance (see Putting appliance out of service).
- Pull out the power plug.
- Clean the appliance (see 6.2) .



- Leave the door open to prevent bad smells.

## 9 Disposing of the appliance

Follow the local regulations for the disposal of appliances. Old appliances can be dangerous. Contact the local refuse collection department for additional information.



### DANGER

There is a risk of suffocation.

Children playing can shut themselves in and suffocate.

- Take the door(s) off.
- Remove the drawers.
- Leave the storage shelves in the appliance so that children cannot easily climb into the appliance.



### WARNING

Danger of electric shock.

- Cut off the plug from the power cord and discard.
- Cut off the power cord from the discarded appliance. Dispose of separately from the appliance.

Ensure during and after disposal that the appliance isn't stored in the vicinity of gasoline or other flammable vapors and liquids.

When disposing of the appliance, ensure that the refrigeration circuit is not damaged to prevent uncontrolled escape of the refrigerant it contains (data on type plate) and oil.

# Liebherr Warranty Plan

---

## 10 Liebherr Warranty Plan

**FULL TWO YEAR WARRANTY** - For two years from the date of original purchase, your Liebherr warranty covers all parts and labor to repair or replace any part of the product which proves to be defective in materials or workmanship.

**FULL FIVE YEAR WARRANTY** - For five years from the date of original purchase, your Liebherr warranty covers all parts and labor to repair or replace any components that prove to be defective in materials or workmanship in the sealed system. The "Sealed System" means only the compressor, condenser, evaporator, drier and all connecting tubing.

**LIMITED 6TH THROUGH 12TH YEAR WARRANTY** - From the 6<sup>th</sup> through 12<sup>th</sup> year from the date of original purchase, your Liebherr warranty covers all parts that prove to be defective in materials or workmanship in the Sealed System (parts only).

### **TERMS APPLICABLE TO EACH WARRANTY**

All service provided by Liebherr under the warranty must be performed by authorized Liebherr service representatives, unless otherwise specified by Liebherr. Service will be provided in the home during normal business hours. This warranty applies only to products installed for normal residential use. Details regarding a non-residential warranty are available on request.

The warranty applies only to products installed in any one of the fifty states of the United States or the District of Columbia. The warranty does not cover any parts or labor to correct any defect caused by negligence, accident or improper use, maintenance, installation, service or repair, including but not limited to improper removal and reinstallation of the condensing unit.

**THE WARRANTIES DESCRIBED ABOVE ARE MADE EXPRESSLY IN LIEU OF ANY OTHER WARRANTIES, EXPRESSED OR IMPLIED, INCLUDING ANY IMPLIED WARRANTY OF MERCHANTABILITY OR FITNESS FOR A PARTICULAR PURPOSE, AND OF ANY OTHER OBLIGATION OR LIABILITY ON THE PART OF LIEBHERR. IN NO EVENT SHALL LIEBHERR BE LIABLE FOR SPECIAL, INCIDENTAL OR CONSEQUENTIAL DAMAGES ARISING FROM THE BREACH OF THESE WARRANTIES OR ANY OTHER WARRANTIES, WHETHER EXPRESS, IMPLIED OR STATUTORY.**

Some states do not allow the exclusion or limitation of incidental or consequential damages so the above limitation or exclusion may not apply to you. This warranty gives you specific legal rights and you may also have other legal rights which vary from state to state.

To receive parts and/or service and the name of the Liebherr authorized service representative nearest you, contact your Liebherr dealer or distributor or contact the Liebherr designated national service provider:

in the US: [Service-appliances.us@liebherr.com](mailto:Service-appliances.us@liebherr.com) or call 1-866-LIEBHER (1-866-543-2437).

in Canada: [www.euro-parts.ca](http://www.euro-parts.ca) or call 1-888-LIEBHER (1-888-543-2437).



**For Service in the U.S.:**

**Liebherr Service Center**

**Toll Free: 1-866-LIEBHER or 1-866-543-2437**

Service-appliances.us@liebherr.com  
PlusOne Solutions, Inc.  
3501 Quadrangle Blvd, Suite 120  
Orlando, FL 32817

**For Service in Canada:**

**Liebherr Service Center**

**Toll Free: 1-888-LIEBHER or 1-888-543-2437**

www.euro-parts.ca  
EURO-PARTS CANADA  
39822 Belgrave Road  
Belgrave, Ontario, N0G 1E0  
Phone: (519) 357-3320  
Fax: (519) 357-1326



[www.liebherr-appliances.com](http://www.liebherr-appliances.com)