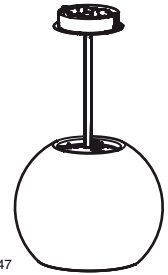


# SPHERA IM42I50B & IM42I50W RANGE HOOD



HB0147

With SPHERA, simplicity is the keyword and simplicity is powerful. It could be mistaken for a light or a sculpture, but in this case it's the latest fashion in island range hoods! Black or white, SPHERA will be the "it" factor that makes your dining area unique.

### FEATURES

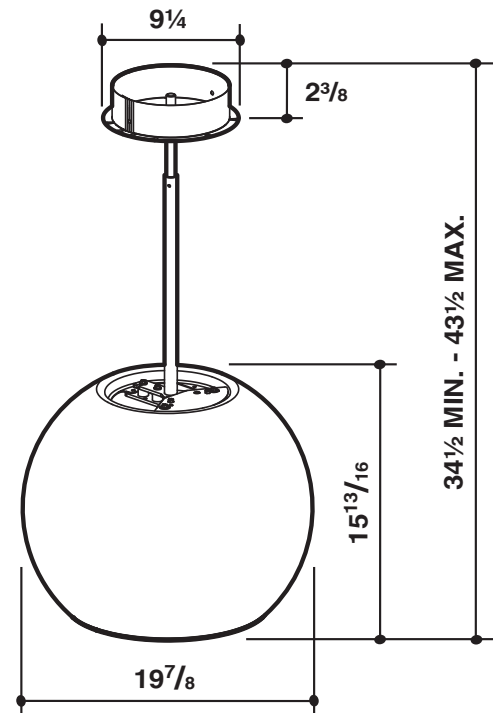
- Italian design
- Ceiling mounted island hood
- Finishes: Black & White
- Width: 19<sup>7</sup>/<sub>8</sub>"
- Non-ducted
- Telescopic rod accommodates 8' to 9' ceilings
- Halogen lighting (2 bulbs included, type MR11, 12 volts, 20-watt max. G4 2-pin base)
- 4-speed push-button controls with lighted speed indicator
- Heat Sentry™ - automatically turns blower to high speed when excess cooking heat is detected
- Delay timer control automatically shuts off range hood after 10 minutes
- Filter clean reminder
- For indoor use only

### OPTIONS (Not included with hood. Purchase separately.)

- Charcoal filters (Model AFCIM42)
- Optional remote control (Model ACR3)

### SPECIFICATIONS

VOLTS	HZ	AMPS
120	60	2.63



HK0168

Mount range hood so bottom of hood is 23<sup>1</sup>/<sub>2</sub>" minimum above cooking surface.

BEST Drummondville, QC, Canada www.BestRangeHoods.ca 866-737-7770

REFERENCE	QTY.	REMARKS	Project	
			Location	
			Architect	
			Engineer	
			Contractor	
			Submitted by	Date