

Low Back Guard, Gas and Dual Fuel HGZBS301



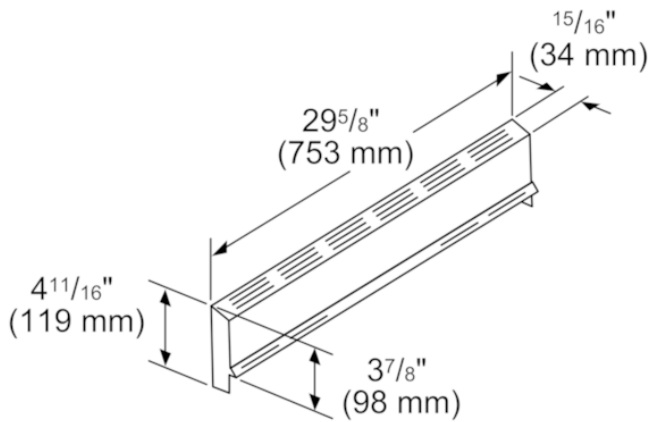
Features and Benefits

Notes: All height, width and depth dimensions are shown in inches. *Please refer to installation instructions prior to making cutout. BSH reserves the absolute and unrestricted right to change product materials and specifications, at any time, without notice. Consult the product's installation instructions for final dimensional data and other details. Applicable product warranty can be found in a accompanying product literature or you may contact your account manager for further details.

For more information on our entire line of products, go to boschappliances.com or call 1-800-944-2904.
Copyright ©2018 BSH Home Appliances Corporation. All rights reserved. Bosch is a registered trademark of Robert Bosch GmbH.

Litho Date: 12/2018

Low Back Guard, Gas and Dual Fuel HGZBS301



measurements in inches

Features

Product Description	
Product group	Accessory
Brand	Bosch
Product name / series name	
SKU	HGZBS301
Internal article number	00000000011007518
EAN code	4242002790800
Product packaging dimensions (HxWxD) (in)	
Net weight (lbs)	4
Gross weight (lbs)	4
Quantity per packing unit	
Standard number of units per pallet	
UPC code	825225908951
Name of product image	MCSA00675302_HGZBS301_def.jpg

Technical Specification

Notes: All height, width and depth dimensions are shown in inches. *Please refer to installation instructions prior to making cutout. BSH reserves the absolute and unrestricted right to change product materials and specifications, at any time, without notice. Consult the product's installation instructions for final dimensional data and other details. Applicable product warranty can be found in a accompanying product literature or you may contact your account manager for further details.

For more information on our entire line of products, go to boschappliances.com or call 1-800-944-2904.
Copyright ©2018 BSH Home Appliances Corporation. All rights reserved. Bosch is a registered trademark of Robert Bosch GmbH.

Litho Date: 12/2018