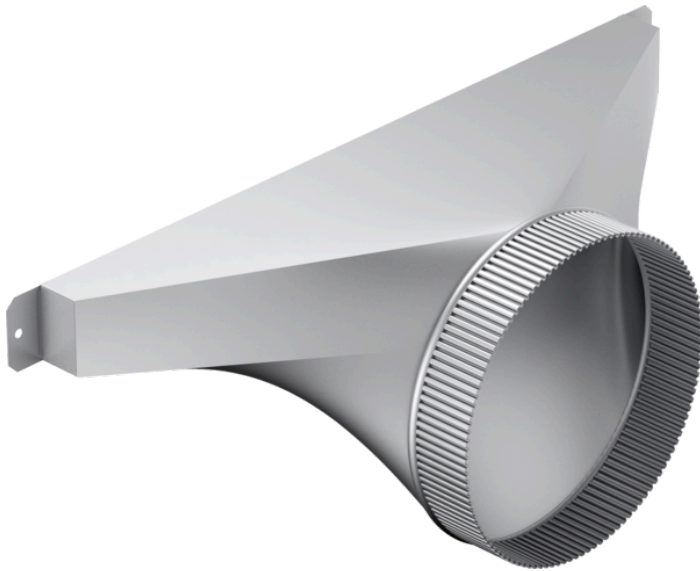


8" Side/Rear Transition for Downdraft HDDSTRAN8



Features and Benefits

Design

- Customize The Direction Of Duct Discharge To Be Left, Right, Or Rear
- Rectangular 1-7/8" x 19" Transition To 8" Round
- Ability To Use With Ducting Or Elbows With 8" Round Duct Connection
- Some Blower Positions May Need Deeper Cabinets. See Installation Guide

Performance

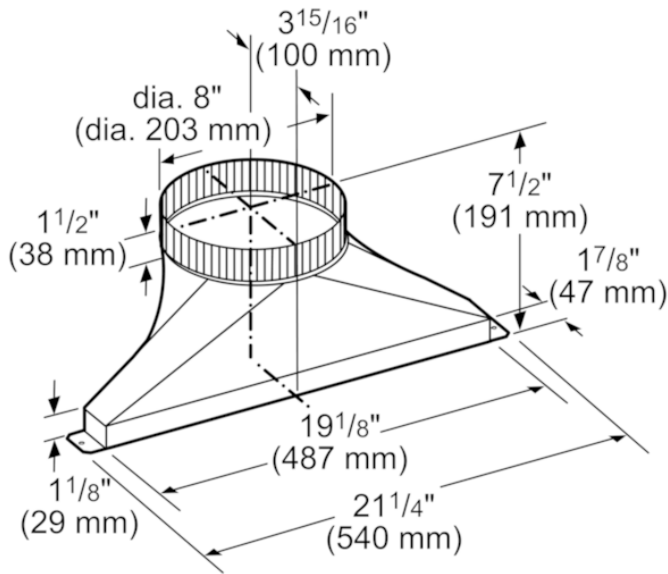
- For DHG602DUC Flexible Downdraft Blower Used As Inline Installation
- See Installation Guide For Details

Notes: All height, width and depth dimensions are shown in inches. *Please refer to installation instructions prior to making cutout. BSH reserves the absolute and unrestricted right to change product materials and specifications, at any time, without notice. Consult the product's installation instructions for final dimensional data and other details. Applicable product warranty can be found in a accompanying product literature or you may contact your account manager for further details.

For more information on our entire line of products, go to boschappliances.com or call 1-800-944-2904.
Copyright ©2018 BSH Home Appliances Corporation. All rights reserved. Bosch is a registered trademark of Robert Bosch GmbH.

Litho Date: 12/2018

8" Side/Rear Transition for Downdraft HDDSTRAN8



measurements in inches (mm)

Features

| | |
|---|--|
| Product Description | |
| Product group | Accessory |
| Brand | Bosch |
| Product name / series name | |
| SKU | HDDSTRAN8 |
| Internal article number | 00000000000777721 |
| EAN code | 4242002909363 |
| Product packaging dimensions (HxWxD) (in) | |
| Net weight (lbs) | 3 |
| Gross weight (lbs) | 3 |
| Quantity per packing unit | |
| Standard number of units per pallet | 20 |
| UPC code | 825225920434 |
| Name of product image | MCSA02477409_i3922_1851069_CVTSIDE8_de |

Technical Specification

Notes: All height, width and depth dimensions are shown in inches. *Please refer to installation instructions prior to making cutout. BSH reserves the absolute and unrestricted right to change product materials and specifications, at any time, without notice. Consult the product's installation instructions for final dimensional data and other details. Applicable product warranty can be found in a accompanying product literature or you may contact your account manager for further details.

For more information on our entire line of products, go to boschappliances.com or call 1-800-944-2904.

Copyright ©2018 BSH Home Appliances Corporation. All rights reserved. Bosch is a registered trademark of Robert Bosch GmbH.

Litho Date: 12/2018