

15" TALL RISING DOWN DRAFT WITH GLASS AND LED LIGHTING. THE SCIROCCO LUX GLASS DOWN DRAFT IS PERFECT FOR INSTALLATIONS WHERE A CANOPY WOULD BE OBSTRUCTIVE, OR WALL INSTALLATIONS WHERE CABINET SPACE IS AT A PREMIUM. WITH A REVERSIBLE MOTOR BOX, THE HOOD CAN FIT BEHIND A RANGE TOP, COOKTOP OR COOKTOP/OVEN COMBO.



AVAILABLE MODELS

Model #	Size / Color	Motor Class (CFM)	Sound Levels (sones)
SCLX3015BKNB-B	30 Black Glass/SS		
SCLX3615BKNB-B	36 Black Glass/SS		
SCLX3015SSNB-B	30 Gray Glass/SS		
SCLX3615SSNB-B	36 Gray Glass/SS		
IBDD600-B		600 CFM Internal Blower 60- 600 CFM	1.5 - 6.5
RB900		900 CFM Remote Blower 120 - 900 CFM	
RB1200		1200 CFM Remote Blower 120-1200 CFM	

KEY FEATURES



LED Digital Touch Controls

Electronic controls with a LED indicator to show the current speed and two level lighting, 24 hour anti-pollution mode and filter wash indicator

LED bulbs

Low consumption 1 watt LED bulbs with a dimmer light up your cooking but use very little energy



Pro Motor

The motor in this hood is surrounded in metal with all metal impellers for top performance



Perimetric Filter System

Perimetric filter increases efficiency and decreases noise levels

SPECIFICATIONS

max rise height	16"
convertible to ductless / recirculating	yes – kit sold separately
multiple ducting options	internal: left, right, down, forward, back remote - forward or back
reversible motor box	yes
hood width depth (36")	30" - 36" w 4" d
controls	digital soft touch control
lighting	LED light bar - 2 level dimmer
ducting front/back	6" round (internal) or 10" round (remote)
grease filters	dishwasher safe mesh
Perimetric Filter/ SilentKit	yes
24 hour anti-pollution mode	yes
Pro Motor (metal impellers)	yes
30 minute auto shut off	yes
filter wash alarm	yes
ADA compliant	yes (w/ optional remote)
AC power	400 watts / 3.2 amps

PERFORMANCE (IBDD600-B)

SPEED	1	2	3	4	BOOST
CFM	150	350	450	500	560
Sones	1.5	2.5	3.5	4.5	6.5

ACCESSORIES

CFMRED – CFM Reducer Kit*

For use in make up air areas where an under 300 cfm hood is required. This kit reduces the ducting to 5" round and reduces the cfm to under 300.

CFMRED2 – CFM Reducer Kit*

For use in make up air environments where an under 400 cfm hood is required. This kit reduces the ducting to 5" round and reduces the cfm from 400 to under.

DUCTSCIR Ductless Conversion Kit

Converts the Scirocco Lux to ductless. The kit includes charcoal filters and a kick plate return register to vent back into the kitchen.

WIREBOXCLX

Fixed Wiring Box

Required to wire a remote blower to the Scirocco Lux.

FILTERSCIR – Replacement Charcoal Filter Kit

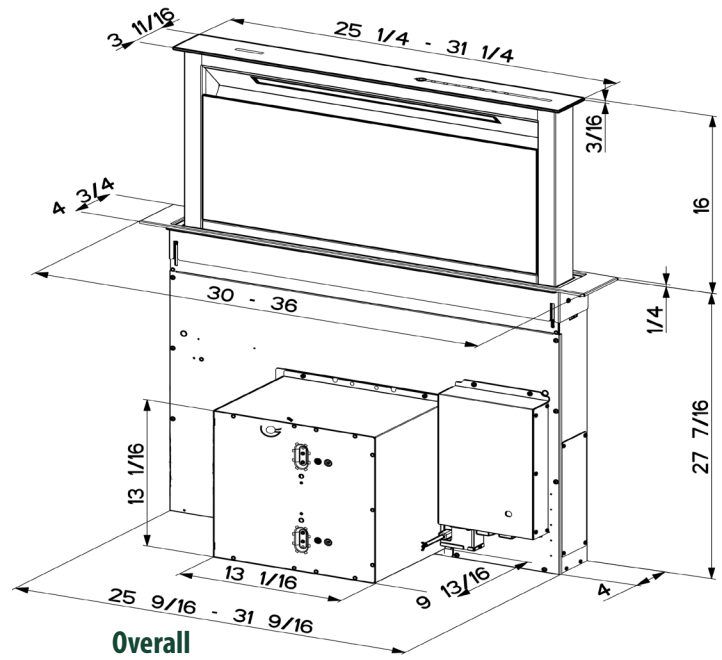
High quality charcoal filter for use when recirculating the air back into the kitchen. Filters out odor and should be replaced every 6 months.

MUDAMPER6 / MUDAMPER8 / MUDAMER10 – Universal Make-Up Air Damper

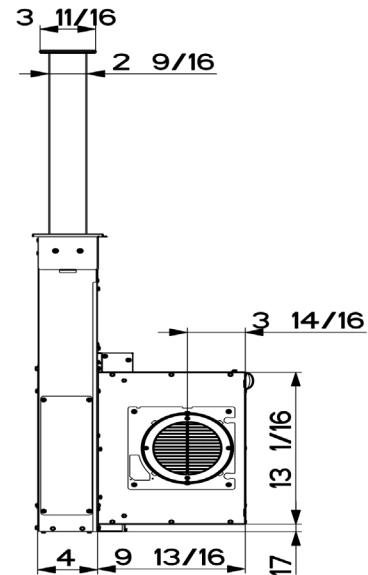
Satisfies make-up air requirements, this kit uses an air switch to activate the make-up air damper to open and bring fresh air into the home when the hood fan is on. It then closes tightly when the hood is off. The CFM level is not reduced with this accessory. NOTE: MUDAMER10 for use with 900/1200 cfm motors.

REMCTRL – Remote Control

Control all features of the hood from the convenience of a wireless remote control



Overall



Side