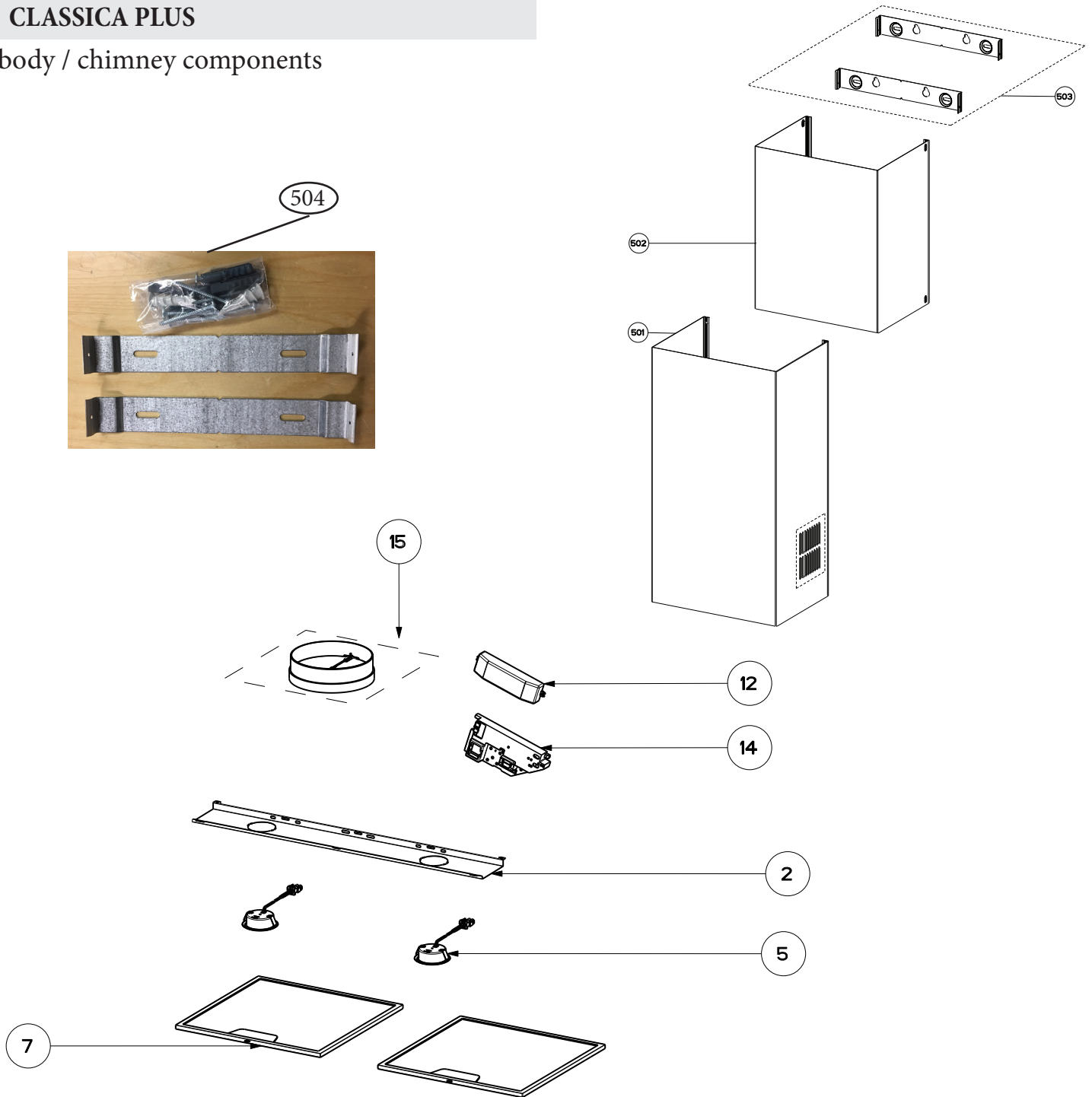


CLASSICA PLUS

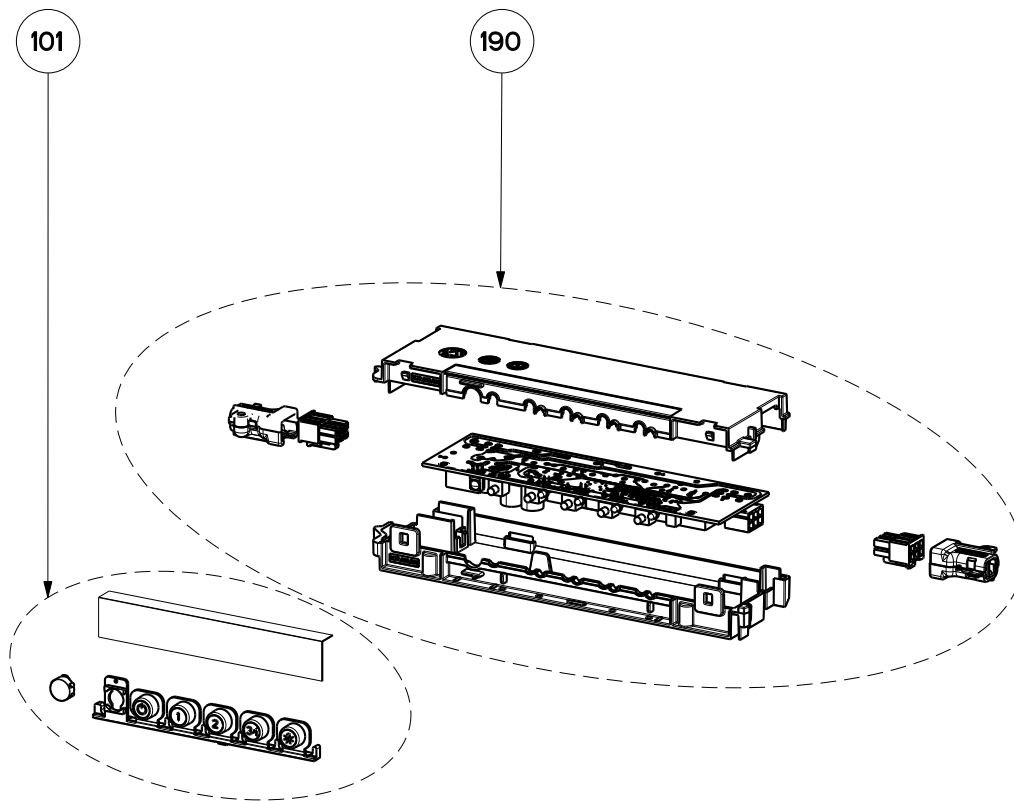
body / chimney components



	Model Number	CLAS30SS600-B	CLAS36SS600-B	CLAS30SS300-B	CLAS36SS300-B	
Key	Description	30 Stainless	36 Stainless	30 Stainless	36 Stainless	Qty Req.
2	Lighting Support	133.0381.738	133.0381.930	133.0381.738	133.0381.930	1
5	LED Lights	133.0289.829	133.0289.829	133.0289.829	133.0289.829	2
7	Grease Filter	133.0381.635	133.0067.471	133.0381.635	133.0067.471	2 (30"), 3 (36")
12	Transformer	133.0299.377	133.0299.377	133.0299.377	133.0299.377	1
14	Transformer Support	133.0182.439	133.0182.439	133.0182.439	133.0182.439	1
15	Damper	133.0055.994	133.0055.994	133.0055.994	133.0055.994	1
501	Lower Chimney	133.0381.587	133.0381.587	133.0381.587	133.0381.587	1
502	Upper Chimney	133.0381.783	133.0381.783	133.0381.783	133.0381.783	1
503	Chimney Brackets	133.0058.717	133.0058.717	133.0058.717	133.0058.717	1
504	Hardware kit	133.0474.334	133.0474.334	133.0474.334	133.0474.334	1

CLASSICA PLUS

switch components

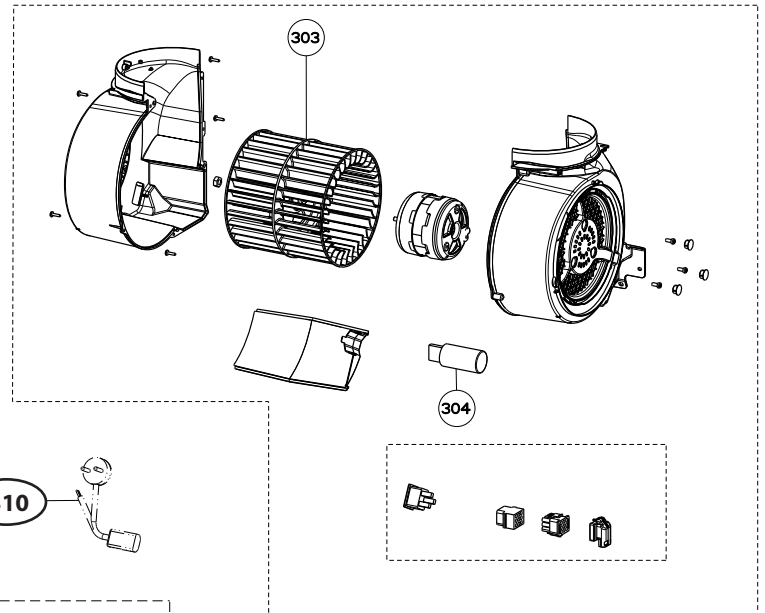


	Model Number	CLAS30SS600-B	CLAS36SS600-B	CLAS30SS300-B	CLAS36SS300-B	
Key	Description	30 Stainless	36 Stainless	30 Stainless	36 Stainless	Qty Req.
101	Button Kit	133.0380.478	133.0380.478	133.0380.478	133.0380.478	1
190	Control board kit	133.0440.939	133.0440.939	133.0440.939	133.0440.939	1

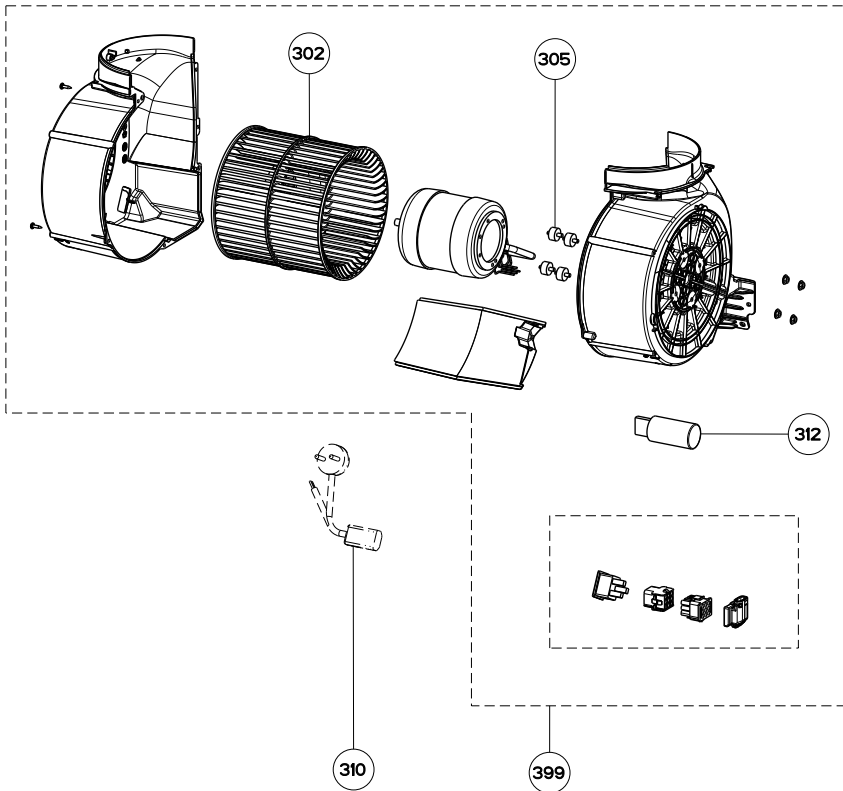
CLASSICA PLUS

motor components

300 CFM MOTOR



600 CFM MOTOR



	Model Number	CLAS30SS600-B	CLAS36SS600-B	CLAS30SS300-B	CLAS36SS300-B	
Key	Description	30 Stainless	36 Stainless	30 Stainless	36 Stainless	Qty Req.
302	Impeller 600 cfm	133.0052.799	133.0052.799	NA	NA	1
303	Impeller 300 cfm	NA	NA	133.0178.632	133.0178.632	1
305	Rubber Motor Mount	133.0051.604	133.0051.604	NA	NA	1
310	Power cord	133.0381.468	133.0381.468	133.0381.468	133.0381.468	1
304	Capacitor 14 mf	NA	NA	133.0071.827	133.0071.827	1
312	Capacitor 25 mf	133.0060.648	133.0060.648	NA	NA	1
399	Motor Group 600 cfm	133.0381.523	133.0381.523	NA	NA	1
399	Motor Kit 300 cfm	NA	NA	133.0464.899	133.0464.899	1