

SRT486G



## FEATURES

- 6 dual-stacked burners plus 15,000 Btu infrared griddle
- Dual-stacked burners go from 20,000 Btu down to a mere breath of flame
- Continuous cast-iron grates for easy movement of pots and pans
- Heavy-gauge stainless steel
- Rigorously tested in our U.S. manufacturing facilities for decades of use
- Exceptional 24/7 support from our Customer Care team in Madison
- Signature red infinite control knobs
- Spark ignition system re-ignites if flame goes out

## ACCESSORIES

- 11" Cutting Board
- 2-Burner Wok Grate
- Filler Trim
- Griddle Cleaning Pads
- Griddle Cleaning Kit
- Griddle Cleaning Solution
- S-Grates
- Stainless steel, brass or chrome bezels
- High altitude conversion kit
- Signature red, black or stainless steel control knobs
- 5" and 10" stainless steel risers, and 20" riser with shelf

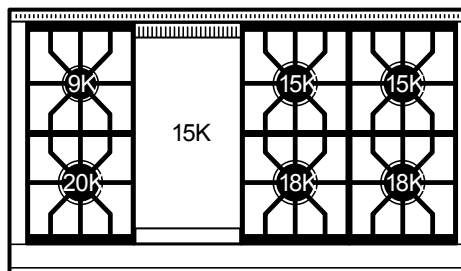
Accessories available through an authorized dealer.  
For local dealer information, visit [subzero-wolf.com/locator](http://subzero-wolf.com/locator).



## KNOB OPTIONS



## TOP CONFIGURATION



## RANGETOP SPECIFICATIONS

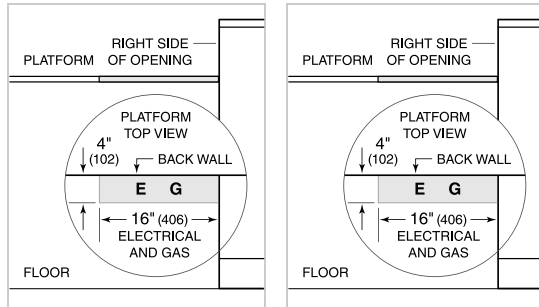
- 1 - 9,200 Btu Burner
- 2 - 15,000 Btu Burners
- 2 - 18,000 Btu Burners
- 1 - 20,000 Btu Burner
- 1 - 15,000 Btu (13,000 Btu LP) Griddle

**PRODUCT SPECIFICATIONS**

Model	SRT486G
Dimensions	47 7/8"W x 8 1/2"H x 28 1/2"D
Weight	280 lbs
Electrical Supply	110/120 VAC, 60 Hz
Electrical Service	15 amp dedicated circuit
Gas Supply	3/4" ID line
Gas Inlet	1/2" NPT female
Receptacle	3-prong grounding-type

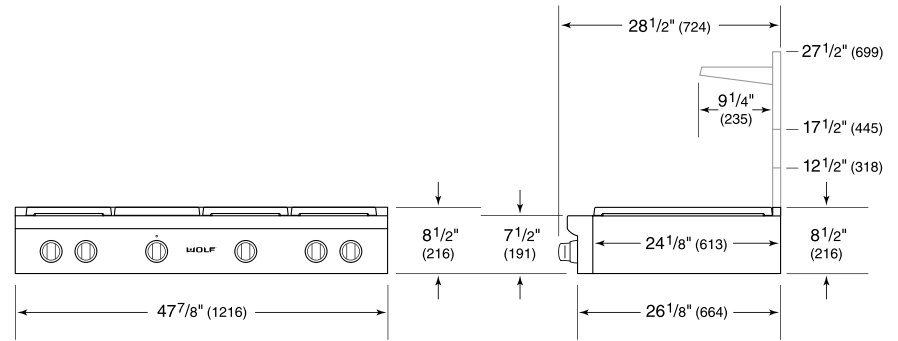
**ELECTRICAL**

**GAS**

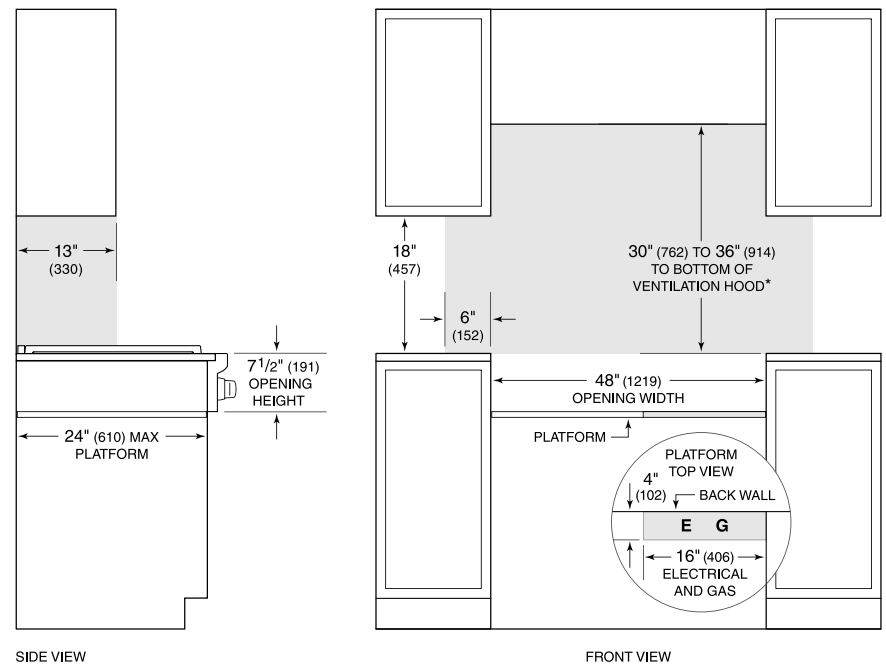


**NOTE:** Dimensions in parenthesis are in millimeters unless otherwise specified

**DIMENSIONS**



**STANDARD INSTALLATION**



SIDE VIEW

FRONT VIEW

*\*Without ventilation hood, 36" (914) minimum clearance countertop to combustible materials, 44" (118) for charbroiler.*

*NOTE: Shaded area above countertop indicates minimum clearance to combustible surfaces, combustible materials cannot be located within this area.*

*Electrical and gas supply located through bottom of platform.*

*For island installation, 12" (305) minimum clearance back of range to combustible rear wall above countertop.*