

GR488



FEATURES

- 8 dual-stacked, sealed burners

- Continuous cast-iron grates for easy movement of pots and pans

- Convection oven for faster, more consistent cooking

- Infrared broiler inside 30" oven sears quickly and evenly

- Dual-stacked, sealed burners for higher highs, lower lows

- Second, 18" non-convection oven

- Rigorously tested in our U.S. manufacturing facilities for decades of use

- Exceptional 24/7 support from our Customer Care team in Madison

- Heavy-gauge stainless steel

- Signature red infinite control knobs

- Spark ignition system re-ignites if flame goes out

- Adjustable legs for stability, plus rear casters

ACCESSORIES

- 2-Burner Wok Grate

- Bake Stone Kit

- Filler Trim

- Front Leg Covers

- Full-Extension Ball Bearing Rack

- S-Grates

- Stainless Steel Kickplate

- Stainless steel, brass or chrome bezels

- High altitude conversion kit

- Signature red, black or stainless steel control knobs

- 5" and 10" stainless steel risers, and 20" riser with shelf

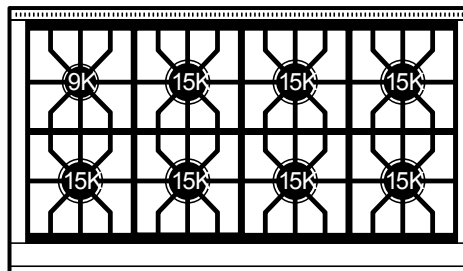
Accessories available through an authorized dealer.
For local dealer information, visit subzero-wolf.com/locator.



KNOB OPTIONS



TOP CONFIGURATION



RANGETOP SPECIFICATIONS

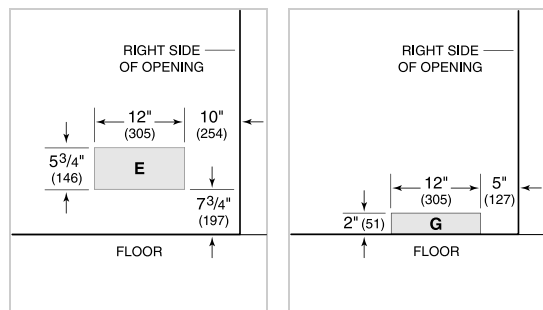
- 1 - 9,200 Btu Burner
- 7 - 15,000 Btu Burners

PRODUCT SPECIFICATIONS

Model	GR488
Dimensions	47 7/8"W x 37"H x 28 3/8"D
Oven 1 Interior Dimensions	13 1/2"W x 18 5/8"H x 17"D
Oven 2 Interior Dimensions	24"W x 18 5/8"H x 17"D
Oven 1 Usable Capacity	1.6 cu. ft.
Oven 1 Overall Capacity	2.5 cu. ft.
Oven 2 Usable Capacity	2.9 cu. ft.
Oven 2 Overall Capacity	4.4 cu. ft.
Door Clearance	19 1/2"
Weight	750 lbs
Electrical Supply	110/120 VAC, 50/60 Hz
Electrical Service	15 amp dedicated circuit
Gas Supply	3/4" ID line
Gas Inlet	1/2" NPT female
Receptacle	3-prong grounding-type

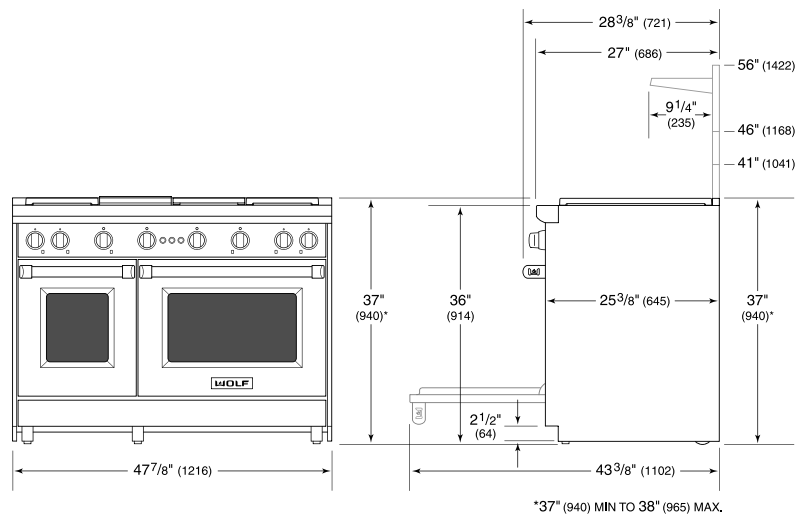
ELECTRICAL

GAS

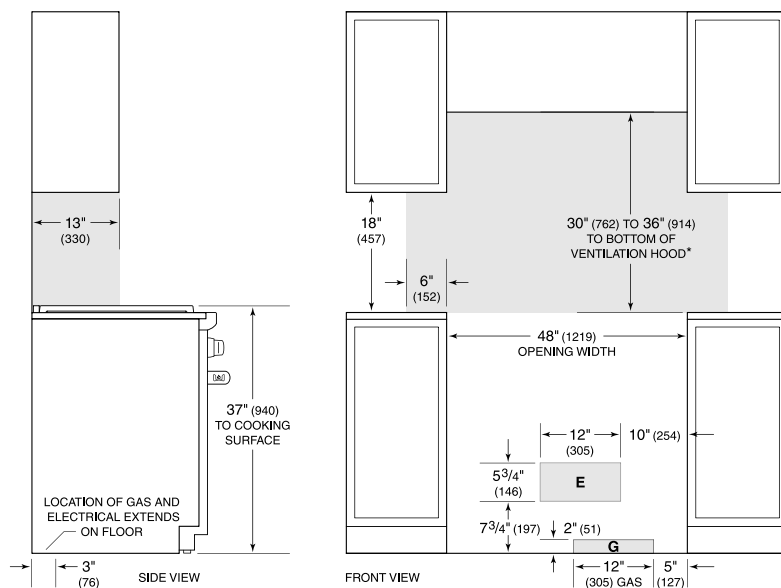


NOTE: Dimensions in parenthesis are in millimeters unless otherwise specified

DIMENSIONS



STANDARD INSTALLATION



*Without ventilation hood, 42" (1067) minimum clearance countertop to combustible materials, charbroiler and GR488 require non-combustible materials.
NOTE: Shaded area above countertop indicates minimum clearance to combustible surfaces, combustible materials cannot be located within this area.
For island installation, 12" (305) minimum clearance back of range to combustible rear wall above countertop.