

DF364G



## FEATURES

10 cooking modes make meals easy

Dual convection oven for faster, more consistent cooking

4 dual-stacked burners plus 15,000 Btu infrared griddle

Dual-stacked burners produce up to 20,000 Btu

Burners capable of delivering less than 300 Btu for premier simmer performance

Continuous cast-iron grates for easy movement of pots and pans

Rigorously tested in our U.S. manufacturing facilities for decades of use

Exceptional 24/7 support from our Customer Care team in Madison

Cobalt blue porcelain interior

Spark ignition system re-ignites if flame goes out

Heavy-gauge stainless steel

Exclusive pivoting control panel

Red, black or stainless steel control knobs

Temperature probe cooks to ideal doneness and lets you know when it's ready

Self clean, delayed start, timed cook, Sabbath mode and more

## ACCESSORIES

11" Cutting Board

2-Burner Wok Grate

3 1/4" (83) Front Leg Covers

3 1/4" (83) Rear Caster Covers

3 3/4" (95) Front Leg Covers

3 3/4" (95) Rear Caster Covers

30" Broiler Pan

36" Bake Stone Kit

36" Full-extension ball-bearing oven rack

36" Stainless Steel Kickplate

4 1/4" (108) Front Leg Covers

4 1/4" (108) Rear Caster Covers

4 3/4" (121) Front Leg Covers

4 3/4" (121) Rear Caster Covers

Dehydration Kit

Filler Trim

Griddle Ceaning Pads

Griddle Cleaning Kit

Griddle Cleaning Solution

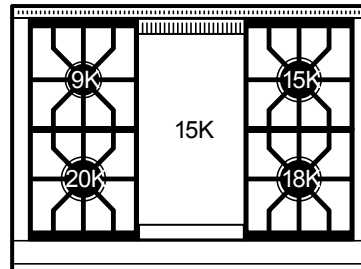
Oven Rack Set (3)



## KNOB OPTIONS



## TOP CONFIGURATION



## RANGETOP SPECIFICATIONS

- 1 - 9,200 Btu Burner
- 1 - 15,000 Btu Burner
- 1 - 18,000 Btu Burner
- 1 - 20,000 Btu Burner
- 1 - 15,000 Btu (14,000 Btu LP) Griddle

---

S-Grates

---

Temperature Probe

---

Stainless steel, brass or chrome bezels

---

5" and 10" stainless steel risers, and 20" riser with shelf

Accessories available through an authorized dealer.

For local dealer information, visit [subzero-wolf.com/locator](http://subzero-wolf.com/locator).

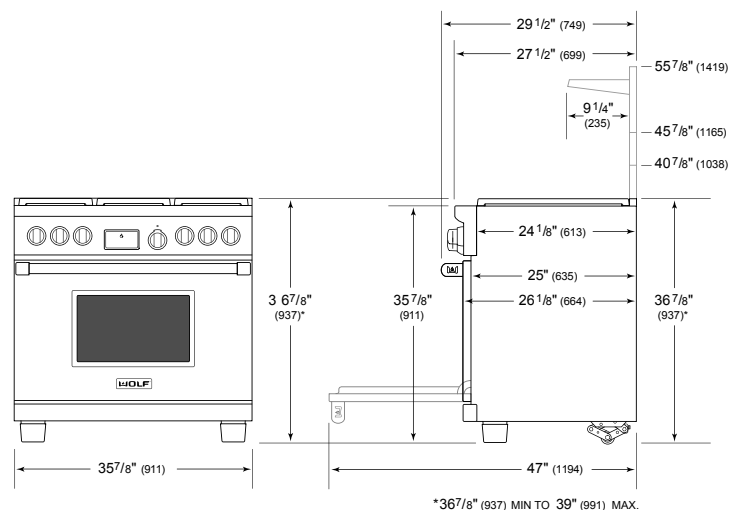
---

Specifications are subject to change without notice. This information was generated on November 28, 2018. Verify specifications prior to finalizing your cabinetry/enclosures.

**PRODUCT SPECIFICATIONS**

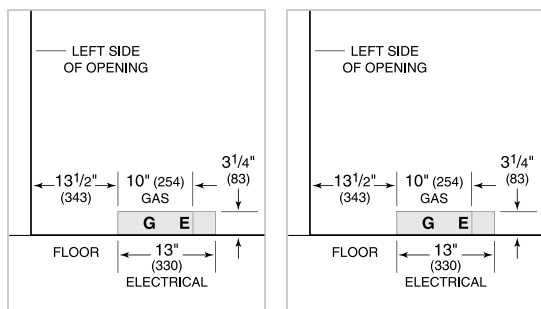
Model	DF364G
Dimensions	35 7/8"W x 36 7/8"H x 29 1/2"D
Oven 1 Usable Capacity	3.5 cu. ft.
Oven 1 Overall Capacity	5.4 cu. ft.
Door Clearance	19 1/2"
Weight	470 lbs
Electrical Supply	240/208 VAC, 60 Hz
Electrical Service	30 amp dedicated circuit
Gas Supply	3/4" ID line
Gas Inlet	1/2" NPT female

**DIMENSIONS**



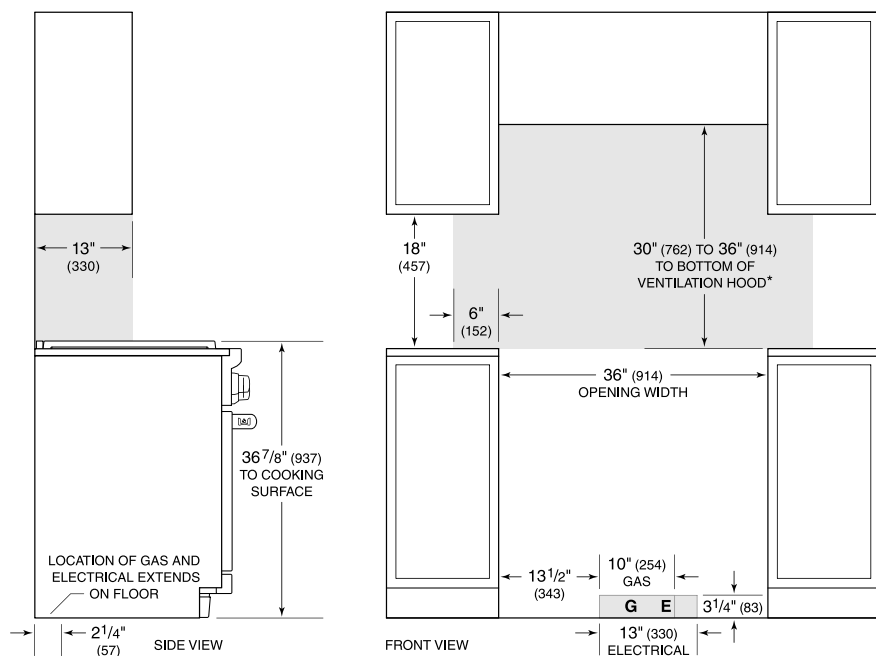
**ELECTRICAL**

**GAS**



NOTE: Dimensions in parenthesis are in millimeters unless otherwise specified

**STANDARD INSTALLATION**



\*Without ventilation hood, 36" (914) minimum clearance countertop to combustible materials, 44" (118) for charbroiler.

NOTE: Shaded area above countertop indicates minimum clearance to combustible surfaces, combustible materials cannot be located within this area.

For island installation, 12" (305) minimum clearance back of range to combustible rear wall above countertop.