

CG365C/S



FEATURES

- 20,000 Btu burner for faster boils

- Lower tier of dual-stacked burner lets you simmer and melt

- Continuous cast-iron grates for easy movement of pots and pans

- Spark ignition system re-ignites if flame goes out

- Dual-stacked, sealed burners for higher highs, lower lows

- Easy-clean seamless burner pan

- Illuminated control knobs

- Stunning minimalist design sits virtually flush to countertop

- Rigorously tested in our U.S. manufacturing facilities for decades of use

- Exceptional 24/7 support from our Customer Care team in Madison

ACCESSORIES

- Center burner wok grate

- High altitude conversion kit

- Signature red, black or brushed stainless control knobs

Accessories available through an authorized dealer.
For local dealer information, visit subzero-wolf.com/locator.



KNOB OPTIONS



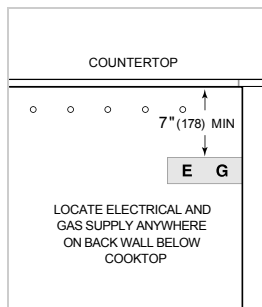
COOKTOP SPECIFICATIONS

- 2 - 9,200 Btu Burner
- 2 - 12,000 Btu Burner
- 1 - 20,000 Btu Burner

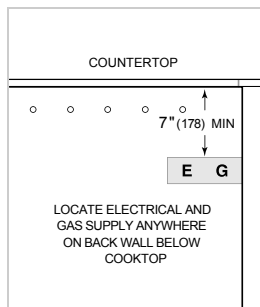
PRODUCT SPECIFICATIONS

Model	CG365C/S
Dimensions	36"W x 6 3/4"H x 21"D
Weight	100 lbs
Electrical Supply	120 VAC, 60 Hz
Electrical Service	15 amp dedicated circuit
Gas Supply	3/4" ID line
Gas Inlet	1/2" NPT female

ELECTRICAL

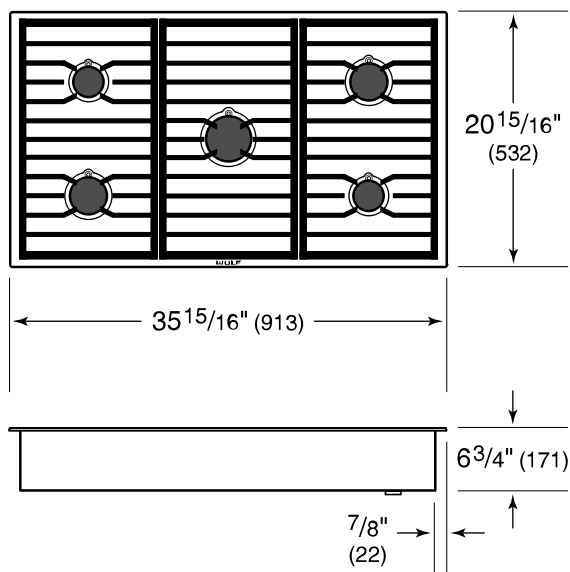


GAS

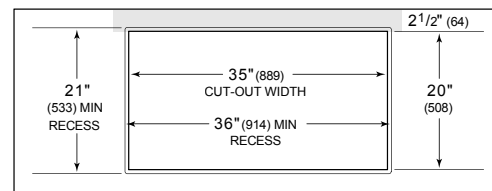
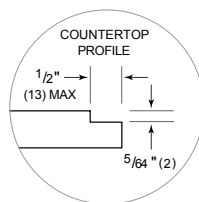


NOTE: Dimensions in parenthesis are in millimeters unless otherwise specified

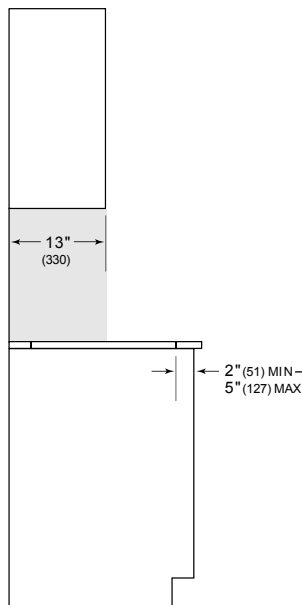
DIMENSIONS



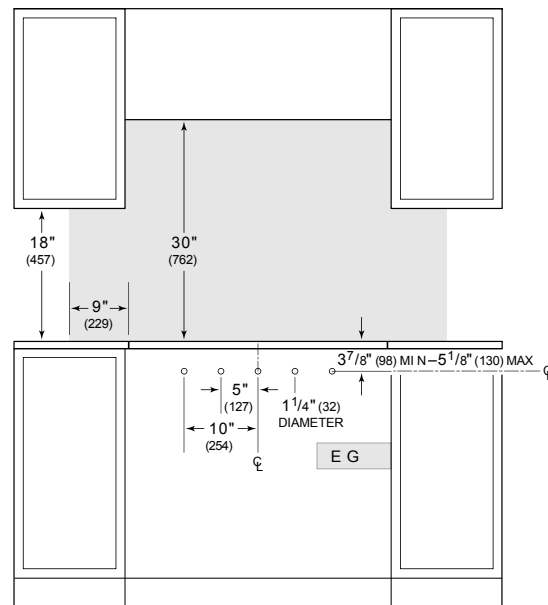
FLUSH INSTALLATION



COUNTERTOP CUT-OUT



SIDE VIEW



FRONT VIEW

NOTE: Shaded area above countertop indicates minimum clearance to combustible surfaces, combustible materials cannot be located within this area.
 Maximum facade thickness (25). 1" (25) thickness extends 1 7/8" (45) left and right and 2 1/2" (64) above and below centerlines.
 Outside corner radius 3/8" (10).