

VW45G**FEATURES**

Heavy-duty stainless steel

Powerful blower options

LED lights with two brightness settings

Dishwasher-safe filters

Front-mounted electronic controls

Telescoping chimney reaches standard ceiling heights

Rigorously tested in our U.S. manufacturing facilities for decades of use

Exceptional 24/7 support from our Customer Care team in Madison

ACCESSORIES

Flue Extension

Make-Up Air Damper

Recirculating Filter

Recirculating Kit

Remote Control

Inline Blowers

Internal Blowers

Remote Blowers

Accessories available through an authorized dealer.

For local dealer information, visit subzero-wolf.com/locator.

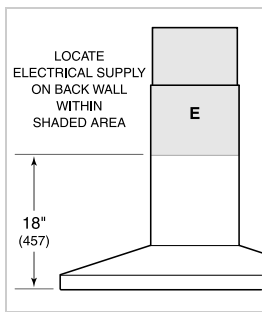
**BLOWER OPTIONS**

- 300 CFM Internal
- 600 CFM Internal
- 600 CFM Inline
- 600 CFM Remote

PRODUCT SPECIFICATIONS

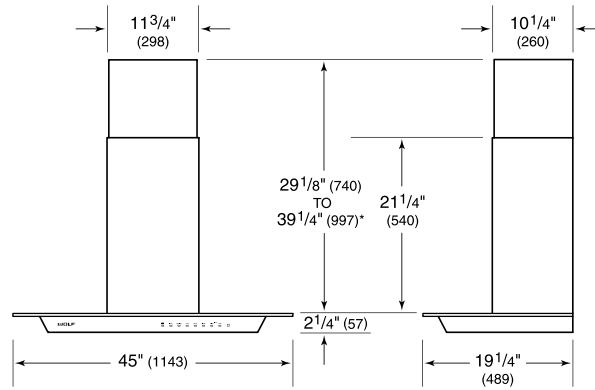
| | |
|------------------------------|---------------------------|
| Model | VW45G |
| Dimensions | 45"W x 2 1/4"H x 19 1/4"D |
| Weight | 62 lbs |
| Electrical Supply | 110/120 VAC, 60 Hz |
| Electrical Service | 15 amp dedicated circuit |
| Discharge Location | Vertical |
| Discharge Dimensions | 6" Round |
| Bottom of Hood to Countertop | 24" to 36" |
| Receptacle | 3-prong grounding-type |

ELECTRICAL



NOTE: Dimensions in parenthesis are in millimeters unless otherwise specified

DIMENSIONS



*49 1/8" (1248) to 59 1/4" (1505) with accessory flue extension.