

DD30

FEATURES

Rises 14 inches to whisk away smoke and odors

Heavy-gauge stainless steel

Lowers when not in use

Remote control operation from up to 9' away

Blower required (internal, in-line or remote blowers available)

Adjustable discharge lets you negotiate around ducting

Delay-off feature

Delay-off feature shuts off blower after approximately 5 minutes

Reversible motor box can be installed on either side of the downdraft

Rigorously tested in our U.S. manufacturing facilities for decades of use

Exceptional 24/7 support from our Customer Care team in Madison

ACCESSORIES

10" Round Inline Damper

8" Round Inline Damper

Contemporary Cooktop/Downdraft Trim

Make-Up Air Damper

Recirculating Filter

Recirculating Kit

SRT Downdraft Trim

Inline Blowers

Internal Blowers

Remote Blowers

Accessories available through an authorized dealer.

For local dealer information, visit subzero-wolf.com/locator.



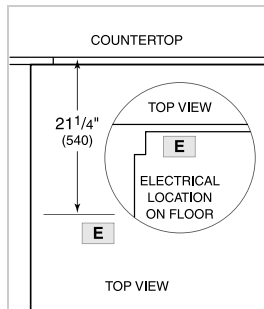
BLOWER OPTIONS

- 600 CFM Internal
- 600 CFM Inline
- 600 CFM Remote
- 1200 CFM Remote

PRODUCT SPECIFICATIONS

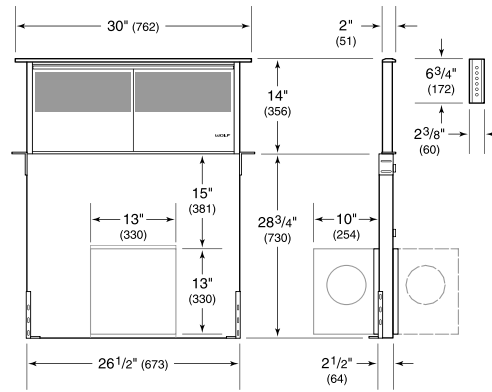
Model	DD30
Dimensions	30"W x 14"H x 2"D
Weight	75 lbs
Electrical Supply	110/120 VAC, 60 Hz
Electrical Service	15 amp dedicated circuit
Discharge Location	Vertical or Horizontal
Discharge Dimensions	6" round internal or 10" round inline or remote
Receptacle	3-prong grounding-type

ELECTRICAL



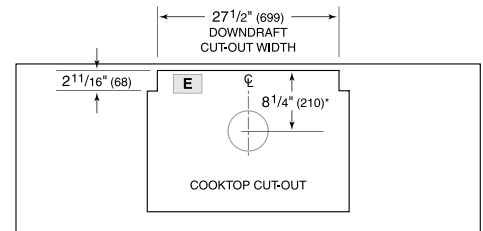
NOTE: Dimensions in parenthesis are in millimeters unless otherwise specified

DIMENSIONS

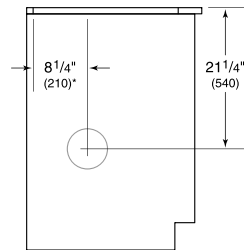


NOTE: Shown with front mounted internal blower with 6" (152) round discharge, dashed line represents rear mount.

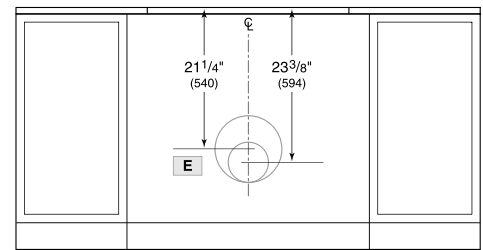
STANDARD INSTALLATION



TOP VIEW



SIDE VIEW



FRONT VIEW

*6" (152) back from countertop cut-out when internal blower is rear mounted.

NOTE: Internal blower 6" (152) round, side, rear or bottom discharge. In-line and remote blower 10" (254) round, rear discharge. Centerline indicates center of downdraft cut-out.