

GAS RANGE

USE AND CARE GUIDE

CLEANING, MAINTENANCE, AND MORE



Contents

- 4** Safety Precautions
- 6** Gas Range Features
- 7** Oven Operation
- 9** Surface Operation
- 13** Care Recommendations
- 14** Troubleshooting
- 15** Wolf Warranty

Customer Care

The model and serial number are printed on the enclosed product registration card. Both numbers are also listed on the product rating plate. Refer to page 6 for rating plate location. For warranty purposes, you will also need the date of installation and name of your authorized Wolf dealer. Record this information below for future reference.

SERVICE INFORMATION

| | |
|--------------------------|-------|
| Model Number | _____ |
| Serial Number | _____ |
| Date of Installation | _____ |
| Certified Service Name | _____ |
| Certified Service Number | _____ |
| Authorized Dealer | _____ |
| Dealer Number | _____ |

If your product ever needs attention, be sure to use a Wolf Factory Certified Service provider recommended by our customer care center, or select one from our list of providers available at wolfappliance.com/locator. All Factory Certified Service providers are carefully selected and thoroughly trained by us.

Important Note

To ensure this product is installed and operated as safely and efficiently as possible, take note of the following types of highlighted information throughout this guide:

IMPORTANT NOTE highlights information that is especially important.

CAUTION indicates a situation where minor injury or product damage may occur if instructions are not followed.

WARNING states a hazard that may cause serious injury or death if precautions are not followed.

IMPORTANT NOTE: Throughout this guide, dimensions in parentheses are millimeters unless otherwise specified.

IMPORTANT INSTRUCTIONS

⚠ WARNING

If the information in this guide is not followed exactly, a fire or explosion may result, causing property damage, personal injury or death.

Do not store or use gasoline or other flammable vapors and liquids in the vicinity of this or any other appliance.

WHAT TO DO IF YOU SMELL GAS:

- Do not try to light any appliance.
- Do not touch any electrical switch.
- Do not use any phone in your building.
- Immediately call your gas supplier from a neighbor's phone. Follow the gas supplier's instructions.
- If you cannot reach your gas supplier, call the fire department.

This appliance must be properly installed and serviced by a qualified installer, service agency or gas supplier and grounded by a qualified technician.

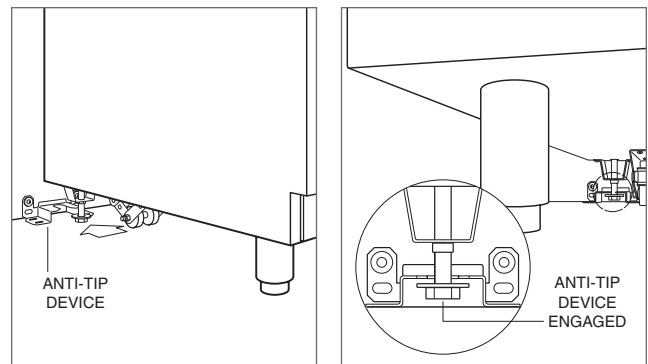
⚠ WARNING

A child or adult can tip this appliance and be killed.

Verify the anti-tip device has been properly installed and engaged. Ensure the anti-tip device is re-engaged when this appliance is moved. Refer to the illustrations below for how to verify correct installation.

To reduce the risk of burns, do not move this appliance while hot.

Do not operate this appliance without the anti-tip device in place and engaged. Failure to do so can result in death or serious burns to children or adults.



Anti-tip device location

Anti-tip device engaged

GENERAL SAFETY PRECAUTIONS

- Read this guide carefully before using this appliance to reduce risk of fire, electric shock or injury.
- Before performing service, shut off gas supply by closing the gas shut-off valve and shut off electricity to this appliance.
- Keep appliance area clear and free from combustible material.

GENERAL SAFETY PRECAUTIONS

- For safety when cooking, set burner controls so flame does not extend beyond the bottom of pan.
- **IMPORTANT:** Do not install a ventilation system that blows air downward toward this gas cooking appliance. This type of ventilation system may cause ignition and combustion problems with this gas cooking appliance resulting in personal injury or unintended operation.

IMPORTANT INSTRUCTIONS

GENERAL SAFETY PRECAUTIONS

- Do not use aluminum foil to line any part of this appliance.
- Never use this appliance to warm or heat the room. Doing so may result in carbon monoxide poisoning.
- Be sure the oven cool air intake (above the door) and oven exhaust vent (below the door) are unobstructed at all times.
- Wear proper apparel. Loose-fitting or hanging garments should never be worn while using this appliance.
- Use extreme caution when moving a grease kettle or disposing of hot grease.
- Always use dry pot holders when removing pans from this appliance. Wet or damp pot holders can cause steam burns. Do not use a towel or bulky cloth in place of pot holders.
- Clean only those parts listed in this guide.
- Exercise caution when opening oven door. Let hot air or steam escape before looking or reaching into oven.
- Position oven racks in desired locations when oven is cool. If a rack must be repositioned after the oven is already hot, be sure pot holder does not contact a hot heating element in the oven.
- Do not repair or replace any part of this appliance unless specifically recommended in literature accompanying this appliance.
- Do not obstruct the flow of air to ensure proper combustion and ventilation.
- When using this appliance, do not touch grates, burner caps, burner bases or any other parts in proximity to the flame. These components may be hot enough to cause burns.
- Do not clean oven gasket; rubbing or moving the gasket may compromise the door seal.
- Do not leave children alone or unattended in the area where this appliance is in use. Never allow children to sit or stand on the appliance.
- Do not store items of interest to children above or at the back of this appliance, as they could climb on the appliance to reach items and be injured.
- Do not use water on grease fires. Smother the flame or use a dry chemical or foam-type extinguisher.
- Never leave this appliance unattended when in use. Boilovers and greasy spills may smoke or ignite.
- Do not heat unopened food containers, such as baby food jars and cans. Pressure build-up may cause the container to burst and cause injury.
- Do not store flammable materials near burners or let grease or other flammable substances accumulate on this appliance.

⚠ WARNING

PROPOSITION 65 FOR CALIFORNIA RESIDENTS

Cancer and Reproductive Harm—
www.P65Warnings.ca.gov

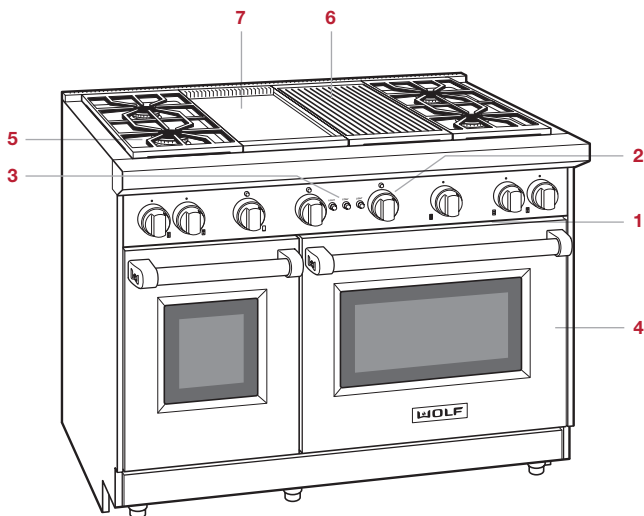
COMMONWEALTH OF MASSACHUSETTS

- Installations and repairs must be performed by a qualified or licensed contractor, plumber or gas fitter, qualified or licensed by the state, province or region where this appliance is being installed.
- Use only gas shut-off valves approved for use within the state, province or region where this appliance is being installed.
- A flexible gas connector, when used, must not exceed 3' (.9 m).

Gas Range Features

FEATURES

| | |
|---|---------------------------------|
| 1 | Product Rating Plate |
| 2 | Oven Control Knob |
| 3 | Convection Fan and Lights |
| 4 | Convection Oven |
| 5 | Surface Burner |
| 6 | Optional Charbroiler |
| 7 | Optional Griddle |
| 8 | Optional French Top (not shown) |



48" gas range shown

Getting Started

We know you are eager to start cooking, but before you do, please take some time to read this use & care guide. Whether you are an occasional cook or an expert chef, it will be to your benefit to familiarize yourself with the safety practices, features, operation and care recommendations of your Wolf gas range.

- Clean the range thoroughly with hot water and mild detergent. Rinse and dry with a soft cloth to remove any residual oil and grease left from the manufacturing process. Refer to care recommendations on page 13.
- Verify surface burner components are assembled correctly.
- Optional charbroiler, griddle and French top require special attention. Refer to pages 10–12.

⚠ CAUTION

Do not place cookware on oven floor or use aluminum foil or other material to line oven floor or side walls. Failure to adhere to this notice will damage the porcelain interior and will void your warranty.

Accessories

Bake stone and dehydration kits and other accessories are available through an authorized Wolf dealer. For local dealer information, visit the find a showroom section of our website, wolfappliance.com.

OVEN OPERATION

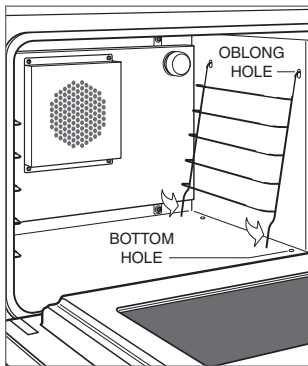
Oven Racks

OVEN RACK GUIDES

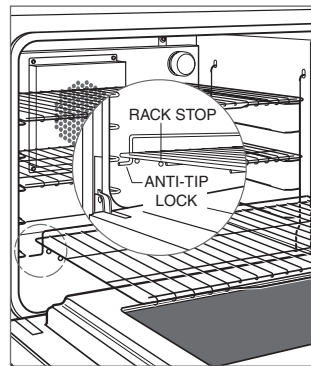
To insert the rack guides, place the guide into the oblong holes on the oven side walls. Rotate the bottom of the rack guide inward then lower into the bottom holes on the oven floor. Refer to the illustration below.

OVEN RACKS

To insert a rack in the oven, place the rack anti-tip lock under the side rack guide rails. Slide the rack back and lift up to clear the rack stops. Continue to slide the rack back until completely inside the oven. Refer to the illustration below.



Oven rack guides



Oven rack anti-tip lock

Oven Operation

PRIOR TO USE

To ensure all residual oil from the manufacturing process has been removed, each oven must go through the following procedure.

- 1 Clean oven thoroughly with hot water and a mild detergent. Rinse and dry with a soft cloth.
- 2 Turn on ventilation. Some smoke and odor is normal.
- 3 Set oven to BAKE 500°F (260°C) and allow oven to heat for 30 minutes.
- 4 Set oven temperature to BROIL for an additional 30 minutes.
- 5 Turn oven off and allow it to cool with the door closed.

Oven Operation

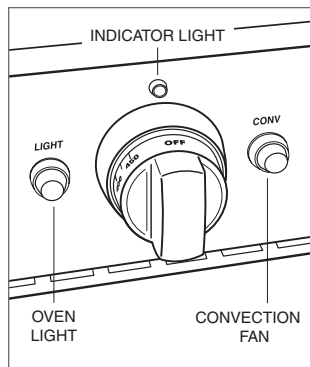
BAKE

To set the oven temperature, press and turn the oven control knob counterclockwise to the desired temperature. The oven indicator light illuminates and preheat begins. Once preheat is complete, the oven indicator light is no longer illuminated. The light will cycle on and off as more heat is required to maintain set temperature. Refer to the illustration below.

To utilize convection, press the convection fan button.

Convection cooking is preferred for tender cuts of meat and poultry, air-leavened baked foods, breads, cakes and cookies. For best results, cook foods uncovered in low-sided pans. Standard cooking is best for less tender cuts of meat that should be covered, covered one-dish recipes and pizzas.

To turn the oven light on, press the light button.



Oven control knob

BROIL

The convection oven has an infrared broiler that cooks food by searing the exterior and sealing in juices. Rack position affects doneness.

To broil, place the rack in the appropriate position. Push and turn the control knob counterclockwise to BROIL. Do not preheat. Always use the two-piece broiler pan supplied with the range and broil with the oven door closed.

Sabbath

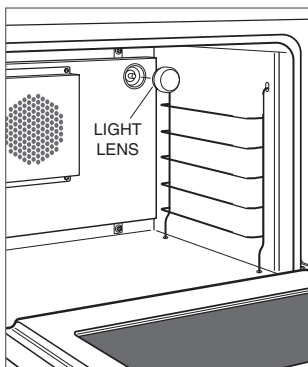
This appliance is certified by Star-K to meet strict religious regulations in conjunction with specific instructions found on www.star-k.org.

Oven Light

⚠ WARNING

Verify power is disconnected from the electrical box before replacing the light bulb.

Allow the oven to cool completely, then unscrew the light lens and remove the light bulb by unscrewing it from the socket. Replace with a 40-watt halogen bulb. Refer to the illustration below.



Light bulb replacement

Surface Burners

The dual-stacked burner design combines all burner parts in one assembly. The burner cap must be seated flatly on the burner. Refer to the illustration below.

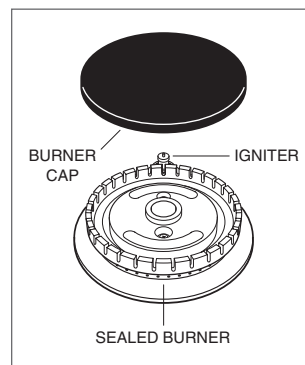
To light a burner, push and turn the corresponding control knob counterclockwise to HI. The igniter will begin to click until the burner is lit. Once lit, continue to turn the knob counterclockwise to desired setting.

To select a simmer setting, turn the control knob to the detent at the lowest setting. Push and continue to turn counterclockwise. The flame will transition to the second tier on the burner cap. Continue to turn the knob to desired simmer setting.

During a power outage, surface burners can be lit manually. Turn the knob to HI and light using a multi-purpose lighter.

⚠ CAUTION

Never leave pans on a high setting unattended. Be careful when cooking food in fat or grease; it can become hot enough to ignite.



Dual-stacked burner

Infrared Charbroiler

The charbroiler has an infrared burner that transfers intense heat to food, searing the outside to seal in juices. Cook food directly on the charbroiler grate, do not use cookware.

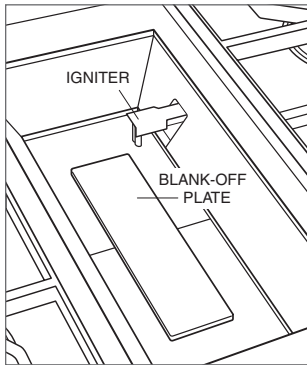
For optimal performance of the charbroiler and provide even cooking, install the blank-off plate provided with the range.

Assemble charbroiler:

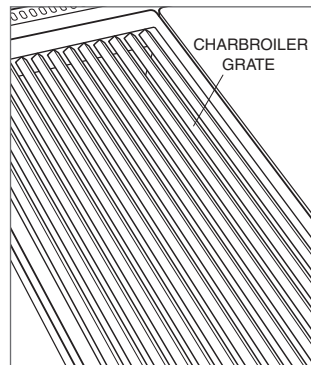
- 1 To assemble, position charbroiler frame on the range.
- 2 Position blank-off plate centered directly on ceramic tiles. Refer to the illustration below.
- 3 Install charbroiler grate. Refer to the illustration below.

CAUTION

Use care when assembling the charbroiler to avoid contact with the igniter.



Blank-off plate



Charbroiler grate

CHARBROILER OPERATION

The stainless steel cover must be removed prior to operation.

- 1 Turn on ventilation.
- 2 Push and turn control knob counterclockwise to HI. Igniter will begin to click until burner is lit.
- 3 Allow to preheat for 10 minutes.

CHARBROILER CARE

- After cooking is complete, allow the charbroiler to remain on for 10 minutes. High heat will help burn off excess food particles.
- When cool, remove the grate and place in the sink. Cover with wet dish towels and pour hot water over it to help loosen residue. Clean with soap and a scouring pad. Rinse and dry.
- To clean the frame, remove and place in the sink. Soak in hot water and mild detergent. Wash thoroughly and scrub with a scouring pad.
- To clean the blank-off plate, remove and use a soap-filled scouring pad to remove residue. Clean with hot water and mild detergent.

Infrared Griddle

The griddle is thermostatically controlled to maintain a consistent temperature. To prevent food from sticking, it is necessary to “season” the griddle prior to use.

Season griddle:

- 1 The griddle has a protective coating that must be removed before use. Use hot water and mild detergent to remove. Rinse and dry.
- 2 Turn on ventilation.
- 3 Push and turn control knob counterclockwise to 350°F (175°C) and heat for 30 minutes. After 30 minutes, turn knob to OFF and allow to cool.
- 4 While surface is slightly warm, pour a small amount of peanut or vegetable oil on a paper towel and spread evenly.
- 5 Push and turn control knob to 350°F (175°C). Heat until griddle begins to smoke, then turn knob to OFF and allow to cool. Once cool, wipe off any excess oil.

GRIDDLE OPERATION

The stainless steel cover must be removed prior to operation.

- 1 Turn on ventilation.
- 2 Push and turn control knob counterclockwise to desired temperature. Igniter will begin to click until burner is lit. Double griddle has separate controls for each side.
- 3 Indicator light above the knob illuminates until griddle reaches set temperature. The light will cycle on and off as more heat is required to maintain set temperature.

GRIDDLE CARE

- Scrape grease into the grease collection tray after each use. When the surface has cooled, wipe with a paper towel to remove excess grease or oil.
- After each use, reapply a small amount of peanut or vegetable oil on a paper towel and spread evenly.
- Occasionally, remove seasoning. Pour 1/2 cup (120 ml) warm water and 1 teaspoon (5 ml) griddle cleaner onto the griddle and scrape residue into the grease collection tray, then empty. When dry, reapply a small amount of oil for seasoning.

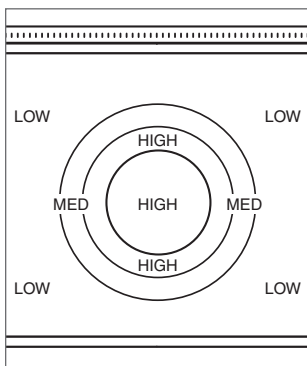
French Top

The French top is a graduated cooking surface with the highest temperature under the center plate. Always use cookware, do not cook food directly on the surface. For higher cooking heat, place cookware closer to the center and for lower heat, closer to the edges. Refer to the illustration below.

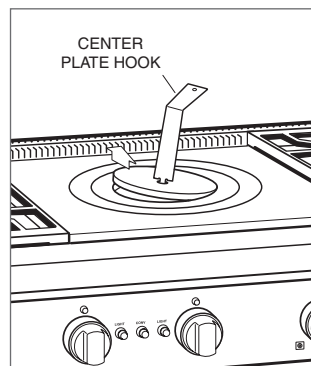
To protect the surface from food splatters and moisture, it is necessary to “season” the French top prior to use.

Season French top:

- 1 The French top has a protective coating that must be removed before use. Use hot water and mild detergent to remove. Rinse and dry.
- 2 Turn on ventilation.
- 3 Push and turn control knob counterclockwise to HI and heat for 30 minutes. After 30 minutes, turn knob to OFF and allow to cool.
- 4 While surface is slightly warm, pour a small amount of peanut or vegetable oil on a paper towel and spread evenly.



French top heating zones



Center plate removal

FRENCH TOP OPERATION

The stainless steel cover must be removed prior to operation.

- 1 Turn on ventilation.
- 2 Push and turn control knob counterclockwise to HI. Igniter will begin to click until burner is lit.
- 3 Allow to preheat for 30 minutes.

⚠ CAUTION

Never leave pans on a high heat zone unattended. Be careful when cooking food in fat or grease; it can become hot enough to ignite.

FRENCH TOP CARE

- Clean the entire surface after each use while slightly warm. Wipe with mild detergent and water. Rinse and dry.
- After each use, reapply a small amount of peanut or vegetable oil on a paper towel and spread evenly.
- Occasionally, remove seasoning. Apply a small amount of white vinegar and water to the surface while slightly warm. Scrub and repeat until excess oil has been removed. Reapply a small amount of oil for seasoning.
- The French top burner is located below the center plate. To remove, use the center plate hook supplied with the range as shown in the illustration. Never remove the center plate while cooking.

Care Recommendations

CLEANING

| | |
|---|--|
| Stainless steel | Use a nonabrasive stainless steel cleaner and apply with a soft lint-free cloth. To bring out the natural luster, lightly wipe surface with a water-dampened microfiber cloth followed by a dry polishing chamois. Always follow the grain of stainless steel. |
| Burner grates Oven rack guides | Remove and place on a flat surface near the sink. Clean with hot water and mild detergent or paste of baking soda and water. Do not immerse in water. Towel dry. |
| Burner pan | Remove surface debris before cleaning to help speed up the cleaning process and decrease the chance of scratching the surface during cleaning. Using mild abrasive cleaners or spray degreasers, clean and rinse the surface and dry immediately to avoid streaking. To clean hard water stains, use white vinegar and water. Rinse and dry immediately. |
| Surface burners | Allow to cool. Use mild detergent or spray degreaser to clean. Rinse with water and towel dry. |
| Charbroiler Griddle French top | Refer to pages 10–12 for care recommendations. |
| Control knobs Bezels | Using a damp cloth, wipe with a mild detergent or spray degreaser; rinse and dry. Do not place in dishwasher. |
| Oven interior | Use mild abrasive cleaners, spray degreasers. Use a razor blade to gently lift baked on foods from oven cavity and window. For stubborn stains, spray with a mild abrasive cleaner or spray degreaser. Wash the entire oven cavity with soap and water to remove all cleaning chemicals. |
| Broiler pan | To clean the upper rack, use mild detergent and a scouring pad. Rinse and dry. To clean the bottom pan, discard grease and wash with hot water and mild detergent. Rinse and dry. The stainless steel upper rack is dishwasher safe, however, do not place any porcelain-coated rack or pan in dishwasher. |

Troubleshooting

OPERATION

Range does not operate.

- Verify power is on.
- Verify electrical power to range and home circuit breaker is on.

OVEN

Oven temperature issue.

- Contact Wolf customer care at 800-222-7820 for recommendations.

Oven 'pops' or 'bangs' during preheat or cool down.

- Normal with new oven cavity expansion and contraction.
- If it persists, contact Wolf customer care at 800-222-7820.

RANGE SURFACE

Erratic flame, poor ignition or no ignition.

- Verify burner caps are positioned properly.
- Clean burner and igniter properly.
- If water spilled over recently, let area dry completely. Use hair dryer, if desired.
- If burner cap secures to burner head, verify it is tightly fastened.
- Push in knob, then release. Verify knob springs back.

Charbroiler clicks continually.

- Verify knob is set fully at HI.

Oven or griddle indicator light flashes.

- Turn knob off, then back on. Flame was lost and unit entered safety lock-out mode.

SERVICE

- Maintain the quality built into your product by contacting Wolf Factory Certified Service. For the name of the nearest Wolf Factory Certified Service, check the contact & support section of our website, wolfappliance.com or call Wolf customer care at 800-222-7820.
- When contacting service, you will need the model and serial number of your product. Both numbers are listed on the product rating plate. Refer to page 6 for rating plate location.
- For warranty purposes, you will also need the date of installation and name of your authorized Wolf dealer. This information should be recorded on page 3 of this guide.

Wolf Appliance Residential Limited Warranty

FOR RESIDENTIAL USE

FULL TWO YEAR WARRANTY*

For two years from the date of original installation, this Wolf Appliance product warranty covers all parts and labor to repair or replace, under normal residential use, any part of the product that proves to be defective in materials or workmanship. All service provided by Wolf Appliance under the above warranty must be performed by Wolf factory certified service, unless otherwise specified by Wolf Appliance, Inc. Service will be provided during normal business hours.

LIMITED FIVE YEAR WARRANTY

For five years from the date of original installation, Wolf Appliance will repair or replace the following parts that prove to be defective in materials or workmanship: gas burners (excludes appearance), electric heating elements, blower motors (ventilation hoods), electronic control boards, magnetron tubes and induction generators. If the owner uses Wolf factory certified service, the service provider will repair or replace these parts with the owner paying for all other costs, including labor. If the owner uses non-certified service, the owner must contact Wolf Appliance, Inc. (using the information below) to receive repaired or replacement parts. Wolf Appliance will not reimburse the owner for parts purchased from non-certified service or other sources.

TERMS APPLICABLE TO EACH WARRANTY

The warranty applies only to products installed for normal residential use. The warranty applies only to products installed in any one of the fifty states of the United States, the District of Columbia or the ten provinces of Canada. This warranty does not cover any parts or labor to correct any defect caused by negligence, accident or improper use, maintenance, installation, service or repair.

THE REMEDIES DESCRIBED ABOVE FOR EACH WARRANTY ARE THE ONLY ONES THAT WOLF APPLIANCE, INC. WILL PROVIDE, EITHER UNDER THIS WARRANTY OR UNDER ANY WARRANTY ARISING BY OPERATION OF LAW. WOLF APPLIANCE, INC. WILL NOT BE RESPONSIBLE FOR ANY CONSEQUENTIAL OR INCIDENTAL DAMAGES ARISING FROM THE BREACH OF THIS WARRANTY OR ANY OTHER WARRANTY, WHETHER EXPRESS, IMPLIED OR STATUTORY.

Some states do not allow the exclusion or limitation of incidental or consequential damages, so the above limitation or exclusion may not apply to you. This warranty gives you specific legal rights and you may also have other legal rights that vary from state to state.

To receive parts and/or service and the name of Wolf factory certified service nearest you, contact Wolf Appliance, Inc., P.O. Box 44848, Madison, WI 53744; check the contact & support section of our website, wolfappliance.com, email us at customerservice@subzero.com or call 800-222-7820.

*Stainless steel (doors, panels, handles, product frames and interior surfaces) are covered by a limited 60-day parts and labor warranty for cosmetic defects.

*Replacement filters for ventilation hood recirculating kits are not covered by the product warranty.



Contenido

- 4 Precauciones de seguridad
- 6 Funciones de la estufa de gas
- 7 Funcionamiento del horno
- 9 Funcionamiento de la superficie
- 13 Recomendaciones sobre el cuidado
- 14 Resolución de problemas
- 15 Garantía de Wolf

Atención al cliente

El modelo y número de serie están impresos en la tarjeta de registro del producto adjunta. Los dos números también aparecen en la placa de datos del producto. Consulte la página 6 para encontrar la placa de datos. Para fines de la garantía, usted también necesitará la fecha de instalación y el nombre de su distribuidor autorizado de Wolf. Anote esta información abajo para referencia futura.

INFORMACIÓN PARA SERVICIO

Número de modelo

Número de serie

Fecha de instalación

Nombre de servicio certificado

Número de servicio certificado

Distribuidor autorizado

Número de distribuidor

Si su producto alguna vez necesita servicio asegúrese de usar un proveedor de servicios certificado por Wolf y recomendado por nuestro centro de atención al cliente, o seleccione uno de nuestra lista de proveedores en wolfappliance.com/locator. Todos los proveedores de los centros de servicio autorizados han sido cuidadosamente seleccionados y entrenados a fondo por nosotros.

Aviso importante

Para garantizar que este producto se instale y opere de la forma más segura y eficiente posible, tome nota de los siguientes tipos de información resaltada en esta guía:

AVISO IMPORTANTE señala la información que es especialmente importante.

PRECAUCIÓN indica una situación en la que se pueden sufrir heridas leves o provocar daños al producto si no se siguen las instrucciones.

ADVERTENCIA indica peligro de que se produzcan heridas graves o incluso la muerte si no se siguen las precauciones.

AVISO IMPORTANTE: en toda esta guía, las dimensiones entre paréntesis son milímetros, a menos que se especifique lo contrario.

INSTRUCCIONES IMPORTANTES

⚠ ADVERTENCIA

Si no se sigue la información de esta guía al pie de la letra se puede provocar un incendio o una explosión, y causar daños a la propiedad, lesiones personales o incluso la muerte.

No almacene ni utilice gasolina u otros vapores o líquidos ignífugos en las proximidades de este o cualquier otro electrodoméstico.

QUÉ HACER SI PERCIBE OLOR A GAS:

- No intente encender ningún electrodoméstico.
- No toque ningún interruptor eléctrico.
- No utilice ningún teléfono en su edificio.
- Llame inmediatamente a su proveedor de gas desde el teléfono de un vecino. Siga las instrucciones del proveedor de gas.
- Si no puede contactar a su proveedor de gas, llame al departamento de bomberos.

Este electrodoméstico debe ser instalado y reparado por un técnico calificado, una agencia de servicio o un proveedor de gas y conectado a tierra por un técnico calificado.

PRECAUCIONES GENERALES DE SEGURIDAD

- Lea este manual con atención antes de utilizar este electrodoméstico para reducir el riesgo de incendio, descarga eléctrica o lesiones.
- Antes de dar servicio, cierre el suministro de gas mediante la llave de paso de gas y desconecte el electrodoméstico de la corriente eléctrica.
- Mantenga el área del electrodoméstico limpia y libre de materiales combustibles.

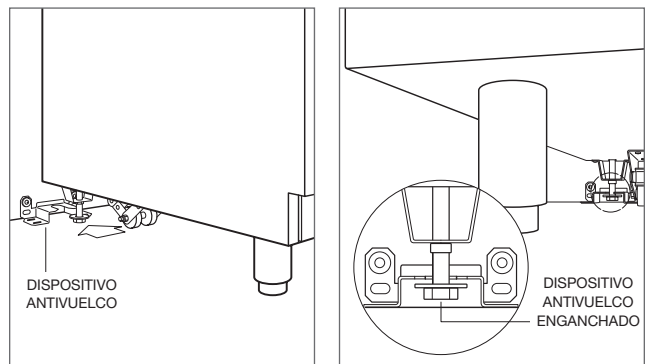
⚠ ADVERTENCIA

Si un niño o un adulto jalan el electrodoméstico este puede volcarse y causarles la muerte.

Compruebe que el dispositivo antivuelco haya sido instalado y esté enganchado correctamente. Asegúrese de volver a enganchar el dispositivo antivuelco después de cambiar el electrodoméstico de lugar. Consulte las ilustraciones siguientes para saber cómo comprobar su instalación correcta.

Para reducir el riesgo de quemaduras, no mueva el electrodoméstico mientras está caliente.

No opere este electrodoméstico sin el dispositivo antivuelco en posición y enganchado. No seguir esta instrucción puede resultar en la muerte o en graves quemaduras en niños o adultos.



Ubicación del dispositivo antivuelco

Dispositivo antivuelco enganchado

PRECAUCIONES GENERALES DE SEGURIDAD

- Para mayor seguridad al cocinar, programe los controles del quemador de manera que la llama no se extienda más allá del fondo de la sartén.
- **IMPORTANTE:** no instale un sistema de ventilación que sople aire hacia abajo en dirección al aparato de cocción de gas. Este tipo de sistema de ventilación puede ocasionar problemas de ignición y combustión con este aparato de cocción de gas y causar lesiones personales o funcionamiento accidental.

INSTRUCCIONES IMPORTANTES

PRECAUCIONES GENERALES DE SEGURIDAD

- No utilice papel de aluminio para forrar ninguna parte de este electrodoméstico.
- Nunca utilice este electrodoméstico para entibiar o calentar la habitación. Hacerlo puede resultar en intoxicación por monóxido de carbono.
- Asegúrese de que la entrada de aire fresco del horno (arriba de la puerta) y la rejilla de ventilación del horno (abajo de la puerta) estén libres de obstáculos en todo momento.
- Utilice ropa adecuada. Nunca debe utilizar ropa holgada ni con aplicaciones sueltas al utilizar este electrodoméstico.
- Tenga mucho cuidado al mover un hervidor con grasa o desechar la grasa caliente.
- Utilice siempre guantes de cocina secos al retirar las cacerolas de este electrodoméstico. Los guantes de cocina húmedos o mojados pueden provocar quemaduras por vapor. No utilice una toalla ni un paño voluminoso en lugar de los guantes de cocina.
- Limpie solamente las partes enumeradas en este manual.
- Tenga cuidado al abrir la puerta del horno. Deje salir el aire caliente o el vapor antes de mirar o meter las manos dentro del horno.
- Coloque las rejillas del horno a la altura deseada cuando el horno esté frío. Si debe cambiar una rejilla de posición cuando el horno esté caliente, asegúrese de que el guante de cocina no entre en contacto con un elemento calefactor caliente al interior del horno.
- No intente reparar ni cambiar parte alguna de este electrodoméstico a menos que esté específicamente recomendado en la documentación que acompaña a este electrodoméstico.
- No obstruya el flujo de aire para asegurar una combustión y ventilación adecuadas.
- Cuando utilice este electrodoméstico, no toque las rejillas, las tapas de los quemadores, las bases de los quemadores o cualquier otra parte en proximidad a la llama. Estos componentes pueden estar lo suficientemente calientes como para causar quemaduras.
- No limpie el empaque del horno, ya que frotar o mover el empaque puede comprometer el sello de la puerta.
- No deje a los niños menores solos ni desatendidos en el área donde se utiliza este electrodoméstico. Nunca permita que los niños se sienten o paren sobre el electrodoméstico.
- No almacene artículos que puedan llamar la atención de niños menores arriba o detrás de este electrodoméstico, ya que podrían subirse al electrodoméstico para alcanzar los objetos y sufrir lesiones.
- No utilice agua en incendios causados por grasas. Sofoque el fuego o utilice extinguidor químico seco o de espuma.
- Nunca deje este electrodoméstico desatendido cuando se encuentre en uso. El rebosamiento por ebullición y los derrames de grasa pueden generar humo o incendiarse.
- No caliente recipientes de comida cerrados, como frascos de alimentos para bebés o enlatados. La acumulación de presión puede hacer que el recipiente explote y cause lesiones.
- No almacene materiales ignífugos cerca de los quemadores y tampoco permita la acumulación de grasa u otras sustancias ignífugas en este electrodoméstico.

⚠ ADVERTENCIA

PROPUESTA 65 PARA RESIDENTES DE CALIFORNIA

Cáncer y Daño Reproductivo—
www.P65Warnings.ca.gov

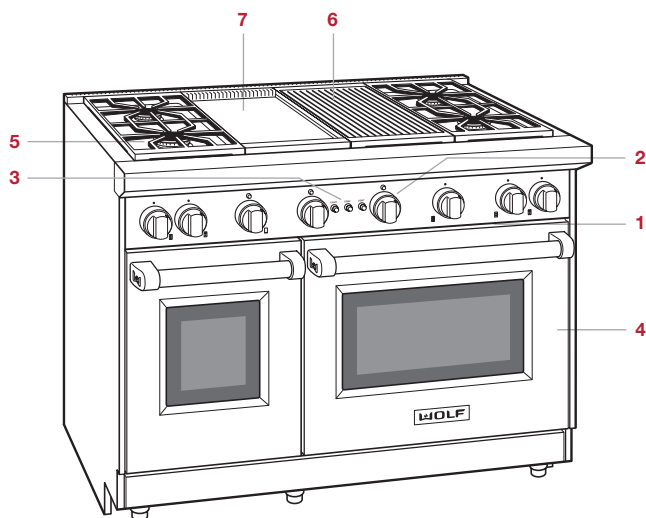
MANCOMUNIDAD DE MASSACHUSETTS

- Las instalaciones y reparaciones deben ser realizadas por un contratista, plomero o un instalador de gas autorizado o calificado por el estado, la provincia o región donde se va a instalar este electrodoméstico.
- Utilice únicamente llaves de paso para gas aprobadas para su uso dentro del estado, provincia o región donde se va a instalar este electrodoméstico.
- Un conector de gas flexible, cuando se utilice, no debe sobrepasar 3' (.9 m).

Funciones de las estufas de gas

CARACTERÍSTICAS

| | |
|---|--|
| 1 | Placa de datos del producto |
| 2 | Perilla de control del horno |
| 3 | Ventilador de convección y luces |
| 4 | Horno de convección |
| 5 | Quemador superior |
| 6 | Parrilla opcional |
| 7 | Plancha opcional |
| 8 | Encimera francesa opcional (no representada) |



Representación de la estufa de gas de 48"

Primeros pasos

Sabemos que está ansioso por empezar a cocinar, pero antes de hacerlo, dedique un poco de tiempo a leer este manual de uso y cuidado. Si usted es un cocinero ocasional o un chef experto, se beneficiará de familiarizarse con las prácticas de seguridad, características, funcionamiento y recomendaciones de cuidado de su estufa de gas de Wolf.

- Limpie cuidadosamente la estufa con agua caliente y detergente suave. Enjuague y seque con un paño suave para eliminar los residuos de aceite y grasa residual que dejó el proceso de fabricación. Consulte las recomendaciones sobre el cuidado en la página 13.
- Compruebe que los componentes del quemador superior estén ensamblados correctamente.
- La parrilla, plancha y la encimera francesa opcionales requieren de atención especial. Consulte las páginas 10 a 12.

⚠ PRECAUCIÓN

No coloque utensilios de cocina sobre el piso del horno ni utilice papel de aluminio u otro material para recubrir el piso o las paredes laterales del horno. Si hace caso omiso de este aviso se dañará el interior de porcelana y se anulará la garantía.

Accesorios

Los kits de piedra para hornear y de deshidratación y otros accesorios están disponibles a través de un distribuidor autorizado de Wolf. Para obtener más información acerca de los distribuidores locales, visite la sección para encontrar una sala de exposición de nuestro sitio web, wolfappliance.com.

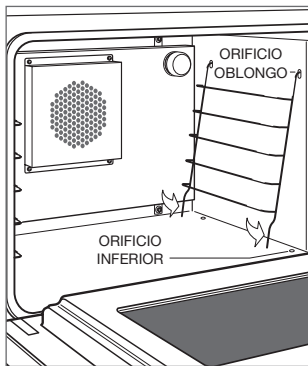
Rejillas del horno

GUÍAS DE LAS REJILLAS DEL HORNO

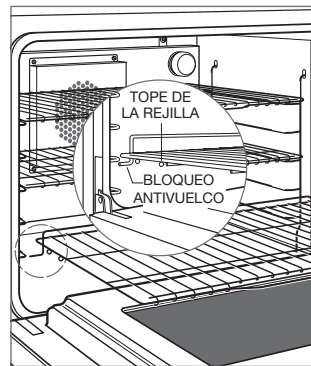
Para insertar las guías de la rejilla, coloque la guía en los orificios oblongos en las paredes laterales del horno. Gire la parte inferior de la guía de la rejilla hacia adentro y luego deslícela hacia el interior de los orificios que se encuentran en el piso del horno. Consulte la siguiente ilustración.

REJILLAS DEL HORNO

Para insertar una rejilla en el horno, coloque el bloqueo antivuelco de la rejilla debajo de los rieles laterales de la guía de la rejilla. Deslice la rejilla hacia atrás y levante para dejar libres los topes de la rejilla. Siga deslizando la rejilla hacia atrás hasta que esté completamente en el interior del horno. Consulte la siguiente ilustración.



Guías de las rejillas del horno



Bloqueo antivuelco para las rejillas del horno

Funcionamiento del horno

ANTES DE UTILIZARLO

Para asegurarse de que todo el aceite residual del proceso de fabricación se haya eliminado, cada horno tiene que pasar por el siguiente procedimiento.

- 1 Limpie cuidadosamente el horno con agua caliente y un detergente suave. Enjuague y seque con un paño suave.
- 2 Encienda la ventilación. La presencia de un poco de humo y olor es normal.
- 3 Ajuste el horno en BAKE a una temperatura de 500°F (260°C) y déjelo calentar por 30 minutos.
- 4 Ajuste la temperatura del horno en BROIL (ASAR) y déjelo otros 30 minutos.
- 5 Apague el horno y deje que enfríe con la puerta cerrada.

Funcionamiento del horno

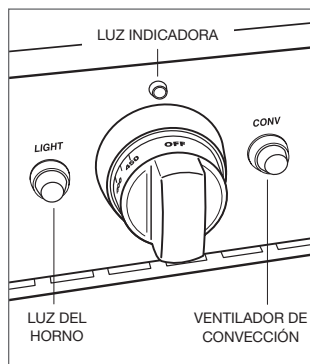
BAKE (HORNEAR)

Para ajustar la temperatura del horno, presione y gire la perilla de control en sentido opuesto a las manecillas del reloj hasta alcanzar la temperatura deseada. La luz indicadora del horno se ilumina y comienza el precalentamiento. Una vez que el precalentamiento está completo, la luz indicadora del horno deja de estar iluminada. La luz se encenderá y apagará por ciclos a medida que se necesita más calor para mantener la temperatura programada. Consulte la siguiente ilustración.

Para utilizar la convección, presione el botón del ventilador de convección.

La cocción por convección es la preferida para cortes tiernos de carne y aves, alimentos de levadura horneados, panes, pasteles y galletas. Para obtener mejores resultados, cocine los alimentos en recipientes descubiertos de bordes bajos. La cocción estándar es mejor para cortes menos tiernos de carne que deben ir cubiertos, recetas para un platillo cubierto y pizzas.

Para apagar la luz del horno, presione el botón de la luz. Consulte la siguiente ilustración.



Perilla de control del horno

BROIL (ASADO)

El horno de convección cuenta con un quemador infrarrojo que cuece los alimentos dorando el exterior y sellando los jugos dentro. La posición de la rejilla afecta el punto de cocción.

Para asar, coloque la rejilla en la posición apropiada. Presione y gire la perilla de control en sentido opuesto a las manecillas del reloj hasta llegar a BROIL (ASADO). No precaliente. Siempre utilice la parrilla de dos partes suministrada con la estufa y ase con la puerta del horno cerrada.

Sabbath

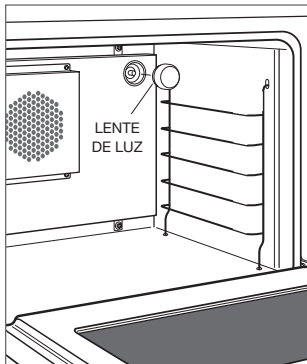
Este electrodoméstico lleva el certificado Star-K que indica que cumple con estrictas normas religiosas junto con instrucciones específicas que aparecen en www.star-k.org.

Luz del horno

⚠ ADVERTENCIA

Compruebe que la energía esté desconectada de la caja eléctrica antes de reemplazar el foco.

Para quitar el foco, deje que el horno enfríe completamente, a continuación desenrosque la lente de luz y desenrosque el foco del socket. Reemplácelo con un foco de halógeno de 40 vatios. Consulte la siguiente ilustración.



Reemplazo del foco

Quemadores superiores

El diseño de doble salida del quemador combina todas las piezas de un quemador en un solo conjunto. La tapa del quemador debe estar bien asentada sobre el quemador. Consulte la siguiente ilustración.

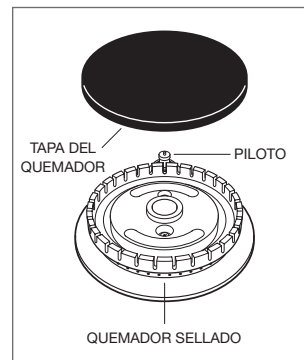
Para encender un quemador, empuje y gire la perilla de control correspondiente en sentido opuesto a las manecillas del reloj a HI (ALTO). El piloto comenzará a hacer clic hasta que se encienda el quemador. Una vez encendido, siga girando la perilla de control en sentido opuesto a las manecillas del reloj hasta llegar a la programación deseada.

Para seleccionar una programación a fuego lento, gire la perilla de control hasta que se detenga en la programación más baja. Pulse y siga girando en sentido opuesto a las manecillas del reloj. La llama pasará al segundo nivel en la tapa del quemador. Siga girando la perilla hasta llegar a la programación de fuego lento deseada.

Durante un corte de energía, los quemadores superiores se pueden encender manualmente. Gire la perilla a HI (ALTO) y encienda con un encendedor multiusos.

⚠ PRECAUCIÓN

Nunca deje desatendidas las cacerolas en una programación de alta temperatura. Tenga cuidado al cocinar los alimentos en grasa o aceite, estos pueden calentarse lo suficiente como para incendiarse.



Quemador de doble salida

Parrilla infrarroja

La parrilla tiene un quemador infrarrojo que transfiere un calor intenso a los alimentos, por lo que dora el exterior y sella los jugos dentro. Cocine los alimentos directamente sobre la rejilla de la parrilla, no utilice utensilios de cocina.

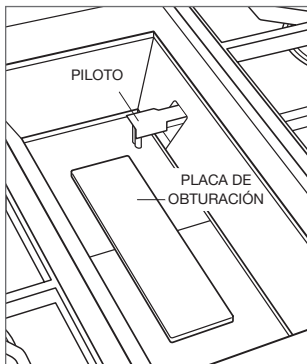
Para obtener un rendimiento óptimo de la parrilla y proporcionar una cocción uniforme, instale la placa de obturación proporcionada con la estufa.

Cómo ensamblar la parrilla:

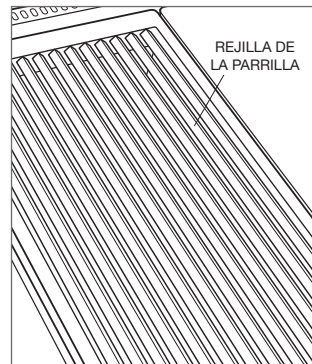
- 1 Para ensamblar, coloque el marco de la parrilla sobre la estufa.
- 2 Coloque la placa de obturación centrada directamente sobre las baldosas de cerámica. Consulte la siguiente ilustración.
- 3 Instale la rejilla de la parrilla. Consulte la siguiente ilustración.

⚠ PRECAUCIÓN

Tenga cuidado al ensamblar la parrilla para evitar el contacto con el piloto.



Placa de obturación



Rejilla de la parrilla

FUNCIONAMIENTO DE LA PARRILLA

La cubierta de acero inoxidable se debe retirar antes de utilizarla.

- 1 Encienda la ventilación.
- 2 Presione y gire la perilla de control en sentido opuesto a las manecillas del reloj hasta llegar a HI (ALTO). El piloto comenzará a hacer clic hasta que se encienda el quemador.
- 3 Deje que se caliente durante 10 minutos.

CUIDADO DE LA PARRILLA

- Una vez que termine de cocinar, deje encendida la parrilla durante 10 minutos. El fuego alto ayudará a quemar el exceso de partículas de alimentos.
- Una vez que la rejilla se enfríe, retírela y colóquela en el fregadero. Cúbrala con toallas de cocina húmedas y vierta agua sobre ella para aflojar los residuos. Limpie con jabón y una almohadilla abrasiva. Enjuague y seque.
- Para limpiar el marco, retírelo y colóquelo en el fregadero. Remójelo en agua caliente y detergente suave. Lávelo y frótelo con una almohadilla abrasiva.
- Para limpiar la placa de obturación, extraiga la placa y utilice una almohadilla abrasiva con jabón para eliminar los residuos. Lávela con agua caliente y detergente suave.

Plancha infrarroja

La plancha está controlada por termostato para mantener una temperatura constante. Para evitar que los alimentos se peguen, es necesario "preparar" la plancha antes de usarla.

Preparación de la plancha:

- 1 La plancha tiene una capa protectora que debe quitarse antes de usarla. Utilice agua caliente y detergente suave para quitarla. Enjuague y seque.
- 2 Encienda la ventilación.
- 3 Presione y gire la perilla de control en sentido opuesto a las manecillas del reloj hasta llegar a 350 °F (175 °C) y caliente durante 30 minutos. Una vez transcurridos los 30 minutos, APAGUE y deje enfriar.
- 4 Cuando la superficie esté ligeramente caliente, vierta una pequeña cantidad de aceite de maní o vegetal en una toalla de papel y extiéndala uniformemente.
- 5 Presione y gire la perilla de control a 350 °F (175 °C). Caliente hasta que la plancha empiece a sacar humo, luego APAGUE y deje enfriar. Una vez que enfríe, limpie el exceso de aceite.

FUNCIONAMIENTO DE LA PLANCHA

La cubierta de acero inoxidable se debe retirar antes de utilizarla.

- 1 Encienda la ventilación.
- 2 Presione y gire la perilla de control en sentido opuesto a las manecillas del reloj hasta alcanzar la temperatura deseada. El piloto comenzará a hacer clic hasta que se encienda el quemador. La plancha doble tiene controles independientes para cada lado.
- 3 La luz indicadora encima de la perilla se enciende hasta que la plancha alcanza la temperatura programada. La luz se encenderá y apagará por ciclos a medida que se necesita más calor para mantener la temperatura programada.

CUIDADO DE LA PLANCHA

- Raspe la grasa en la bandeja de recolección de grasa después de cada uso. Cuando la superficie se haya enfriado, límpiela con papel absorbente para retirar el exceso de grasa o aceite.
- Después de cada uso, vuelva a aplicar una pequeña cantidad de aceite de maní o vegetal en una toalla de papel y extiéndala uniformemente.
- De vez en cuando, retire la preparación. Vierta 1/2 taza (120 ml) de agua tibia y 1 cucharadita (5 ml) de limpiador para plancha sobre la plancha y raspe la grasa en la bandeja de recolección de grasa, y después vacíela. Una vez que esté seca, vuelva a aplicar una pequeña cantidad de aceite para prepararla.

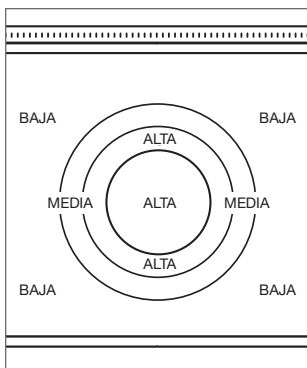
Encimera francesa

La encimera francesa (french top) es una superficie de cocción graduada con la temperatura más alta debajo de la placa central. Siempre utilice utensilios de cocina, no cocine los alimentos directamente sobre la superficie. Para más calor de cocción, coloque los utensilios más cerca del centro y para menos calor, más cerca de los bordes. Consulte la siguiente ilustración.

Para proteger la superficie contra las salpicaduras de alimentos y la humedad, es necesario "preparar" la encimera francesa antes de utilizarla.

Preparación de la encimera francesa:

- 1 La encimera francesa tiene una capa protectora que debe quitarse antes de su uso. Utilice agua caliente y detergente suave para quitarla. Enjuague y seque.
- 2 Encienda la ventilación.
- 3 Presione y gire la perilla de control en sentido opuesto a las manecillas del reloj hasta llegar a HI (ALTO) y caliente durante 30 minutos. Una vez transcurridos los 30 minutos, APAGUE y deje enfriar.
- 4 Cuando la superficie esté ligeramente caliente, vierta una pequeña cantidad de aceite de maní o vegetal en una toalla de papel y extienda uniformemente.



Zonas de calentamiento de la encimera francesa



Cómo extraer la placa central

FUNCIONAMIENTO DE LA ENCIMERA FRANCESA

La cubierta de acero inoxidable se debe retirar antes de utilizarla.

- 1 Encienda la ventilación.
- 2 Presione y gire la perilla de control en sentido opuesto a las manecillas del reloj hasta llegar a HI (ALTO). El piloto comenzará a hacer clic hasta que se encienda el quemador.
- 3 Deje que se caliente durante 30 minutos.

⚠ PRECAUCIÓN

Nunca deje cacerolas desatendidas en una zona de alta temperatura. Tenga cuidado al cocinar los alimentos en grasa o aceite, estos pueden calentarse lo suficiente como para incendiarse.

CUIDADO DE LA ENCIMERA FRANCESA

- Limpie toda la superficie después de cada uso cuando aún esté ligeramente caliente. Limpie con detergente suave y agua. Enjuague y seque.
- Después de cada uso, vuelva a aplicar una pequeña cantidad de aceite de maní o vegetal en una toalla de papel y extienda uniformemente.
- De vez en cuando, retire la preparación. Aplique una pequeña cantidad de vinagre blanco y agua a la superficie cuando aún se encuentre ligeramente caliente. Frote y repita hasta que haya retirado todo el exceso de aceite. Vuelva a aplicar una pequeña cantidad de aceite para prepararla.
- El quemador de la encimera francesa se encuentra debajo de la placa central. Para retirarlo, utilice el gancho de la placa central suministrado con la estufa tal y como se muestra en la ilustración. Nunca retire la placa central durante la cocción.

Recomendaciones sobre el cuidado

LIMPIEZA

| | |
|--|---|
| Acero inoxidable | Use un limpiador no abrasivo para acero inoxidable y aplique con un paño suave sin pelusa. Para resaltar el lustre natural, limpie suavemente la superficie con una tela de microfibra humedecida con agua, seguida con una gamuza para pulir en seco. Siempre siga la dirección del acabado del acero inoxidable. |
| Parrillas de quemadores Guías de las rejillas del horno | Retire y coloque sobre una superficie plana cerca del fregadero. Límpielas con agua caliente y un detergente suave o con pasta de bicarbonato de sodio y agua. No las sumerja en agua. Seque con una toalla. |
| Bandeja del quemador | Retire los desechos de la superficie antes de limpiarla para agilizar el proceso de limpieza y disminuir las posibilidades de rayar la superficie. Utilizando limpiadores ligeramente abrasivos o desengrasantes en aerosol, limpie y enjuague la superficie y séquela de inmediato para evitar que se raye. Utilice vinagre blanco y agua para limpiar las manchas ocasionadas por el agua con alto contenido de minerales. Enjuague y seque de inmediato. |
| Quemadores superiores | Deje enfriar. Límpielos con detergente suave o desengrasante en aerosol. Enjuague con agua y séquelos con una toalla. |
| Parrilla Plancha Encimera francesa | Consulte las páginas 10 a 12 para consultar las recomendaciones de cuidado. |
| Perillas de control Anillos | Utilizando un paño húmedo, límpielos con detergente suave o desengrasante en aerosol; enjuague y deje secar. No los coloque en el lavavajillas. |
| Interior del horno | Utilice limpiadores ligeramente abrasivos, desengrasantes en aerosol. Retire con un cuchillo los restos de alimentos adheridos a la cavidad y la puerta del horno. Para eliminar manchas difíciles, aplique un limpiador ligeramente abrasivo o desengrasante en aerosol. Lave la cavidad del horno con agua y jabón para eliminar todos los productos químicos de limpieza. |
| Parrilla para asar | Para limpiar la rejilla superior, utilice detergente suave y un estropajo. Enjuague y seque. Para limpiar la parrilla inferior, deseche la grasa y lave con agua caliente y detergente suave. Enjuague y seque. La rejilla superior de acero inoxidable puede lavarse en lavavajillas, sin embargo, no coloque ninguna rejilla o parrilla cubierta de porcelana en el lavavajillas. |

Resolución de problemas

OPERACIÓN

La estufa no funciona.

- Compruebe si la unidad está encendida.
- Compruebe que la alimentación eléctrica a la unidad y el interruptor de circuito de la casa estén encendidos.

HORNO

Problema con la temperatura del horno.

- Póngase en contacto con la línea de atención al cliente de Wolf al 800-222-7820 para obtener recomendaciones.

El horno hace "pop" o "bang" durante el precalentamiento o el enfriamiento.

- Eso es normal debido a la expansión y contracción de la nueva cavidad del horno.
- Si el problema persiste, comuníquese con la línea de atención al cliente de Wolf al 800-222-7820.

SUPERFICIE DE LA ESTUFA

Flama errática, encendido inadecuado o no enciende.

- Compruebe que las tapas de los quemadores estén colocadas correctamente.
- Limpie bien el quemador y el piloto.
- Si se derramó agua recientemente, deje que el área seque por completo. Utilice una secadora de cabello si así lo desea.
- Si la tapa del quemador se asegura a la cabeza del quemador, compruebe que esté bien sujeta.
- Empuje la perilla hacia adentro, luego suéltela. Compruebe que la perilla regrese a su posición original.

La parrilla hace clic continuamente.

- Compruebe que la perilla se encuentre completamente en HI (ALTO).

La luz indicadora del horno o de la parrilla parpadea.

- Apague la perilla y luego vuelva a encenderla. La llama se apagó y la unidad entró en modo de bloqueo de seguridad.

SERVICIO

- Para mantener la calidad incorporada en su producto, póngase en contacto con el servicio certificado de fábrica de Wolf. Para obtener los datos del centro de servicio autorizado de Wolf más cercano, eche un vistazo a la sección de contacto y servicio técnico en nuestro sitio web, wolfappliance.com o llame a la línea de atención al cliente de Wolf al 800-222-7820.
- Al comunicarse con el servicio, necesitará el modelo y número de serie de su producto. Los dos números también aparecen en la placa de datos del producto. Consulte la página 6 para encontrar la placa de datos.
- Para fines de la garantía, usted también necesitará la fecha de instalación y el nombre de su distribuidor autorizado de Wolf. Esta información debe estar registrada en la página 3 de este manual.

Garantía limitada residencial de Wolf Appliance

PARA USO RESIDENCIAL

GARANTÍA COMPLETA DE DOS AÑOS*

Durante dos años a partir de la fecha de la instalación original, la garantía de su producto Wolf Appliance cubre todas las partes y mano de obra para reparar o reemplazar, bajo el uso residencial normal, cualquier parte del producto que se compruebe estar defectuosa en material o mano de obra. Todos los servicios proporcionados por Wolf Appliance bajo la garantía anterior deben ser ejecutados por servicios certificados de fábrica de Wolf, a menos que Wolf Appliance, Inc. lo especifique de otra manera. El Servicio será proporcionado durante el horario comercial normal.

GARANTÍA LIMITADA DE CINCO AÑOS

Por cinco años a partir de la fecha de la instalación original, Wolf Appliance reparará o reemplazará los siguientes componentes que se comprueben estar defectuosos en material o mano de obra: quemadores de gas (excluyendo la apariencia), elementos eléctricos de calentamiento, motores de sopladores (campanas de ventilación), módulos de control eléctrico, tubos magnetrón y generadores de inducción. Si el propietario utiliza el servicio certificado de fábrica de Wolf, el prestador del servicio reparará o reemplazará estas partes mediante el pago de todos los otros costos, incluyendo mano de obra, a cargo del propietario. Si el propietario utiliza un servicio no certificado, debe ponerse en contacto con Wolf Appliance, Inc. (utilizando la información anotada más adelante) para recibir los componentes reparados o de reemplazo. Wolf Appliance no reembolsará al propietario los importes correspondientes a componentes comprados a un servicio no certificado o a otras fuentes.

TÉRMINOS APLICABLES A CADA GARANTÍA

La garantía se aplica solamente a los productos instalados para uso residencial normal. La garantía se aplica solamente a los productos instalados en cualquiera de los cincuenta estados de los Estados Unidos, el Distrito de Columbia o las diez provincias de Canadá. Esta garantía no cubre las partes o mano de obra para corregir cualquier defecto causado por negligencia, accidente o uso, mantenimiento, instalación, servicio o reparación inadecuados.

LOS RECURSOS DESCRITOS ANTERIORMENTE PARA CADA GARANTÍA SON LOS ÚNICOS QUE WOLF APPLIANCE, INC. PROPORCIONARÁ, YA SEA BAJO ESTA GARANTÍA O BAJO CUALQUIER GARANTÍA QUE RESULTE DE LA APLICACIÓN DE LA LEY. WOLF APPLIANCE, INC. NO SE HACE RESPONSABLE POR LOS DAÑOS INDIRECTOS O INCIDENTALES DERIVADOS DE LA VIOLACIÓN DE ESTA GARANTÍA O CUALQUIER OTRA GARANTÍA, YA SEA EXPRESA, IMPLÍCITA O LEGAL.

Algunos estados no permiten la exclusión o limitación de daños incidentales o consecuentes, por lo tanto la limitación o exclusión anterior podrían no aplicarse en su caso. Esta garantía le otorga derechos legales específicos, y usted también puede tener otros derechos legales que varían entre estados.

Para recibir las partes o el servicio y el nombre del servicio certificado de fábrica de Wolf más cercano a usted, póngase en contacto con Wolf Appliance, Inc., P.O. Box 44848, Madison, WI 53744; eche un vistazo a la sección de contacto y servicio técnico en nuestro sitio web, wolfappliance.com, envíenos un correo electrónico a customerservice@subzero.com o llame al 800-222-7820.

*Las puertas, paneles, manijas, estructuras de acero inoxidable y superficies internas están cubiertas por una garantía limitada de 60 días sobre piezas y mano de obra, por defectos cosméticos.

*Los filtros de repuesto para los kits de circulación de la campana de ventilación no están cubiertos por la garantía del producto.



Table des matières

- 4 Précautions de sécurité
- 6 Caractéristiques de la cuisinière au gaz
- 7 Fonctionnement du four
- 9 Fonctionnement de la surface
- 13 Conseils d'entretien
- 14 Dépannage
- 15 Garantie Wolf

Service à la clientèle

Le numéro de modèle et le numéro de série sont imprimés sur la fiche d'enregistrement du produit ci-jointe. Les deux numéros sont aussi indiqués sur la plaque signalétique du produit. Reportez-vous à la page 6 pour connaître l'emplacement de la plaque signalétique. Pour les besoins de la garantie, vous devrez aussi avoir la date d'installation et le nom de votre dépositaire Wolf autorisé. Inscrivez ces renseignements ci-dessous pour consultation ultérieure.

RENSEIGNEMENTS SUR LE SERVICE

Numéro de modèle

Numéro de série

Date de l'installation

Nom du service certifié

Numéro du service certifié

Dépositaire autorisé

Numéro du dépositaire

Si votre produit a besoin d'être réparé, assurez-vous d'utiliser un fournisseur de service certifié par l'usine Wolf recommandé par notre centre de service à la clientèle, ou sélectionnez-en un parmi la liste de fournisseurs disponibles à wolfappliance.com/locator. Tous les fournisseurs de service certifiés par l'usine sont soigneusement sélectionnés et rigoureusement formés par nous.

Remarque importante

Pour s'assurer que ce produit est installé et utilisé en toute sécurité et aussi efficacement que possible, prenez note des types de renseignement mis en évidence tout au long de ce guide :

REMARQUE IMPORTANTE met en évidence des renseignements qui sont particulièrement importants.

MISE EN GARDE indique une situation où une blessure mineure ou des dommages au produit peuvent se produire si les directives ne sont pas respectées.

AVERTISSEMENT décrit un danger qui peut causer une blessure grave ou la mort si les précautions ne sont pas respectées.

REMARQUE IMPORTANTE : tout au long de ce guide, les dimensions entre parenthèses sont en millimètres à moins d'indication contraire.

DIRECTIVES IMPORTANTES

▲ AVERTISSEMENT

Si les renseignements se trouvant dans ce manuel ne sont pas respectés à la lettre, un incendie ou une explosion peuvent se produire causant ainsi des dommages matériels, des blessures ou la mort.

Ne rangez pas et n'utilisez pas de l'essence ou d'autres vapeurs ou liquides inflammables à proximité de cet appareil ou de tout autre appareil.

QUOI FAIRE SI VOUS SENTEZ DU GAZ :

- Ne tentez pas d'allumer un appareil.
- Ne touchez pas aux commutateurs électriques.
- N'utilisez pas les téléphones se trouvant dans votre édifice.
- Communiquez immédiatement avec votre fournisseur de gaz en utilisant le téléphone d'un voisin. Suivez les directives du fournisseur de gaz.
- Si vous ne pouvez pas joindre votre fournisseur de gaz, communiquez avec les pompiers.

Cet appareil doit être correctement installé et réparé par un installateur qualifié, une agence de service ou un fournisseur de gaz et mis à la terre par un technicien qualifié.

PRÉCAUTIONS DE SÉCURITÉ GÉNÉRALE

- Lisez ce guide attentivement avant d'utiliser cet appareil afin de réduire le risque d'incendie, de choc électrique ou de blessures.
- Avant d'effectuer tout service, coupez l'alimentation en gaz en fermant le robinet d'arrêt du gaz et coupez l'alimentation en électricité vers l'appareil.
- Gardez la zone de l'appareil propre et libre de matériaux combustibles.

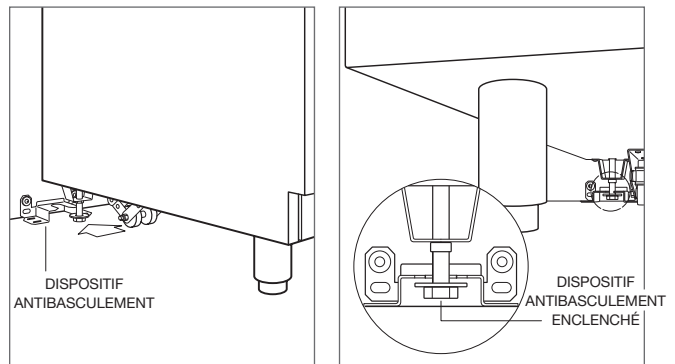
▲ AVERTISSEMENT

Un enfant ou un adulte peuvent faire basculer cet appareil et être tués.

Vérifiez que le dispositif antibasculement est correctement installé et enclenché. Assurez-vous que le dispositif antibasculement est enclenché à nouveau lorsque l'appareil est déplacé. Reportez-vous aux illustrations ci-dessous pour savoir comment vérifier l'installation.

Pour réduire le risque de brûlure, ne déplacez pas cet appareil lorsqu'il est chaud.

Ne faites pas fonctionner cet appareil sans que le dispositif antibasculement ne soit en place et enclenché. Le non-respect de cette directive peut entraîner la mort ou des brûlures graves aux enfants ou aux adultes.



Emplacement du dispositif antibasculement

Dispositif antibasculement enclenché

PRÉCAUTIONS DE SÉCURITÉ GÉNÉRALE

- Pour une question de sécurité lorsque vous cuisinez, réglez les commandes des brûleurs de manière à ce que la flamme ne se prolonge pas au-delà du fond du chaudron.
- **IMPORTANT** : n'installez pas un système de ventilation qui souffle de l'air vers le bas vers cet appareil de cuisson au gaz. Ce type de système de ventilation peut causer des problèmes d'allumage et de combustion avec cet appareil de cuisson au gaz, entraînant des blessures ou un fonctionnement non prévu.

DIRECTIVES IMPORTANTES

PRÉCAUTIONS DE SÉCURITÉ GÉNÉRALE

- N'utilisez pas du papier en aluminium pour couvrir toute partie de cet appareil.
- N'utilisez jamais cet appareil pour réchauffer ou chauffer la pièce. Cela peut causer un empoisonnement au monoxyde de carbone.
- Assurez-vous que l'admission d'air frais du four (au-dessus de la porte) et le conduit de sortie du four (sous la porte) soient dégagés en tout temps.
- Portez des vêtements appropriés. Des vêtements lâches ou pendants ne doivent jamais être portés pendant que vous utilisez cet appareil.
- Faites extrêmement attention lorsque vous déplacez une marmite de graisse ou jetez de la graisse chaude.
- Utilisez toujours des poignées sèches pour retirer les casseroles de cet appareil. Des poignées mouillées ou humides peuvent causer des brûlures de vapeur. N'utilisez pas une serviette ou un chiffon épais au lieu de poignées.
- Nettoyez seulement les pièces indiquées dans ce guide.
- Faites attention lorsque vous ouvrez la porte du four. Laissez l'air chaud ou la vapeur s'échapper avant de regarder ou de mettre les bras dans le four.
- Placez les grilles du four aux endroits désirés lorsque le four est froid. Si une grille doit être déplacée et que le four est déjà chaud, assurez-vous que les poignées n'entrent pas en contact avec l'élément chauffant du four.
- Ne réparez pas et ne remplacez pas toute pièce de cet appareil à moins que cela ne soit spécifiquement recommandé dans la documentation accompagnant l'appareil.
- Ne bloquez pas le débit d'air pour assurer une combustion et une ventilation appropriées.
- Lorsque vous utilisez cet appareil, ne touchez pas aux grilles, aux capuchons de brûleur, aux bases des brûleurs ou à toute autre partie à proximité de la flamme. Ces pièces peuvent être assez chaudes pour causer des brûlures.
- Ne nettoyez pas le joint du four; le frottement ou le déplacement du joint peuvent compromettre l'étanchéité de la porte.
- Ne laissez pas des enfants seuls ou sans surveillance dans la zone où cet appareil est utilisé. Ne laissez jamais des enfants s'asseoir ou se tenir debout sur l'appareil.
- Ne rangez pas des articles intéressants pour les enfants au-dessus ou à l'arrière de cet appareil puisqu'ils pourraient grimper sur l'appareil pour les atteindre et se blesser.
- N'utilisez pas de l'eau sur des incendies de graisse. Étouffez la flamme ou utilisez un extincteur à poudre chimique ou à mousse.
- Ne laissez jamais l'appareil sans surveillance lorsqu'il fonctionne. Les débordements par bouillonnement et les renversements de graisse peuvent créer de la fumée ou s'enflammer.
- Ne chauffez pas des contenants d'aliment non ouverts comme les pots et les boîtes de nourriture pour bébé. L'accumulation de pression peut faire éclater le contenant et causer des blessures.
- Ne rangez pas des matériaux inflammables près des brûleurs et ne laissez pas de la graisse ou d'autres substances inflammables s'accumuler sur l'appareil.

▲ AVERTISSEMENT

PROPOSITION 65 POUR RESIDENTS DE LA CALIFORNIE

Cancer et Troubles de l'appareil reproducteur—
www.P65Warnings.ca.gov

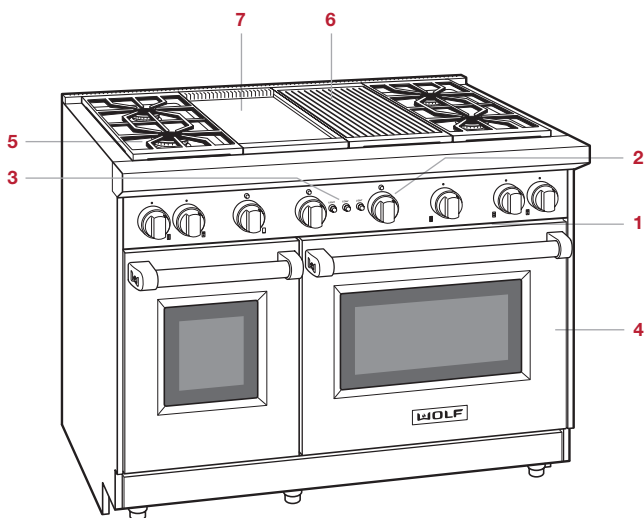
COMMONWEALTH DU MASSACHUSETTS

- Les installations et les réparations doivent être effectuées par un entrepreneur ou un plombier qualifié ou autorisé ou un monteur d'installation au gaz qualifié ou autorisé par l'État, la province ou la région où cet appareil sera installé.
- Utilisez seulement des robinets d'arrêt du gaz approuvés pour utilisation dans l'État, la province ou la région où cet appareil sera installé.
- Si un connecteur de gaz souple est utilisé, il ne doit pas dépasser 3 pi (0,9 m) de longueur.

Caractéristiques de la cuisinière au gaz

CARACTÉRISTIQUES

| | |
|---|--|
| 1 | Plaque signalétique du produit |
| 2 | Bouton de commande du four |
| 3 | Ventilateur de convection et lumières |
| 4 | Four à convection |
| 5 | Brûleur de surface |
| 6 | Grilloir type charbon de bois en option |
| 7 | Plaque à frire en option |
| 8 | Table de cuisson française en option (non illustrée) |



Cuisinière au gaz de 48 po illustrée

Comment commencer

Nous savons que vous êtes impatient de commencer à cuisiner, mais avant de le faire, veuillez prendre quelques instants pour lire ce guide d'utilisation et d'entretien. Que vous soyez un cuisinier occasionnel ou un chef expert, il vous sera bénéfique de vous familiariser avec les pratiques de sécurité, les caractéristiques, le fonctionnement et les recommandations d'entretien de votre cuisinière au gaz de Wolf.

- Nettoyez la cuisinière à fond avec de l'eau chaude et un détergent doux. Rincez et séchez avec un chiffon doux pour éliminer tous les résidus d'huile et de graisse laissés par le processus de fabrication. Reportez-vous aux recommandations d'entretien à la page 13.
- Vérifiez que les composants du brûleur en surface soient correctement assemblés.
- Le grilloir type charbon de bois, la plaque à frire et la table de cuisson française en option nécessitent une attention spéciale. Reportez-vous aux pages 10 à 12.

⚠ MISE EN GARDE

Ne placez pas des casseroles dans le fond du four et n'utilisez pas du papier d'aluminium ou d'autres matériaux pour couvrir le fond ou les parois du four. Le non-respect de cet avis endommagera l'intérieur en porcelaine et annulera votre garantie.

Accessoires

Des trousseaux pour pierre de cuisson et déshydratation et d'autres accessoires sont offerts par l'entremise des dépositaires autorisés. Pour obtenir des renseignements sur le dépositaire local, visitez la section salle d'exposition de notre site Web, wolfappliance.com.

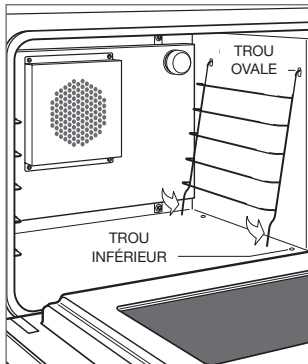
Grilles du four

GUIDES DES GRILLES DU FOUR

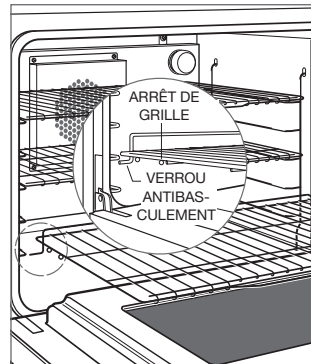
Pour insérer les guides de grille, placez le guide dans les trous ovales sur les parois latérales du four. Tournez la partie inférieure du guide de grille vers l'intérieur, puis abaissez dans les trous inférieurs dans le fond du four. Reportez-vous à l'illustration ci-dessous.

GRILLES DE FOUR

Pour insérer une grille dans le four, placez le verrou anti-basculement de la grille sous les rails latéraux du guide de grille. Glissez la grille vers l'arrière et soulevez-la pour contourner les arrêts de grille. Continuez à glisser la grille vers l'arrière jusqu'à ce qu'elle soit complètement à l'intérieur du four. Reportez-vous à l'illustration ci-dessous.



Guides de grille du four



Verrouillage antibasculement de grille du four

Fonctionnement du four

AVANT L'UTILISATION

Pour s'assurer que toute l'huile résiduelle du processus de fabrication ait été éliminée, chaque four doit subir la procédure suivante.

- 1 Nettoyez le four à fond avec de l'eau chaude et un détergent doux. Rincez et séchez avec un chiffon doux.
- 2 Mettez la ventilation en marche. Il est normal de voir de la fumée et de sentir une odeur.
- 3 Réglez le four à BAKE (cuisson) à 500°F (260°C) et laissez le four se réchauffer pendant 30 minutes.
- 4 Réglez la température du four à BROIL (grillage) pendant 30 minutes supplémentaires.
- 5 Éteignez le four et laissez-le se refroidir en gardant la porte fermée.

Fonctionnement du four

CUIRE

Pour régler la température du four, appuyez et tournez le bouton de commande du four dans le sens antihoraire jusqu'à la température désirée. Le voyant du four s'illumine et le préchauffage commence. Une fois le préchauffage terminé, le voyant lumineux du four n'est plus illuminé. Le voyant s'allumera et s'éteindra si de la chaleur supplémentaire est requise pour maintenir la température choisie. Reportez-vous à l'illustration ci-dessous.

Pour utiliser la fonction convection, enfoncez la bouton du ventilateur de convection.

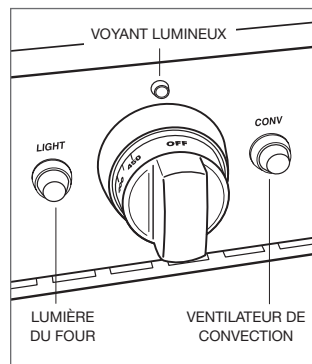
La cuisson par convection est préférée pour les coupes de viande tendres et la volaille, les aliments à l'air au levain, les pains, les gâteaux et les biscuits. Pour obtenir de meilleurs résultats, cuisez les aliments dans des moules à profil bas non couverts. La cuisson standard est préférable pour les coupes de viande moins tendres qui doivent être couvertes, les recettes à un seul plat couvert et les pizzas.

Pour allumer la lumière du four, appuyez sur le bouton de la lumière. Reportez-vous à l'illustration ci-dessous.

GRILLAGE

Le four à convection possède un grilleur infrarouge qui cuit les aliments en saisissant l'extérieur et en scellant les jus à l'intérieur. La position de la grille affecte la cuisson.

Pour griller, placez la grille à la bonne position. Poussez et tournez le bouton de commande dans le sens antihoraire jusqu'à BROIL (grillage). Ne faites pas pré-chauffer. Utilisez toujours la lèchefrite à deux pièces fournie avec la cuisinière et grillez avec la porte du four fermée.



Bouton de commande du four

Shabbath

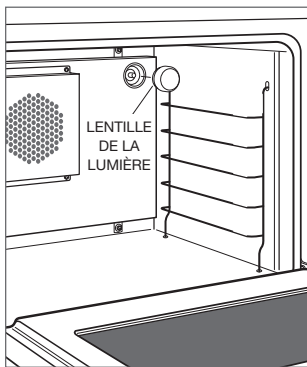
Cet appareil est certifié par Star-K pour répondre à des règlements religieux rigoureux relativement à des directives précises se trouvant sur www.star-k.org.

Lampe du four

⚠ AVERTISSEMENT

Assurez-vous que le courant soit coupé au niveau du coffret électrique avant de remplacer l'ampoule.

Laissez le four se refroidir complètement, dévissez la lentille de la lumière et retirez l'ampoule en la dévissant de la douille. Remplacez par une ampoule halogène de 40 watts. Reportez-vous à l'illustration ci-dessous.



Remplacement de l'ampoule

Brûleurs de surface

La conception du brûleur double couche combine tous les composants du brûleur en un seul dispositif. Le capuchon de brûleur doit être appuyé à plat sur le brûleur. Reportez-vous à l'illustration ci-dessous.

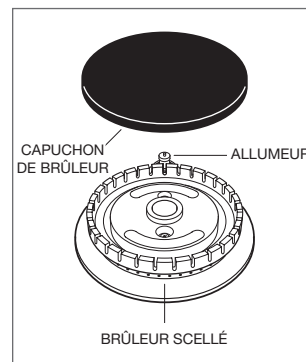
Pour allumer un brûleur, enfoncez et tournez le bouton de commande correspondant dans le sens antihoraire jusqu'à la position HI (élevé). L'allumeur commencera à cliquer jusqu'à ce que le brûleur s'allume. Une fois allumé, continuez à tourner le bouton dans le sens antihoraire jusqu'au réglage désiré.

Pour sélectionner un réglage SIMMER (mijoter), tournez le bouton de commande jusqu'au réglage le plus bas. Poussez et continuez à tourner dans le sens antihoraire. La flamme passera au second niveau sur le capuchon du brûleur. Continuez à tourner le bouton jusqu'au réglage de mijotage désiré.

Durant une panne d'électricité, les brûleurs peuvent être allumés manuellement. Tournez le bouton jusqu'à HI (élevé) en utilisant un allumoir à usages multiples.

⚠ MISE EN GARDE

Ne laissez jamais des chaudrons à un réglage élevé sans surveillance. Faites attention lorsque vous cuisez des aliments dans du gras ou de la graisse; ils peuvent devenir assez chauds pour s'enflammer.



Brûleur double couche

Grilloir type charbon de bois infrarouge

Le grilloir type charbon de bois possède un brûleur infrarouge qui transfère de la chaleur intense aux aliments, pour saisir l'extérieur et sceller les jus. Cuisez les aliments directement sur la grille du grilloir type charbon de bois, n'utilisez pas de chaudrons.

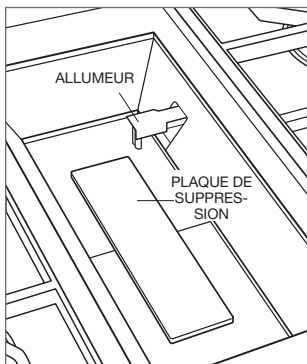
Pour maximiser la performance du grilloir type charbon de bois et offrir une cuisson uniforme, installez la plaque de suppression fournie avec la cuisinière.

Assemblage du grilloir type charbon de bois :

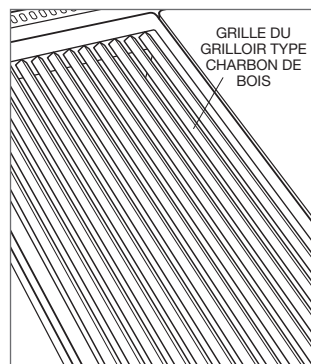
- 1 Pour assembler, placez le cadre du grilloir type charbon de bois sur la cuisinière.
- 2 Placez la plaque de suppression au centre directement sur les carreaux en céramique. Reportez-vous à l'illustration ci-dessous.
- 3 Installez la grille du grilloir type charbon de bois. Reportez-vous à l'illustration ci-dessous.

▲ MISE EN GARDE

Faites attention lorsque vous assemblez le grilloir type charbon de bois pour éviter tout contact avec l'allumeur.



Plaque de suppression



Grille du grilloir type charbon de bois

FONCTIONNEMENT DU GRILLOIR TYPE CHARBON DE BOIS

Le couvercle en acier inoxydable doit être enlevé avant l'utilisation.

- 1 Mettez la ventilation en marche.
- 2 Poussez et tournez le bouton de commande dans le sens antihoraire jusqu'à HI (élevé). L'allumeur commencera à cliquer jusqu'à ce que le brûleur s'allume.
- 3 Laissez préchauffer pendant 10 minutes.

ENTRETIEN DU GRILLOIR TYPE CHARBON DE BOIS

- Une fois la cuisson terminée, laissez le grilloir type charbon de bois en marche pendant 10 minutes. La chaleur élevée aidera à brûler l'excédent de particules alimentaires.
- Lorsqu'il est refroidi, retirez la grille et mettez-la dans l'évier. Couvrez de linges à vaisselle et versez de l'eau chaude dessus pour aider à dissoudre les résidus. Nettoyez avec du savon et un tampon à récurer. Rincez et séchez.
- Pour nettoyer le cadre, retirez-le et placez-le dans l'évier. Trempez-le dans de l'eau chaude et un détergent doux. Lavez à fond et frottez avec un tampon à récurer.
- Pour nettoyer la plaque de suppression, retirez-la et utilisez un tampon à récurer rempli de savon pour éliminer les résidus. Nettoyez avec de l'eau chaude et un détergent doux.

Plaque à frire infrarouge

La plaque à frire est contrôlée thermostatiquement de manière à garder une température constante. Pour empêcher les aliments de coller, il est nécessaire « d'assaisonner » la plaque à frire avant de l'utiliser.

Assaisonner la plaque à frire :

- 1 La plaque à frire possède un revêtement protecteur qui doit être enlevé avant l'utilisation. Utilisez de l'eau chaude et un détergent doux pour l'enlever. Rincez et séchez.
- 2 Poussez et tournez le bouton de commande dans le sens antihoraire jusqu'à 350 °F (175 °C) et chauffez pendant 30 minutes. Après la période de 30 minutes, mettez à OFF (arrêt) et laissez refroidir.
- 3 Tandis que la surface est un peu chaude, versez une petite quantité d'huile d'arachide ou végétale sur une serviette en papier et étalez uniformément.
- 4 Poussez et tournez le bouton de commande à 350 °F (175 °C). Chauffez jusqu'à ce que la plaque à frire commence à produire de la fumée, puis éteignez-la (OFF) et laissez refroidir. Une fois refroidie, essuyez l'excédent d'huile.

FONCTIONNEMENT DE LA PLAQUE À FRIRE

Le couvercle en acier inoxydable doit être enlevé avant l'utilisation.

- 1 Mettez la ventilation en marche.
- 2 Poussez et tournez le bouton de commande dans le sens antihoraire jusqu'à la température désirée. L'allumeur commencera à cliquer jusqu'à ce que le brûleur s'allume. La plaque à frire double possède des commandes séparées pour chaque côté.
- 3 Le voyant au-dessus du bouton s'illumine jusqu'à ce que la plaque à frire atteigne la température choisie. Le voyant s'allumera et s'éteindra si de la chaleur supplémentaire est requise pour maintenir la température choisie.

ENTRETIEN DE LA PLAQUE À FRIRE

- Grattez et poussez la graisse dans le collecteur de graisse après chaque utilisation. Une fois la surface refroidie, essuyez-la avec un essuie-tout pour éliminer l'excédant de graisse ou d'huile.
- Après chaque utilisation, réappliquez une petite quantité d'huile d'arachide ou végétale sur une serviette en papier et étalez uniformément.
- Éliminez l'assaisonnement de temps à autre. Versez 1/2 tasse (120 ml) d'eau tiède et 1 cuiller à thé (5 ml) de nettoyant à plaque à frire sur la plaque à frire et grattez le résidu dans le collecteur de graisse, puis videz-le. Lorsque la plaque est sèche, versez à nouveau une petite quantité d'huile pour l'assaisonner.

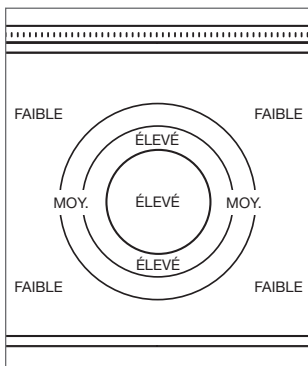
Table de cuisson française

La table de cuisson française est une surface de cuisson graduée avec la température la plus élevée sous la plaque centrale. Utilisez toujours des chaudrons, ne cuisez pas les aliments directement sur la surface. Pour obtenir une chaleur de cuisson supérieure, placez le chaudron près du centre et pour une chaleur inférieure, plus près des rebords. Reportez-vous à l'illustration ci-dessous.

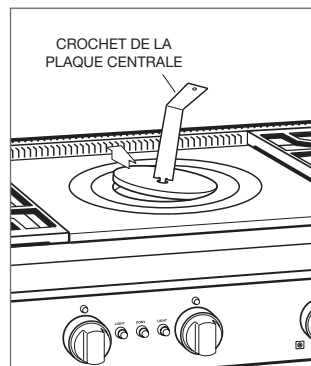
Pour protéger la surface des éclaboussements de nourriture et de l'humidité, il est nécessaire « d'assaisonner » la table de cuisson française avant de l'utiliser.

Assaisonner la table de cuisson française :

- 1 La table de cuisson française possède un revêtement protecteur qui doit être enlevé avant l'utilisation. Utilisez de l'eau chaude et un détergent doux pour l'enlever. Rincez et séchez.
- 2 Poussez et tournez le bouton de commande dans le sens antihoraire jusqu'à HI (élevé) et chauffez pendant 30 minutes. Après la période de 30 minutes, mettez à OFF (arrêt) et laissez refroidir.
- 3 Tandis que la surface est un peu chaude, versez une petite quantité d'huile d'arachide ou végétale sur une serviette en papier et étalez uniformément.



Zones thermiques de la table de cuisson française



Retrait de la plaque centrale

FONCTIONNEMENT DE LA TABLE DE CUISSON FRANÇAISE

Le couvercle en acier inoxydable doit être enlevé avant l'utilisation.

- 1 Mettez la ventilation en marche.
- 2 Poussez et tournez le bouton de commande dans le sens antihoraire jusqu'à HI (élevé). L'allumeur commencera à cliquer jusqu'à ce que le brûleur s'allume.
- 3 Laissez préchauffer pendant 30 minutes.

⚠ MISE EN GARDE

Ne laissez jamais des chaudrons sur la zone de chaleur élevée sans surveillance. Faites attention lorsque vous cuisez des aliments dans du gras ou de la graisse; ils peuvent devenir assez chauds pour s'enflammer.

ENTRETIEN DE LA TABLE DE CUISSON FRANÇAISE

- Nettoyez la surface au complet après chaque utilisation pendant qu'elle est encore tiède. Essuyez avec un détergent doux et de l'eau. Rincez et séchez.
- Après chaque utilisation, réappliquez une petite quantité d'huile d'arachide ou végétale sur une serviette en papier et étalez uniformément.
- Éliminez l'assaisonnement de temps à autre. Appliquez une petite quantité de vinaigre blanc et d'eau sur la surface pendant qu'elle est encore légèrement chaude. Frottez et répétez jusqu'à ce que l'excédent d'huile ait été éliminé. Versez une petite quantité d'huile à nouveau pour l'assaisonner.
- Le brûleur de la table de cuisson française se trouve sous la plaque centrale. Pour le retirer, utilisez le crochet de la plaque centrale fourni avec la cuisinière, comme il est montré dans l'illustration. Ne retirez jamais la plaque centrale pendant la cuisson.

Conseils d'entretien

NETTOYAGE

| | |
|--|--|
| Acier inoxydable | Utilisez un nettoyant non abrasif pour l'acier inoxydable et appliquez-le avec un chiffon doux non pelucheux. Pour faire ressortir le lustre naturel, essuyez légèrement la surface avec un chiffon en microfibres humecté d'eau suivi d'un chamois à polir sec. Suivez toujours le grain de l'acier inoxydable. |
| Grilles du brûleur Guides de grille du four | Enlevez-les et déposez-les sur une surface plate près de l'évier. Nettoyez avec de l'eau chaude et un détergent doux ou une pâte de bicarbonate de soude et d'eau. N'immergez pas dans l'eau. Séchez avec une serviette. |
| Cuvette du brûleur | Retirez les débris en surface avant de nettoyer pour aider à accélérer le processus de nettoyage et réduire le risque d'égratignures à la surface pendant le nettoyage. Au moyen de nettoyants légèrement abrasifs ou de dégraissants en aérosol, nettoyez et rincez la surface et séchez immédiatement pour éviter les stries. Pour nettoyer les taches d'eau dure, utilisez du vinaigre blanc et de l'eau. Rincez et séchez immédiatement. |
| Brûleurs de surface | Laissez refroidir. Utilisez un détergent doux ou un dégraissant en aérosol pour nettoyer. Rincez avec de l'eau et séchez avec une serviette. |
| Grilloir type charbon de bois Plaque à frire Table de cuisson française | Reportez-vous aux pages 10 à 12 pour voir les recommandations d'entretien. |
| Boutons de commande Cadrans | Avec un chiffon humide, essuyez avec un détergent doux ou un dégraissant en aérosol; rincez et séchez. Ne les mettez pas dans le lave-vaisselle. |
| Intérieur du four | Utilisez des nettoyants abrasifs doux, des dégraissants en aérosol. Utilisez une lame de rasoir pour doucement soulever les aliments cuits sur la cavité et la fenêtre du four. Pour les taches rebelles, pulvérisez un nettoyant abrasif doux ou un dégraissant en aérosol. Lavez la cavité du four au complet avec de l'eau et du savon pour éliminer tous les produits chimiques de nettoyage. |
| Lèchefrite | Pour nettoyer la grille supérieure, utilisez un détergent doux et un tampon à récurer. Rincez et séchez. Pour nettoyer la partie inférieure, jetez la graisse et lavez dans de l'eau chaude avec un détergent doux. Rincez et séchez. La grille supérieure en acier inoxydable peut aller dans le lave-vaisselle, mais ne placez pas la grille ou le plateau enduits de porcelaine dans un lave-vaisselle. |

Dépannage

FONCTIONNEMENT

La cuisinière ne fonctionne pas.

- Assurez-vous que l'unité est sous tension.
- Vérifiez l'alimentation électrique vers l'unité et que le disjoncteur de la résidence est en marche.

FOUR

Problème de température du four.

- Communiquez avec le service à la clientèle de Wolf au 800-222-7820 pour obtenir des recommandations.

Le four émet des bruits pendant le préchauffage ou le refroidissement.

- Ceci est normal avec l'expansion et la contraction de toute nouvelle cavité.
- Si le problème persiste, communiquez avec le service à la clientèle de Wolf au 800-222-7820.

SURFACE DE LA CUISINIÈRE

Flamme erratique, mauvais allumage ou pas d'allumage.

- Vérifiez que les capuchons de brûleur sont correctement placés.
- Nettoyez le brûleur et l'allumeur adéquatement.
- Si de l'eau a été renversée récemment, laissez la zone sécher complètement. Utilisez un sèche-cheveux, au besoin.
- Si le capuchon du brûleur se fixe sur la tête du brûleur, assurez-vous qu'il est bien fixé.
- Enfoncez le bouton, puis relâchez-le. Assurez-vous qu'il se remette en place.

Le grilloir type charbon de bois clique continuellement.

- Vérifiez que le bouton est bien réglé à HI (élevé).

Le voyant lumineux du four ou de la plaque à frire clignote.

- Mettez le bouton à OFF (arrêt), puis remettez-le en marche. La flamme a disparu et l'unité est passée au mode de verrouillage de sécurité.

SERVICE

- Préservez la qualité intégrée dans votre produit en communiquant avec un service Wolf certifié par l'usine. Pour obtenir le nom du centre de service Wolf certifié par l'usine le plus près de chez vous, consultez la section Contact et assistance de notre site Web, wolfappliance.com ou appelez le service à la clientèle de Wolf à 800-222-7820.
- Avant d'appeler pour obtenir du service, ayez en main les numéros de modèle et de série de votre produit. Les deux numéros sont indiqués sur la plaque signalétique du produit. Reportez-vous à la page 6 pour connaître l'emplacement de la plaque signalétique.
- Pour les besoins de la garantie, vous devrez aussi avoir la date d'installation et le nom de votre dépositaire Wolf autorisé. Ces renseignements doivent être notés à la page 3 de ce guide.

Garantie limitée résidentielle Wolf Appliance

POUR UTILISATION RÉSIDENTIELLE

GARANTIE COMPLÈTE DE DEUX ANS*

Pendant deux ans à compter de la date d'installation originale, cette garantie de produit Wolf Appliance couvre toutes les pièces et la main d'œuvre pour réparer ou remplacer, selon un usage résidentiel normal, toute partie du produit qui s'avérerait défectueuse en vertu des matériaux ou de la fabrication. Tout service fourni par Wolf Appliance en vertu de la garantie ci-dessus doit être effectué par un centre de service Wolf certifié par l'usine, à moins d'indication contraire de la part de Wolf Appliance, Inc. Le service sera fourni pendant les heures normales d'affaires.

GARANTIE LIMITÉE DE CINQ ANS

Pendant cinq ans à compter de la date originale d'installation, Wolf Appliance réparera ou remplacera les pièces suivantes qui s'avèreront défectueuses en vertu des matériaux ou de la fabrication : les brûleurs au gaz (sauf l'apparence), les éléments de chauffage électrique, les moteurs de soufflerie (hottes de ventilation), les circuits de contrôle électronique, les tubes magnétrons et les génératrices à induction. Si le propriétaire utilise le service Wolf certifié en usine, le fournisseur de service réparera ou remplacera ces pièces et le propriétaire paiera pour tous les autres frais, y compris la main d'œuvre. Si le propriétaire utilise un service non certifié, il doit communiquer avec Wolf Appliance, Inc. (avec les renseignements ci-dessous) pour obtenir des pièces réparées ou de rechange. Wolf Appliance ne remboursera pas le propriétaire pour les pièces achetées d'un service non certifié ou d'autres sources.

CONDITIONS S'APPLIQUANT À CHAQUE GARANTIE

La garantie s'applique uniquement aux produits installés pour un usage résidentiel normal. La garantie s'applique seulement aux produits installés dans l'un des cinquante états des États-Unis, dans le District of Columbia ou les dix provinces du Canada. Cette garantie ne couvre pas les pièces ou la main d'œuvre pour corriger tout défaut causé par de la négligence, un accident ou une utilisation, un entretien, une installation, un service ou une réparation inappropriés.

LES REMÈDES DÉCRITS CI-DESSUS POUR CHAQUE GARANTIE SONT LES SEULS QUI SONT OFFERTS PAR WOLF APPLIANCE, INC. EN VERTU DE CETTE GARANTIE OU EN VERTU DE TOUTE GARANTIE DÉCOULANT DE L'OPÉRATION DE LA LOI. WOLF APPLIANCE, INC. NE SERA PAS RESPONSABLE DES DOMMAGES INDIRECTS OU CONSÉCUTIFS DÉCOULANT DE LA VIOLATION DE CETTE GARANTIE OU DE TOUTE GARANTIE, EXPRESSE, IMPLICITE OU LÉGALE.

Certaines provinces ne permettent pas l'exclusion ou la restriction des dommages indirects ou consécutifs, par conséquent, la limite ou l'exclusion ci-dessus peut ne pas s'appliquer à votre cas. Cette garantie vous confère des droits légaux précis et vous pouvez aussi avoir d'autres droits légaux qui peuvent varier d'une province à l'autre.

Pour obtenir des pièces et/ou du service et le nom du centre de service Wolf certifié par l'usine le plus près de chez vous, communiquez avec Wolf Appliance, Inc., P.O. Box 44848, Madison, WI 53744 É.-U.; vérifiez la section Contact et assistance de notre site Web, wolfappliance.com, envoyez-nous un courriel à customerservice@subzero.com ou composez le 800-222-7820.

*L'acier inoxydable (les portes, les panneaux, les poignées, les cadres et les surfaces intérieures) est couvert par une garantie limitée de 60 jours sur les pièces et la main d'œuvre pour toute défectuosité cosmétique.

*Les filtres de rechange pour les trousse de recirculation de hotte ne sont pas couverts par la garantie du produit.





WOLF APPLIANCE, INC. P.O. BOX 44848 MADISON, WI 53744 WOLFAPPLIANCE.COM 800.222.7820

823549 REV-E

2/2018

