

IC-36FI



FEATURES

- Ready to be fitted with custom panels and handles to blend with cabinetry
- Smart-touch controls for streamlined access to more settings
- Uniform 84" height
- All-freezer storage solves capacity problems
- Water-filtration system reduces contaminants, chlorine taste and odor
- Soft-on LED lights for varying degrees of brightness
- Magnetic door seal system locks in cold air
- Automatic ice maker with "max ice" feature
- Rigorously tested in our U.S. manufacturing facilities to ensure decades of use
- Exceptional 24/7 support from Madison, WI-based Customer Care team

ACCESSORIES

- Press-to-Open - Left Hinge
- Press-to-Open - Right Hinge
- Reduced Toekick Divider
- Stainless Steel Side Panel
- Stainless Steel Top Panel
- Water Filter 4204490
- Stainless Steel Tubular Handles
- Stainless Steel Pro Handles
- Dual Installation Kits
- Stainless Steel Door Panels With Pro Handle - 4" Toe Kick
- Stainless Steel Door Panels With Pro Handle - 6" Toe Kick
- Stainless Steel Door Panels With Tubular Handle - 4" Toe Kick
- Stainless Steel Door Panels With Tubular Handle - 6" Toe Kick
- Stainless Steel Dual Installation Kickplates

Accessories are available through an authorized dealer.
For local dealer information, visit subzero-wolf.com/locator.



HANDLE ACCESSORIES

PRO



TUBULAR

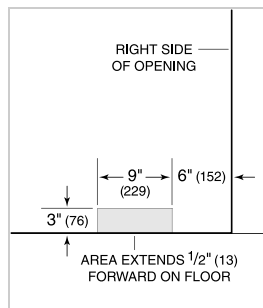
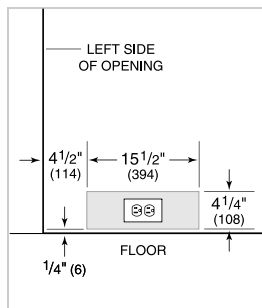


PRODUCT SPECIFICATIONS

Model	IC-36FI
Dimensions	36"W x 84"H x 24"D
Door Clearance	34 1/2"
Weight	460 lbs
Freezer Capacity	20 cu. ft.
Electrical Supply	115 VAC, 60 Hz
Electrical Service	15 amp dedicated circuit
Receptacle	3-prong grounding-type

ELECTRICAL

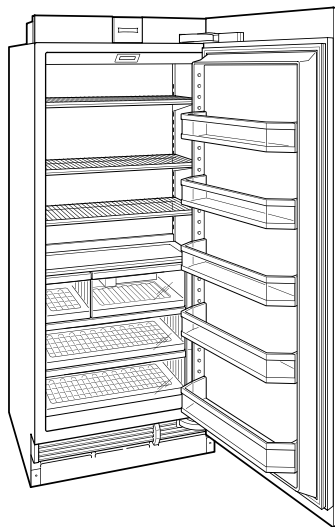
PLUMBING



PANEL SPECIFICATIONS For complete panels specifications including width/height, weight requirements and thickness requirements visit subzero-wolf.com/reveal.

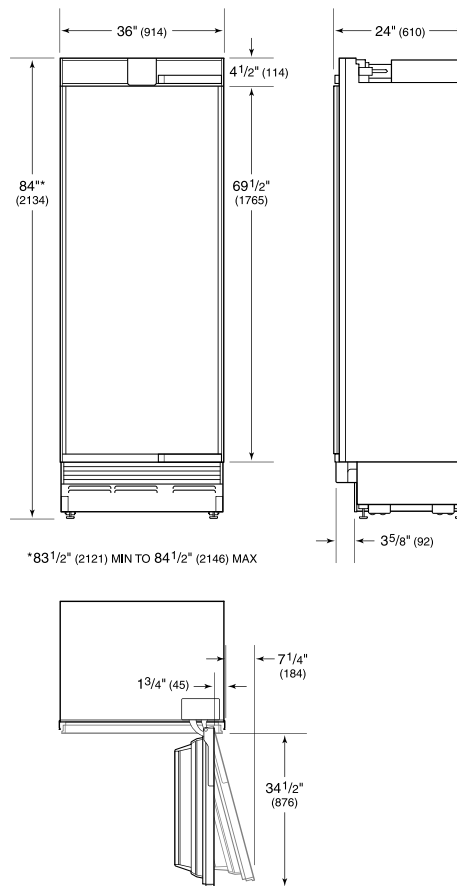
NOTE: Dimensions in parenthesis are in millimeters unless otherwise specified

INTERIOR VIEW

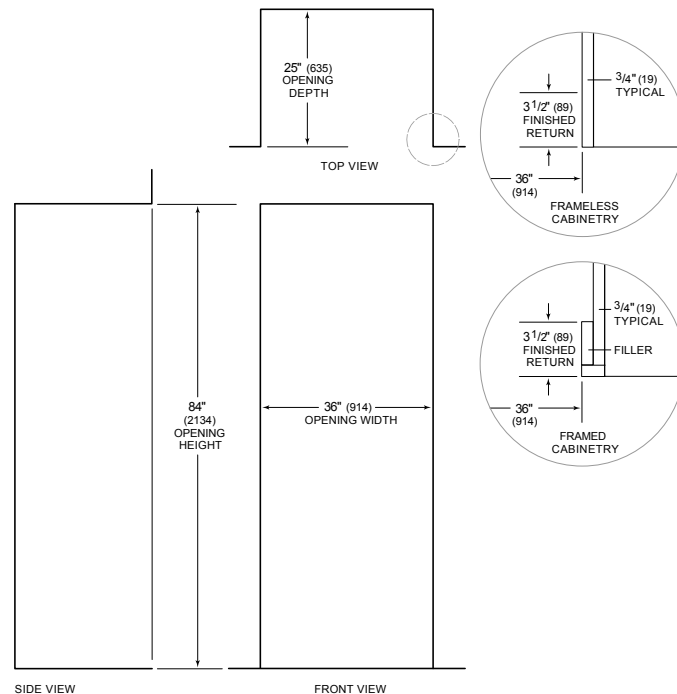


This illustration is intended for interior reference only and may not represent the exterior of the model being specified.

DIMENSIONS



STANDARD INSTALLATION



NOTE: 3 1/2" (89) finished returns will be visible and should be finished to match cabinetry