

SO24TE/S/TH



FEATURES

11 cooking modes make meals easy

Quicker preheat for faster meal prep

Installs flush or proud with surrounding cabinetry

Temperature probe cooks to ideal doneness and lets you know when it's ready

Single convection oven for fast, consistent cooking

Self clean, delayed start, timed cook and more

Black porcelain interior

Hidden bake element and recessed broil element

Adjustable oven rack plus porcelain-coated pan

Dual halogen lights for better interior views

Rigorously tested in our U.S. manufacturing facilities for decades of use

Exceptional 24/7 support from our Customer Care team in Madison

ACCESSORIES

Full-Extension Rack Guides

Oven Rack

Porcelain Baking Sheet

Pro Handle

Solid Pan 12 3/4" x 1 1/2" x 7"

Solid Pan 12 3/4" x 1 1/4" x 14"

Solid Pan 17 3/4" x 1 1/4" x 15"

Accessories available through an authorized dealer.

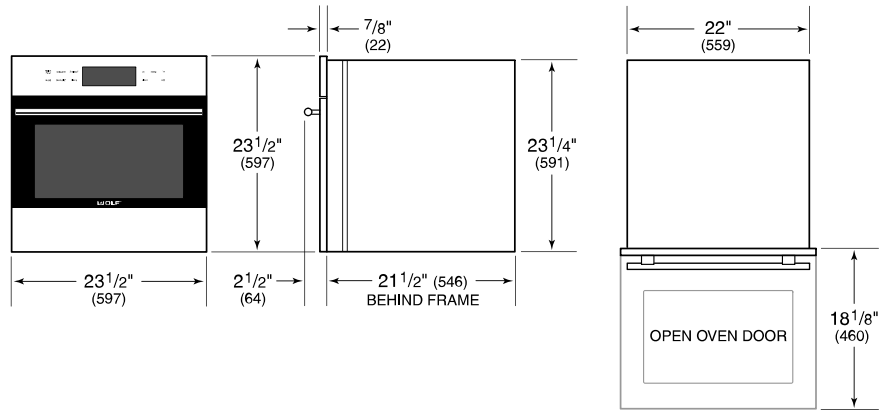
For local dealer information, visit subzero-wolf.com/locator.



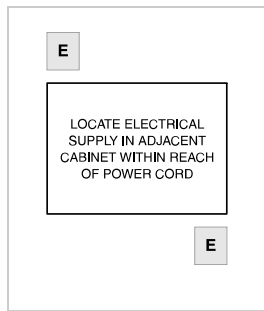
PRODUCT SPECIFICATIONS

Model	SO24TE/S/TH
Dimensions	23 1/2"W x 23 1/2"H x 21 1/2"D
Oven 1 Interior Dimensions	18"W x 13 3/4"H x 16"D
Overall Capacity	2.4 cu. ft.
Usable Capacity	1.6 cu. ft.
Door Clearance	18 1/8"
Weight	80 lbs
Electrical Supply	240/208 VAC, 60 Hz
Electrical Service	20 amp dedicated circuit
Power Cord Length	6 Feet
Receptacle	NEMA 6-20R grounding-type

DIMENSIONS

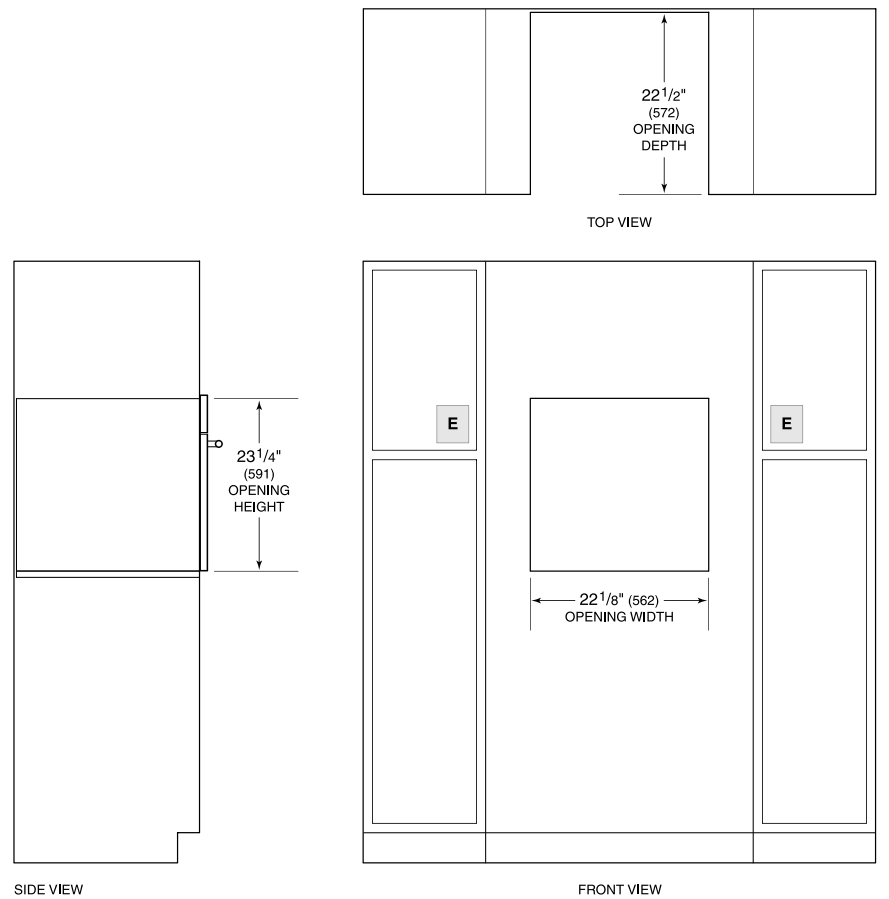


ELECTRICAL



NOTE: Dimensions in parenthesis are in millimeters unless otherwise specified

STANDARD INSTALLATION



SIDE VIEW

FRONT VIEW

NOTE: Electrical supply must be located in adjacent cabinet within 3' (.9 m) of opening.