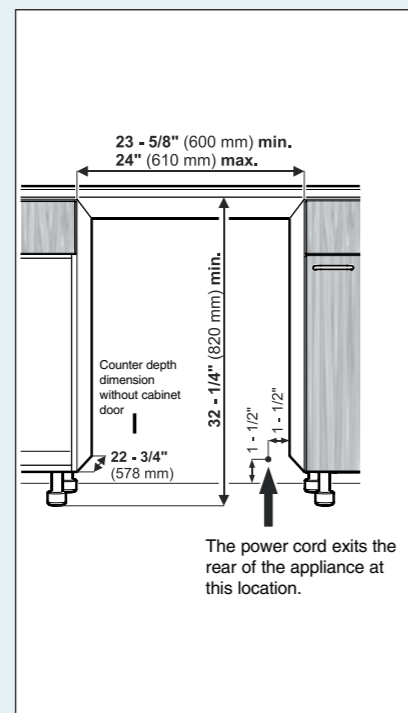
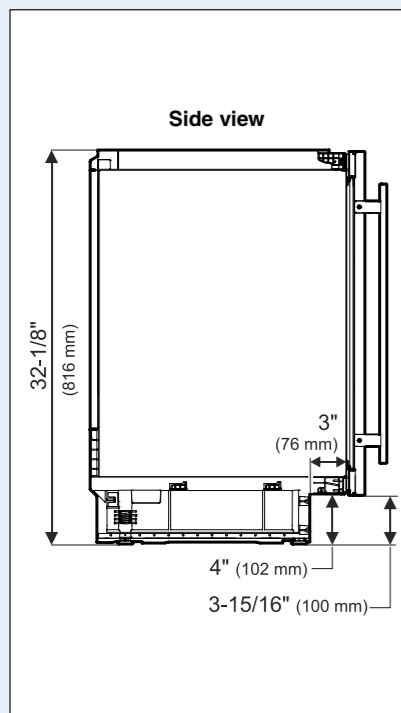


Diagrams

◀24▶

Appliance and Cabinet Dimensions



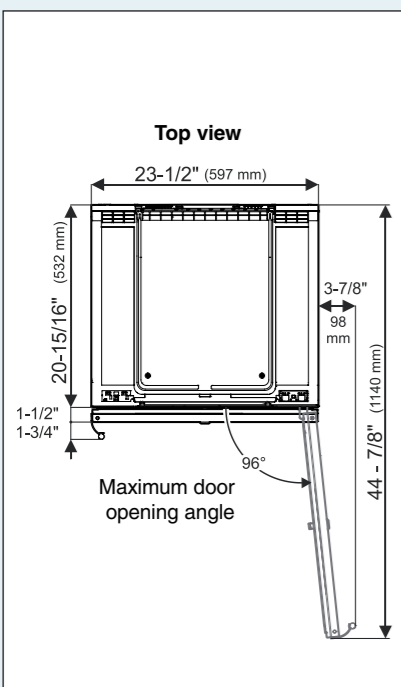
Height when adjustable feet have been screwed in as far as they will go.

Delivery status = feet approx. 1/8" unscrewed.

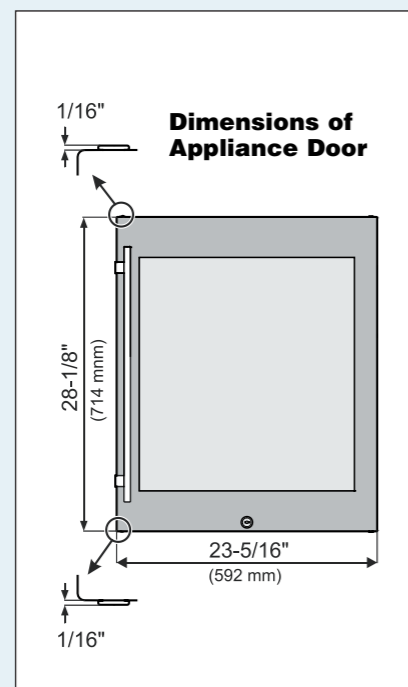
Maximum height adjustment = 2" (51 mm) to allow for a 6" (153 mm) toe kick.

Free length of the power cord = 78 - 3/4 inch (2000 mm)

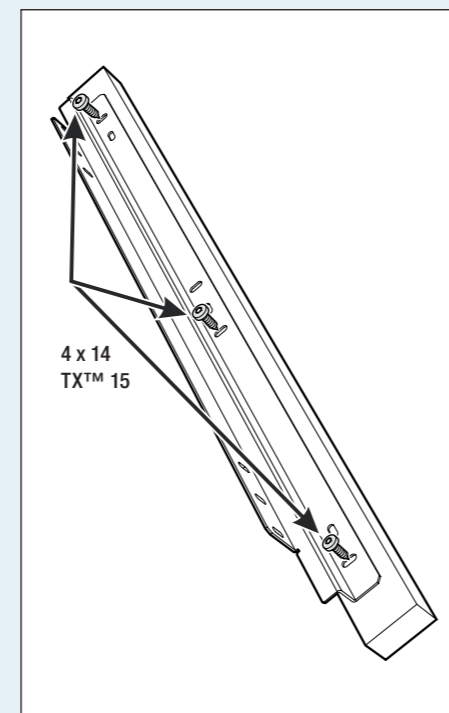
IMPORTANT
The electrical outlet must not be situated behind the appliance and must be easily accessible.



IMPORTANT
The floor on which the appliance stands must be horizontal and level. The kitchen units must be aligned horizontally and vertically.

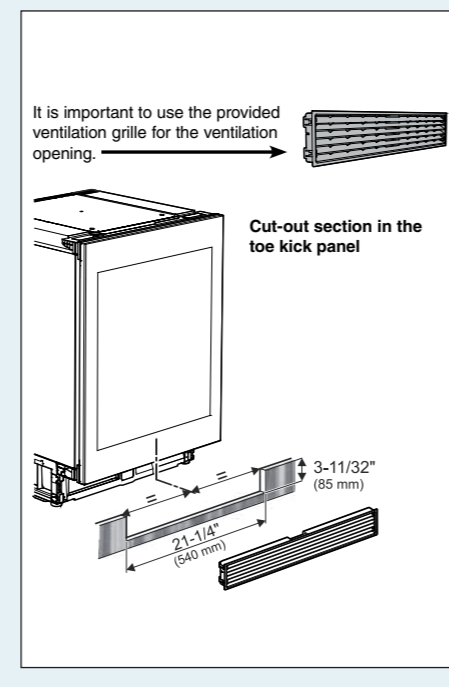


Mounting the panel onto the angle bracket



Mount the panel onto the angle bracket using three 4 x 14 screws.

Appliance Venting



IMPORTANT
The cut-out section in the toe kick panel must be centered in relation to the appliance and in the uppermost part of the toe kick.



Liebherr WUgb 3400 Wine Cabinet

G GERMAN
ENGINEERING

LIEBHERR
Quality, Design and Innovation

Wine Cabinet

◀24"▶

The advanced **WUgb 3400** offers a number of innovative solutions for wine storage. Controls are integrated into the insulation layer between the temperature zones, making it possible to set two different temperatures within the unit. Store red and white wines according to your preference – use the entire cabinet for one or store both, each at its optimum drinking temperature. The elegant black glass door, featuring new TipOpen technology offers seamless integration into handle-free kitchen furniture. This smart wine cabinet can hold up to 34 bottles and when gently tapped, the glass door automatically opens to 2 3/4 inches, offering convenient access to enable full opening. If the door is not opened further within about three seconds, the soft-closing system automatically closes the door again, safeguarding your precious wine. Enjoy a top-quality wine experience before you even select a bottle.



Wine Cabinet

Capacity

Total capacity cu.ft. (l)

Max. No. of Bordeaux btls 0.75 l

Shipping weight lbs. (kg)

Climate rating

Sound rating dB(A)

Door hinges

Product dimensions

in inches (cm) H/W/D

Cut out dimensions

in inches (cm) H /W/D

Energy supply

Voltage V/Hz

ADA compliant

WUgb 3400 Vinidor

Wine

LED

Soft System

Telescopic Rails

Tip Open

3.3 (94)

34

123.5 (56)

SN-ST

39**

right, reversible

32 1/4" / 23 9/16" / 22 11/16" (81.8 / 59.7 / 57.5)

32-5/16"/34-5/16"/23-5/8"/22-7/8" (82-87/60/58)

115/60

Yes

* Energy Cost will depend on utility rates and use. Estimated energy cost based on a national average electricity cost of 12 cents per kWh.

** Noise output – according to EN 60704-3

Features

◀24"▶



German Engineering: Our superior products offer premium quality, cutting edge design and innovative features that fit your busy lifestyle. Exclusive components and materials, along with the latest production processes, ensure energy efficiency and performance for years to come.



Soft System

SoftSystem: Unique to Liebherr is our patented SoftSystem, often used in high-end cabinetry, ensures that the door closes gently, even when fully loaded. Plus the door opening angle can be reduced to 90 degrees allowing for more design options within kitchen décor.



LED

LED Lighting: The energy efficient LED ceiling light not only emits virtually no heat, but it is dimmable to cast a cool glow to give a pleasing ambient light inside the appliance as well as the room.



Electronic Control

Electronic LCD display: Intuitive navigation of touch electronic control system enables tailored storage options. The digital temperature display can be viewed via the UV tinted glass door.



Beech wood Shelving: Solid beech wood shelves on telescopic rails for easy wine access.



FreshAir Activated Charcoal Filter: Liebherr wine cabinets are fitted with easy-to-replace FreshAir activated charcoal filters to ensure clean air. Odors are filtered out and the quality of the wine is protected.



Tip Open

TipOpen technology: When the glass door is gently tapped, TipOpen technology partially opens the unit, facilitating further opening. If the door is not opened fully within three seconds, the door will self-close, ensuring that the ideal air humidity does not escape from the cabinet.



UV Protection: In order to minimize the exposure of light which can damage the maturity of a wine, Liebherr wine cabinets are fitted with special UV-resistant insulated glass; simultaneously protecting and presenting your wine.



Alarm System: Liebherr Wine units are equipped with a trustworthy alarm system to alert the homeowner if the door has been left open or the temperature has been compromised.