

WU 4500
Wine Cabinet



 GERMAN
ENGINEERING

LIEBHERR
Quality, Design and Innovation

The **WU 4500** wine storage cabinet is ideal for storing wines for long periods of time, allowing them to mature to perfection. The temperature of the cabinet can be set between 41°F and 68°F, making the cabinet suitable for storing reds, whites, and champagnes.

The **WU 4500** can hold up to 45 Bordeaux bottles, stored on beech wood shelves with smooth telescopic rails. With a constant supply of fresh air via an activated charcoal filter and continuously circulating air cooling, this appliance guarantees consistent high air quality during the maturing process. A specially developed compressor ensures that wines are stored in a vibration-free environment so as to not disturb the wines' sediment.

The **WU 4500** can be integrated easily and elegantly into any custom kitchen design as it ventilates through the toe kick, eliminating the need for counter slots. This sophisticated appliance also boasts a digital temperature display conveniently located at the top of the cabinet with visibility through the elegant glass door.



Wine Cabinet

WU 4500
GrandCru

LED Wine Telescopic Rails ADA Compliant

| |
|---------------------------------------|
| Sound rating dB(A)** |
| Total capacity cu.ft. (l) |
| Max. No. of Bordeaux bottles (0.75 l) |
| Number of shelves |
| Shelves on telescopic rails |
| Shelf material |
| Electronic control |
| Temperature range °F (°C) |
| Temperature zones |
| Interior light |
| Door alarm |
| Safety thermostat |
| Activated Charcoal filter |
| Door type |
| Integrated lock |
| Door hinges |
| Product dimensions (H/W/D) in. (cm) |
| Cut out dimensions (H/W/D) in. (cm) |
| Net weight lbs. (kg) |
| Voltage V/Hz |
| |
| |
| |

| |
|---|
| 39 |
| 3.9 (110) |
| 46 |
| 4 |
| 3 |
| Beech wood shelves |
| MagicEye with digital temp. display, touch electronic |
| +41°F to +68°F (+5°C to +20°C) |
| 1 |
| LED interior lighting |
| acoustic |
| yes |
| yes |
| Glass door with stainless steel frame |
| yes |
| right, reversible |
| 32 1/4" / 23 9/16" / 22 3/4" (81.8/59.7/57.7) |
| 32 5/16"-34 5/16" / 23 5/8" / 22 7/8" (82-87/60/58) |
| 99.2 (45.0) |
| 115/60 |
| |
| |
| |

* Estimated energy cost will depend on utility rates and use. Estimated energy cost based on a national average electricity cost of 12 cents per kWh.
 ** Noise output – according to EN 60704-3.



German Engineering: Our superior products offer premium quality, cutting edge design, and innovative features that best fit your lifestyle. The use of high quality materials, perfectly detailed finishes, and elite cooling components are combined with the latest production processes, resulting in an outstanding cooling product.



Electronic Control

Touch Control: The electronic touch system allows temperatures to be set to the exact desired degree, from 41°F to 68°F. Temperatures are clearly displayed on the LCD display for accurate readings of your desired settings.



LED

LED Ceiling Light: The energy efficient LED ceiling light not only emits virtually no heat for the optimal storage of wines, but is dimmable for a pleasant ambient light within the cabinet, as well as a cool glow for the room.



Beech Wood Shelving: Liebherr wine cabinets are fitted with beech wood shelving, mounted on telescopic rails for easy and gentle access to wines. The handmade, untreated wood pullout shelves can hold a variety of bottle types.



Activated Charcoal Filter: Optimum air quality is guaranteed in Liebherr wine cabinets thanks to the easy-to-replace FreshAir activated charcoal filter, which purifies incoming air, while filtering out damaging odors.



UV Protection: In order to minimize the exposure of light which can damage the maturity of a wine, Liebherr wine cabinets are fitted with special UV-resistant insulated glass, simultaneously protecting and presenting your finest wines.



Integrated Lock: A sturdy lock protects your fine wine collection.



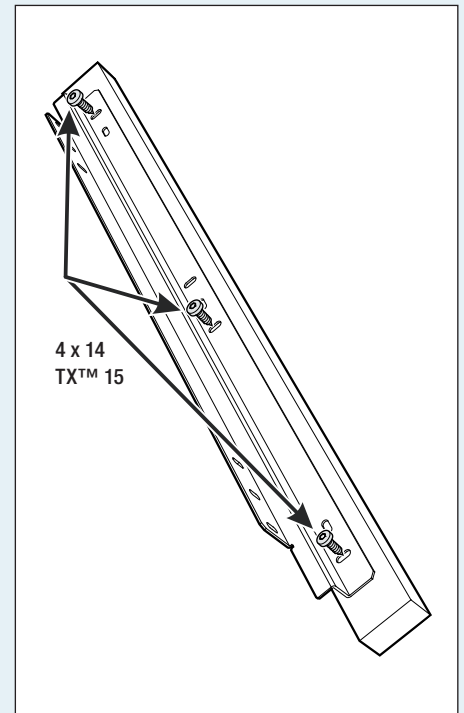
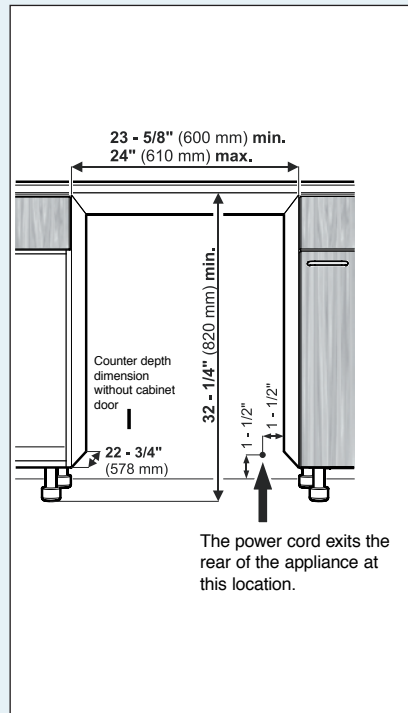
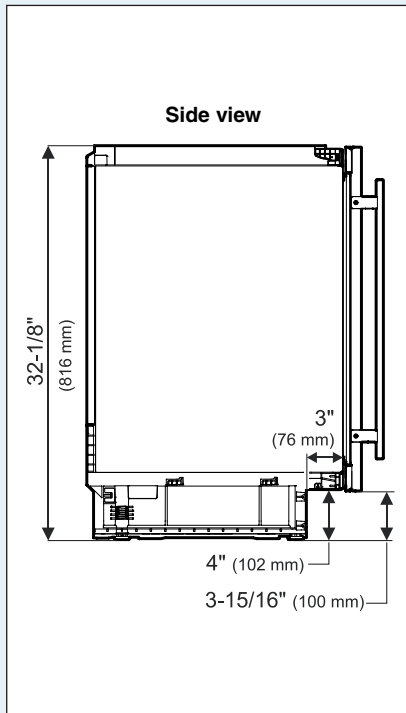
Alarm: Liebherr wine cabinets are equipped with a trustworthy alarm system which alerts the owner if the door has been left open, or if there are temperature changes.



Compressors: Specially developed, exceptionally low-vibration compressors prevent tannins from settling, allowing wines to mature properly.

Appliance and Cabinet Dimensions

Mounting the panel onto the angle bracket



Mount the panel onto the angle bracket using three 4 x 14 screws.

Height when adjustable feet have been screwed in as far as they will go.

Delivery status = feet approx. 1/8" unscrewed.

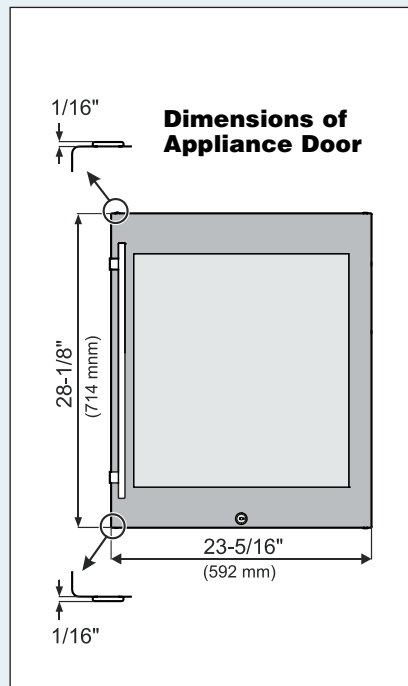
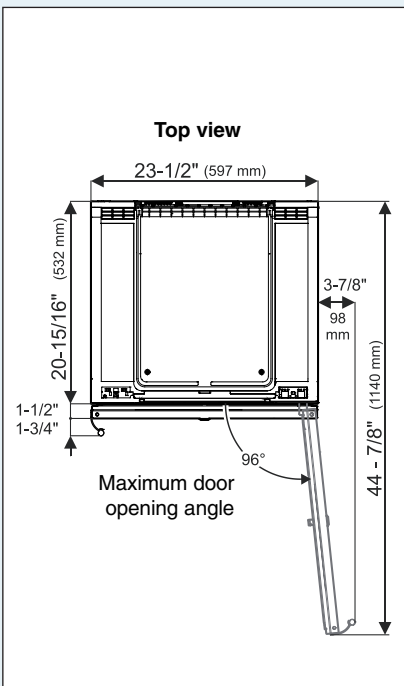
Maximum height adjustment = 2" (51 mm) to allow for a 6" (153 mm) toe kick.

Free length of the power cord = 78 - 3/4 inch (2000 mm)

IMPORTANT

The electrical outlet must not be situated behind the appliance and must be easily accessible.

Appliance Venting



IMPORTANT

The floor on which the appliance stands must be horizontal and level. The kitchen units must be aligned horizontally and vertically.

