

**RO 510**

Outdoor Beverage/Wine Cooler



 GERMAN  
ENGINEERING

**LIEBHERR**

Quality, Design and Innovation

The 24" **RO 510** outdoor undercounter beverage/wine cooler is the ultimate barbecue and entertainment accessory, turning your outdoor kitchen into the ultimate place for entertaining. This model offers the best solution to store beverages such as wine, beer and soft drinks, as well as barbecue supplies and condiments, close at hand without compromising on elegance and design.

The temperature of the **RO 510** can be set between 36°F and 68°F for a variety of uses. This outdoor appliance includes three glass shelves with stainless steel trim for flexible storage, including a versatile split shelf for storing taller items, and two door racks (one adjustable). This model is perfect for outdoor entertaining, operating perfectly in ambient temperatures from 50°F to 109°F. Because of its sophisticated stainless steel look, the RO 510 can also be used indoors within a kitchen or bar for added convenience.



## Outdoor Beverage/Wine Cooler

## RO 510

LED

Telescopic Rails

ADA Compliant



Energy consumption (kWh/y)

Estimated Yearly Energy Cost in US \$\*

Sound rating dB(A)\*\*

Total capacity cu.ft. (l)

Max. No. of Bordeaux bottles (0.75 l)

Number of shelves

Shelves on telescopic rails

Shelf material

Electronic control

Temperature range °F (°C)

Temperature zones

Interior light

Door alarm

Safety thermostat

Activated Charcoal filter

Door type

Integrated lock

Door hinges

Product dimensions (H/W/D) in. (cm)

Cut out dimensions (H/W/D) in. (cm)

Net weight lbs. (kg)

Voltage V/Hz

345

–

XX

3.7 (104)

–

4

3

glass

MagicEye with digital temp. display, key electronic

+36°F to +68°F (+2°C to +20°C)

1

LED interior lighting

acoustic

yes

yes

Full door

yes

right, reversible

32 1/4" / 23 9/16" / 22 3/4" (81.8/59.7/57.7)

32 5/16"-34 5/16" / 23 5/8" / 21 11/16" (82-87/60/55)

112.4 (51.0)

115/60

\* Estimated energy cost will depend on utility rates and use. Estimated energy cost based on a national average electricity cost of 12 cents per kWh.

\*\* Noise output – according to EN 60704-3.



**German Engineering:** Our superior products offer premium quality, cutting edge design, and innovative features that best fit your lifestyle. The use of high quality materials, perfectly detailed finishes, and elite cooling components are combined with the latest production processes, resulting in an outstanding cooling product.



Electronic Control

**Precision Electronics:** The electronic control system is situated at the top of the interior. The temperature can be set from 37°F to 68°F. The cabinet includes a lock for added protection of items stored.



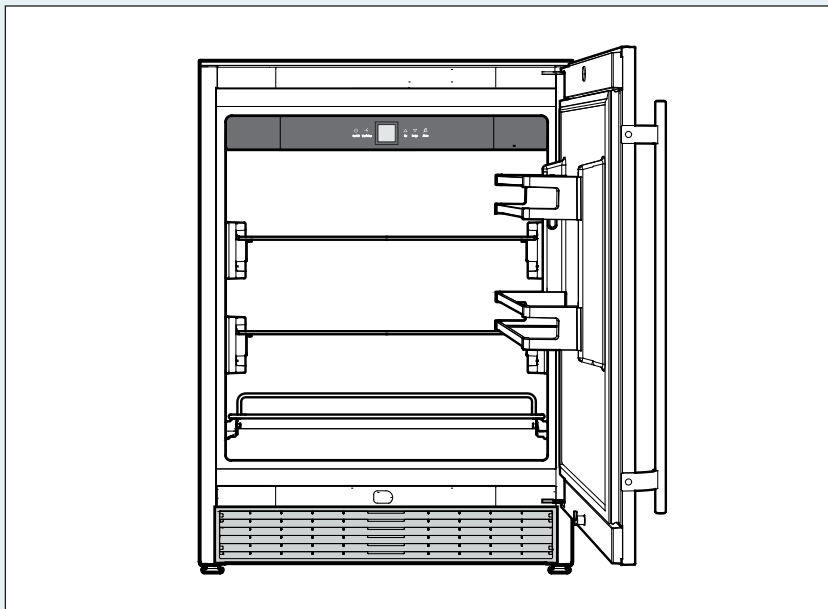
LED

**LED Lighting:** The energy efficient LED ceiling light not only emits virtually no heat to cast a cool glow to give a pleasing ambient light inside the appliance as well as the room.



**Storage shelves:** This unit offers flexible storage options thanks to two glass shelves, a convenient split shelf for storing taller items, and a pull-out metal rack.

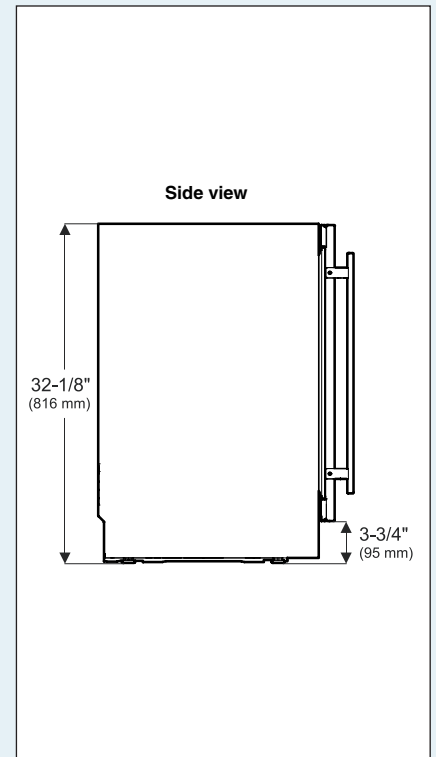
Outdoor Refrigerator



To prevent possible ignition, designed ventilation is required.

It is recommended to install the appliance in a sheltered area, avoiding direct contact with extreme weather. Avoid placing the appliance in direct sunlight or near the stove, range top, radiators and similar heat sources. The appliance is designed for a freestanding setting up.

Appliance Dimensions



Height when adjustable feet have been screwed in as far as they will go.

Delivery status = feet approx. 1/8" unscrewed.

Maximum height adjustment = 2" (51 mm)

Dimensions Of Appliance Door

