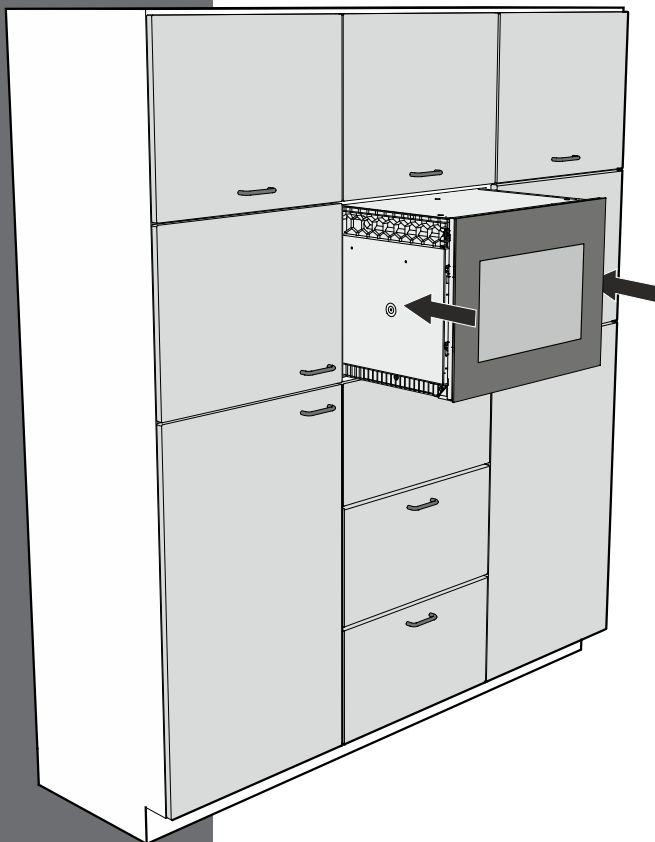


LIEBHERR

Installation Instructions

For Wine Cooler



HWgb 1803
HWgw 1803
7084 141-00

TABLE OF CONTENTS

Please Read and Follow these Instructions

These instructions contain Danger, Warning and Caution notes.

This information is important for safe and efficient installation and operation.

Always read and comply with all Danger, Warning and Caution notes!



DANGER!

Danger indicates a hazard which will cause serious injury or death if precautions are not followed.



WARNING!

Warning indicates a potentially hazardous situation which, if not avoided, could result in death or serious injury.



CAUTION!

Caution indicates a potentially hazardous situation which, if not avoided, may result in minor or moderate injury.

IMPORTANT

This indicates information that is especially relevant to a problem-free installation and operation.

Note to the Installer

It is very important to follow the instructions in the manual to ensure proper installation and operation of the unit.

Before installing the unit, be sure to thoroughly read and understand all of the information in this manual.



WARNING!

Electrocution hazard.

Do not connect to the electrical outlet before the installation is completed.

Contents

Page

Please Read and Follow these Instructions.....	2
Note to the Installer.....	2
R600a Refrigerant	2
Blocking for Safety.....	2
Disposal of Old Appliance	3
Important Safety Information.....	3
Disposal of Carton	3
Electrical Safety	3
Supplied Accessories	4
Appliance Venting.....	4
Types of Air Outlet	4
Appliance Dimensions.....	5
Installation Dimensions.....	5
Installing the Appliance.....	6

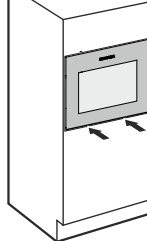
R600a Refrigerant



WARNING!

The refrigerant R600a contained within the appliance is environmentally friendly, but flammable. Leaking refrigerant can ignite.

To prevent possible ignition, follow the warnings below:

- Keep ventilation openings, in the appliance enclosure or in the built-in structure, clear of obstruction. 
- Do not damage the refrigerant circuit.
- Component parts and power cords shall be replaced with like components performed by factory authorized service personnel only.

Blocking for Safety



WARNING!

To avoid a hazard due to instability of the appliance, it must be fixed in accordance with the instructions.

Disposal of Old Appliance



DANGER!

Risk of child entrapment.

Child entrapment and suffocation are not problems of the past.

Junked or abandoned refrigerators are still dangerous – even if they will sit for “just a few days.”

If you are getting rid of your old refrigerator, please follow these instructions to help prevent accidents.

Before you discard old appliances:

- Take off the doors.
- Leave the shelves in place so that children may not easily climb inside.
- Cut off the power cable from the discarded appliance. Discard separately from the appliance.
- Be sure to follow your local requirements for disposal of appliances.

Contact the trash collection agency in your area for additional information.

Important Safety Information

- To prevent injury to you or damage to the unit, the appliance should be unpacked and set up by two people.
- If the appliance is damaged on delivery, contact the supplier immediately before connecting it to the power source.
- To guarantee safe operation, ensure that the appliance is set up and connected as described in this manual.
- When disconnecting the appliance, always pull it out by the plug; never pull on the cable.
- To protect the appliance from possible damage, allow it to stand 1/2 to 1 hour in place before turning on the electricity. This allows the refrigerant and system lubrication to reach equilibrium.

Disposal of Carton

The packaging is designed to protect the appliance and individual components during transport and is made of recyclable materials.



WARNING!

Keep packaging materials away from children. Polythene sheets and bags can cause suffocation!

If possible, please recycle packaging material at a recycling facility.

Electrical Safety

Connect this appliance to a 15 amp or 20 amp, 110-120 VAC, circuit which is grounded and protected by a circuit breaker or fuse.

We recommend using a dedicated circuit for this appliance to prevent circuit overload and the chance of interruption to the appliance.

This appliance is equipped with a three-prong (grounding) polarized plug for your protection against possible shock hazards.

Where a two-prong wall receptacle is encountered, contact a qualified electrician and have it replaced with a properly grounded three-prong receptacle in accordance with all local codes and ordinances.

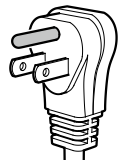


WARNING!

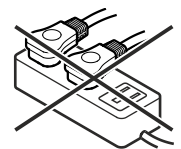
Electrocution hazard.

Electrical grounding required.

- Do not remove the round grounding prong from the plug.
- Do not use extension cords or ungrounded (two-prong) adapters.
- Do not use a power cord that is frayed or damaged.



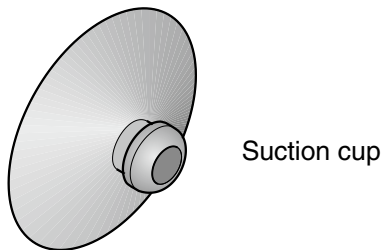
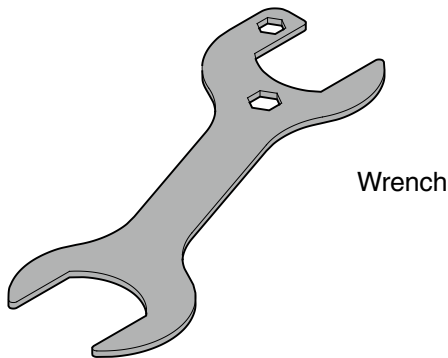
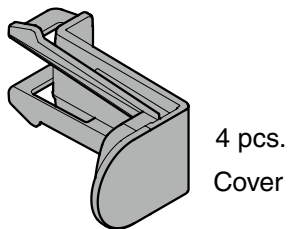
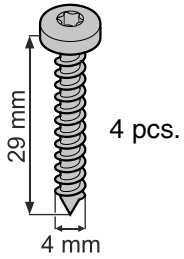
- Do not use a power strip.



Failure to follow these instructions may result in fire, electrical shock or death.

PLANNING INFORMATION

Supplied Accessories



Appliance Venting

Important
The area of ventilation above the unit should be at least 31 square inches (200 cm²).

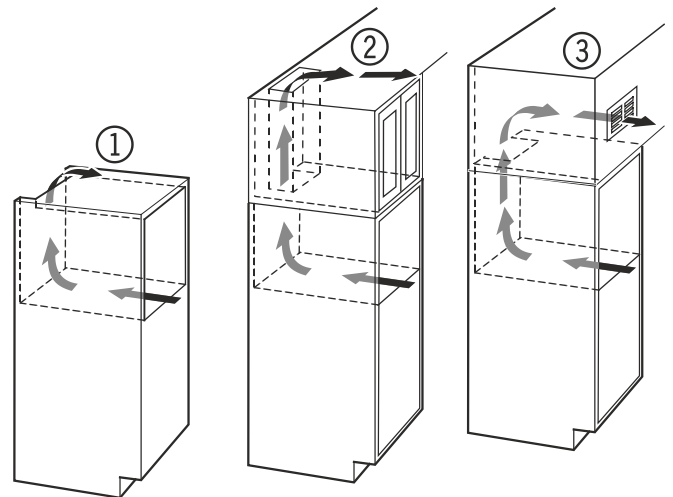
The air supply passes below the appliance door.

No separate opening required for air supply.



Types of Air Outlet

- ① Directly above the appliance
- ② Above the top unit
- ③ From the front of the top unit with decor grille



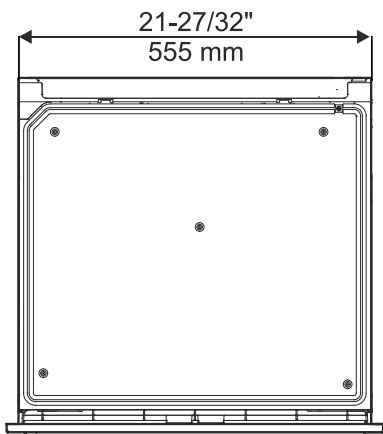
IMPORTANT

When using decor grilles, it must be taken into account that the clear ventilation cross-section corresponds to the sum of the individual openings in the grille.

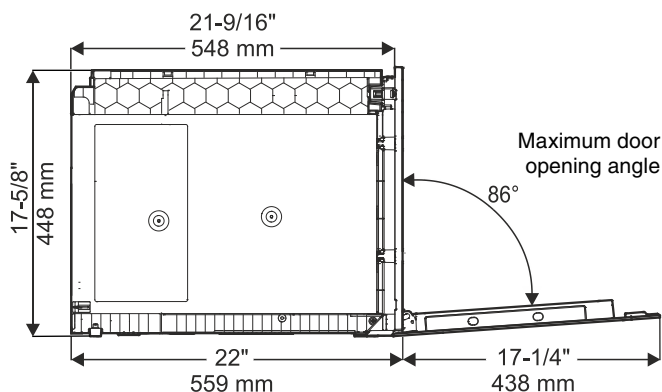
A cut-out section of merely 31 square inches (200 cm²) for installing the ventilation grille is thus not sufficient.

Appliance Dimensions

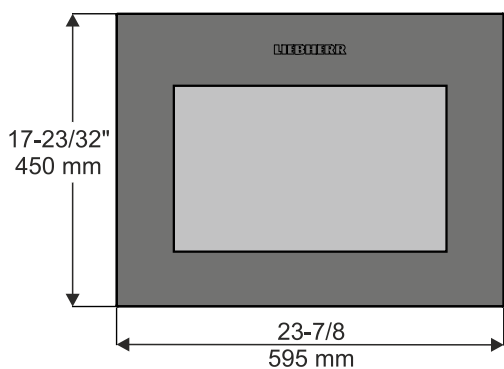
Top view



Side view



Dimensions of Appliance Door



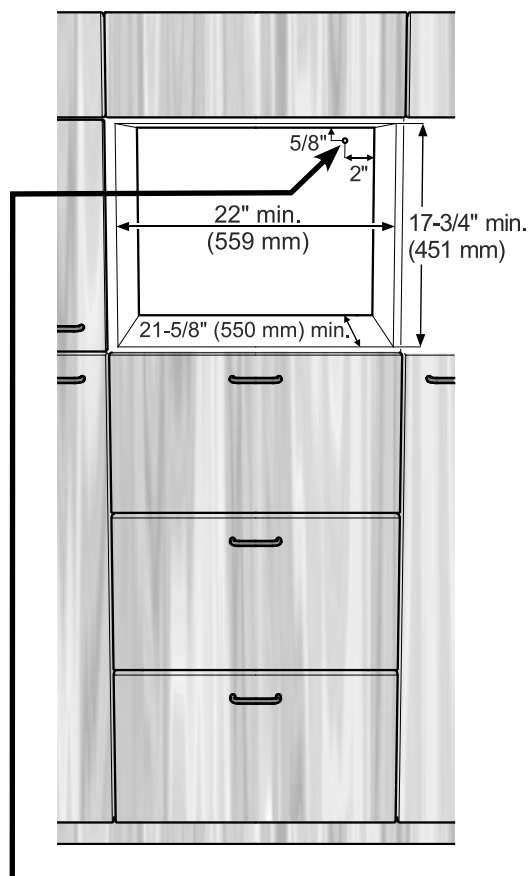
Installation Dimensions

IMPORTANT

In order to avoid any problems when installing the appliance and to avoid damage to the appliance:

The kitchen units must be aligned horizontally and vertically.

Minimum wall thickness of the body of the unit = 5/8" (16 mm).



This is where the power cord extends from the back of the appliance.

Free length of the power cord = 90 - 1/2 inch (2300 mm)

Be sure to take these specifications into consideration when choosing the location of the electrical outlet.

IMPORTANT

The power plug must be easily accessible so that the appliance can be disconnected from the mains quickly in an emergency. It must not be behind the back of the appliance.

INSTALLATION

Installing the Appliance

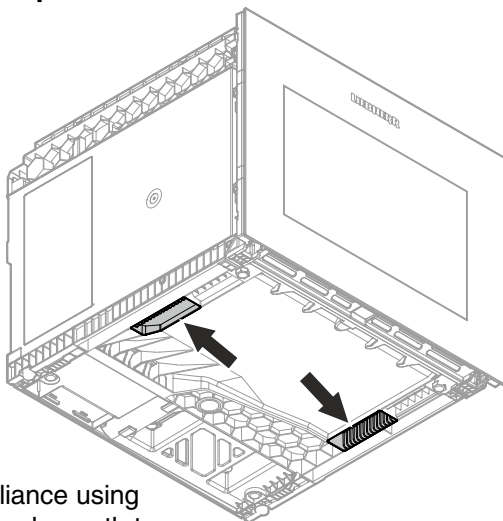


CAUTION!

Risk of damage and injury if the appliance falls.

Do not install the appliance alone.

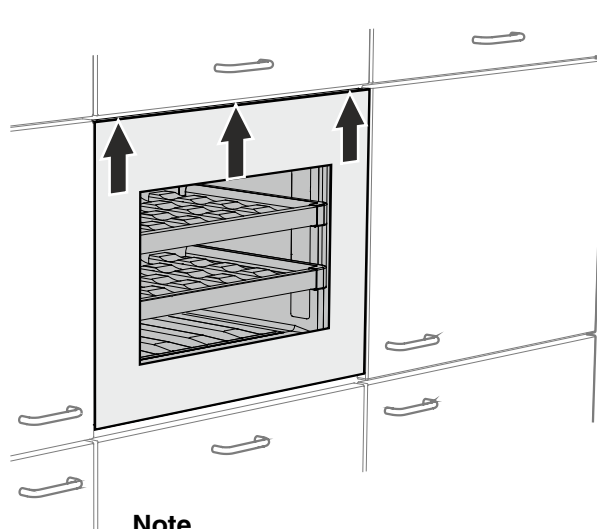
Fitting and removing the appliance is a job for two people.



Note

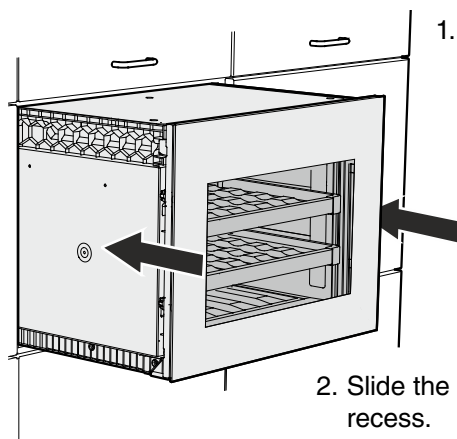
Hold the appliance using the handles underneath to transport it.

3. Check the height alignment of the appliance.



Note

The appliance must be removed from the recess to adjust the feet on its underside.



1. Route the power cord towards the electrical outlet.

2. Slide the appliance into the recess.

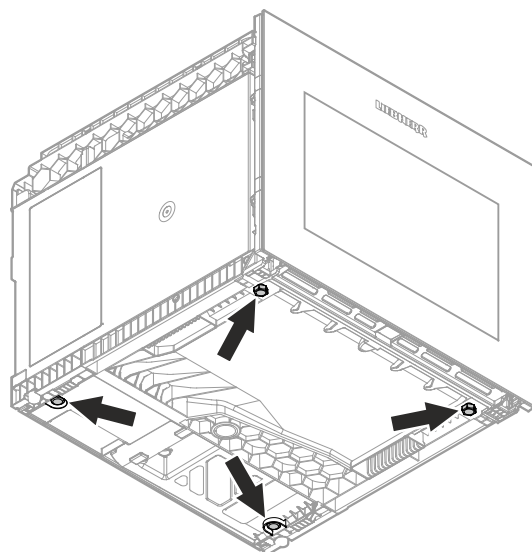
IMPORTANT

When sliding in the appliance, make sure not to damage the power cord.



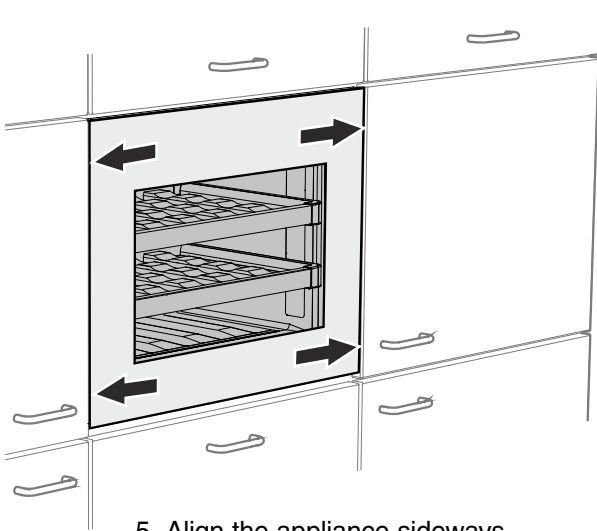
WARNING!

Immediately replace any power cord that has become frayed or shows signs of damage.

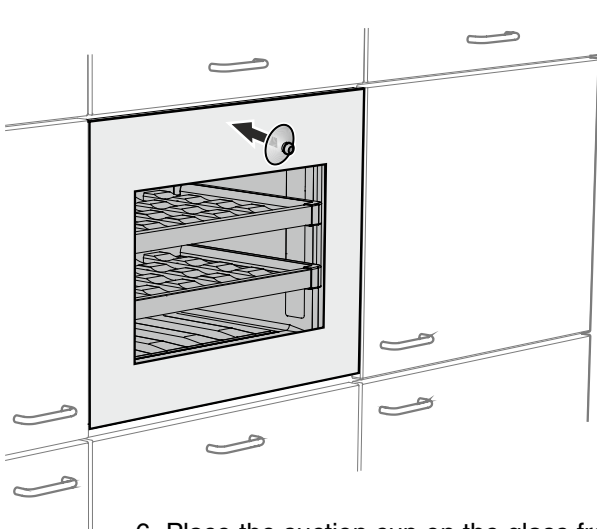


4. Adjust the feet to the required height if necessary. The feet can be turned by hand; if they do not turn easily, use the open-end wrench provided.

Slide the appliance into the recess.

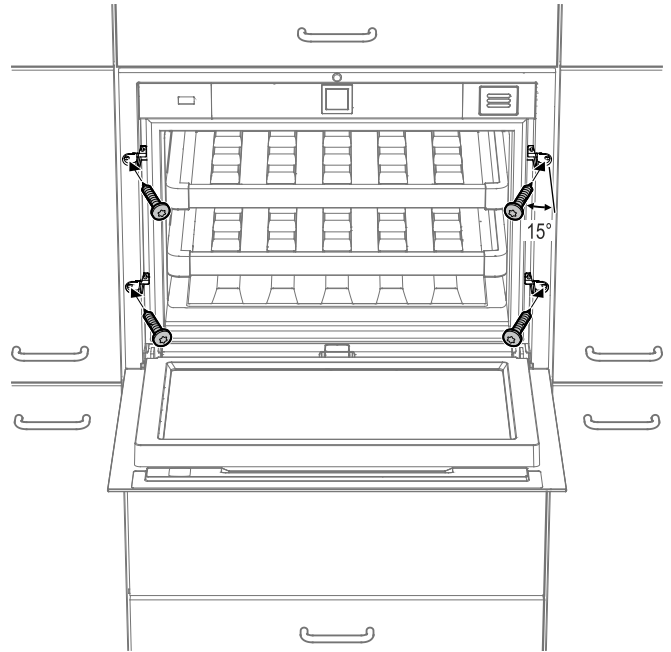


5. Align the appliance sideways.



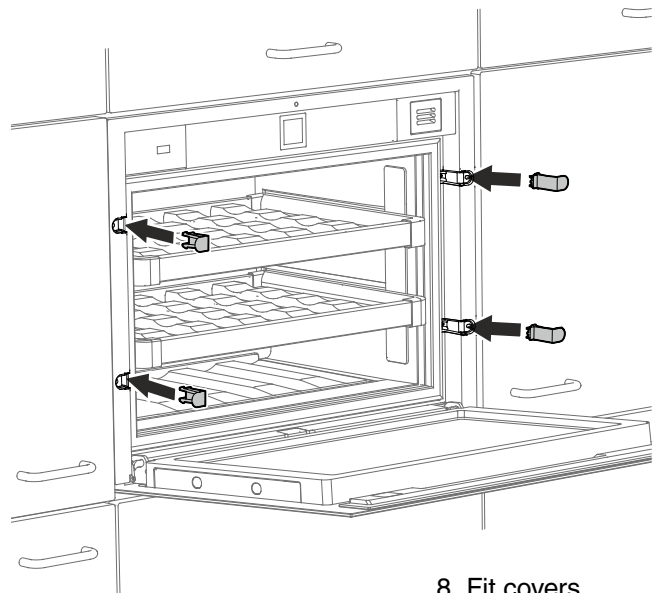
6. Place the suction cup on the glass front and use it to open the appliance door.

7. Secure the appliance to the kitchen unit using four screws (4 x 29).



IMPORTANT

Insert the screws into the kitchen unit side panel at a slight angle (approximately 15°).



8. Fit covers.

Installation is now complete.