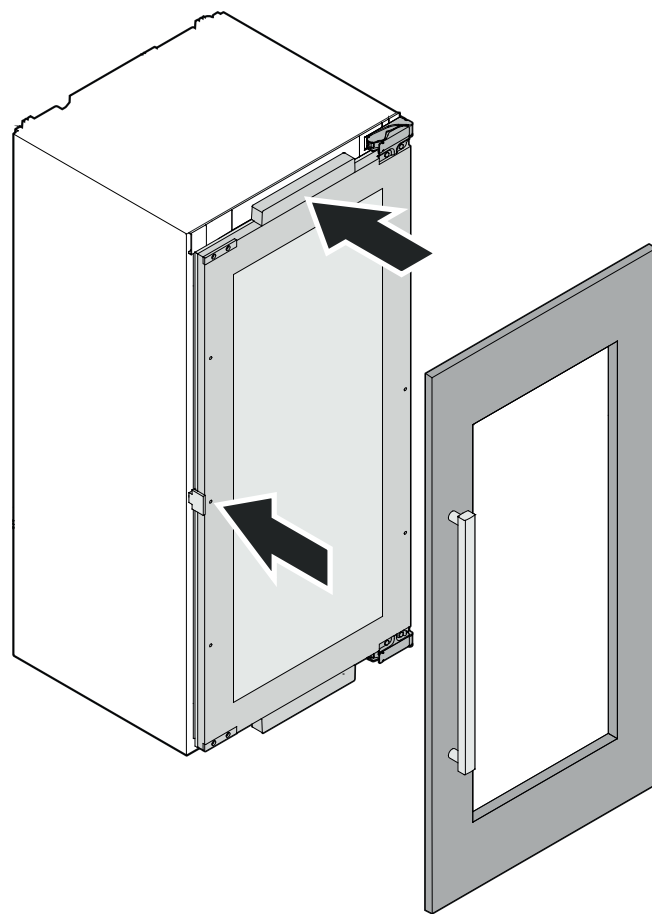
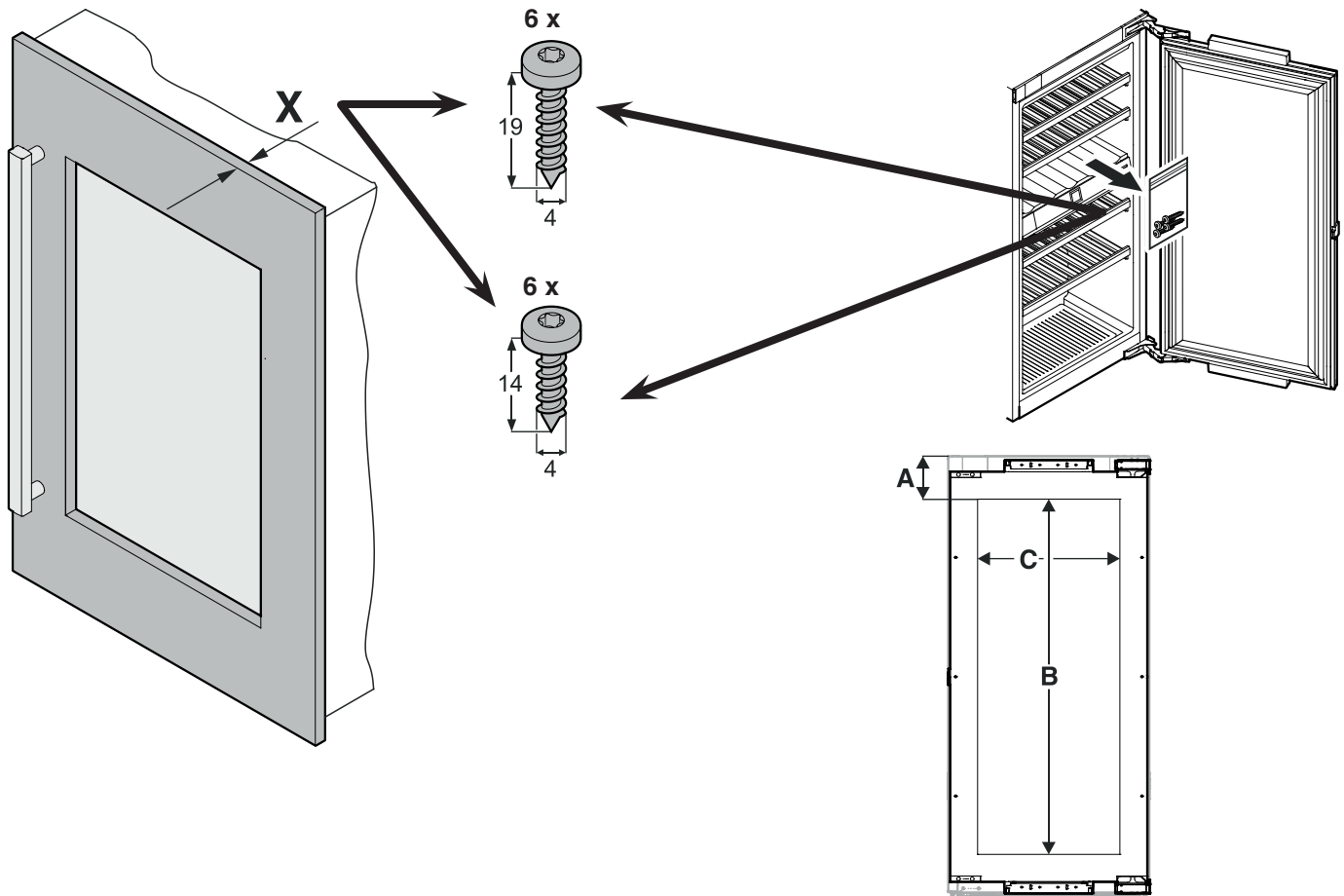


LIEBHERR

Assembly instructions

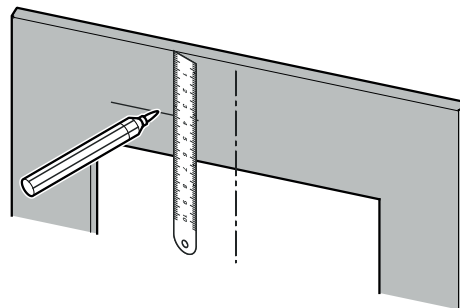
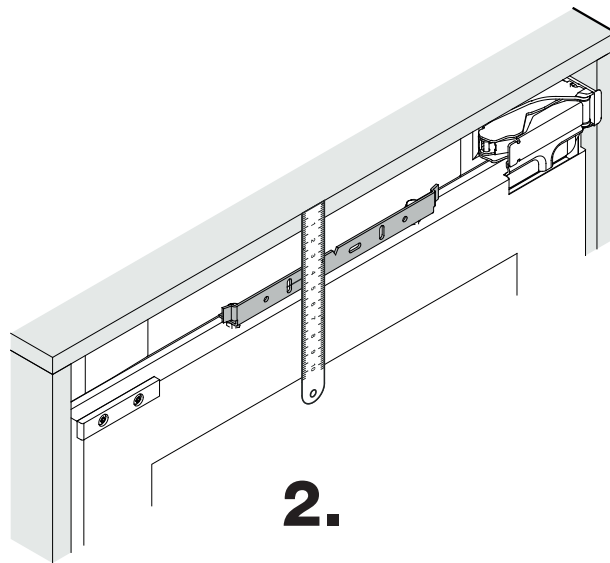
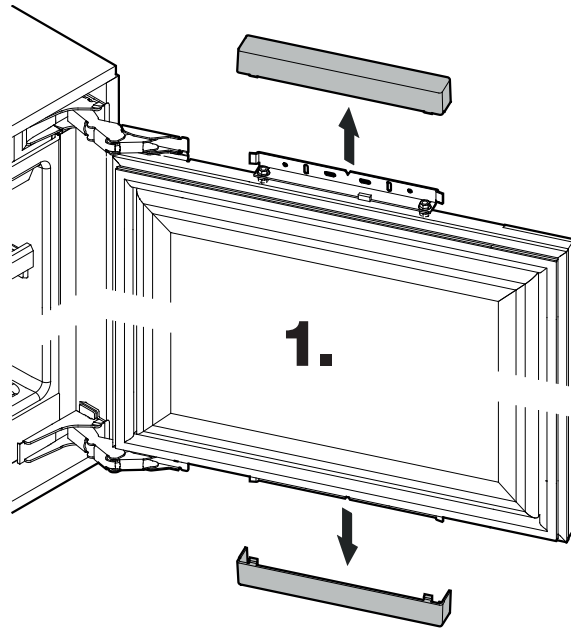


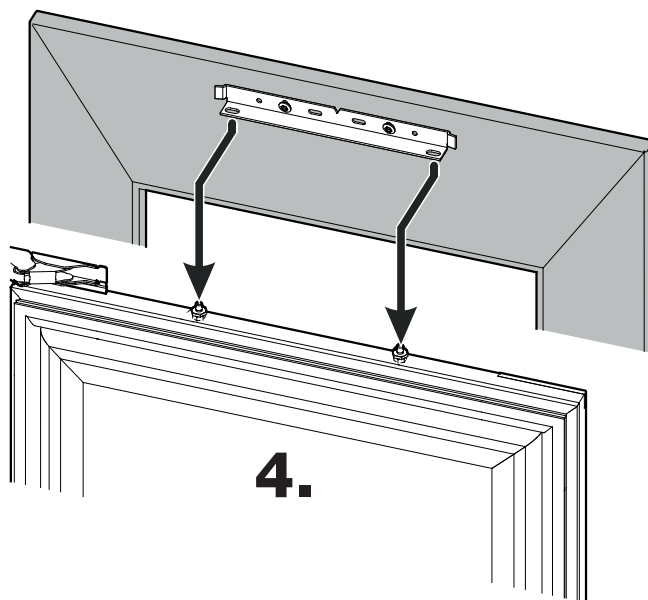
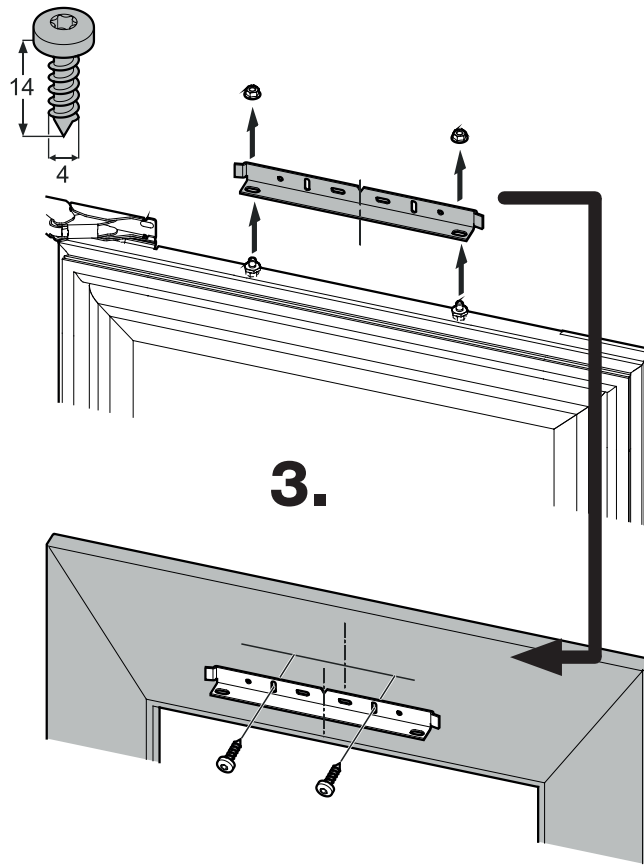
HW 3000, HW 4800, HW 8000
7085 011-00

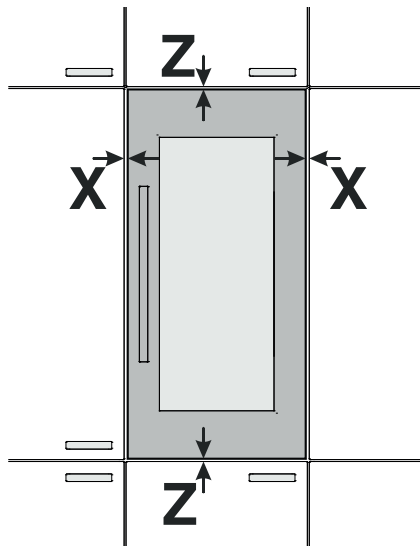
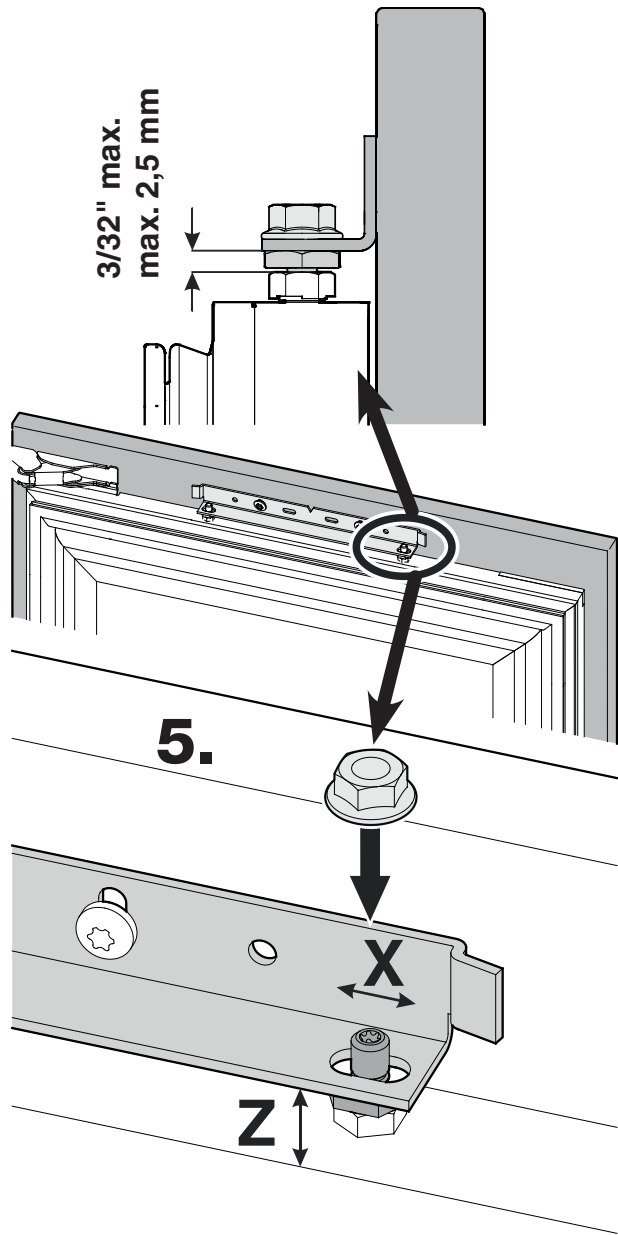


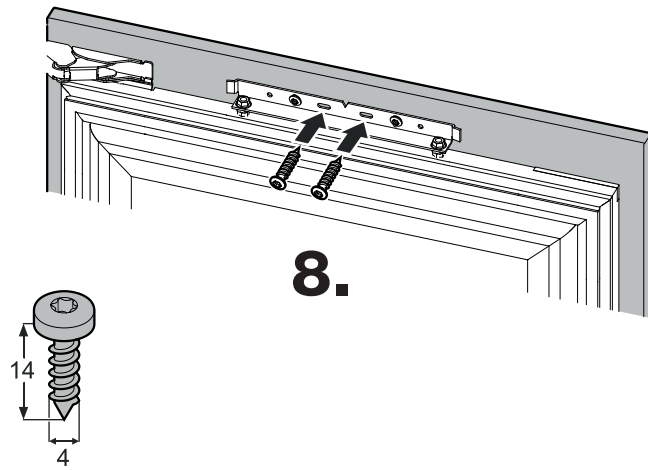
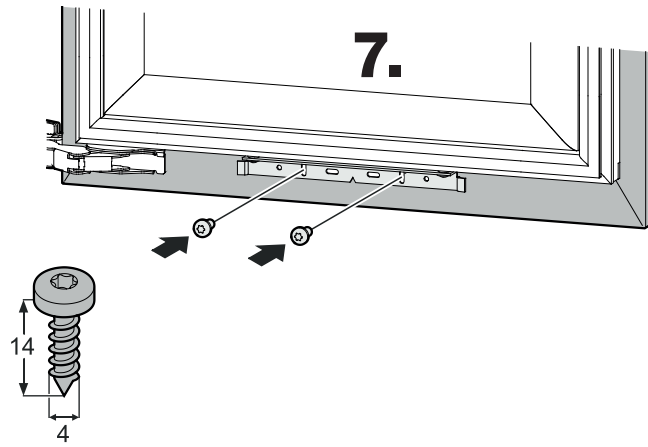
Panel Dimension max.									
	A		B		C		X		
HW 3000	min. 119mm	4-11/16" min.	max. 637mm	25-1/16" max	max. 395mm	15-9/16" max.	min. 16mm max. 22mm	5/8" min. 7/8" max.	44lbs max. max. 20kg
HW 4800			max. 983mm	38-11/16" max.					
HW 8000			max. 1535mm	60-7/16" max.					

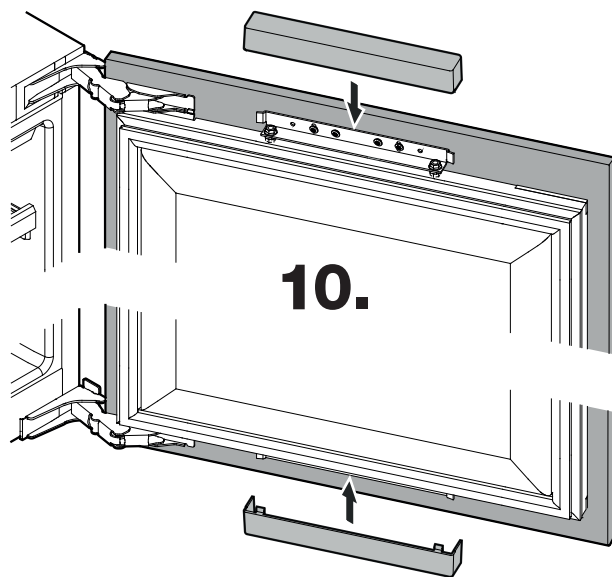
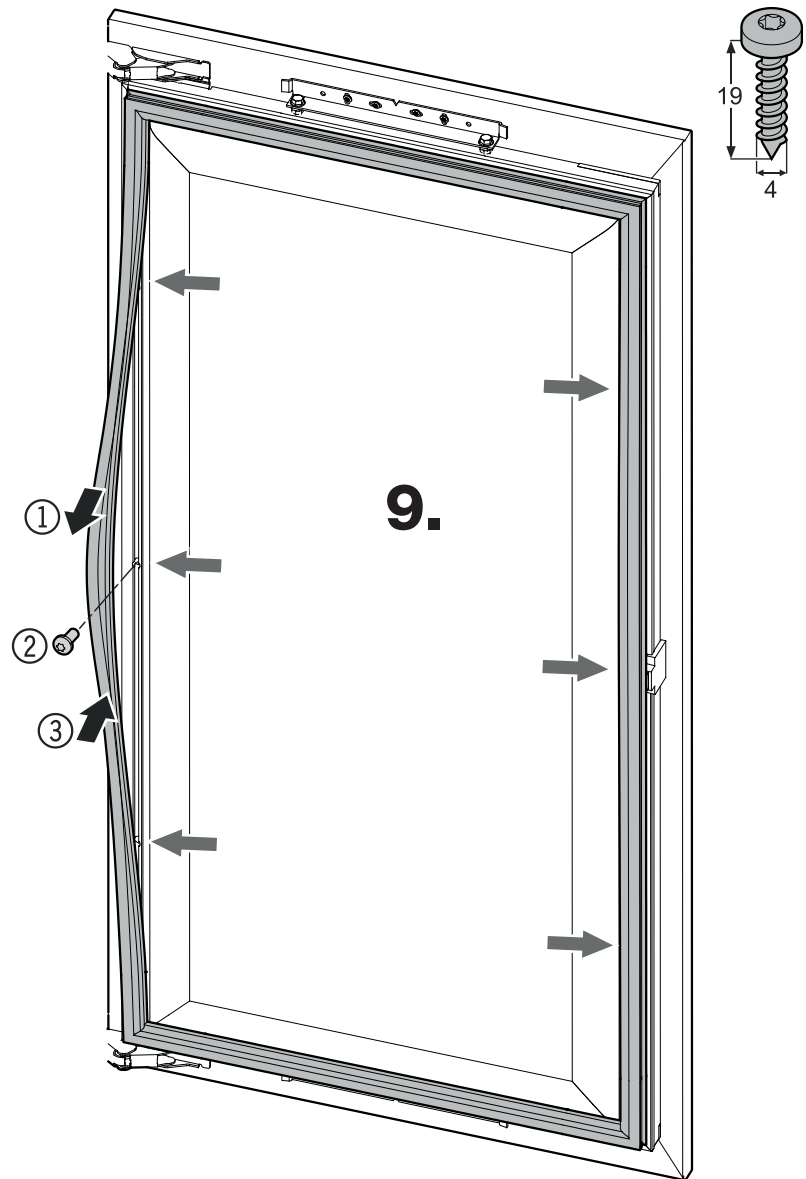
Panel Dimension for aluminium profil frames with thickness X (accessories)									
	A		B		C		X		
HW 3000	133mm	5-1/4"	594mm	23-3/8"	391mm	15-3/8"	3/4" (19mm) or 7/8" (22mm)		
HW 4800	152mm	6"	921mm	36-1/4"					
HW 8000	133mm	5-1/4"	1504mm	59-3/16"					











For Service in the U.S.

Liebherr Service Center

Toll Free: **1-866-LIEBHER** or **1-866-543-2437**

Email: Service-appliances.us@liebherr.com

PlusOne Solutions, Inc.

3501 Quadrangle Blvd, Suite 120

Orlando, FL 32817

For Service in Canada

Liebherr Service Center

Toll Free: **1-888-LIEBHER** or **1-888-543-2437**

www.euro-parts.ca

EURO-PARTS CANADA

39822 Belgrave Road

Belgrave, Ontario, N0G 1E0

Phone: (519) 357-3320

Fax: (519) 357-1326



www.liebherr-appliances.com