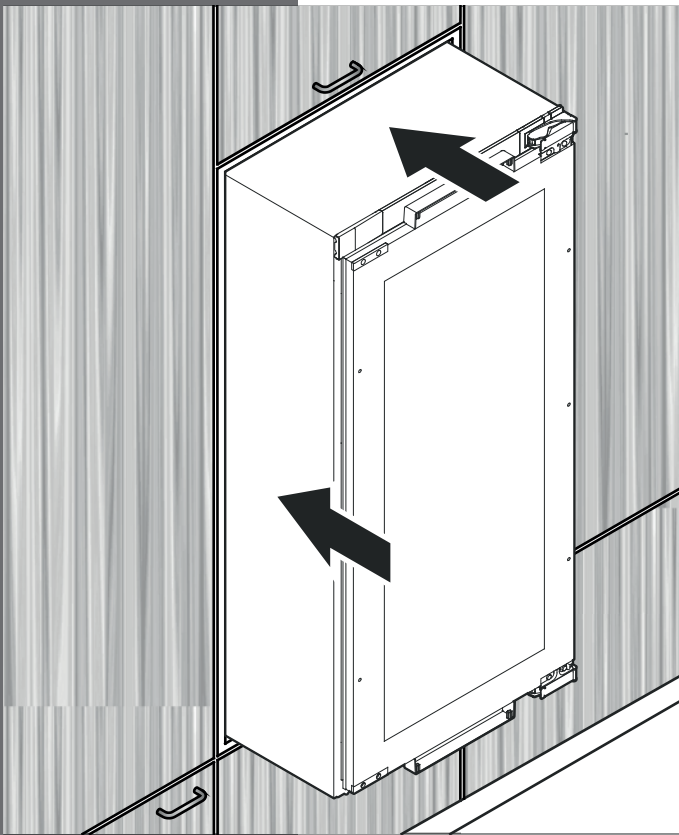


LIEBHERR

Installation Instructions

For Wine Cooler



HW 3000, HW 4800, HW 8000
7085 009-00

TABLE OF CONTENTS

Please Read and Follow These Instructions

These instructions contain Danger, Warning and Caution notes.

This information is important for safe and efficient installation and operation.

Always read and comply with all Danger, Warning and Caution notes!



DANGER!

Danger indicates a hazard which will cause serious injury or death if precautions are not followed.



WARNING!

Warning indicates a potentially hazardous situation which, if not avoided, could result in death or serious injury.



CAUTION!

Caution indicates a potentially hazardous situation which, if not avoided, may result in minor or moderate injury.

IMPORTANT

This indicates information that is especially relevant to a problem-free installation and operation.

Note to the Installer

It is very important to follow the instructions in the manual to ensure proper installation and operation of the unit.

Before installing the unit, be sure to thoroughly read and understand all of the information in this manual.

Contents

Page

Please Read and Follow These Instructions	2
Note to the Installer.....	2
R600a Refrigerant	2
Blocking for Safety.....	3
Disposal of Old Appliance	3
Important Safety Information.....	3
Disposal of Carton	3
Electrical Safety	3
Supplied Accessories	4
Transporting the Appliance.....	5
Appliance Venting.....	5
HW 3000 Appliance Dimensions	6
Installation Dimensions.....	7
HW 4800 Appliance Dimensions	8
Installation Dimensions.....	9
HW 8000 Appliance Dimensions	10
Installation Dimensions.....	11
Installation Dimensions 84"	11
Installing the Appliance.....	12
Changing Over Door Hinges	16

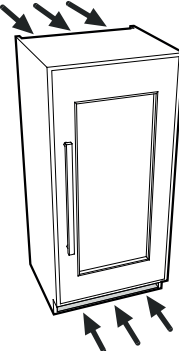
R600a Refrigerant



WARNING!

The refrigerant R600a contained within the appliance is environmentally friendly, but flammable. Leaking refrigerant can ignite.

To prevent possible ignition, follow the warnings below:

- **Keep ventilation openings, in the appliance enclosure or in the built-in structure, clear of obstruction.** 
- **Do not damage the refrigerant circuit.**
- **Any repairs and work on the appliance should only be performed by the customer service department.**
- **Component parts and power cords shall be replaced with like components performed by factory authorized service personnel only.**

Blocking for Safety

⚠ WARNING!

To avoid a hazard due to instability of the appliance, it must be fixed in accordance with the instructions.

Disposal of Old Appliance

⚠ DANGER!

Risk of child entrapment.

Child entrapment and suffocation are not problems of the past.

Junked or abandoned refrigerators are still dangerous – even if they will sit for “just a few days.”

If you are getting rid of your old refrigerator, please follow these instructions to help prevent accidents.

Before you discard old appliances:

- **Take off the doors.**
- **Leave the shelves in place so that children may not easily climb inside.**
- **Cut off the power cord from the discarded appliance. Discard separately from the appliance.**
- **Be sure to follow your local requirements for disposal of appliances.**

Contact the trash collection agency in your area for additional information.

Important Safety Information

- To prevent injury to you or damage to the unit, the appliance should be unpacked and set up by two people.
- If the appliance is damaged on delivery, contact the supplier immediately before connecting it to the power source.
- To guarantee safe operation, ensure that the appliance is set up and connected as described in this manual.
- When disconnecting the appliance, always pull it out by the plug; never pull on the cable.
- To protect the appliance from possible damage, allow it to stand 1/2 to 1 hour in place before turning on the electricity. This allows the refrigerant and system lubrication to reach equilibrium.

Disposal of Carton

The packaging is designed to protect the appliance and individual components during transport and is made of recyclable materials.

⚠ WARNING!

Keep packaging materials away from children. Polythene sheets and bags can cause suffocation!

If possible, please recycle packaging material at a recycling facility.

Electrical Safety

Connect this appliance to a 15 amp or 20 amp, 110-120 VAC, circuit which is grounded and protected by a circuit breaker or fuse.

We recommend using a dedicated circuit for this appliance to prevent circuit overload and the chance of interruption to the appliance.

This appliance is equipped with a three-prong (grounding) polarized plug for your protection against possible shock hazards.

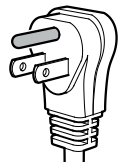
Where a two-prong wall receptacle is encountered, contact a qualified electrician and have it replaced with a properly grounded three-prong receptacle in accordance with all local codes and ordinances.

⚠ WARNING!

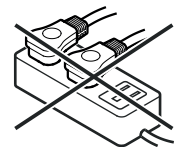
Electrocution hazard.

Electrical grounding required.

- **Do not remove the round grounding prong from the plug.**
- **Do not use extension cords or ungrounded (two-prong) adapters.**
- **Do not use a power cord that is frayed or damaged.**



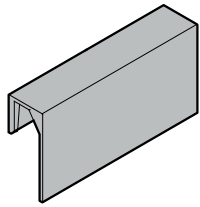
- **Do not use a power strip.**
- **Do not connect to the electrical outlet until installation has been completed.**



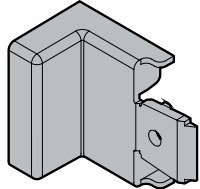
Failure to follow these instructions may result in fire, electric shock or death.

UNPACKING

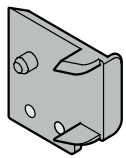
Supplied Accessories



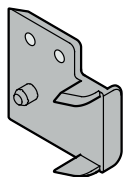
Labels
2 pcs. - HW 3000
4 pcs. - HW 4800
8 pcs. - HW 8000



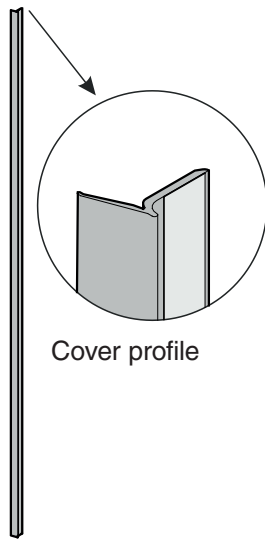
Cover



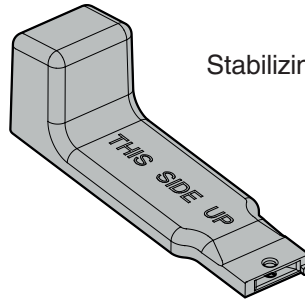
Spacer



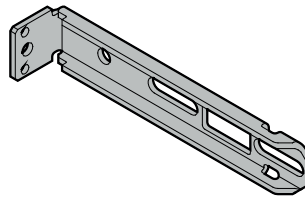
Spacer



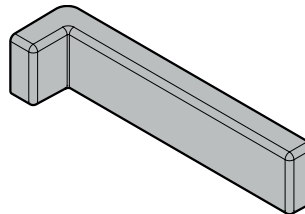
Cover profile



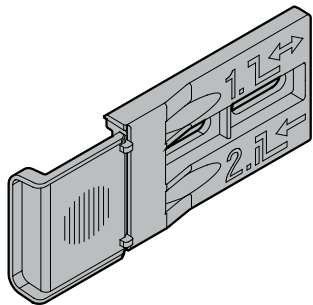
Stabilizing rail handle



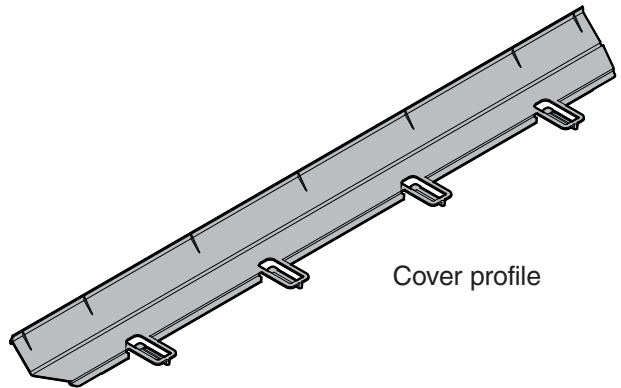
Attachment bracket



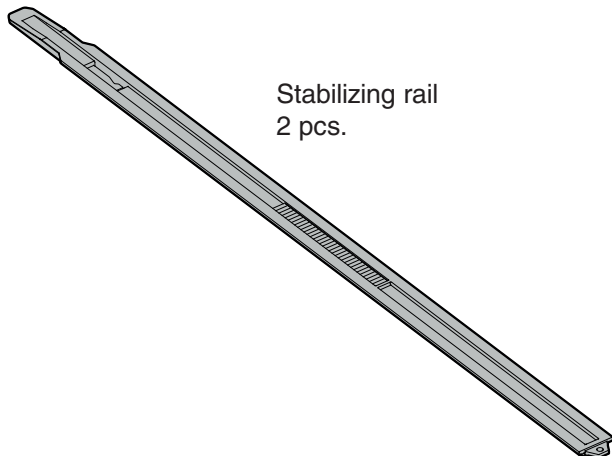
Cover



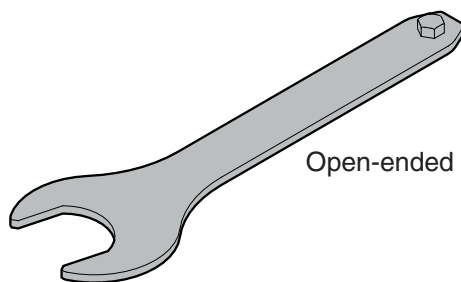
Attachment bracket



Cover profile

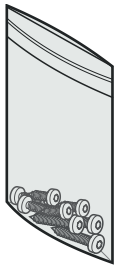
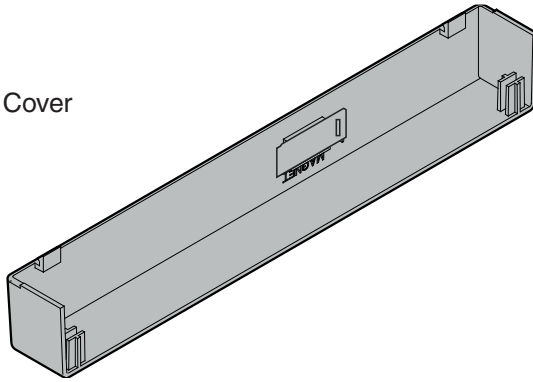


Stabilizing rail
2 pcs.

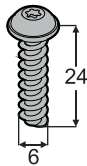


Open-ended wrench

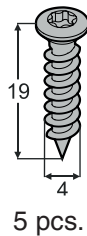
Cover



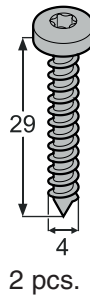
2 pcs.



2 pcs.



5 pcs.



2 pcs.

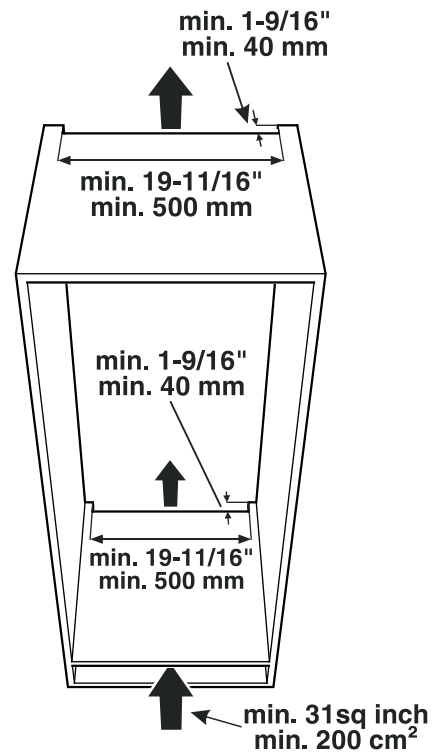
Transporting the Appliance

⚠ CAUTION!

Danger of injury or damage as a result of incorrect transport!

- Transport the appliance in a packed condition.
- Transport the appliance upright.
- Do not transport the appliance without assistance.

Appliance Venting

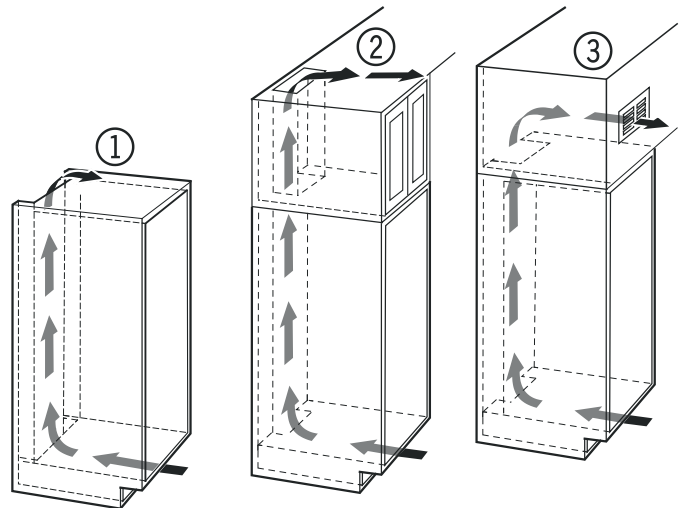


IMPORTANT

The clear ventilation cross-section must be at least 31 sq inches from the bottom to the top opening.

Types of Air Outlet

- ① Directly above the appliance
- ② Above the top cabinet
- ③ From the front of the top cabinet with decor grille



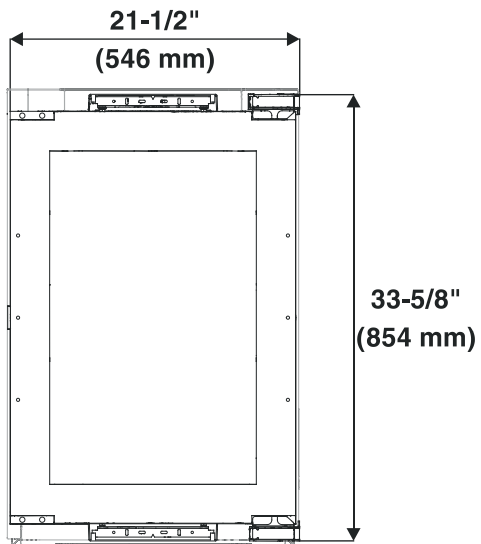
IMPORTANT

When using decor grilles, the sum of the individual openings must total a minimum of 31 square inches. A cut-out section of 31 square inches (200 cm²) for installing the ventilation grille is thus not sufficient.

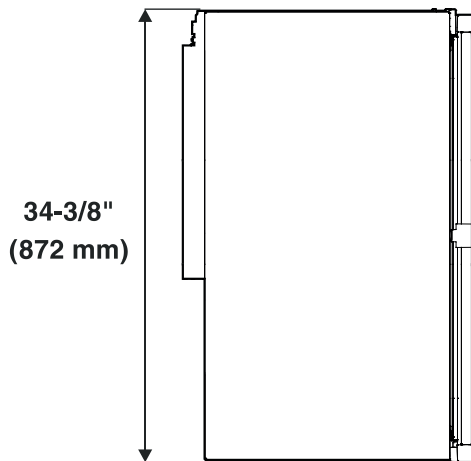
PLANNING INFORMATION

HW 3000 Appliance Dimensions

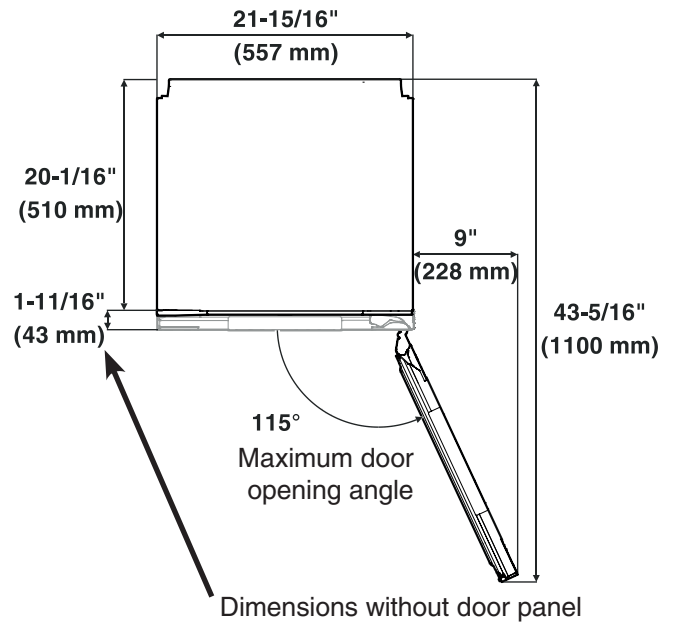
Dimensions of Appliance Door



Side View



Top View



Installation Dimensions

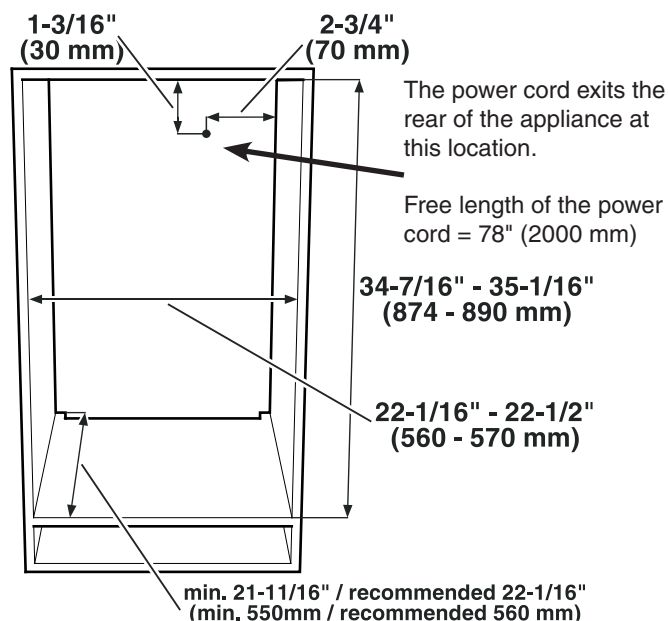
IMPORTANT

In order to avoid any problems when installing the appliance and to avoid damage to the appliance:

The floor on which the appliance stands must be horizontal and level.

The kitchen cabinets must be aligned horizontally and vertically.

Cabinet Dimensions



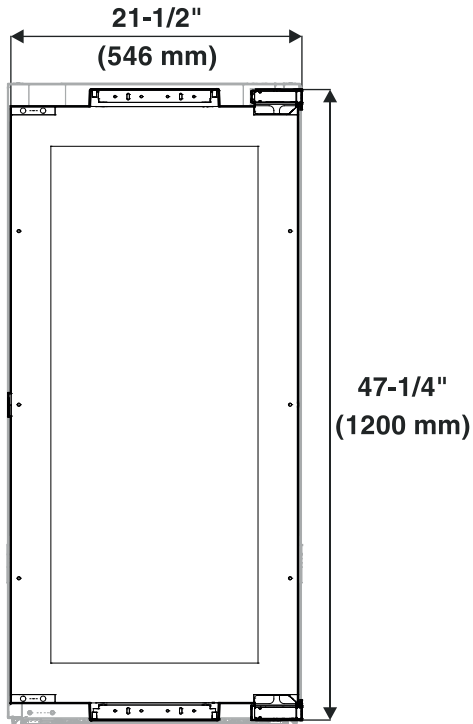
IMPORTANT

The power plug must be easily accessible so that the appliance can be disconnected from the mains quickly in an emergency. It must not be behind the back of the appliance.

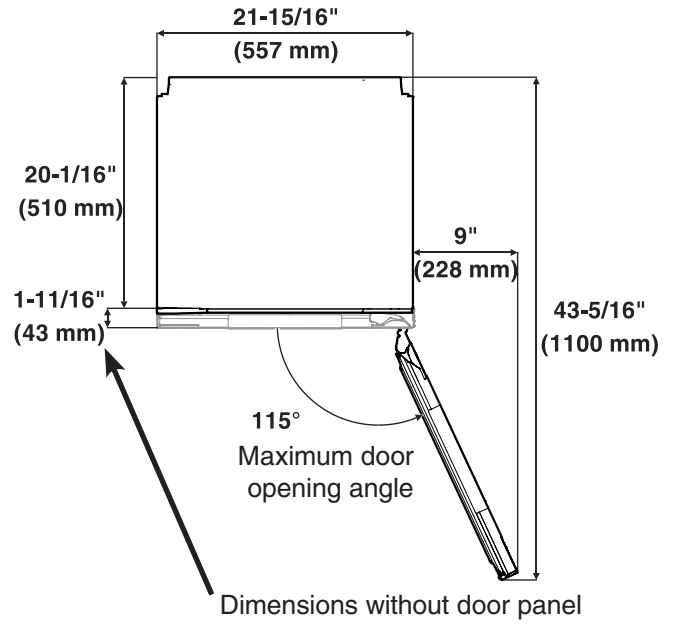
PLANNING INFORMATION

HW 4800 Appliance Dimensions

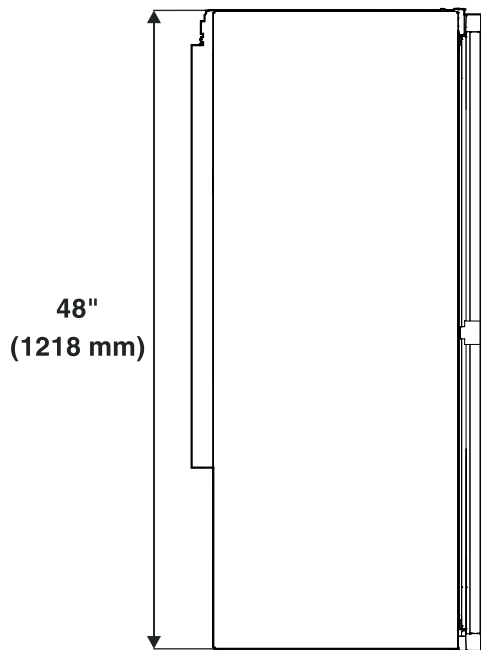
Dimensions of Appliance Door



Top View



Side View



Installation Dimensions

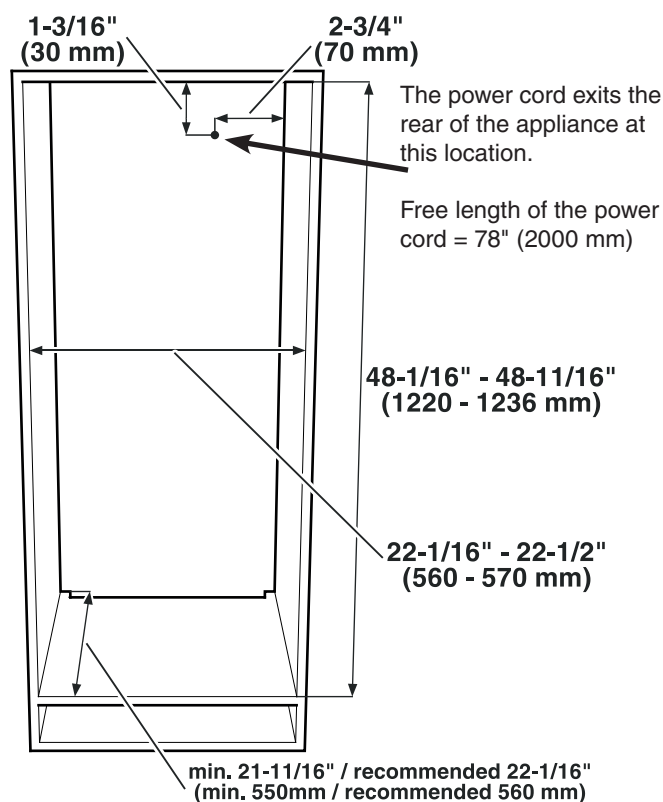
IMPORTANT

In order to avoid any problems when installing the appliance and to avoid damage to the appliance:

The floor on which the appliance stands must be horizontal and level.

The kitchen cabinets must be aligned horizontally and vertically.

Cabinet Dimensions



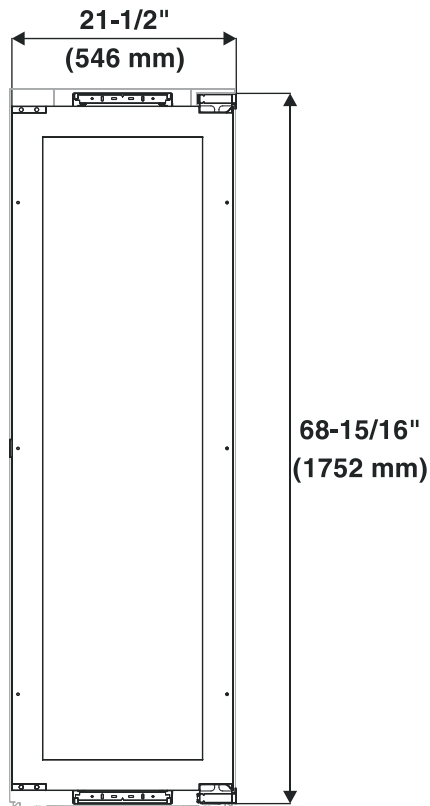
IMPORTANT

The power plug must be easily accessible so that the appliance can be disconnected from the mains quickly in an emergency. It must not be behind the back of the appliance.

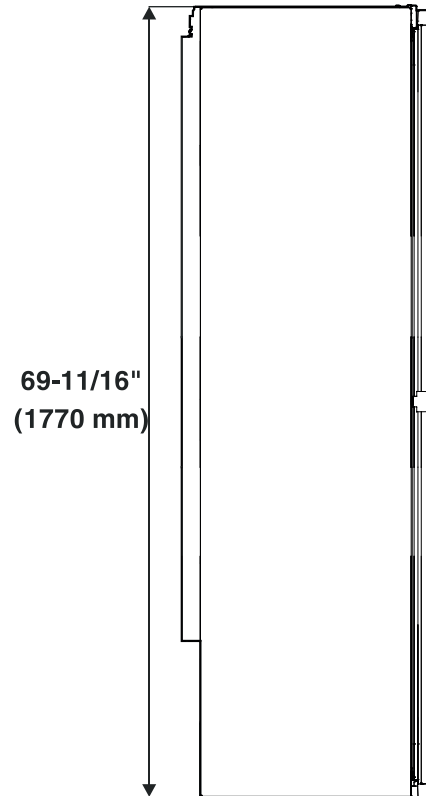
PLANNING INFORMATION

HW 8000 Appliance Dimensions

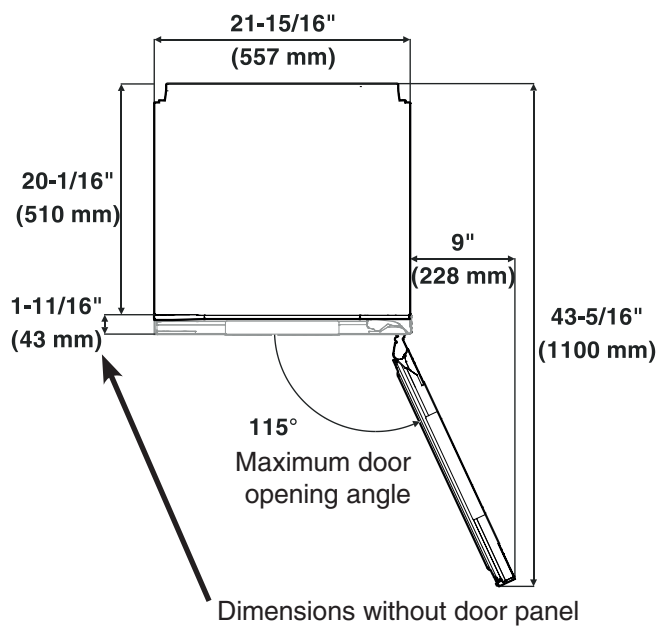
Dimensions of Appliance Door



Side View



Top View



Installation Dimensions

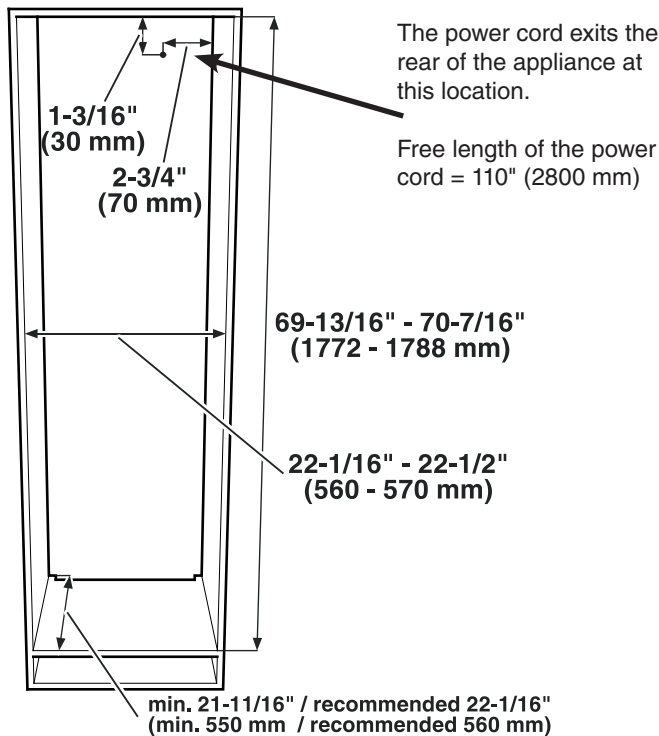
IMPORTANT

In order to avoid any problems when installing the appliance and to avoid damage to the appliance:

The floor on which the appliance stands must be horizontal and level.

The kitchen cabinets must be aligned horizontally and vertically.

Cabinet Dimensions

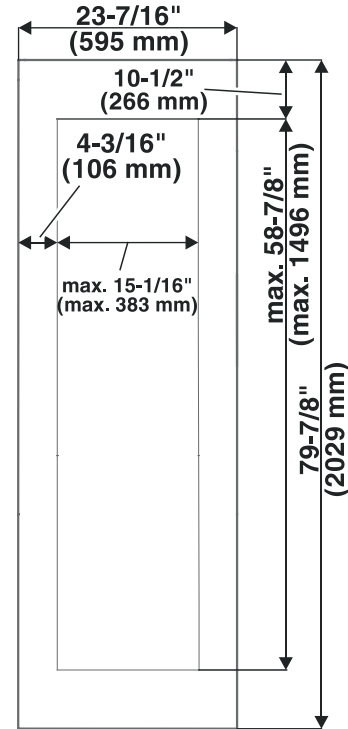


IMPORTANT

The power plug must be easily accessible so that the appliance can be disconnected from the mains quickly in an emergency. It must not be behind the back of the appliance.

Installation Dimensions for 84" niche

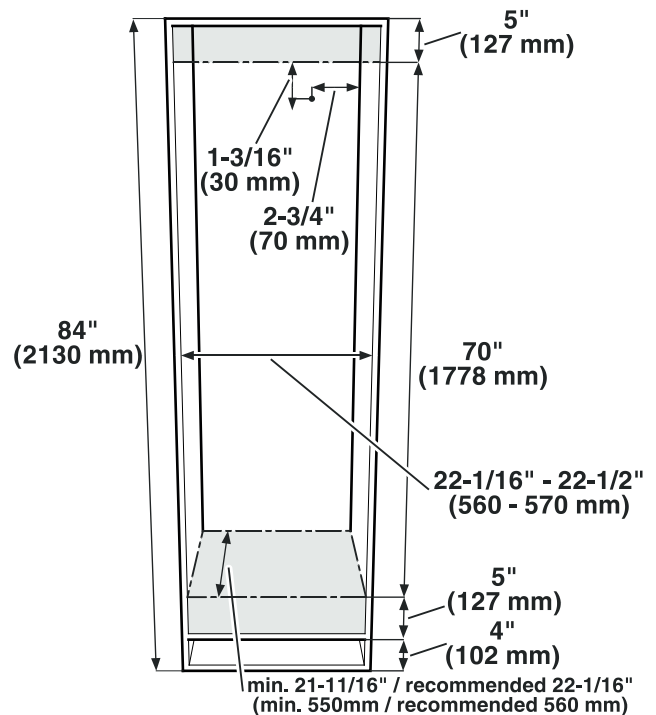
Custom panel dimensions for 84" niche



Installation in niche of 84"

This unit can be installed in an 84" niche by increasing the cabinet height by 10 inches. A 5" box is required both under and on top of the unit, as shown in cabinet dimensions illustration below:

Cabinet Dimensions for 84" niche



INSTALLATION

Installing the Appliance

The installation work should only be carried out by trained personnel.
Two people are required for the installation work.

Note

Check the installation dimensions before installation.
The intermediate panel and side wall of the kitchen cabinet must be perpendicular to each other.

! WARNING!

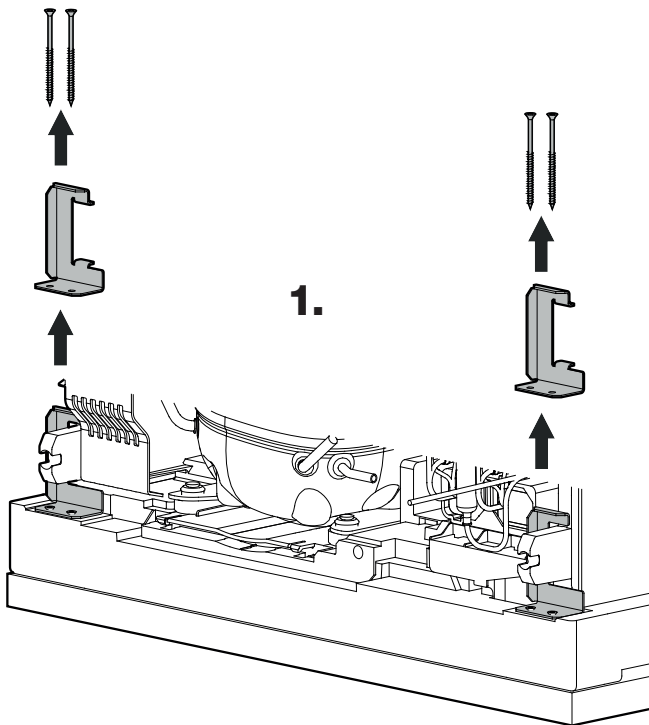
Fire hazard due to dampness!

If live parts or the power cord become damp, this may cause short circuits.

- The appliance is designed for use in enclosed areas. Do not operate the appliance outdoors or in areas where it is exposed to splash water or damp conditions.

- Only use the appliance when it is installed.

1. HW 8000 - Remove the transportation safety component.



2. Route the power cord towards the electrical outlet.



WARNING!

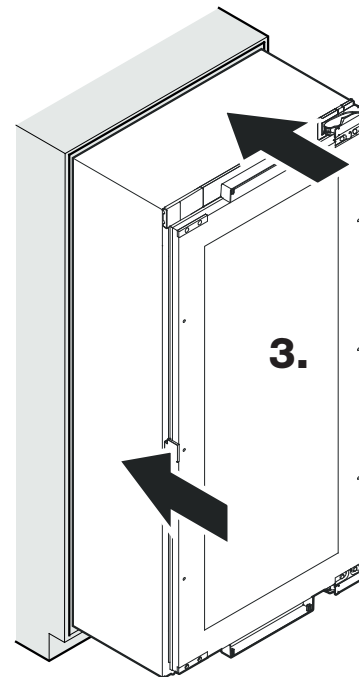
Fire hazard from short-circuiting!

- When pushing the appliance into the recess, take care not to crush, jam or damage the power cord.

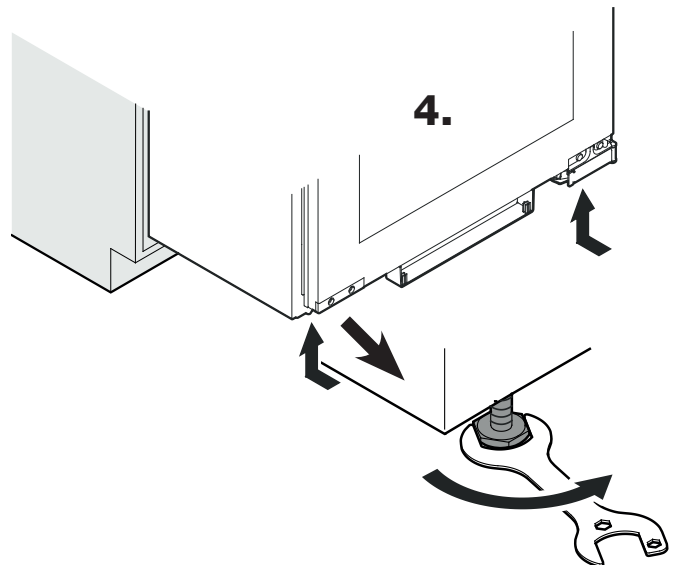
- Do not operate the appliance with a defective power cord.

3. Slide the appliance two-thirds of the way into the kitchen cabinet.

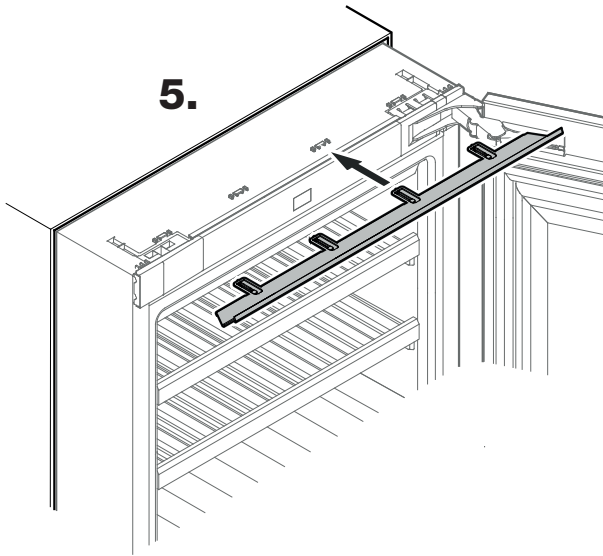
When sliding in the appliance, make sure that the power cord is not damaged.



4. Screw in the adjustable feet as far as they will go.

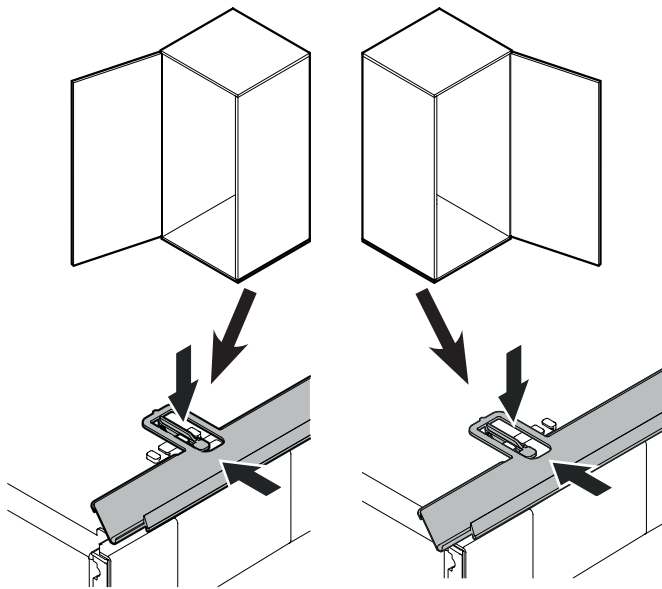


5. Fit cover profile.

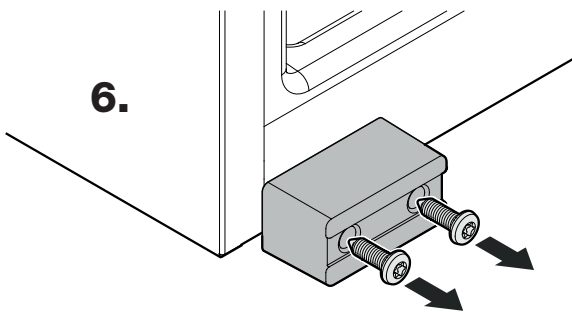


On appliances with hinges on the left

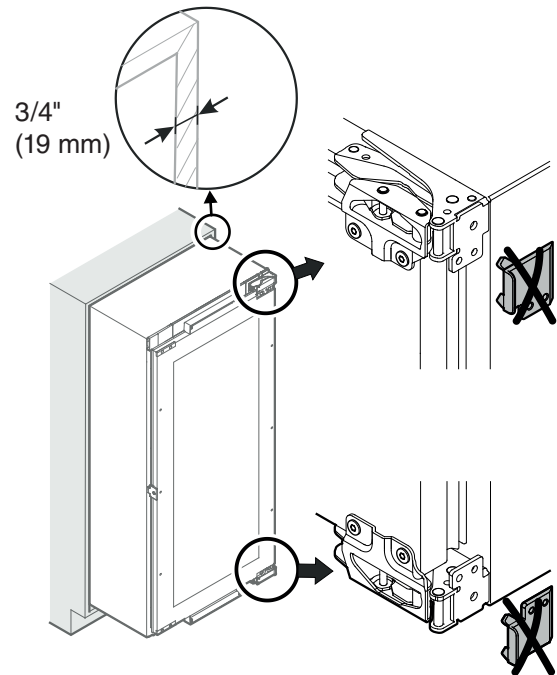
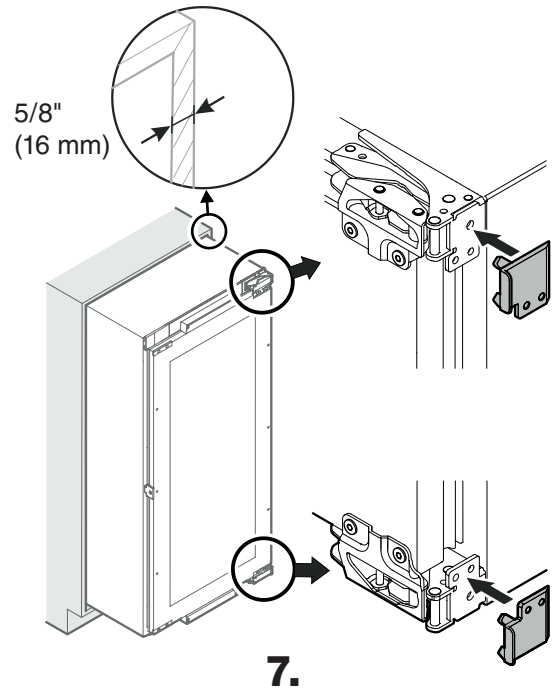
On appliances with hinges on the right



6. Remove the transportation safety component.

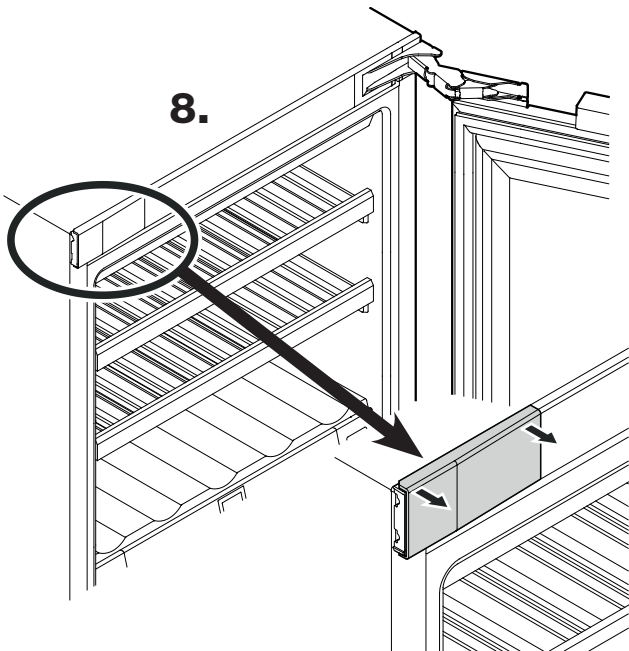


7. Only if the wall thickness is less than 3/4" (19 mm):
Fit the spacers.

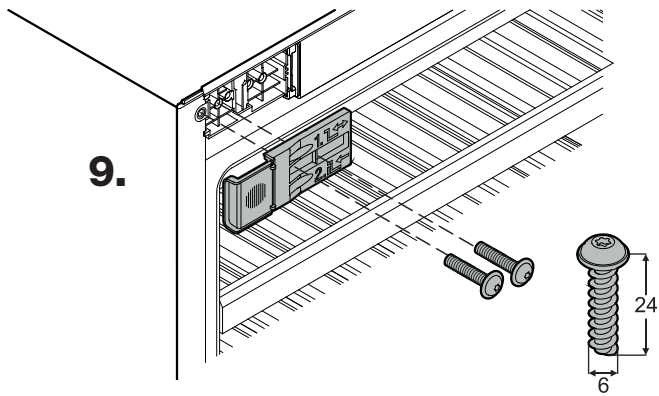


INSTALLATION

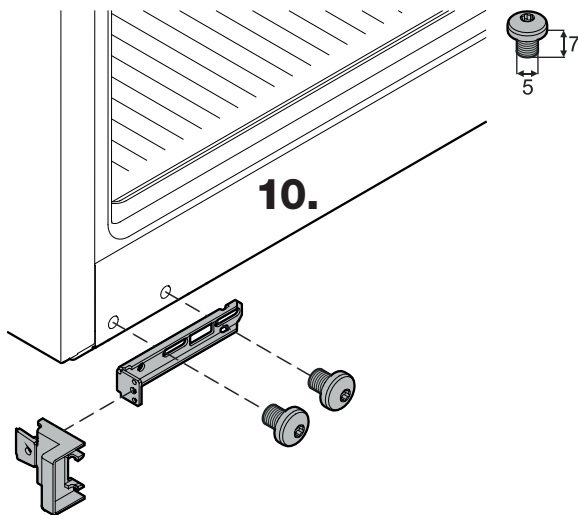
8. Remove cover.



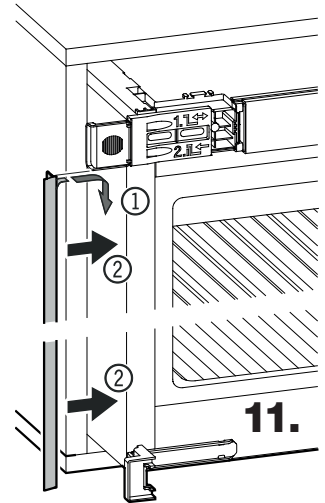
9. Screw on the attachment bracket.



10. Screw on the attachment bracket.

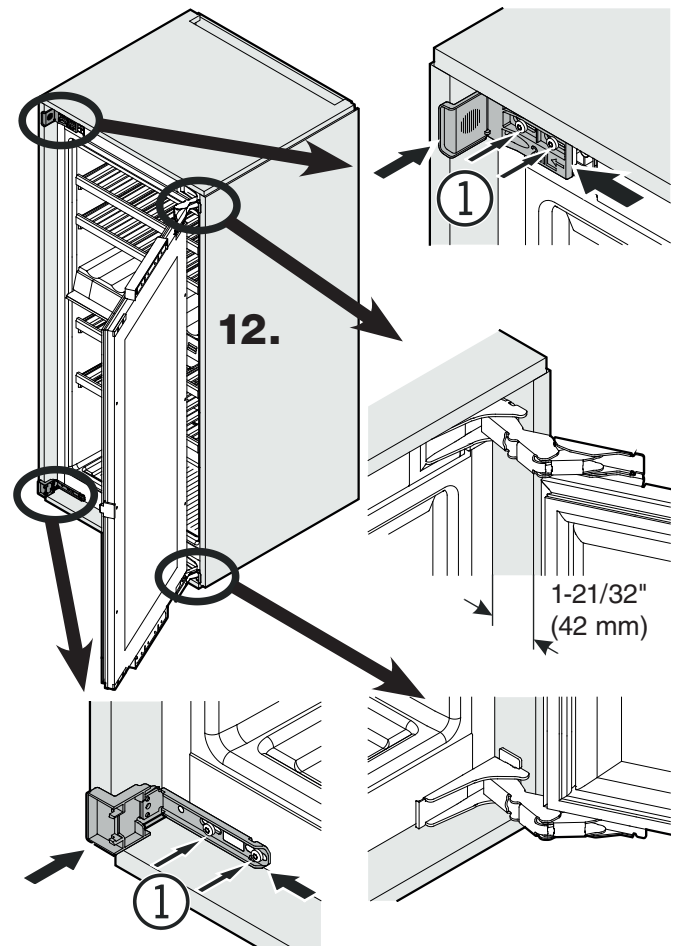


11. Fit cover profile.

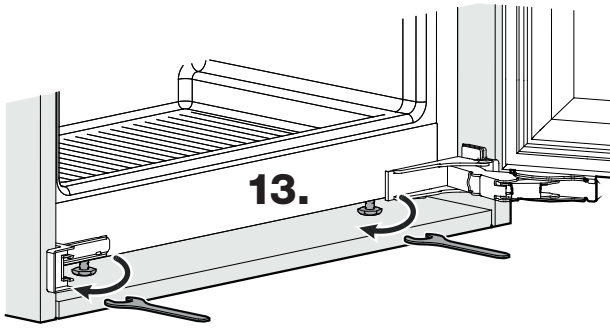


12. Slide the appliance fully into the recess.
Check that the distance is identical all the way round.

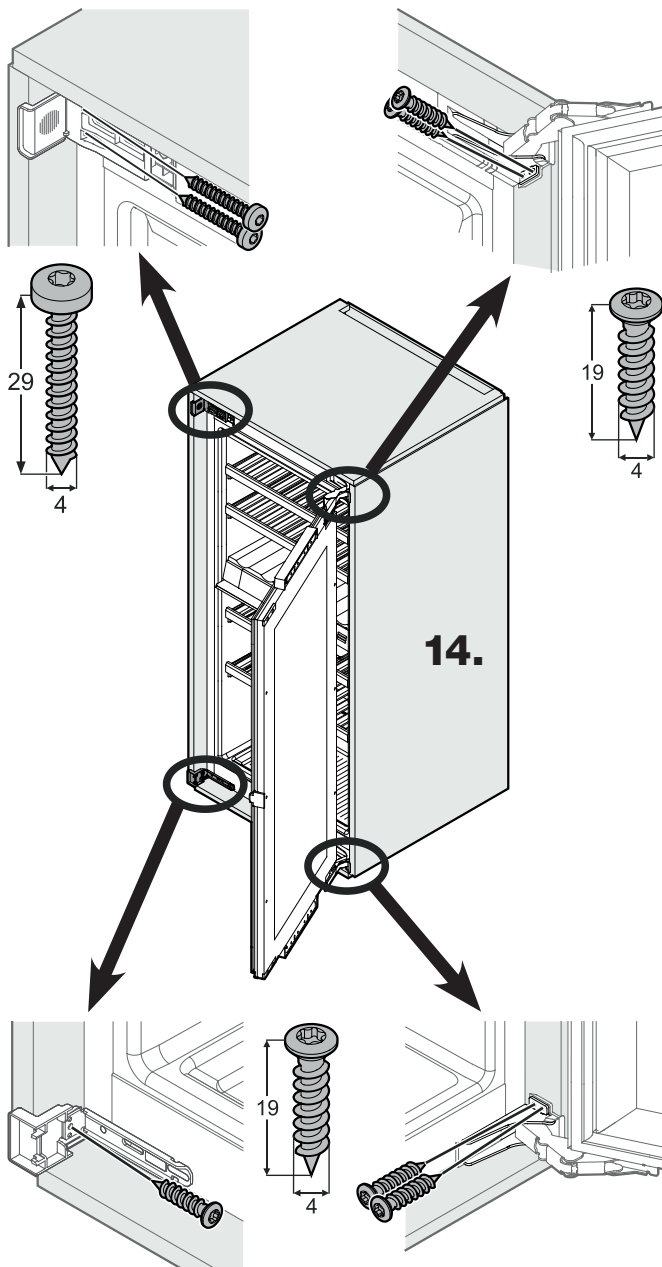
- Undo the screws ①.
- Slide bracket towards the cabinet wall.
- Tighten the screws ①.



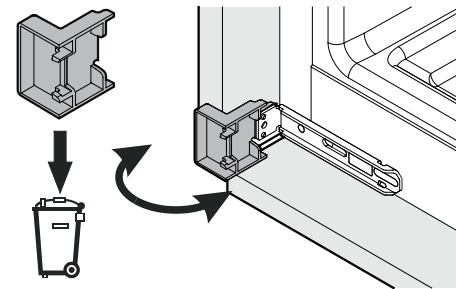
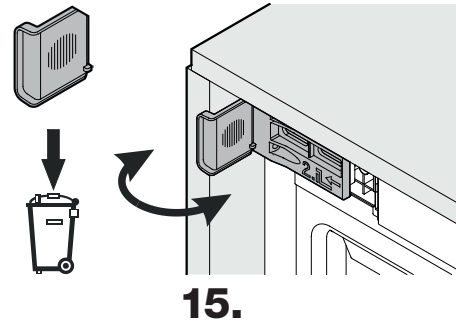
13. Adjust appliance using the adjustable feet.



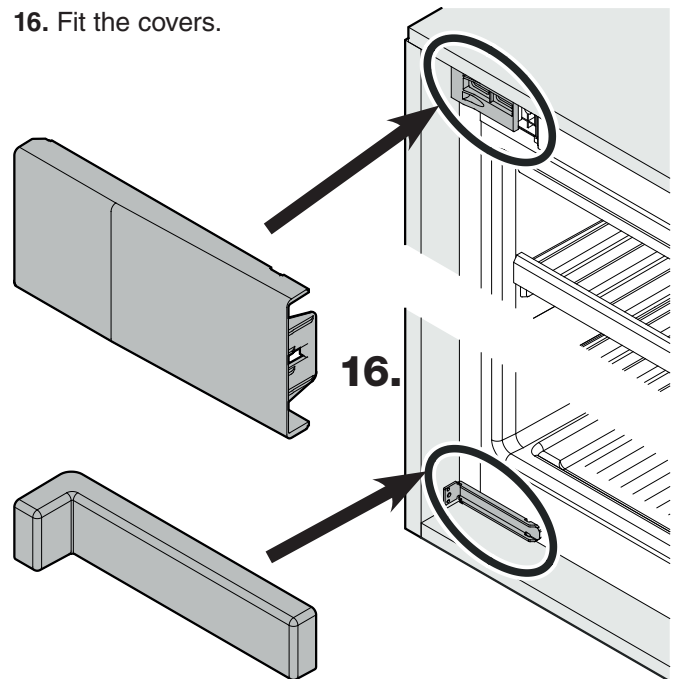
14. Secure the appliance to the kitchen cabinet using screws through the hinges and attachment brackets.



15. Snap off and remove the front part of the stop bracket.



16. Fit the covers.

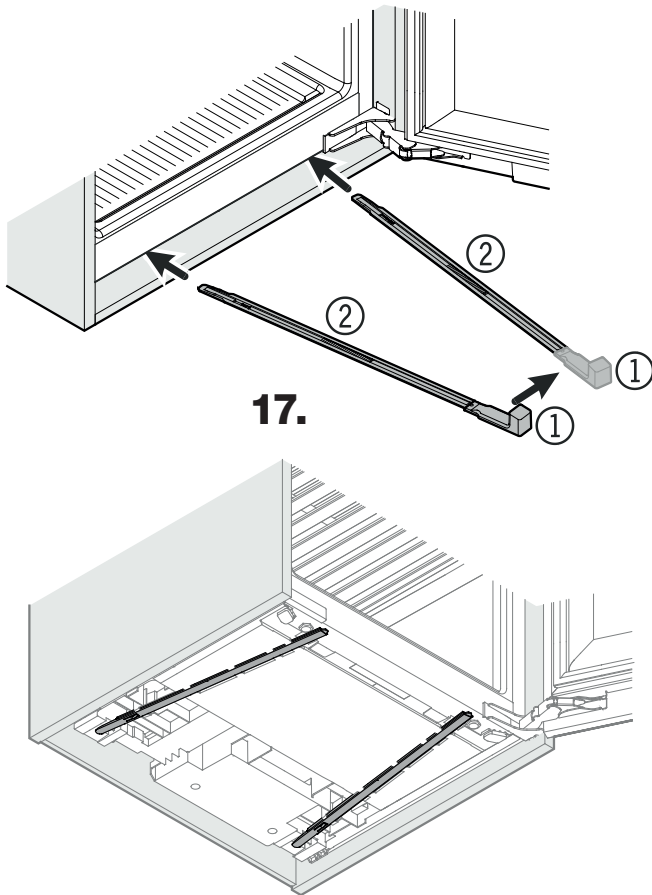


CHANGING OVER DOOR HINGES

17. Stabilize the appliance at the back at the bottom:

Fit the handle ① to the stabilizing rail ② and slide the stabilizing rail into the floor of the appliance.

Remove the handle and repeat this procedure with the second stabilizing rail.



Check that the appliance is secure in the kitchen cabinet and that the door closes properly.

Installation is now complete.

Changing Over Door Hinges

Door hinges should only be changed by a trained expert.

Changing the door hinges must be done by two people.

WARNING!

High door weight.

Danger of injury and damage to property.

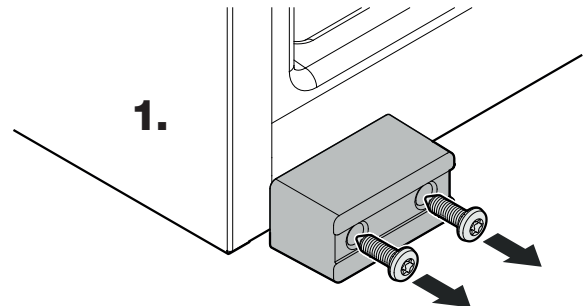
Only complete the modification work if you can lift a weight of 44 lbs (20 kg).

WARNING!

Risk of injury due to the door dropping out!

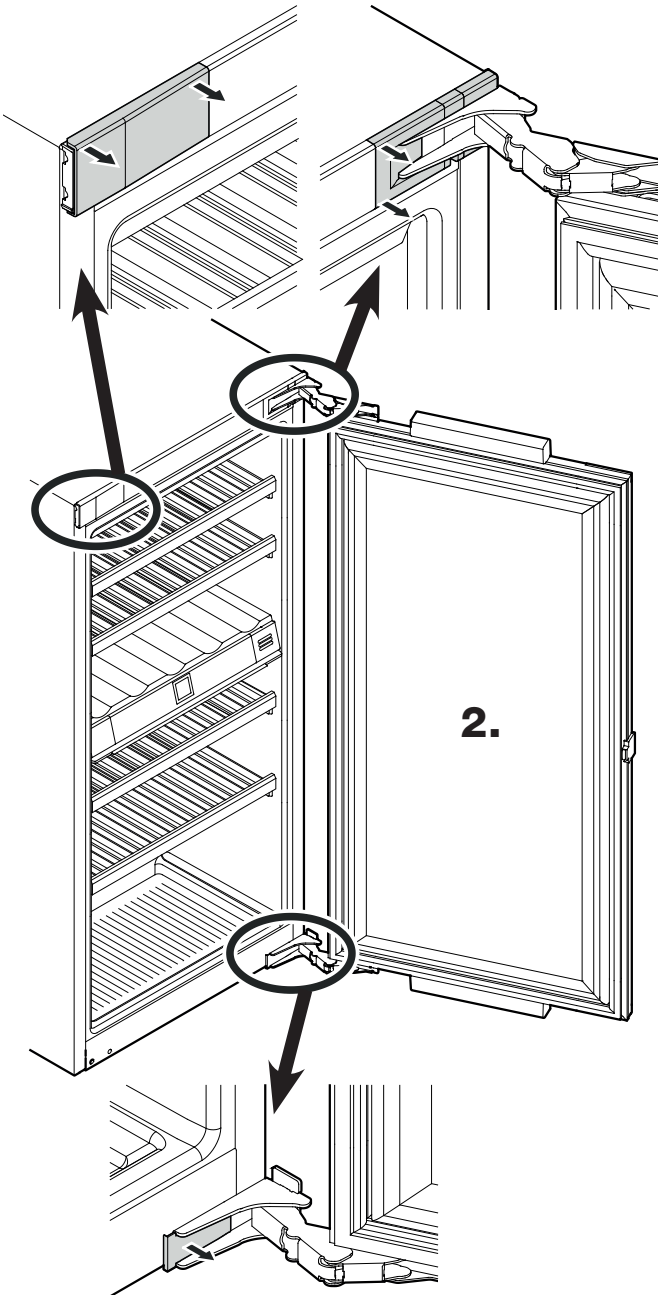
If the fastening parts are not screwed into place firmly enough, the door may drop out. This may lead to severe injuries. What is more, the door may not close and therefore the appliance may fail to cool properly.

1. Remove the transportation safety component.



CHANGING OVER DOOR HINGES

2. Remove covers.



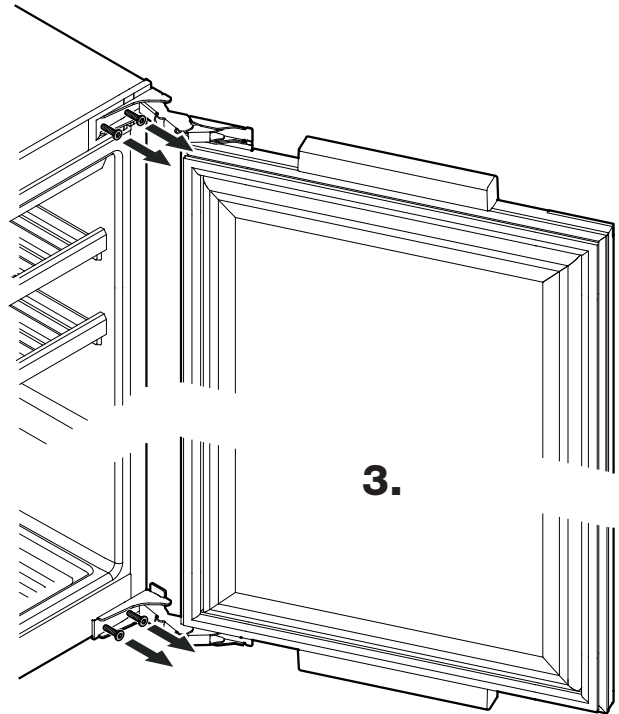
3. Remove the door.

The door must now be held secure by somebody.

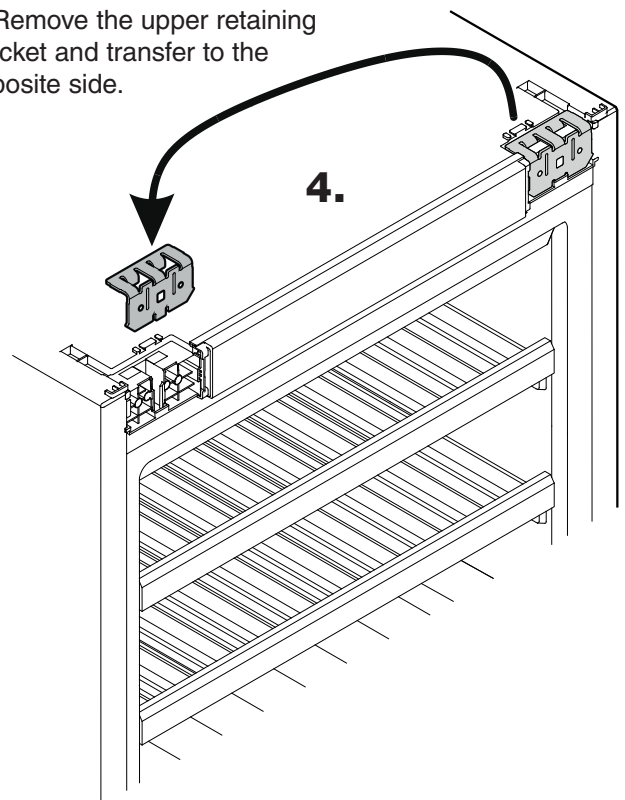
CAUTION!

Risk of injury if hinges fold!

- Leave hinges open.

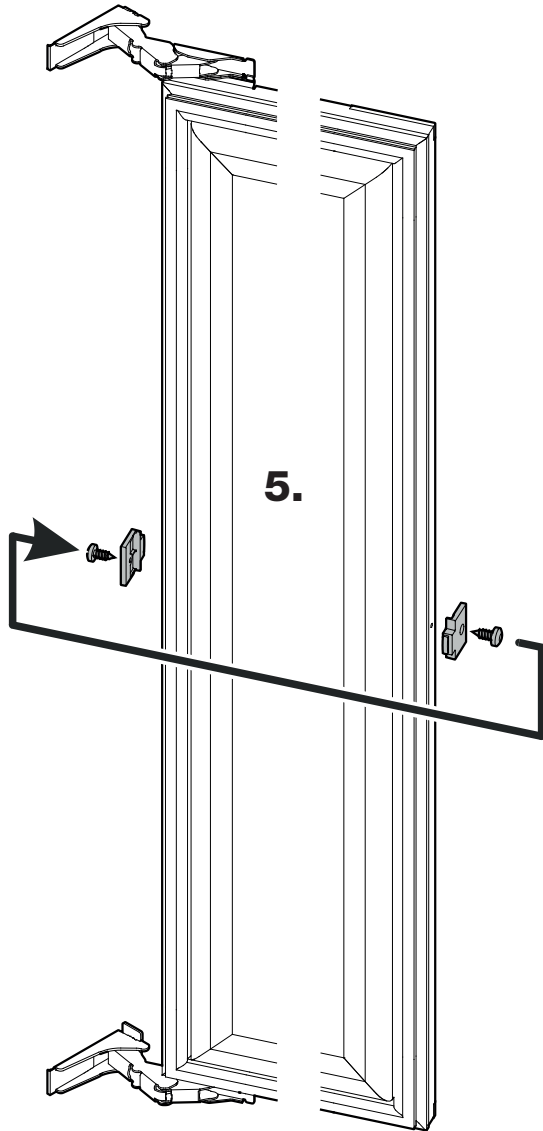


4. Remove the upper retaining bracket and transfer to the opposite side.

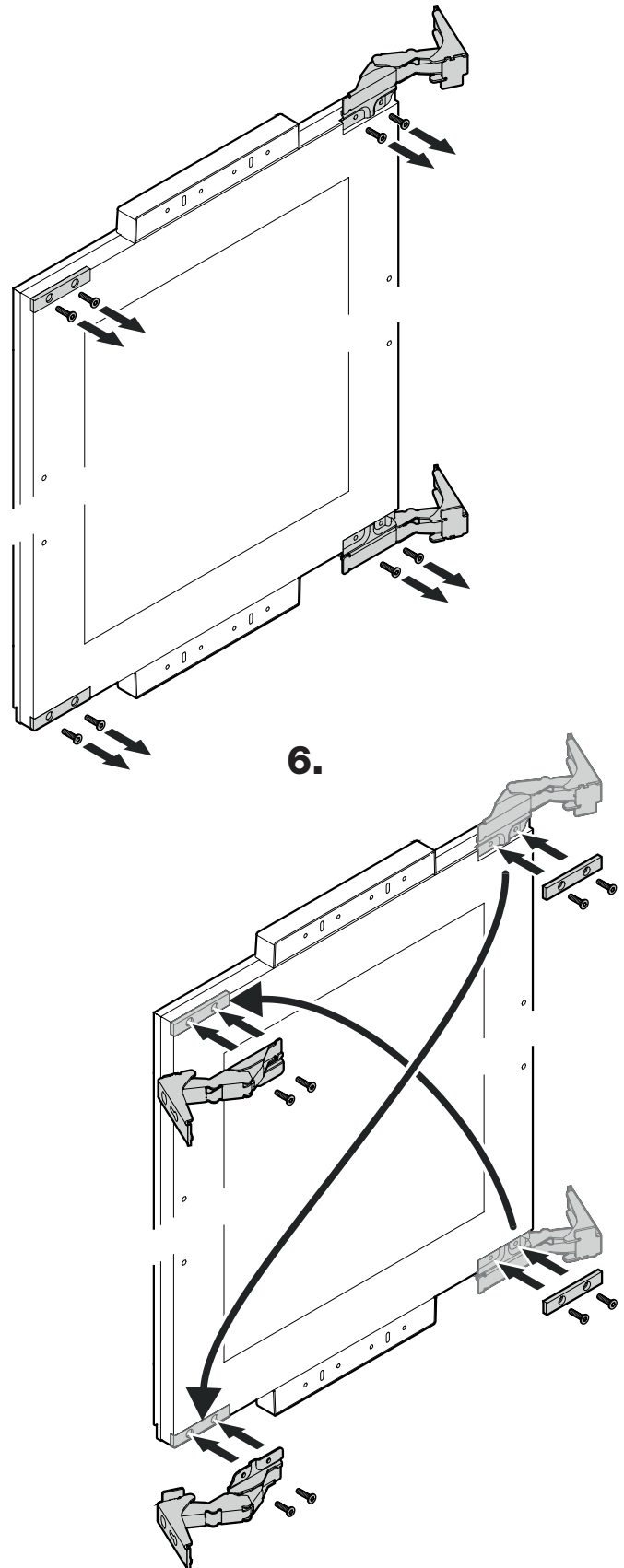


CHANGING OVER DOOR HINGES

5. Transfer the stop to the opposite side.



6. Unscrew hinges and covers and re-fit on the opposite side at diagonals to the original position.

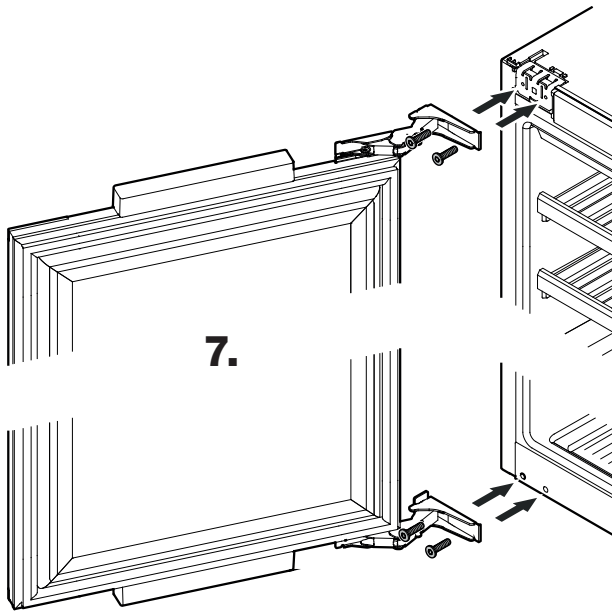


CHANGING OVER DOOR HINGES

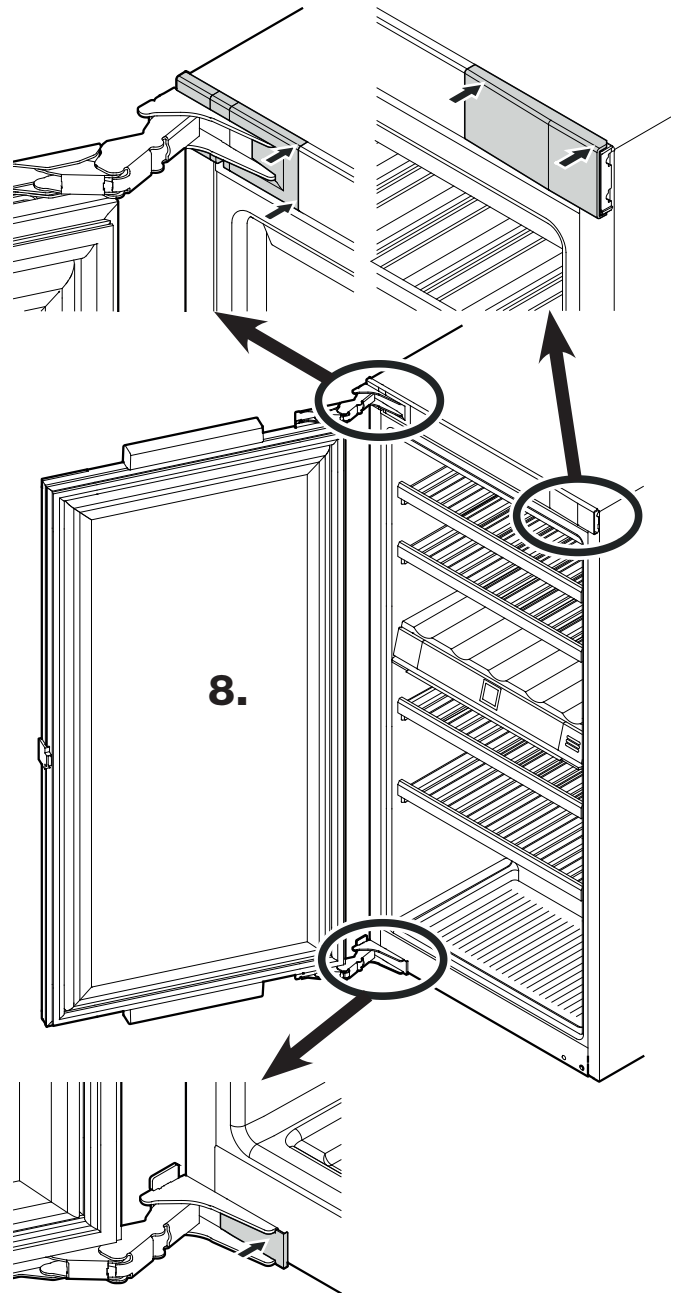
7. Fit the door on the appliance.

Notice

The door must now be held secure by somebody.



8. Fit covers and click into place.



Check that the door is securely fitted to the appliance and closes properly.

For Service in the U.S.

Liebherr Service Center

Toll Free: **1-866-LIEBHER** or **1-866-543-2437**

Email: Service-appliances.us@liebherr.com

PlusOne Solutions, Inc.

3501 Quadrangle Blvd, Suite 120

Orlando, FL 32817

For Service in Canada

Liebherr Service Center

Toll Free: **1-888-LIEBHER** or **1-888-543-2437**

www.euro-parts.ca

EURO-PARTS CANADA

39822 Belgrave Road

Belgrave, Ontario, N0G 1E0

Phone: (519) 357-3320

Fax: (519) 357-1326



www.liebherr-appliances.com